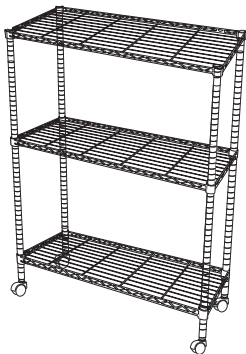


amazonbasics



### 3-Shelf Shelving Unit on Wheels - Black

Unité De Rayonnage à 3 Étagères Montée Sur Des Roues - Noire

Regal auf Rollen mit 3 Regalböden - Schwarz

Scaffale a 3 Ripiani Su Ruote - Nero

Módulo De 3 Estantes Con Ruedas - Negro

3段 キャスター付きシェルフユニット、黒

3层滚轮置物架 - 黑色

**B01LYZ7U4I**

English

Français

Deutsch

Italiano

Español

日本語

中文

English .....	3
Français .....	12
Deutsch.....	21
Italiano .....	30
Español .....	39
日本語.....	48
中文 .....	57

# Welcome Guide • English

English

Français

Deutsch

Italiano

Español










日本語

中文

## 3-Shelf Shelving Unit on Wheels - Black

### Contents:

Make sure that the package contains the following parts:

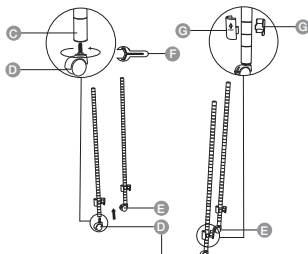
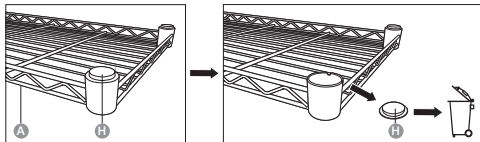
Part		Qty.
A		3
B		4
C		4
D		2
E		2
F		1
G		12
H		8
I		4

**Note:** Discard the protective covers . These are used to separate the shelves for shipping purposes.

# Assembly

## Step 1:



### Setting Up the Product

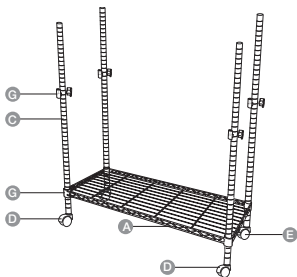


- Remove the protective covers **H** from the shelves **A** and dispose of them.
- Screw one wheel **D / E** into the bottom of each lower pole **C** and fasten it using the wrench **F**. Position them as shown in the illustration.
- If preferred, leveling feet **I** can be used instead of wheel for a static shelving unit. Remove all items from shelving units and disassemble shelving unit before switching between wheel and leveling feet.
- Attach one half of the plastic sleeve **G** to each lower pole. Then attach the other half of the plastic sleeve to each lower pole, so both halves are connected with each other. The arrow above the **TOP** marks on the plastic sleeves should point upwards. Four plastic sleeves are necessary to support one shelf.

# Assembly

## Step 2: Setting Up the Product

	Brakes engaged
	Brakes not engaged



- Put the first shelf **A** onto the poles **C** and lower it down until it rests on the plastic sleeves **G**. **Note:** Poles connected to wheel with brakes **E** should be placed at the back, poles connected to wheel without brakes **D** should be placed at the front of the assembly (as shown above).
- Attach another set of plastic sleeves to each lower pole for the second shelf from the bottom.

English

Français

Deutsch

Italiano

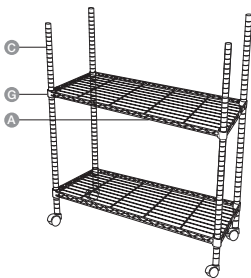
Español

日本語

中文

# Assembly

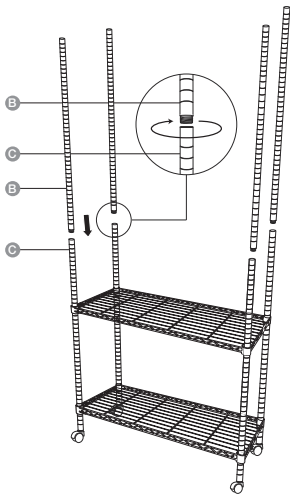
## Step 3: Setting Up the Product



- Put the next shelf **A** onto the poles **C** and lower it down until it rests on the plastic sleeves **B**.

# Assembly

## Step 4: Setting Up the Product



- Screw the upper poles **B** onto the lower poles **C** in a clockwise direction.

English

Français

Deutsch

Italiano

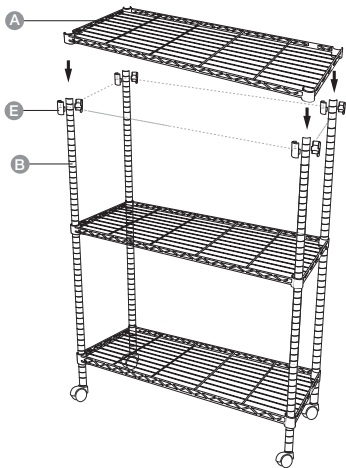
Español

日本語

中文

# Assembly

## Step 5: Setting Up the Product



- Attach one set of plastic sleeves **E** to the upper poles **B**.
- Put the last shelf **A** onto the poles **B** and lower it down until it rests on the plastic sleeves **E**.

# Cleaning and Maintenance

- Wipe with a dry cloth as needed to remove dust and dirt.
- Avoid contact with corrosive substances like acids, alkaline or similar substances.

## Safety and Compliance

- **Warning:** Do not let children climb on or play with the unit.
- Handle with care.
- For ease and efficiency, the product should be assembled by two adults.
- Regularly check if all screw connections are tight and if all shelves are attached in a stable way.
- To avoid scratching the floor, assemble the shelving unit on a soft surface such as a carpet.
- **Warning:** Make sure not to drill into water or electricity lines when securing the shelving unit on the wall.  
Use a wire tracer and/or a water pipe finder if necessary.
- Load the unit evenly and place the heaviest items on the lower shelves.

## Specifications

Maximum Load	US Standard		Metric
Shelving unit with wheel	Static	220 lbs	100 kg
	In motion	150 lbs	68 kg
One single shelf with wheel		73 lbs	33 kg
Shelving unit with leveling feet	Static	750 lbs	340 kg
One single shelf with leveling feet	Static	250 lbs	113.6 kg

English

Français

Deutsch

Italiano

Español

日本語

中文

# Warranty Information

To obtain a copy of the warranty for this product:



Visit [amazon.com/AmazonBasics/Warranty](https://amazon.com/AmazonBasics/Warranty)

— or —



Contact Customer Service at 1-866-216-1072

# Feedback

## Love it? Hate it?

Let us know with a customer review.

---

AmazonBasics is committed to delivering customer-driven products that live up to your high standards. We encourage you to write a review sharing your experiences with the product.

Please visit: [amazon.com/review/review-your-purchases#](https://www.amazon.com/review/review-your-purchases#)



---

For further services:



Visit [amazon.com/gp/help/customer/contact-us](https://www.amazon.com/gp/help/customer/contact-us)

— or —



Contact Customer Service at 1-866-216-1072

English

Français

Deutsch

Italiano

Español

日本語

中文