



Ozeri

DUAL ZONE CERAMIC Heater and Fan

Model No: OZH1

INSTRUCTION MANUAL AND WARRANTY

Copyright 2014, Ozeri

GENERAL SAFETY

Thank you for purchasing the Ozeri Dual Zone Ceramic Heater and Fan. This product has passed extensive quality assurance tests for residential use. Every care has been taken to ensure that it reaches you in perfect condition.

Warning: When using electric appliances, basic safety precautions should be followed to reduce the risk of fire, electric shock and personal injury, including (but not limited to) the following:

Read all these instructions before attempting to operate this product and save these instructions for future reference:

IMPORTANT SAFETY INSTRUCTIONS

BEFORE USING THIS APPLIANCE READ ALL INSTRUCTIONS AND CAUTIONARY MARKINGS IN THIS MANUAL AND ON THE APPLIANCE

When using an electrical appliance, basic precautions should always be followed, including the following:

WARNING

THE HEATER AND THE REMOTE CONTROL BOTH CONTAIN MAGNETS:

- Pacemakers and defibrillators may be affected by strong magnetic fields. If you or someone in your household has a pacemaker or defibrillator, avoid placing the remote control in a pocket or near the device.
- Credit cards and electronic storage media may also be affected by magnets and should be kept away from the remote control and the top of the heater.

TO REDUCE THE RISK OF FIRE, ELECTRIC SHOCK OR INJURY:

- This heater is hot when in use and for a short period after use. To avoid burns, do not let bare skin touch hot surfaces. When moving the heater, hold it by the base, not the air loop amplifier.
- Keep combustible materials, such as furniture, pillows, bedding, papers, clothes and curtains, at least 3 feet (0.9 m) from the front of the heater and keep them away from the sides and rear when the heater is plugged in.
- Extreme caution is necessary when any heater is used by or near children or infirm persons and whenever the heater is left operating and unattended.
- Do not allow to be used as a toy. Close attention is necessary when used by or near young children. Children should be supervised to ensure that they do not play with the heater or remote control.
- This heater and remote control are not intended for use by young children or infirm persons with reduced physical, sensory or reasoning capabilities, or lack of experience and knowledge, unless they have been given supervision or instruction by a responsible person concerning use of the heater to ensure that they can use it safely.

- The base must be fitted securely before operating. Do not dismantle or use without the base fitted.
- Suitable for dry locations ONLY. Do not use outdoors or on wet surfaces. Do not use in bathrooms, laundry areas and similar indoor locations. Never locate the heater where it may fall into a bath or other water container. Do not use or store where it may get wet or in the immediate surroundings of a bath, a shower or a swimming pool.
- A heater has hot parts inside. Do not use it in areas where gasoline, paint, or flammable liquids are used or stored or where their vapors are present. Do not use in conjunction with or directly next to an air freshener or similar product.
- Do not locate directly below a main electricity supply outlet.
- Always plug directly into a wall outlet. Never use with an extension cord or relocateable power tap (outlet/power strip) as overloading may result in the cord overheating and catching fire.
- Do not handle any part of the plug or heater with wet hands.
- Do not unplug by pulling on the cord. To unplug, grasp the plug, not the cord.
- Do not stretch the cord or place the cord under strain. Do not run the cord under carpeting. Do not cover the cord with throw rugs, runners, or similar coverings. Do not route the cord under furniture or appliances. To avoid a tripping hazard arrange the cord away from traffic area so that it will not be tripped over.
- Do not use with a damaged cord or plug. If the supply cord is damaged it must be replaced by an Ozeri service agent or similarly qualified persons in order to avoid a hazard.
- To disconnect the heater, turn the controls off, then remove the plug from the outlet. Always unplug the heater when not in use.
- Do not use if the heater malfunctions or has been dropped or damaged in any manner. Contact the Ozeri Helpline or return to an authorized service facility for examination and/or repair.
- To prevent a possible fire, do not use with any opening or exhaust blocked, and keep free of dust, lint, hair, and anything that may reduce airflow. Do not put any object into the inlet grill or the exhaust opening as this may cause an electric shock or fire, or damage the heater.
- Do not use on soft surfaces, such as a bed, where openings may become blocked.
- Use only as described in this Ozeri Operating Manual. Any other use not recommended by the manufacturer may cause fire, electric shock, or injury to persons.
- In order to avoid overheating and fire hazard, do not cover the heater.
- Choking hazard: the remote control unit contains a small battery. Keep the remote control away from children and do not swallow the battery. If the battery is swallowed, seek medical advice at once.
- Check your heater cord and plug connections. A loose fitting outlet can cause the plug to overheat and/or cause a fire. Be sure the plug fits tight in the outlet. Check frequently during use to make sure plug and outlet are not hot. If so, discontinue using heater and have outlet replaced by a qualified electrician. Note: Heaters draw more current than small appliances, overheating of the outlet may occur even if it has not occurred with the other appliances.
- The heater should be positioned so the airflow is directed away from any walls or room corners.

IMPORTANT SAFETY FEATURES

For your safety this heater is fitted with automatic cut-out switches that operate if the heater tips over or overheats. If the switches operate, unplug the heater and allow it to cool. Before restarting the heater check and clear any blockages and ensure the heater is on a solid level surface.

It is normal for the plug to feel warm to the touch; however, if there is a loose fit between the plug and the outlet or the plug becomes very hot, the outlet may need to be replaced. Check with a qualified electrician to replace the outlet.

READ AND SAVE THESE INSTRUCTIONS

THIS APPLIANCE IS INTENDED FOR HOUSEHOLD USE ONLY

POLARIZATION INSTRUCTIONS

This heater has a polarized plug (one blade is wider than the other). To reduce the risk of electric shock, this plug is intended to fit in a polarized outlet only one way. If the plug does not fit fully in the outlet, reverse the plug. If it still does not fit, contact a qualified electrician. Do not attempt to defeat this safety feature.

TECHNICAL SPECIFICATIONS

Model	OZH1
Name	Ultra-thin heater
Voltage / Frequency	120V / 60Hz
Power	Low:800W / High:1500W
Wind speed	≥ 1.3 m/s
Oscillation	76°
Timer	1-12 hours
Noise level	≤50dB (1m distance)
Tip-over Protection	40 ± 10°
Size	Ø260*845 mm
Net Weight	4.3 kg
Gross Weight	5.2 kg

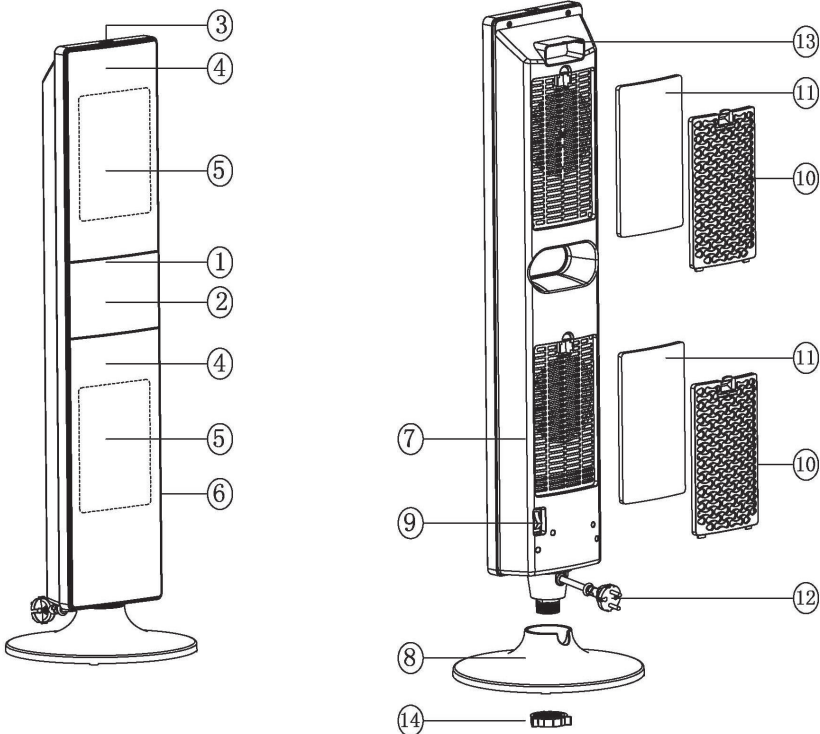
FEATURES

1. Ultra-thin profile with an elegant glass base that reduces accidental tip-over.
2. Dual PTC ceramic heating system that provides 2 independently controllable heating zones.
3. Room temperature range from 59°F to 95°F.
4. Intelligent thermostat adjusts output according to the ambient temperature.
5. Winter warming ceramic heating power of 800W (low) / 1500W (high).
6. Summer cooling fan function that provides refreshing air during hot summer periods.
7. New DC motor generates warming and cooling air with a lower noise coefficient.

- 8. Touch-button control panel with illuminating LCD and temperature display.
- 9. Extended range remote control.
- 10.76° oscillation with a programmable 12 hour timer (for both heater and fan functions).
- 11.Low and high speed settings (for both heater and fan functions).
- 12.Automatic overheat protection for both heating elements.
- 13.Automatic tip-over safety switch.
- 14.Dismountable dustproof filters allow for easy cleaning.
- 15.Easy-carry recessed handle.
- 16.Height of 85 cm / 33.5 inches.

COMPONENT LIST

- | | | | |
|-----------|---------------------|-----------|--------------|
| 1 | Operating Panel | 2 | LCD Display |
| 3 | Power Button | 4 | Grill |
| 5 | Air Outlets | 6 | Tower Body |
| 7 | Back Cover | 8 | Base Stand |
| 9 | Master Power Switch | 10 | Filter Cover |
| 11 | Filter | 12 | Power Cord |
| 13 | Carrying Handle | 14 | Locking Nut |



ASSEMBLY

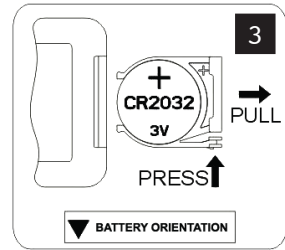
Unpack the fan and check that you have all of the components.

Unpack the heater and check that you have main heater, the glass base, and remote control unit. Place the main heater flat on the ground (laying on its side) and remove the locking nut from the bottom end. Connect the glass base onto the bottom, and secure together with the locking nut.

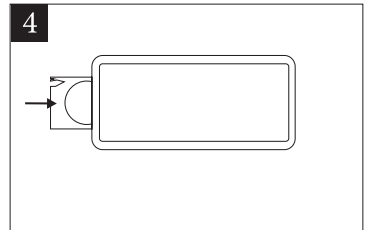
Note: Ensure the locking nut is firmly secured before standing the heater up on its base.

REPLACING BATTERY

Your remote control is powered by an included CR2032 Lithium battery. To replace the battery, pull out the battery holder and insert a new battery. Ensure that the polarity is correct and then insert the battery holder back into the remote control (Fig 3).



When the heater's power is on, the remote control can be used to operate the heater from up to 20 feet away. **Note: if there are two or more heaters within this distance, both will be operated by the same remote control. If the remote control will not be used for a long period of time, remove the batteries from the battery compartment.**



OPERATING THE HEATER

This heater and fan can be operated via the built-in touch control panel, and via the remote control device. Before using this device, read through and follow all safety warnings printed in this manual.

Control Panel Overview:

To use the built-in control panel, first press the master power switch located behind the fan towards the bottom (see point 9 on page 5). A deep sound will confirm that the master switch has been engaged. Then press the power button located at the top of the device (see point 3 on page 5). The following touch control buttons will illuminate on the control panel:

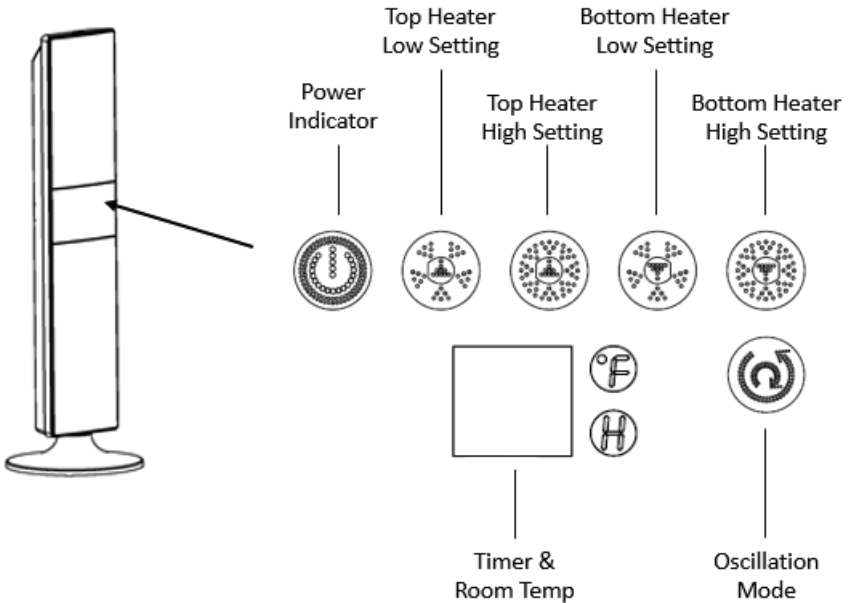


The following indicator icons will illuminate immediately above the control panel's touch buttons. The indicators icons will activate based on the settings you choose via the touch buttons.

Indicator Icon Overview:



Indicator Icon Functions:



Using the control panel's buttons, press Heater (1) to turn on the top heater, and Heater (2) to turn on the bottom heater.



Continue to press each to cycle through each heater's off, low and high settings. The following icons will appear:



Indicates the heater will release air at the low speed setting.



Indicates the heater will release air at the high speed setting.

To activate the heater's thermostat, press the Temp/Timer icon: **TEMP. TIMER**

The room temperature display will flash on the screen. Press the \oplus | \ominus press buttons to set the thermostat to your desired heating temperature. The heater will remain until it detects the room temperature equals the thermostat temperature.

- - To activate the fan without the heating element, press the minus to the lowest possible setting of 59°F, and then press the minus button one more time. The screen will show the following icon to confirm that it is in fan mode.

For maximum fan performance, ensure the Heater (1) and (2) are set to their high speed settings.

To activate the fan's timer, press the press the Temp/Timer icon again: **TEMP. TIMER**

In timer mode, instead of displaying the temperature, 0 H will flash on the LCD, indicating zero hours. Press the press \oplus | \ominus buttons to increase or decrease the timer in units of 1 hour, up to a maximum of 12 hours. The timer will stop flashing to indicate it is programmed, and keep the heater on until the number of hours chosen has passed. Note, changing the timer once it has started will reset it.



To engage the heater and fan's oscillation, press the SWING button on the far right side of the control panel. The following icon will appear to confirm that the device is in oscillation mode.

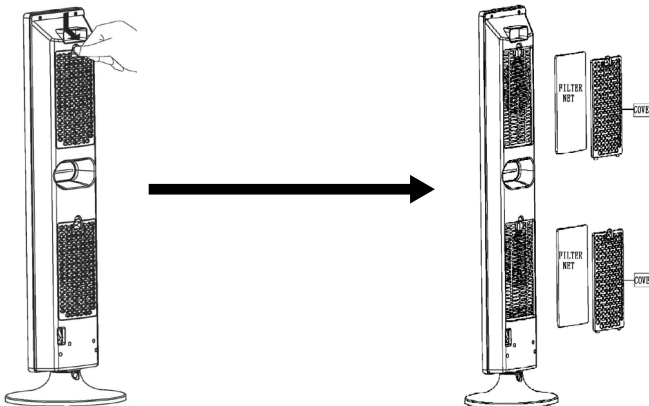


The device can also be controlled via the included remote control. The remote control has 7 buttons that perform the same function as the main control panel. When using the remote control, point it towards to the control panel in the middle of the heater.

MAINTENANCE

This devices features 2 removable air filters. The air filters are designed to capture dust and airborne dirt, and should be inspected and cleaned once a month, or as needed on a periodic basis. The accumulation of excess dust and dirt in the air filters can negatively affect the performance of this device. Before attempting to clean, always turn off the device by switching the master switch off on the back of the device first. Then unplug the device's power cord from the wall outlet.

1. Ensure that the above instructions were followed by turning off the fan and unplugging it from the outlet first.
2. Wipe the surface and outside of the device by using a damp soft cloth. Do not immerse in water and never use thinners or other cleaning solutions as these may damage the fan's surface appearance.
3. Remove and clean the filter covers first with a duster and then wipe away any excess dust with a damp soft cloth. Ensure that the filter covers are completely dry when finished.
4. Remove the air filters as shown in the following illustration. Clean the air filters by immersing them in clean water for several minutes. Ensure that the air filters are allowed to dry completely when finished.
5. Once thoroughly dried, place the cleaned air filters back into the device and assemble securely with the filter covers, as shown in the illustration below.



WARRANTY INFORMATION

Your Ozeri product is warranted to the original owner for 1 year from the date of purchase against defects in material and workmanship under normal use and service. Should your Ozeri product prove defective within 1 year from the date of purchase, return the defective product, freight prepaid along with your receipt and an explanation of the claim to "Ozeri." Please pack your Ozeri product carefully to avoid damages in transit. Under this warranty, Ozeri will repair or replace any parts found to be defective due to a manufacturer's defect. This warranty extends only to personal use and does not extend to any product that has been used for commercial use, rental use, or use which is not intended. There are no warranties other than that expressly set forth herein. This warranty is not transferable. Ozeri is not responsible in any way for damages, losses or inconveniences caused by equipment failure or by user negligence, abuse, or use not in accordance with the "User Guide" or any additional safety, use, or warnings included in the product materials. Further, Ozeri is not liable for incidental or consequential damages of any nature resulting from the use of this product and any liability shall not exceed the purchase price of the product.

This Warranty gives you specific legal rights. You may also have other rights which vary from state to state.

THIS WARRANTY DOES NOT APPLY TO THE FOLLOWING

- Damage due to accident, misuse, abuse, alterations or vandalism.
- Improper or inadequate maintenance.
- Unauthorized modification or commercial use.
- Damage in return transit
- Unsupervised use by children

Ozeri Customer Service:
Phone: 1-877-299-1296
Email: support@ozeri.com

(Ozeri™ and its subsidiaries assume no liability for damage caused by the use of this product other than for its intended use or as instructed above and in the User Manual.)