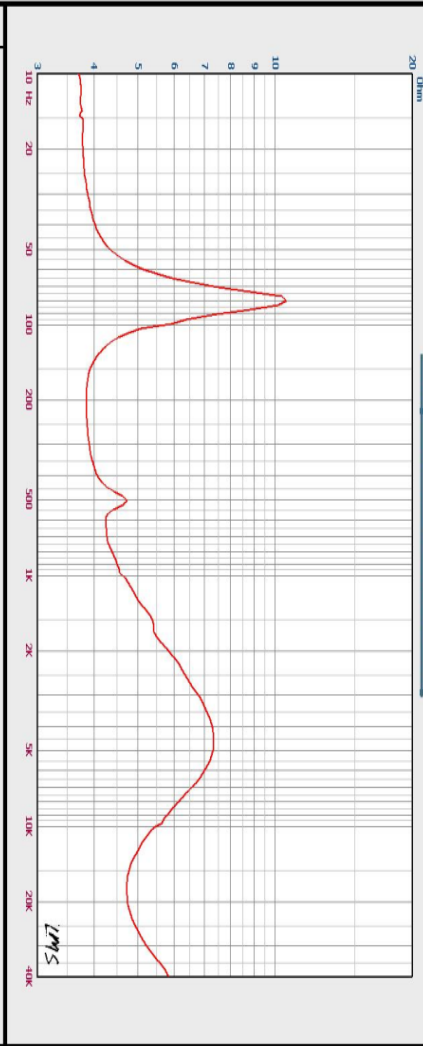
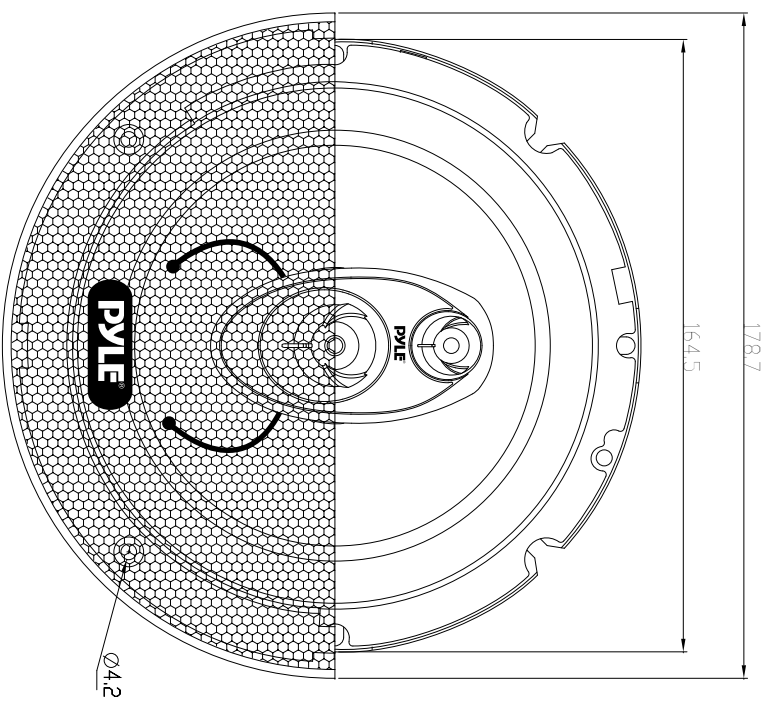


Impedance vs Freq

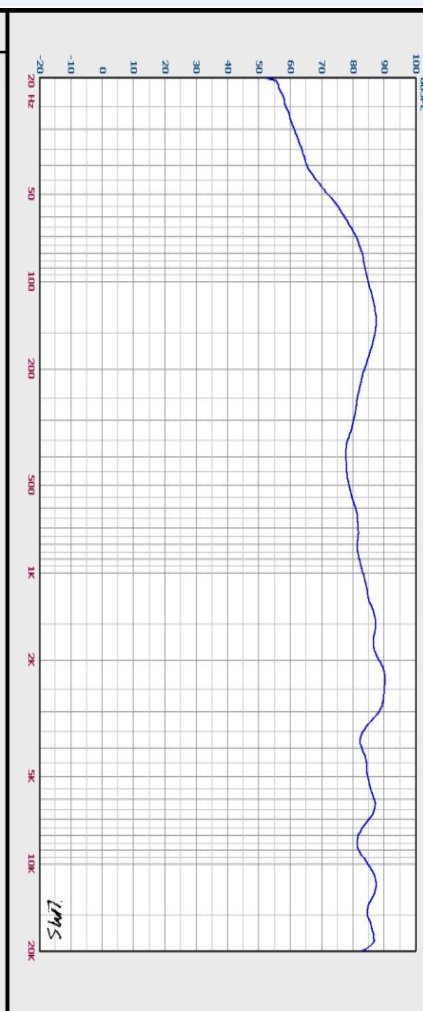


Notes	Map
<p>4.6.0.371 8/11-20-2007</p>	<p>10: P:050L: 80P</p>
<p>Person: [blank] Company: [blank]</p>	<p>Project: [blank] File: 828800</p>
<p>Jan 20, 2014 Fri 10:19 am</p>	<p>Jan 20, 2014 Fri 10:19 am</p>
<p>LINEAR X</p>	

F₀: 80HZ
 频宽: 80HZ-20KHZ



SPL vs Freq



Notes	Map
<p>4.6.0.371 8/11-20-2007</p>	<p>9: P:050L: SPL</p>
<p>Data measured: Jan 20, 2014, Fri 9:45 am</p>	<p>Project: [blank] File: 828800</p>
<p>Person: [blank] Company: [blank]</p>	<p>Jan 20, 2014 Fri 10:17 am</p>
<p>LINEAR X</p>	

dB: 85dB
 RMS: 40W

