



**THIS PRODUCT IS FOR OUTDOOR USE ONLY**  
ASSEMBLY, CARE & USE MANUAL / WARNING & SAFETY INFORMATION  
30" DIGITAL ELECTRIC SMOKER

**CE PRODUIT EST POUR UTILISATION  
EXTÉRIEURE SEULEMENT**  
MANUEL D'ASSEMBLAGE, D'ENTRETIEN  
ET D'UTILISATION / AVERTISSEMENTS ET  
INFORMATIONS RELATIVES À LA SÉCURITÉ  
30 " FUMOIR ÉLECTRIQUE NUMÉRIQUE

**ESTE PRODUCTO ES SOLAMENTE  
DE USO EN EXTERIORES**  
MANUAL DE ENSAMBLAJE, CUIDADO Y  
USO / INFORMACIÓN DE ADVERTENCIAS Y  
SEGURIDAD  
30 " AHUMADOR ELÉCTRICO DIGITAL

**Masterbuilt Manufacturing, Inc.**  
1 Masterbuilt Ct.  
Columbus, GA 31907  
Customer Service 1-800-489-1581

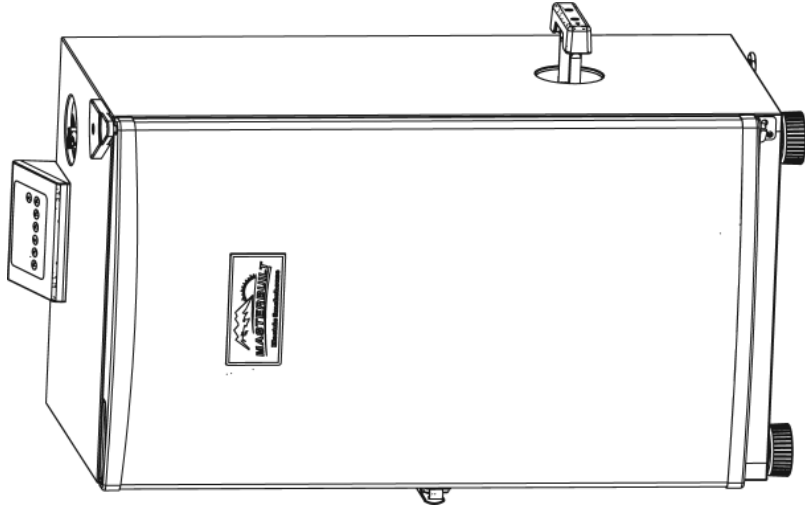
**Service à la clientèle 1-800-489-1581**

**Servicio de atención al cliente 1-800-489-1581**

[www.masterbuilt.com](http://www.masterbuilt.com)



Manual Code: 9807130035 151116-GB



Tools needed for assembly: Phillips Head Screwdriver

Approximate assembly time: 10 minutes \*Actual product may differ from picture shown

Outils nécessaires pour l'assemblage : Tournevis cruciforme

Temps nécessaire pour l'assemblage : environ 10 minutes \* Le produit réel peut différer de l'illustration

Herramientas requeridas para el ensamblaje: Destornillador Phillips o en cruz

Tiempo aproximado de ensamblaje: 10 minutos \*El producto real puede ser distinto de la imagen mostrada

## ! WARNING !

This manual contains important information necessary for the proper assembly and safe use of the appliance.

**Read and follow all warnings and instructions before assembling and using the appliance.**

Follow all warnings and instructions when using the appliance.

Keep this manual for future reference.

## ! CARBON MONOXIDE HAZARD !

**Burning wood chips gives off carbon monoxide, which has no odor and can cause death.**

**DO NOT burn wood chips inside homes, vehicles, tents, garages or any enclosed areas.**

Use only outdoors where it is well ventilated.

**Failure to follow these warnings and instructions properly could result in fire or explosion, which could cause property damage, personal injury, or death.**

## ! WARNING !

### CALIFORNIA PROPOSITION 65

1. Combustion by-products produced when using this product contain chemicals known to the State of California to cause cancer, birth defects, and other reproductive harm.
2. This product contains chemicals, including lead and lead compounds, known to the State of California to cause cancer, birth defects or other reproductive harm.  
Wash your hands after handling this product.

## ! GENERAL WARNINGS AND SAFETY INFORMATION !

### READ ALL INSTRUCTIONS

- Unit is for OUTDOOR USE ONLY.
- Never use inside enclosed areas such as patios, garages, buildings or tents.
- Never use inside recreational vehicles or on boats.
- Never operate unit under overhead construction such as roof coverings, carports, awnings, or overhangs.
- Never use unit as a heater (READ CARBON MONOXIDE HAZARD).
- Maintain a minimum distance of 10ft (3m) from overhead construction, walls, rails or other structures.
- Keep a minimum 10ft (3m) clearance of all combustible materials such as wood, dry plants, grass, brush, paper, or canvas.
- Keep appliance clear and free from combustible materials such as gasoline and other flammable vapors and liquids.
- Use unit on a level, non-combustible, stable surface such as dirt, concrete, brick or rock.
- Unit **MUST** be on the ground. Do not place unit on tables or counters. Do NOT move unit across uneven surfaces.
- Do not use unit on wooden or flammable surfaces.
- Do not leave unit unattended.
- Never use unit for anything other than its intended use. This unit is NOT for commercial use.

## WARNINGS & IMPORTANT SAFEGUARDS CONTINUED ON PAGE 2

## INFORMACIÓN DE LA GARANTÍA LIMITADA

Masterbuilt garantiza sus productos por defectos en materiales y mano de obra si se ensamblan correctamente, usan normalmente y se tienen los cuidados recomendados, por 90 días después de la compra original al minorista.

La garantía de Masterbuilt no cubre el acabado de pintura, ya que se puede quemar durante el uso normal. La garantía Masterbuilt no cubre la oxidación de la unidad.

Masterbuilt requiere una prueba de compra razonable para las reclamaciones de garantía, y le sugiere que conserve su factura. Una vez que expire la garantía, todas las responsabilidades cesan.

Dentro del periodo de garantía, Masterbuilt, a su discreción, reparará o reemplazará los componentes defectuosos sin costo, y los costos de transporte estarán a cargo del comprador. Si Masterbuilt solicita que le regresen los componentes en cuestión para inspección, Masterbuilt será responsable de los cargos por transporte de los elementos solicitados.

La garantía excluye los daños a la propiedad consecuencia del uso indebido, abuso, accidentes, daños durante el transporte, o daños como consecuencia del uso comercial de este producto.

*Esta garantía limitada es la única garantía que proporciona Masterbuilt, y reemplaza a todas las demás garantías, expresas o implícitas, incluyendo la garantía implícita, de comerciabilidad o idoneidad para un propósito en particular.*

Ni Masterbuilt ni los establecimientos minoristas que venden este producto tienen autorización para ofrecer garantías o prometer remedios o adiciones a esta, o inconsistencias con las enunciadas anteriormente.

La máxima responsabilidad de Masterbuilt, en cualquier caso, no podrá exceder el precio de compra pagado por el producto por el comprador o consumidor original. Algunos estados no permiten la exclusión o limitación de los daños incidentales o consecuentes. En tales casos, las anteriores limitaciones o exclusiones pueden no aplicar.

**Para residentes de California únicamente:** Si importar la limitaciones de la garantía, las siguientes restricciones específicas aplican: si el servicio, reparación o reemplazo del producto no es práctico comercialmente, el minorista que vende el producto o Masterbuilt deberán reembolsar el precio de compra pagado por el producto, restando el monto atribuible al uso que haya dado el comprador original con anterioridad a descubrir la inconformidad. El propietario puede llevar el producto al establecimiento minorista que le vendió el producto para hacer efectiva la garantía.

Esta garantía limitada le otorga derechos legales específicos, y usted también puede tener otros derechos, los cuales varían de estado en estado.



Liene el registro en línea en [www.masterbuilt.com](http://www.masterbuilt.com) o llene y envíe a:  
Warranty Registration Masterbuilt Mfg., Inc.  
<http://www.masterbuilt.com/>  
1 Masterbuilt Court - Columbus, GA 31907

Nombre: \_\_\_\_\_ Dirección: \_\_\_\_\_ Ciudad: \_\_\_\_\_

Estado / provincia: \_\_\_\_\_ Código postal: \_\_\_\_\_ Número de teléfono: ( ) - \_\_\_\_\_

Dirección de correo electrónico: \_\_\_\_\_

\*Número de modelo : \_\_\_\_\_ \* Número de serie: \_\_\_\_\_

Fecha de compra: \_\_\_\_\_ Lugar de compra: \_\_\_\_\_

\*Los números de serie y modelo se encuentran en la etiqueta plateada en la parte posterior de la unidad.

## INFORMATION SUR LA GARANTIE LIMITÉE

Masterbuilt garantit que ses produits sont exempts de défaut de matériel et de main-d'œuvre dans des conditions d'assemblage approprié, d'utilisation normale et d'entretien recommandé pendant 90 jours à compter de la date d'achat initiale du produit.

La garantie Masterbuilt ne couvre pas la couche de peinture de finition, car elle peut brûler dans des conditions normales d'utilisation. La garantie Masterbuilt ne couvre pas la présence de rouille sur l'appareil.

Masterbuilt demandera une preuve d'achat raisonnable en cas de réclamation en vertu de la garantie et recommande de conserver la facture. À l'expiration d'une telle garantie, cette responsabilité prend fin.

Durant la période couverte par la garantie, Masterbuilt, à son entière discrétion, réparera ou remplacera à titre gratuit les pièces défectueuses et c'est le propriétaire qui assumera les frais de livraison des pièces. Dans le cas où Masterbuilt demande de renvoyer la pièce en question à des fins d'inspection, Masterbuilt assume les frais d'expédition pour renvoyer l'article demandé.

*Cette garantie ne couvre pas les dégâts causés au matériel en raison d'une mauvaise utilisation, d'un usage abusif, d'un accident, de dommages survenant lors du transport ou de dommages encourus par l'utilisation commerciale de ce produit.*

Cette garantie énoncée est l'unique garantie donnée par Masterbuilt et remplace toute garantie, expresse ou implicite, y compris les garanties tacites de commercialisation et d'adéquation du produit particulier.

Ni Masterbuilt ni le magasin de détail qui vend ce produit ne sont autorisés à offrir des garanties supplémentaires ou à promettre quoi que ce soit qui dépasse ou qui contredise ce qui figure ci-dessus.

La responsabilité maximale de Masterbuilt, en tout état de cause, ne doit pas dépasser le prix d'achat du produit payé par le consommateur ou l'acheteur initial. Certains États n'autorisent pas l'exclusion ni la restriction des dommages indirects ou accessoires. Dans ce cas, les restrictions ou exclusions précédentes peuvent ne pas s'appliquer.

**Pour les résidents de l'État de la Californie exclusivement:** Malgré cette limitation de garantie, les restrictions spécifiques suivantes s'appliquent, si le service, la réparation ou le remplacement du produit s'avère commercialement impraticable, le revendeur du produit ou Masterbuilt remboursera le montant payé par l'acheteur et déduiront une somme directement proportionnelle à l'utilisation par l'acheteur initial avant la découverte de la non-conformité. Le propriétaire peut amener le produit au point de vente tenant ce produit pour obtenir une validité couverte par une garantie.

Cette garantie énoncée vous accorde des droits juridiques spécifiques et vous pouvez bénéficier d'autres droits qui varient selon les États.



Aller sur le site [www.masterbuilt.com](http://www.masterbuilt.com)  
ou remplir et renvoyer l'enregistrement de la garantie  
à l'attention de : Enregistrement de la garantie  
1 Masterbuilt Court - Columbus, GA 31907

Nom : \_\_\_\_\_ Adresse : \_\_\_\_\_ Ville: \_\_\_\_\_

État / province : \_\_\_\_\_ Code postal : \_\_\_\_\_ Numéro de téléphone : (\_\_\_\_) - \_\_\_\_\_

Adresse électronique : \_\_\_\_\_

\*Numéro de modèle : \_\_\_\_\_ \* Numéro de série: \_\_\_\_\_

Date d'achat : \_\_\_\_\_ - \_\_\_\_\_ - \_\_\_\_\_ Point de vente : \_\_\_\_\_

\* Le numéro de modèle et le numéro de série sont indiqués sur une étiquette argentée à l'arrière de l'appareil.

## ! GENERAL WARNINGS AND SAFETY INFORMATION !

### WARNINGS & IMPORTANT SAFEGUARDS CONTINUED FROM PAGE 1

- Keep a fire extinguisher accessible at all times while operating unit.
- Before each use check all nuts, screws and bolts to make sure they are tight and secure.
- Use of alcohol, prescription or non-prescription drugs may impair user's ability to properly assemble or safely operate unit.
- Keep children and pets away from unit at all times. Do NOT allow children to use unit. Close supervision is necessary should children or pets be in area where unit is being used.
- Do NOT allow anyone to conduct activities around unit during or following its use until it has cooled.
- Avoid bumping or impacting unit.
- Never move unit when in use. Allow unit to cool completely (below 115°F (45°C)) before moving or storing.
- The unit is HOT while in use and will remain HOT for a period of time afterwards and during cooling process. Use CAUTION. Wear protective gloves/mitts.
- Do not touch HOT surfaces.
- Do not use wood pellets.
- Never use glass, plastic or ceramic cookware in unit. Never place empty cookware in unit while in use.
- Accessory attachments not supplied by Masterbuilt Manufacturing, Inc. are NOT recommended and may cause injury.
- Wood tray is HOT when unit is in use. Use caution when adding wood.
- Be careful when removing food from unit. All surfaces are HOT and may cause burns.
- Use protective gloves or long, sturdy cooking tools.
- Always use unit in accordance with all applicable local, state and federal fire codes.
- Do not lift unit by rear handle.
- Dispose of cold ashes by placing them in aluminum foil, soaking with water and discarding in a non-combustible container.
- Do not store unit with HOT ashes inside unit. Store only when all surfaces are cold.
- When using electrical appliances, basic safety precautions should always be followed including the following:
  - Do not plug in electric smoker until fully assembled and ready for use.
  - Use only approved grounded electrical outlet.
  - Do not use during an electrical storm.
  - Do not expose electric smoker to rain or water at anytime.
  - To protect against electrical shock do not immerse cord, plug or control panel in water or other liquid.
- Do not operate any appliance with a damaged cord or plug, or after appliance malfunctions or has been damaged in any manner. Contact Masterbuilt Customer Service for assistance at 1-800-489-1581.
- Longer detachable power-supply cords or extension cords are available and may be used if care is exercised in their use.

### WARNINGS & IMPORTANT SAFEGUARDS CONTINUED ON PAGE 3

## ! GENERAL WARNINGS AND SAFETY INFORMATION !

### WARNINGS & IMPORTANT SAFEGUARDS CONTINUED FROM PAGE 2

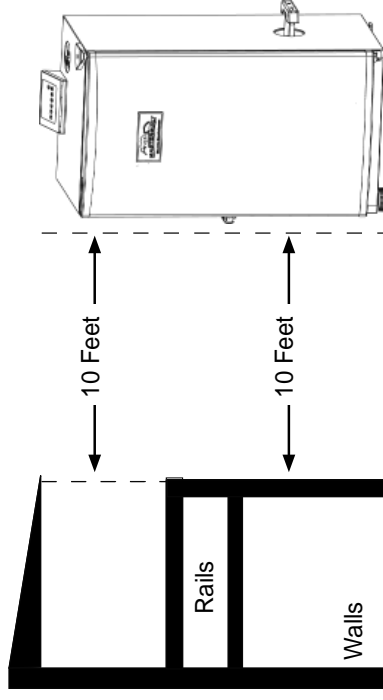
- If a longer detachable power-supply cord or extension cord is used: 1. The marked electrical rating of the cord set or extension cord should be at least as great as the electrical rating of the appliance; and 2. The cord should be arranged so that it will not drape over the counter top or tabletop where it can be pulled by children or tripped over unintentionally.
- The extension cord must be a grounding -type 3-wire cord.
- Outdoor extension cords must be used with outdoor use products and are marked with suffix "W" and with the statement "Suitable for Use with Outdoor Appliances."
- CAUTION - To reduce the risk of electric shock, keep extension cord connection dry and off the ground.
- Do not let cord hang on or touch hot surfaces.
- Do not place on or near a hot gas or electric burner, or in a heated oven.
- Fuel, such as charcoal briquettes or heat pellets, are not to be used in electric smoker.
- To disconnect, turn control panel "OFF" then remove plug from outlet.
- Unplug from outlet when not in use and before cleaning. Allow unit to cool completely before adding/removing racks, drip tray or water bowl.
- Drip tray is only for the bottom of electric smoker. Do not put drip tray on rack. This may damage electric smoker.
- Do not cover racks with metal foil. This will trap heat and cause severe damage to electric smoker.
- Do not clean this product with a water sprayer or the like.

### SAVE THESE INSTRUCTIONS

## STRUCTURAL PROXIMITY AND SAFETY USAGE RECOMMENDATIONS

REMINDER:  
NEVER OPERATE THIS SMOKER UNDER ANY OVERHEAD CONSTRUCTION.  
MAINTAIN A MINIMUM DISTANCE OF 10 FEET FROM OVERHEAD CONSTRUCTION, WALLS OR RAILS.

Overhead Construction



! WARNING:  
ELECTRIC POWER CORD IS  
A TRIP HAZARD !

## LIMITED WARRANTY INFORMATION

Masterbuilt warrants its products to be free from defects in material and workmanship under proper assembly, normal use and recommended care for 90 days from the date of original retail purchase.

Masterbuilt warranty does not cover paint finish as it may burn off during normal use.

Masterbuilt warranty does not cover rust of the unit.

Masterbuilt requires reasonable proof of purchase for warranty claims and suggests that you keep your receipt. Upon the expiration of such warranty, all such liability shall terminate.

Within the stated warranty period, Masterbuilt, at its discretion, shall repair or replace defective components free of charge with owner being responsible for shipping. Should Masterbuilt require return of component(s) in question for inspection Masterbuilt will be responsible for shipping charges to return requested item.

This warranty excludes property damage sustained due to misuse, abuse, accident, damage arising out of transportation, or damage incurred by commercial use of this product.

*This expressed warranty is the sole warranty given by Masterbuilt and is in lieu of all other warranties, expressed or implied including implied warranty, merchantability, or fitness for a particular purpose.*

Neither Masterbuilt nor the retail establishment selling this product, has authority to make any warranties or to promise remedies in addition to or inconsistent with those stated above.

Masterbuilt's maximum liability, in any event, shall not exceed the purchase price of the product paid by the original consumer/ purchaser. Some states do not allow the exclusion or limitation of incidental or consequential damages. In such a case, the above limitations or exclusions may not be applicable.

**California residents only:** Notwithstanding this limitation of warranty, the following specific restrictions apply: if service, repair, or replacement of the product is not commercially practical, the retailer selling the product or Masterbuilt will refund the purchase price paid for the product, less the amount directly attributable to use by the original buyer prior to the discovery of the nonconformity. Owner may take the product to the retail establishment selling this product in order to obtain performance under warranty.

This expressed warranty gives you specific legal rights, and you may also have other rights which vary from state to state.



Go Online [www.masterbuilt.com](http://www.masterbuilt.com)  
or complete and return to  
Attn: Warranty Registration  
Masterbuilt Mfg., Inc.  
1 Masterbuilt Court - Columbus, GA 31907

Name: \_\_\_\_\_ Address: \_\_\_\_\_ City: \_\_\_\_\_

State/Province: \_\_\_\_\_ Postal Code: \_\_\_\_\_ Phone Number: (\_\_\_\_) - \_\_\_\_\_

E-mail Address: \_\_\_\_\_

\*Model Number: \_\_\_\_\_ \*Serial Number: \_\_\_\_\_

Purchase Date: \_\_\_\_ - \_\_\_\_ - \_\_\_\_ Place of Purchase: \_\_\_\_\_

\*Model Number and Serial Number are located on silver label on back of unit.

## GUÍA DE SOLUCIÓN DE PROBLEMAS

SÍNTOMA	CAUSA	SOLUCIÓN POSIBLE
La luz de encendido no se activa	El controlador no está conectado a un tomacorriente de pared El fusible de la casa está abierto	Revise la conexión al tomacorriente de la pared Verifique que otros aparatos no estén funcionando en el mismo circuito eléctrico. Revise los fusibles de la casa.
Toma demasiado tiempo el calentar la unidad (más de 60-70 min)	Funcionamiento incorrecto del controlador La unidad está conectada a un cordón eléctrico de prolongación La puerta no está correctamente cerrada Funcionamiento incorrecto del controlador	Comuníquese con Masterbuilt llamando al 1.800.489.1581 Coloque la unidad de manera que no sea necesario usar un cordón de prolongación Cierre la puerta y coloque bien el seguro Comuníquese con Masterbuilt llamando al 1.800.489.1581
Durante el funcionamiento, hay un espacio abierto entre la puerta y el ahumador y no es posible ajustar más el cerrojo de la puerta.	Alineación de la puerta La junta de la puerta está dañada	Comuníquese con Masterbuilt llamando al 1.800.489.1581
Gotea grasa del ahumador por la puerta y por las patas	El colector de residuos no está en su lugar Hay exceso de grasa o acumulación de aceite en la unidad El tubo de drenaje no drena	Cambie la posición de manera que el orificio quede alineado con el orificio de drenaje ubicado en el fondo de la unidad Limpie la unidad Controle el tubo de drenaje
No humea	No hay trocitos de madera	Agregue trocitos de madera
La temperatura desciende rápidamente, o el equipo deja de funcionar después de algunas horas de uso	Unidad de control defectuosa	Comuníquese con Masterbuilt llamando al 1.800.489.1581
El controlador muestra un mensaje de error	Funcionamiento incorrecto del controlador	Comuníquese con Masterbuilt llamando al 1.800.489.1581
La luz de encendido está activada pero la unidad no se está calentando	Funcionamiento incorrecto del controlador/la unidad	Comuníquese con Masterbuilt llamando al 1.800.489.1581
El controlador no regula el calor	Funcionamiento incorrecto del controlador/la unidad	Comuníquese con Masterbuilt llamando al 1.800.489.1581

## LET'S GET STARTED!

- This is a slow smoker... allow sufficient time for cooking. Smoker is for **OUTDOOR USE ONLY**.
- "Pre-season" smoker prior to first use. See page 23.
- Pre-heat smoker for 30 to 45 minutes at max temperature before loading food.
- **DO NOT** cover racks with aluminum foil as this will not allow heat to circulate properly.
- Do not overload smoker with food. Extra large amounts of food may trap heat, extend cooking time and cause uneven cooking. Leave space between food on racks and smoker sides to ensure proper heat circulation. If utilizing cooking pans, place pans on center of rack to ensure even cooking. Never use glass, plastic or ceramic cookware in unit. Please see manual for more detail.
- Store smoker in a dry area after use.
- Extreme cold temperatures may extend cooking times.
- **CLEAN AFTER EVERY USE**. This will extend the life of your smoker and prevent mold and mildew.

## ENJOY!

## HOW TO CLEAN SMOKER

- For rack supports, racks, water bowl and drip pan use a mild dish detergent. Rinse and dry thoroughly.
- For wood chip tray and wood chip loader, clean frequently to remove ash build up, residue and dust.
- Dispose of cold ashes by placing them in aluminum foil, soaking with water and discarding in a non-combustible container.
- For the interior and exterior of smoker simply wipe down with a damp cloth. Do not use a cleaning agent. Make sure to dry thoroughly.
- Door seal and inside seam that seal attaches to **MUST** be cleaned with a damp cloth after each use to keep seal in proper working condition.

## ALWAYS MAKE SURE UNIT IS COOL TO THE TOUCH BEFORE CLEANING AND STORING.

## **AVERTISSEMENT**

Ce manuel contient des informations qui sont nécessaires pour une utilisation sûre et appropriée de cet appareil.

Lisez et suivez la totalité des avertissements et des instructions fournis avant d'assembler et d'utiliser l'appareil.

Suivez la totalité et des instructions lors de l'utilisation de l'appareil.

Conservez ce manuel pour référence ultérieure.

## **DANGER LIÉ AU MONOXYDE DE CARBONE**

La combustion de copeaux de bois dégage du monoxyde de carbone qui n'a pas d'odeur et peut causer la mort.

**NE brûlez PAS de copeaux de bois à l'intérieur d'habitations, de véhicules, de tentes, de garages ou d'espaces fermés.**

Utilisez uniquement à l'extérieur avec de bonnes conditions de ventilation.

Le non-respect de ces avertissements et de ces instructions pourrait entraîner un incendie ou une explosion pouvant causer des dommages matériels, des blessures ou la mort.

## **AVERTISSEMENT**

### PROPOSITION 65 DE LA CALIFORNIE

1. Les sous-produits de combustion émis lors de l'utilisation de cet appareil contiennent des produits chimiques considérés par l'État de Californie comme provoquant des cancers, des malformations congénitales et d'autres troubles de la reproduction.
2. Ce produit contient des produits chimiques, notamment du plomb et des composés de plomb, considérés par l'État de Californie comme provoquant des cancers, des malformations congénitales et d'autres troubles de la reproduction.  
Lavez-vous les mains après avoir manipulé ce produit.

## **AVERTISSEMENTS ET INFORMATIONS RELATIVES À LA SÉCURITÉ GÉNÉRAUX**

### **LISEZ TOUTES LES INSTRUCTIONS**

- Pour une UTILISATION EN EXTÉRIEUR UNIQUEMENT.
- Ne jamais utiliser l'appareil dans un lieu fermé, tel qu'un patio, un garage, un édifice ou une tente.
- Ne jamais utiliser l'appareil à l'intérieur de véhicules récréatifs ou de bateaux.
- Ne jamais faire fonctionner l'appareil sous une structure surélevée telle qu'une couverture, un abri d'auto, une marquise ou un porte-à-faux.
- Ne jamais utiliser l'appareil comme système de chauffage (LIRE LE DANGER LIÉ AU MONOXYDE DE CARBONE).
- Gardez une distance minimale de 3 m (10 pi) entre l'appareil et une structure surélevée, un mur, une rampe ou une autre installation quelconque.
- Gardez une distance minimale de 3 m (10 pi) entre l'appareil et tout matériau combustible tel que le bois, les plantes sèches, le gazon, la broussaille, le papier ou la toile.
- Gardez l'appareil à distance et libre de tout matériau combustible tel que de l'essence ou tout autre liquide ou gaz inflammable.

### **AVERTISSEMENTS ET INFORMATIONS RELATIVES À LA SÉCURITÉ SUITE À LA PAGE 6**

## **GUIDE DE DÉPANNAGE**

SYMPTÔME	CAUSE	SOLUTION POSSIBLE
Le voyant d'alimentation ne s'allume pas	Pas branché dans la prise murale	Vérifiez le branchement mural
	Le fusible a sauté	Assurez-vous que les autres appareils ne fonctionnent pas sur le même circuit électrique. Vérifiez les fusibles.
L'appareil prend trop de temps pour chauffer (plus de 60 à 70 min)	Contrôleur défectueux	Contactez Masterbuilt au 1.800.489.1581
	Appareil branché au moyen d'une rallonge	Placez l'appareil de telle façon qu'une rallonge n'est pas nécessaire
	La porte ne ferme pas correctement	Fermez la porte et fixez solidement le verrou
	Contrôleur défectueux	Contactez Masterbuilt au 1.800.489.1581
Il y a un écart entre la porte et le fumoir lors de l'utilisation et il n'est pas possible d'ajuster davantage le verrou	Alignement de la porte	Contactez Masterbuilt au 1.800.489.1581
	Le joint de la porte est détérioré	
Fuite de graisse en dehors du fumoir, entre la porte et les pieds	Le bac de récupération n'est pas en place	Repositionnez de sorte que le trou s'aligne à l'orifice de vidange dans le bas de l'appareil
	Excès de graisse ou accumulation d'huile dans l'appareil	Nettoyez l'appareil
	Le tube de drainage ne permet pas de drainer	Vérifiez le tube de drainage
Aucune fumée	Aucuns copeaux de bois	Ajoutez des copeaux de bois
La température baisse rapidement, ou l'appareil s'éteint après quelques heures d'utilisation	Contrôleur défectueux	Contactez Masterbuilt au 1.800.489.1581
Contrôleur affichant un message d'erreur	Contrôleur défectueux	Contactez Masterbuilt au 1.800.489.1581
Le voyant d'alimentation est allumé mais l'appareil ne chauffe pas	Contrôleur/appareil défectueux	Contactez Masterbuilt au 1.800.489.1581
Le contrôleur ne permet pas de régler la chaleur	Contrôleur/appareil défectueux	Contactez Masterbuilt au 1.800.489.1581

## TROUBLESHOOTING GUIDE

SYMPTÔME	CAUSE	SOLUTION POSSIBLE
Power light won't come on	Not plugged into wall	Check wall connection
	House fuse tripped	Make sure other appliances are not operating on the same electrical circuit. Check household fuses.
	Controller malfunctioning	Contact Masterbuilt at 1.800.489.1581
Unit takes excessive amount of time to heat up (longer than 60-70 min)	Unit plugged into an extension cord	Set unit so an extension cord does not have to be used
	Door not closed properly	Close door and fasten latch securely
	Controller malfunctioning	Contact Masterbuilt at 1.800.489.1581
There is a gap between the door and the smoker when in use and door latch has no more adjustment	Door alignment	Contact Masterbuilt at 1.800.489.1581
	Damaged door seal	
	Drip pan not in place	Reposition so hole lines up with drain hole in bottom of unit
Grease is leaking out of smoker through door and legs	Excess grease or oil build-up in unit	Clean unit
	Drain tube is not draining	Check drain tube
	No wood chips	Add wood chips
Temperature rapidly decreased or shut down after few hours of use	Faulty control unit	Contact Masterbuilt at 1.800.489.1581
	Controller/unit malfunctioning	Contact Masterbuilt at 1.800.489.1581
	Controller displaying error message	Contact Masterbuilt at 1.800.489.1581
Power light is on, unit isn't heating	Controller/unit malfunctioning	Contact Masterbuilt at 1.800.489.1581
	Controller/unit malfunctioning	Contact Masterbuilt at 1.800.489.1581
Controller does not adjust heat	Controller/unit malfunctioning	Contact Masterbuilt at 1.800.489.1581

## AVERTISSEMENTS ET INFORMATIONS RELATIVES À LA SÉCURITÉ GÉNÉRAUX



### AVERTISSEMENTS ET INFORMATIONS RELATIVES À LA SÉCURITÉ SUITE DE LA PAGE 5

- Placez l'appareil sur une surface stable, plate et non combustible telle que la terre battue, le béton, la brique ou la pierre.
- L'appareil DOIT être posé au sol. Ne pas placer l'appareil sur une table ou un comptoir. Ne PAS déplacer l'appareil sur des surfaces inégales.
- Ne pas utiliser l'appareil sur des surfaces en bois ou inflammables.
- Ne pas laisser l'appareil sans surveillance.
- Utilisez l'appareil uniquement pour la fonction pour laquelle il a été conçu. NE PAS utiliser cet appareil à des fins commerciales.
- Conservez un extincteur accessible à tout moment pendant le fonctionnement de l'appareil.
- Avant toute utilisation, vérifiez la totalité des écrous, des vis et des boulons afin de vous assurer qu'ils sont bien serrés.
- La consommation d'alcool ou de médicaments, sous ordonnance ou en vente libre, peut affecter la capacité de l'utilisateur à assembler correctement l'appareil ou à le faire fonctionner de manière sûre.
- Gardez les enfants et les animaux à distance de l'appareil en tout temps. NE PAS laisser les enfants utiliser l'appareil. Une surveillance attentive est nécessaire si des enfants ou des animaux sont présents à proximité de l'appareil en cours d'utilisation.
- NE permettre à PERSONNE de mener des activités autour de l'appareil pendant ou après son fonctionnement, tant qu'il n'a pas refroidi.
- Évitez de cogner ou de frapper l'appareil.
- Ne jamais déplacer l'appareil pendant l'utilisation. Attendez que l'appareil ait refroidi complètement (température inférieure à 45 °C [115 °F]) avant de le déplacer ou de l'entreposer.
- L'appareil est CHAUD en cours d'utilisation et restera CHAUD pendant un certain délai ensuite et pendant le refroidissement. Faites ATTENTION. Portez des gants de protection.
- Ne touchez pas de surfaces CHAUDES.
- Ne pas utiliser de granules de bois,
- Ne jamais placer de verre, de plastique ni de céramique dans l'appareil. Ne pas mettre d'articles de cuisine vides dans l'appareil pendant son utilisation.
- L'utilisation d'accessoires non fournis par Masterbuilt Manufacturing, Inc. n'est PAS recommandée et peut provoquer des blessures.
- Le bac à bois est CHAUD quand l'appareil est en cours d'utilisation. Faites preuve de prudence lors de l'ajout de bois.
- Soyez prudent lorsque vous retirez des aliments de l'appareil. Toutes les surfaces sont CHAUDES et peuvent provoquer des brûlures. Utilisez des gants de protection ou des ustensiles de cuisine longs et résistants.
- Utilisez toujours l'appareil conformément à tous les codes d'incendie locaux, fédéraux et provinciaux applicables.
- Ne pas soulever l'appareil par sa poignée arrière.
- Mettez au rebut les cendres froides en les enveloppant dans une feuille d'aluminium, puis en trempant le tout dans de l'eau avant de le jeter dans un récipient non combustible.
- Ne pas ranger l'appareil avec des cendres CHAUDES présentes à l'intérieur. Procédez au rangement uniquement lorsque toutes les surfaces sont froides.
- Lorsque vous utilisez des appareils électriques, des précautions de sécurité de base doivent toujours être suivies, dont les suivantes :
  - Branchez le fumoir électrique uniquement lorsqu'il est complètement assemblé et prêt à l'emploi.
  - N'utilisez qu'une prise électrique mise à la terre approuvée.
  - Ne pas utiliser l'appareil pendant un orage électrique.
  - Ne jamais exposer le fumoir électrique à la pluie ou à l'eau.
  - Pour vous protéger contre les chocs électriques, ne pas immerger le cordon, les fiches ou une partie du panneau de commande dans de l'eau ou d'autres liquides.

### AVERTISSEMENTS ET INFORMATIONS RELATIVES À LA SÉCURITÉ SUITE À LA PAGE 7



## **AVERTISSEMENTS ET INFORMATIONS RELATIVES À LA SÉCURITÉ GÉNÉRAUX**



### **AVERTISSEMENTS ET INFORMATIONS RELATIVES À LA SÉCURITÉ SUIVANT LA PAGE 6**

- Ne pas faire fonctionner d'appareil avec une fiche ou un cordon d'alimentation endommagé, après qu'il ait présenté un dysfonctionnement ou s'il est endommagé d'une quelconque manière. Contactez le service à la clientèle de Masterbuilt pour obtenir de l'aide en composant le 1-800-489-1581.
- Des rallonges ou des cordons d'alimentation plus longs sont disponibles et peuvent être utilisés en faisant preuve de prudence.
- Si une rallonge ou un cordon d'alimentation plus long est utilisé : 1. La capacité nominale du cordon ou de la rallonge doit correspondre au minimum à celle de l'appareil, et 2. Le cordon doit être disposé de telle sorte qu'il ne pendra pas du comptoir ou de la table, ce qui permettrait à des enfants de tirer dessus ou de faire basculer l'appareil intentionnellement.
- La rallonge doit consister en un cordon à 3 fils avec mise à la terre.
- Les rallonges extérieures doivent être utilisées avec des appareils destinés à une utilisation en extérieur et doivent être marquées d'un « W » accompagné de la mention « Suitable for Use with Outdoor Appliances » (Approuvée pour usage extérieur).
- **ATTENTION** – Pour réduire le risque de décharge électrique, maintenez la rallonge sèche et au-dessus du sol.
- Ne pas laisser le cordon en contact avec des surfaces chaudes.
- Ne pas placer l'appareil sur ou à proximité d'une plaque à gaz ou électrique allumée, ou bien dans un four chaud.
- Un combustible, comme des briquettes de charbon ou des granulés de chauffage, ne doit pas être utilisé dans le fumoir électrique.
- Pour procéder au débranchement, tournez le panneau de commande sur « OFF/ARRÊT », puis retirez la fiche de la prise.
- Débranchez l'appareil lorsqu'il ne sert pas et avant le nettoyage. Laissez l'appareil refroidir complètement avant d'ajouter ou d'enlever des racks, bois plateau de jeu ou un bol d'eau.
- Le bac de récupération est conçu au bas de fumoir électrique. Ne placez pas le bac de récupération sur la rack, car cela pourrait endommager le fumoir électrique.
- Ne pas couvrir racks avec des feuilles de métal. Cela entraînera la chaleur à se accumuler et causer de graves dommages à fumoir électrique.
- Ne pas nettoyer ce produit avec un système de pulvérisation d'eau ou similaire.

## **CONSERVER CES CONSIGNES**

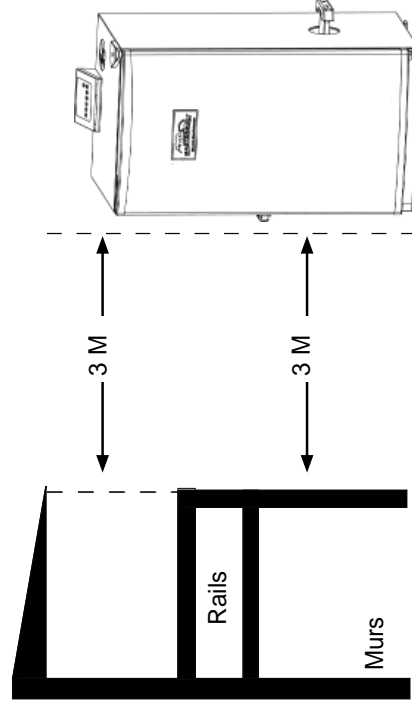
### **PROXIMITÉ AVEC LES STRUCTURES ET RECOMMANDATIONS DE SÉCURITÉ LORS DE L'UTILISATION**

**RAPPEL :**  
NE JAMAIS UTILISER CE FUMOIR SOUS  
DES STRUCTURES SURÉLEVÉES  
MAINTENEZ UNE DISTANCE MINIMALE DE  
3 M (10 PI) ENTRE LE GRIL ET LES  
STRUCTURES SURÉLEVÉES, LES MURS  
ET LES RAMPES.



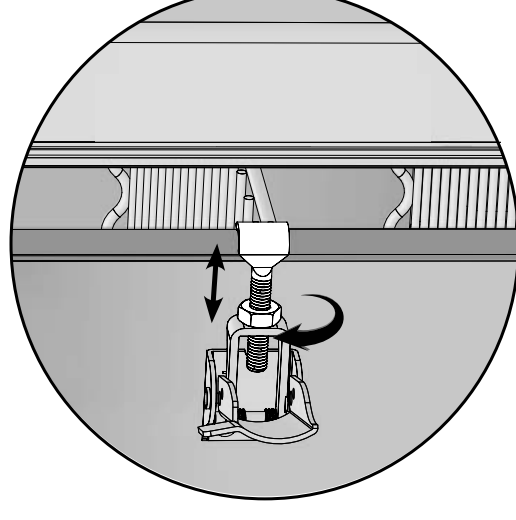
**AVERTISSEMENT :**  
LE CORDON  
ÉLECTRIQUE PRÉSENTE  
UN RISQUE DE CHUTE

Structure surélevée



### **HECHOS IMPORTANTES SOBRE EL USO DEL AHUMADOR**

- La configuración máxima de temperatura es 275°F (135°C).
- NO mueva la unidad a lo largo de superficies desiguales.
- El cargador de trozos de madera y la bandeja de trozos de madera DEBEN estar en su lugar cuando se usa el ahumador. Esto minimiza la probabilidad de tener estallidos de la madera.
- Los trozos de madera deben usarse para producir humo y crear un sabor ahumado.
- Verifique la bandeja de grasa con frecuencia durante la cocción. Vacíe la bandeja de grasa antes que se llene. Puede que se necesite vaciar la bandeja de grasa con frecuencia durante la cocción.
- No abra la puerta del ahumador a menos que sea necesario. Abrir la puerta del ahumador hace que se escape el calor y podría hacer que la madera estalle. Cerrar la puerta reestabilizará la temperatura y detendrá los estallidos.
- No deje cenizas de madera antiguas en la bandeja de trozos de madera. Una vez que las cenizas están frías, vacíe la bandeja. La bandeja debe limpiarse antes y después de cada uso para evitar la acumulación de cenizas.
- Este es un ahumador. Se producirá bastante humo cuando use los trozos de madera. El humo escapará a través de uniones y el interior del ahumador se pondrá negro. Esto es normal. Para reducir la pérdida de humo cerca a la puerta, se puede ajustar el seguro de la puerta para ajustar más el sello de la puerta contra el cuerpo.
- Abrir la puerta del ahumador durante la cocción puede extender el tiempo de cocción debido a la pérdida de calor.
- Cuando la temperatura externa es menor de 65°F (18°C) y/o la altitud es mayor de 3,500 pies (1067m), se puede requerir un tiempo adicional de cocción. Para asegurarse que la carne esté completamente cocida, use un termómetro para carne para probar la temperatura interna.
- Para ajustar el seguro de la puerta, afloje la tuerca hexagonal en el seguro de la puerta. Gire el gancho en sentido horario como se muestra. Asegure la tuerca hexagonal contra el seguro de la puerta.



## INSTRUCCIONES DE PRE-SAZONADO

### SAZONE PREVIAMENTE EL AHUMADOR ANTES DEL PRIMER USO.

*Algo de humo puede aparecer en este momento, esto es normal.*

1. Asegúrese que la bandeja de agua esté en su lugar y SIN AGUA.
2. Configure la temperatura a 275°F (135°C) y encienda la unidad por 3 horas.
3. Durante los últimos 45 minutos, agregue 1/2 taza de trozos de madera en el cargador de trozos para completar el pre-sazonado. Esta cantidad equivale a los contenidos de un cargador de trozos llenado.
4. Apague la unidad y permita que se enfríe.

**NOTA: Nunca agregue más de 1/2 taza (1 cargador de trozos llenado) por vez. No se debe agregar trozos adicionales hasta que los trozos agregados previamente hayan dejado de generar humo.**

## CÓMO USAR EL CARGADOR DE TROZOS DE MADERA

### Cómo usar el cargador de trozos de madera:

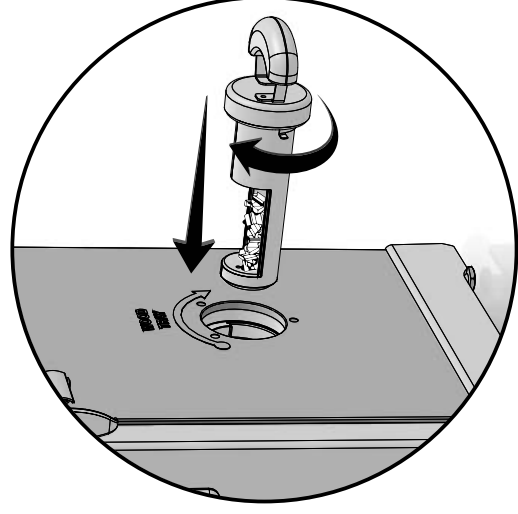
- Antes de iniciar la unidad, coloque 1/2 taza de trozos de madera en el cargador de trozos.
- Nunca use más de 1/2 taza de trozos de madera a la vez. Nunca use leños grandes.
- Inserte el cargador de trozos de madera en el ahumador. Los trozos de madera deben nivelarse con el borde superior del cargador de trozos de madera.
- Gire el asa en sentido horario en dirección de la marca de la flecha en el ahumador para descargar la madera. La madera caerá a la bandeja de trozos de madera. Gire el asa en sentido anti-horario, en posición recta y deje el cargador de trozos de madera en su lugar.
- Verifique la bandeja de trozos de madera periódicamente para ver si la madera se está quemando, retirando el cargador de trozos de madera y mirando el ahumador a través del orificio. Agregue más trozos de madera si es necesario.
- El cargador de trozos de madera debe jalarse fuera completamente del ahumador cuando verifique el nivel de los trozos de madera.

### Agregando más madera durante el proceso de ahumado:

- Tire del cargador de trozos de madera del ahumador.
- Coloque los trozos de madera en el cargador de trozos de madera y inserte en el ahumador.
- Gire el asa en sentido horario en dirección de la marca de la flecha en el ahumador para descargar la madera. La madera caerá en la bandeja de trozos de madera.
- La temperatura puede subir en exceso luego de añadir madera. Se estabilizará luego de un corto tiempo. No ajuste la configuración de temperatura.

### Precaución:

- Mantenga la puerta del ahumador cerrada cuando agregue los trozos de madera.
- El cargador de trozos de madera estará CALIENTE incluso si el asa no lo está.
- Nunca use pellets de madera o leños grandes.



### PRECAUCIÓN

Cuando la puerta se abre, se puede producir un estallido. Si los trozos de madera explotan, cierre inmediatamente la puerta y el ducto de ventilación, espere que los trozos de madera se quemen por completo antes de volver a abrir la puerta. No rocíe agua.

## COMIENÇONS!

- Ce fumoir est lent... prévoyez suffisamment de temps pour la cuisson. Ce fumoir est conçu pour une UTILISATION EN EXTÉRIEUR UNIQUEMENT.
- Apprêtez le fumoir avant la première utilisation. Voir page 25.
- Faites préchauffer le fumoir pendant 30 à 45 minutes à température maximale avant d'ajouter les aliments.
- NE PAS couvrir les grilles de papier d'aluminium, car cela empêchera la bonne circulation de la chaleur.
- Ne pas mettre trop de nourriture dans le fumoir. De grandes quantités de nourriture peuvent emprisonner la chaleur, prolonger la durée de cuisson et causer une cuisson inégale. Laissez de l'espace entre les aliments disposés sur les grilles et les côtés du fumoir afin de permettre à la chaleur de bien circuler. Si vous utilisez des plats de cuisson, mettez-les au centre de la grille pour assurer une cuisson uniforme.
- Ne jamais placer de verre, de plastique ni de céramique dans l'appareil. Pour en savoir plus, consultez le manuel.
- Fermez le clapet à air sur le côté de l'appareil pour conserver l'humidité et la chaleur. Si vous faites cuire des aliments tels que du poisson ou du charqui, ouvrez le clapet à air pour libérer l'humidité.
- Rangez le fumoir dans un endroit sec après l'utilisation.
- Les températures extrêmement froides peuvent prolonger les durées de cuisson.
- NETTOYEZ LE FUMOIR APRÈS CHAQUE UTILISATION. Cela en prolongera la durée de vie et évitera la formation de moisissures et de champignons.

## AMUSEZ-VOUS!

## COMMENT NETTOYER LE FUMOIR

Pour les supports de grilles, porte, bol d'eau et lèche-frite utiliser un détergent à vaisselle doux. Rincez et séchez soigneusement.

Pour le bois plateau de jetons et de copeaux de bois chargeur, nettoyez fréquemment pour enlever les cendres construire, de résidus et de la poussière.

Mettez au rebut les cendres froides en les enveloppant dans une feuille d'aluminium, puis en trempant le tout dans de l'eau avant de le jeter dans un récipient non combustible.

Nettoyez l'intérieur, le verre de la porte et l'extérieur du fumoir en essuyant simplement les surfaces avec un chiffon humide. Ne pas utiliser de produit de nettoyage. Assurez-vous de bien sécher ces surfaces.

**VEILLEZ À TOUJOURS VOUS ASSURER QUE L'APPAREIL EST FROID AU TOUCHER AVANT DE LE NETTOYER ET DE LE REMISER.**

## ADVERTENCIA

Este manual contiene información importante que es necesaria para el ensamblaje correcto y el uso seguro de la unidad.

Lea y siga todas las advertencias e instrucciones antes de ensamblar y usar la unidad.

Siga todas las advertencias e instrucciones cuando use la unidad.

Conserve este manual para referencia en el futuro.

## PELIGRO DE MONÓXIDO DE CARBONO

Quemar trozos de madera produce monóxido de carbono, el cual no tiene olor y puede causar la muerte.

NO quemar trozos de madera dentro de hogares, vehículos, tiendas para camping, garajes o cualquier área cerrada.

USE SOLAMENTE LAS ÁREAS EXTERIORES donde está bien ventilado.

Si no sigue estas advertencias e instrucciones adecuadamente podría producirse un incendio o explosión, lo que podría causar daños a la propiedad, lesiones personales o la muerte.

## ADVERTENCIA

Propuesta 65 de California

1. Los subproductos combustibles producidos a raíz de la utilización de este producto contienen químicos cuyos efectos son reconocidos por el Estado de California por causar cáncer, defectos de nacimiento y otros daños reproductivos.
2. Este producto contiene químicos, entre los cuales se incluye plomo y compuestos de plomo, cuyos efectos son reconocidos por el Estado de California por causar cáncer, defectos de nacimiento u otros daños reproductivos.

Lávese las manos después de manipular este producto.

## INFORMACIÓN DE SEGURIDAD Y ADVERTENCIAS GENERALES

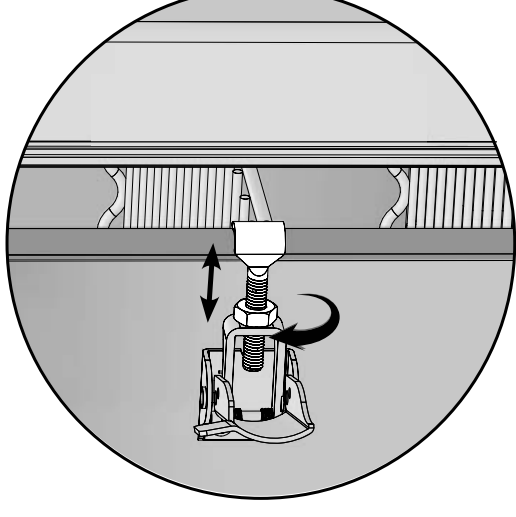
### LEA TODAS LAS INSTRUCCIONES

- La unidad es SOLAMENTE DE USO EN EXTERIORES.
- Nunca la use dentro de áreas cerradas como patios, garajes, edificios o tiendas de camping.
- Nunca la use dentro de vehículos recreacionales o en botes.
- Nunca opere la unidad bajo construcciones aéreas como por ejemplo, cubiertas de techos, estacionamientos cerrados, toldos o colgantes.
- Nunca use la unidad como estufa. (LEA EL PELIGRO DE MONÓXIDO DE CARBONO).
- Mantenga una distancia mínima de 10 pies (3m) desde construcciones aéreas, paredes, rieles u otras estructuras.
- Mantenga un espacio mínimo de 10 pies (3m) de todo material combustible como por ejemplo, madera, plantas secas, césped, cepillos, papel o lienzos.
- Mantenga la unidad libre de materiales combustibles como gasolina y otros vapores y líquidos inflamables.
- Use la unidad en una superficie nivelada, estable y no combustible, como por ejemplo, tierra, concreto, ladrillo o roca.
- La unidad DEBE estar sobre el suelo. No coloque la unidad sobre mesas o mostradores. NO mueva la unidad a lo largo de superficies desniveladas.

## LAS ADVERTENCIAS Y SALVAGUARDAS IMPORTANTES SIGUEN EN LA PAGINA 10

## RENSEIGNEMENTS IMPORTANTS CONCERNANT L'UTILISATION DU FUMOIR

- Le réglage de température maximal est de 135 °C (275 °F).
- Ne PAS déplacer l'appareil sur des surfaces inégales.
- Le chargeur à copeaux de bois et le bac à copeaux de bois DOIVENT être en place lors de l'utilisation du fumoir. Cela minimise les risques d'une poussée de flamme.
- Il est impératif de placer des copeaux de bois dans le fumoir afin de produire de la fumée et d'imprégner les aliments d'un arôme fumé.
- Vérifiez souvent le bac à graisse pendant la cuisson. Videz-le avant qu'il devienne plein. Le bac à graisse peut devoir être vidé périodiquement durant la cuisson.
- N'ouvrez pas la porte du fumoir, sauf si cela est nécessaire. L'ouverture de la porte du fumoir permet à la chaleur de s'échapper et peut causer une poussée de flamme. Fermez la porte pour rétablir la température et arrêter la poussée de flamme.
- Ne laissez pas de cendres dans le bac à copeaux de bois. Une fois que les cendres sont froides, videz le bac. Le bac doit être nettoyé avant et après chaque utilisation pour éviter l'accumulation de cendres.
- Cet appareil est un fumoir. Une grande quantité de fumée sera produite lors de l'utilisation des copeaux de bois. De la fumée s'échappera par les joints et noircira l'intérieur du fumoir. C'est normal. Pour minimiser la perte de fumée autour de la porte, le loquet de porte peut être ajusté afin de serrer davantage la porte contre le bâti du fumoir.
- L'ouverture de la porte du fumoir pendant la cuisson pourrait prolonger la cuisson en raison de la perte de chaleur.
- Lorsque la température extérieure est inférieure à 18 °C (65 °F) ou que l'altitude est supérieure à 1 000 mètres (3 500 pi), un temps de cuisson supplémentaire peut être requis. Afin de s'assurer que la viande est complètement cuite, utilisez un thermomètre à viande pour mesurer la température interne.
- Pour ajuster le loquet de porte, desserrez l'écrou hexagonal sur le loquet. Pour serrer, tourner le crochet dans le sens des aiguilles d'une montre, de la façon illustrée. Fixez l'écrou hexagonal solidement contre le loquet de porte. (Voir le diagramme)



## INSTRUCTIONS D'APPRÊTAGE

### APPRÊTEZ LE FUMOIR AVANT LA PREMIÈRE UTILISATION.

*De la fumée peut apparaître pendant cette période, c'est normal.*

1. Assurez-vous que la cuvette d'eau est en place ET SANS EAU.
2. Réglez la température à 275 °F (135 °C) et faites fonctionner le fumoir pendant 3 heures.
3. Pour finaliser l'apprêtage, lors des 45 dernières minutes, ajoutez une demi-tasse de copeaux de bois dans le chargeur à copeaux de bois et videz le contenu de ce dernier dans le bac à copeaux de bois. Cela correspond au contenu d'un chargeur à copeaux de bois plein.
4. Éteignez le fumoir et laissez-le refroidir.

**REMARQUE : N'ajoutez jamais plus d'une demi-tasse (chargeur à copeaux de bois plein) à la fois. N'ajoutez pas de copeaux supplémentaires tant que les copeaux déjà ajoutés génèrent encore de la fumée.**

## COMMENT UTILISER LE CHARGEUR À COPEAUX DE BOIS

**Comment utiliser le chargeur à copeaux de bois :**

- Avant d'allumer l'appareil, mettez une demi-tasse de copeaux de bois dans le chargeur à copeaux de bois.
- N'utilisez jamais plus d'une demi-tasse de copeaux de bois à la fois. N'utilisez jamais de morceaux de bois ou de granulés de bois.
- Insérez le chargeur à copeaux de bois dans le fumoir. Les copeaux de bois doivent être à niveau avec le bord supérieur du chargeur à copeaux de bois.
- Pour vider le bois, tournez la poignée dans le sens des aiguilles d'une montre, dans la direction de la flèche qui se trouve sur le fumoir. Le bois tombera dans le bac à copeaux de bois. Tournez la poignée dans le sens contraire des aiguilles d'une montre, jusqu'à ce qu'elle soit en position verticale, et laissez le chargeur en place.
- Vérifiez le bac à copeaux de bois de temps en temps pour vérifier si le bois a brûlé en enlevant le chargeur à copeaux de bois et en regardant dans le fumoir par le trou. Ajoutez davantage de copeaux si nécessaire.
- Lorsque vous vérifiez le niveau des copeaux de bois, vous devez sortir complètement le chargeur à copeaux de bois du fumoir.

**Processus d'ajout de bois pendant le fumage :**

- Sortez le chargeur à copeaux de bois du fumoir.
- Mettez les copeaux de bois dans le chargeur à copeaux de bois et insérez celui-ci dans le fumoir.
- Pour vider le bois, tournez la poignée dans le sens des aiguilles d'une montre, dans la direction de la flèche qui se trouve sur le fumoir. Le bois tombera dans le bac à copeaux de bois.
- Il est possible que la température augmente brièvement après l'ajout de bois. Elle se stabilisera en peu de temps. N'ajustez pas le réglage de la température.

**Attention :**

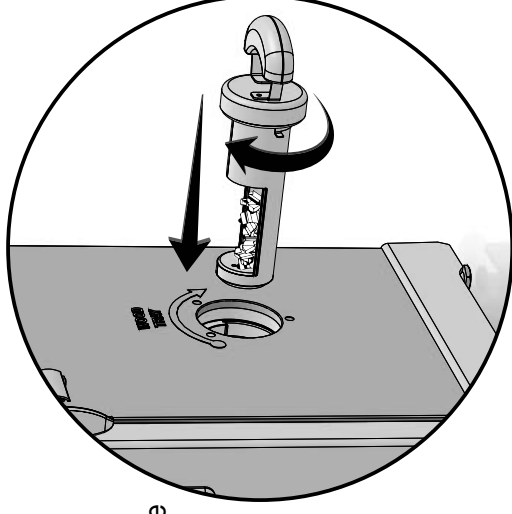
- Gardez fermée la porte du fumoir pendant que vous ajoutez des copeaux de bois.
- Le chargeur à copeaux de bois sera CHAUD, même si la poignée ne l'est pas.
- N'utilisez jamais de morceaux de bois ou de granulés de bois.



**ATTENTION**



Une poussée de flamme brusque risque de se produire en ouvrant la porte. En cas de flambée des copeaux de bois, fermez la porte immédiatement, attendez que les copeaux de bois aient brûlé, puis rouvrez la porte. Ne pulvérisez pas d'eau.



## INFORMACIÓN DE SEGURIDAD Y ADVERTENCIAS GENERALES



## ADVERTENCIAS Y SALVAGUARDAS IMPORTANTES QUE VIENEN DE LA PAGINA 9

- No utilice la unidad sobre superficies de madera o inflamables.
- No deje la unidad desatendida.
- Nunca use la unidad para otra cosa que no sea su uso intencionado. Esta unidad NO es para uso comercial.
- Mantenga un extintor de incendios accesible en todo momento mientras opere la unidad.
- Antes de cada uso verifique todas las tuercas, tornillos y pernos para asegurarse que estén ajustados y seguros.
- El uso de alcohol, fármacos recetados o sin receta pueden restringir la capacidad del usuario de ensambalar correctamente la unidad u operarla con seguridad.
- Mantenga a los niños y mascotas alejados de la unidad en todo momento. NO permita que los niños usen la unidad. Se requiere una supervisión cercana si hay niños o mascotas en el área cuando se está usando la unidad.
- NO permita que nadie lleve a cabo actividades cerca a la unidad durante o después de su uso hasta que se haya enfriado.
- Evite chocar o golpear la unidad.
- Nunca mueva la unidad cuando esté en uso. Deje que la unidad se enfríe completamente (por debajo de 115°F (45°C)) antes de moverla o almacenarla.
- La unidad está CALIENTE cuando está en uso y seguirá CALIENTE por un período de tiempo después y durante el proceso de enfriamiento. Tenga CUIDADO. Use guantes/mitones de protección.
- No toque las superficies CALIENTES.
- No use perlas de madera.
- Nunca use utensilios de vidrio, plástico o cerámica. Nunca coloque utensilios vacíos en la unidad mientras está en uso.
- NO se recomienda usar accesorios adicionales no suministrados por Masterbuilt Manufacturing, Inc., los cuales podrían causar lesiones.
- La bandeja para la madera está CALIENTE cuando la unidad está en uso. Tenga cuidado cuando agregue madera.
- Tenga cuidado cuando retire los alimentos de la unidad. Todas las superficies están CALIENTES y pueden causar quemaduras. Use guantes de protección o herramientas de cocina largas y resistentes.
- Siempre use la unidad en conformidad con todos los códigos contra incendios locales, estatales y federales aplicables.
- No levante la unidad por el asa posterior.
- Deseche las cenizas frías colocándolas en papel aluminio, remojándolas en agua y descartándolas en un contenedor no combustible.
- No guarde la unidad con cenizas CALIENTES dentro de la misma. Guárdela solamente cuando todas las superficies estén frías.
- Cuando use aparatos eléctricos, siempre se deben seguir las precauciones de seguridad básicas, incluyendo lo siguiente:
  - No enchufe el ahumador eléctrico hasta que esté completamente ensamblado y listo para usarse.
  - Use solamente un tomacorriente eléctrico aprobado y puesto a tierra.
  - No lo use durante una tormenta eléctrica.
  - No exponga el ahumador eléctrico a la lluvia o agua en cualquier momento.
  - Para protegerse contra descargas eléctricas no sumerja el cable, enchufe o panel de control en agua u otro líquido.
- No opere ningún artefacto con un cable o enchufe dañado, o luego que el artefacto se haya malogrado o dañado de cualquier manera. Contacte al Servicio al Cliente de Masterbuilt si desea asistencia al 1-800-489-1581.

## LAS ADVERTENCIAS Y SALVAGUARDAS IMPORTANTES SIGUEN EN LA PAGINA 11



## INFORMACIÓN DE SEGURIDAD Y ADVERTENCIAS GENERALES



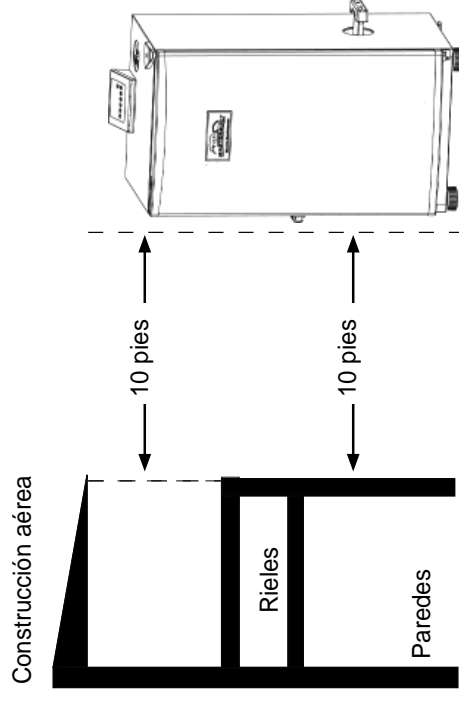
# ADVERTENCIAS Y SALVAGUARDAS IMPORTANTES QUE VIENEN DE LA PAGINA 10

- Existen cables de extensión o cables de suministro de alimentación desmontables más largos disponibles y pueden usarse, si se ejerce cuidado en su uso.
- Si se usa un cable de extensión o cable de suministro de alimentación desmontable más largo: 1. La calificación eléctrica marcada del set de cables o del cable de extensión debe ser por lo menos tanto como la calificación eléctrica del aparato; y 2. El cable debe acomodarse de tal forma que no cuelgue sobre el mostrador donde los niños podrían tirar de él o tropezarse con él accidentalmente.
- El cable de extensión debe ser un cable puesto a tierra de 3 alambres.
- Los cables de extensión externos deben usarse con productos de uso externo y deben ir marcados con una "W" y con la frase "Adecuado para uso con aparatos exteriores"
- **PRECAUCIÓN:** Para reducir el riesgo de descarga eléctrica, mantenga la conexión del cable de extensión seca y lejos del suelo.
- No deje que el cable cuelgue o que toque superficies calientes.
- No lo coloque en o cerca a un quemador eléctrico/de gas caliente o en un horno caliente.
- El combustible, como las briquetas de carbón o perlas de calor, no deben usarse en el ahumador eléctrico.
- Para desconectar, apague el panel de control y luego retire el enchufe del tomacorriente.
- Desenchufe del tomacorriente cuando no esté en uso y antes de limpiarlo. Deje que la unidad se enfríe completamente antes de agregar/sacar basifidores , bandeja o cuenco de agua .
- Bandeja de goteo es sólo para la parte inferior del ahumador eléctrico . No coloque la bandeja de goteo en el estante esto puede dañar el ahumador .
- No cubra bastidores con papel de aluminio. Esta trampa de calor y causará graves daños a ahumador eléctrico .
- No limpie este producto con un rociador de agua o similar.

## CONSERVE ESTAS INSTRUCCIONES

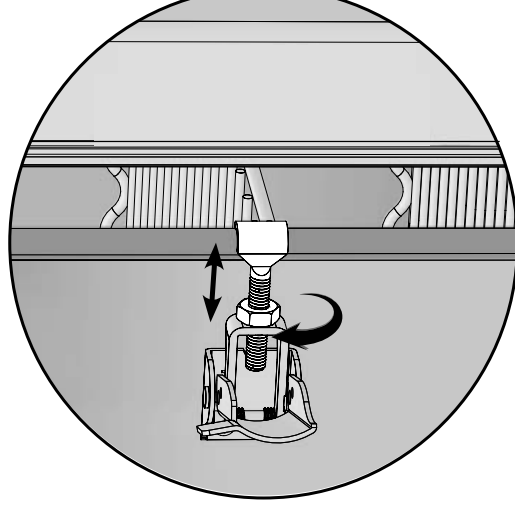
## RECOMENDACIONES SOBRE PROXIMIDAD ESTRUCTURAL Y USO SEGURO

**RECORDATORIO:**  
NUNCA OPERE ESTE AHUMADOR BAJO NINGUNA CONSTRUCCIÓN AÉREA. MANTENGA UNA DISTANCIA DE 10 PIES COMO MÍNIMO DE CONSTRUCCIONES AÉREAS, PAREDES O RIELES.



## IMPORTANT FACTS ABOUT USING SMOKER

- Maximum temperature setting is 275°F (135°C).
- Do NOT move unit across uneven surfaces.
- Wood chip loader and wood chip tray MUST be in place when using smoker. This minimizes the chance of wood flare ups.
- Wood chips must be used in order to produce smoke and create the smoke flavor.
- Check grease tray often during cooking. Empty grease tray before it gets full. Grease tray may need to be emptied periodically during cooking.
- Do not open smoker door unless necessary. Opening smoker door causes heat to escape and may cause wood to flare up. Closing the door will re-stabilize the temperature and stop flare up.
- Do not leave old wood ashes in the wood chip tray. Once ashes are cold, empty tray. Tray should be cleaned out prior to, and after each use to prevent ash buildup.
- This is a smoker. There will be a lot of smoke produced when using wood chips. Smoke will escape through seams and turn the inside of smoker black. This is normal. To minimize smoke loss around door, door latch can be adjusted to further tighten door seal against body.
- Opening smoker door during cooking process may extend cooking time due to heat loss.
- When outside temperature is cooler than 65°F (18°C) and/or altitude is above 3,500 feet (1067m), additional cooking time may be required. To insure that meat is completely cooked use a meat thermometer to test internal temperature.
- To adjust door latch, loosen hex nut on door latch. Turn hook clockwise to tighten as shown. Secure hex nut firmly against door latch. (see diagram)



## PRE-SEASON INSTRUCTIONS

### PRE-SEASON SMOKER PRIOR TO FIRST USE.

*Some smoke may appear during this time, this is normal.*

1. Make sure water pan is in place with NO WATER.
2. Set temperature to 275°F (135°C) and run unit for 3 hours.
3. To complete pre-seasoning, during last 45 minutes, add ½ cup of wood chips in wood chip loader and unload wood chips into the wood chip tray. This amount is equal to the contents of a filled wood chip loader.
4. Shut down and allow to cool.

**NOTE: Never add more than ½ cup (1 filled chip loader) at a time. Additional chips should not be added until any previously added chips have ceased generating smoke.**

## HOW TO USE WOOD CHIP LOADER

### How to use wood chip loader:

- Before starting unit, place ½ cup of wood chips in chip loader.
- Never use more than ½ cup of wood chips at a time. Never use wood chunks or wood pellets.
- Insert wood chip loader into smoker. Wood chips should be level with top rim of wood chip loader.
- Turn handle clockwise in direction of arrow mark on smoker to unload wood. Wood will drop into wood chip tray. Turn handle counterclockwise, to upright position, and leave wood chip loader in place.
- Check wood chip tray periodically to see if wood has burned down by removing wood chip loader and looking into smoker through hole. Add more chips as needed.
- Wood chip loader must be pulled out completely from smoker when checking wood chip level.

### Adding more wood during smoking process:

- Pull wood chip loader from smoker.
- Place wood chips in wood chip loader and insert into smoker.
- Turn handle clockwise in direction of arrow mark on smoker to unload wood. Wood will drop into wood chip tray.
- Temperature may spike briefly after wood is added. It will stabilize after a short time. Do not adjust temperature setting.

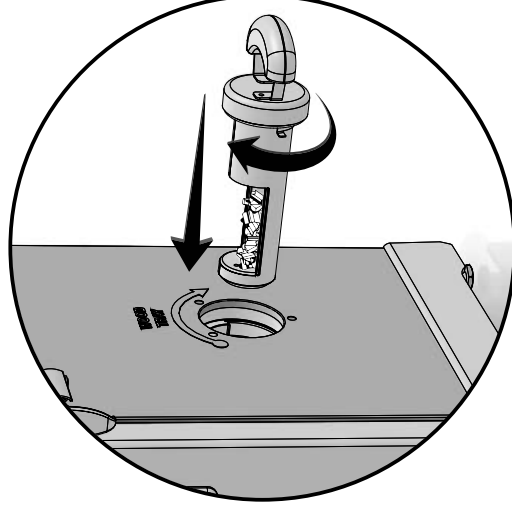
### Caution:

- Keep smoker door closed when adding wood chips.
- Wood chip loader will be HOT even if handle is not.
- Never use wood pellets or wood chunks.



### CAUTION

When door is opened a flare up may occur. Should wood chips flare up, immediately close door and vent, wait for wood chips to burn down, then open door again. Do not spray with water.



## ¡EMPECEMOS!

- Este es un ahumador lento... permita que haya suficiente tiempo para la cocción. El ahumador SOLO DEBE USARSE EN EXTERIORES.
- “Sazone previamente” el ahumador antes de su primer uso. Consulte la página 27.
- Precaliente el ahumador por 30 a 45 minutos en la máxima temperatura antes de cargar los alimentos.
- NO cubra las rejillas con papel de aluminio, ya que esto no permitirá que el calor circule correctamente.
- No sobrecargue el ahumador con alimentos. Las cantidades extra grandes de alimento pueden capturar el calor, extender el tiempo de cocción y causar una cocción desigual. Deje espacio entre los alimentos en la rejilla y los lados del ahumador para asegurar una correcta circulación del calor. Si utiliza bandejas de cocción, coloque las bandejas en la parte central de la rejilla para asegurar una cocción uniforme. Consulte el manual para mayores detalles.
- Cierre el regulador de aire de la unidad para retener la humedad y el calor. Si cocina alimentos como pescado o carne seca, abra el regulador de aire para liberar la humedad.
- Almacene el ahumador en un área seca después de su uso.
- Las temperaturas extremadamente frías pueden extender los tiempos de cocción.
- LIMPIE DESPUÉS DE CADA USO. Esto extenderá la vida de su ahumador y evitará la formación de moho y hongos.

## ¡DISFRUTE!

## CÓMO LIMPIAR EL AHUMADOR

Para los soportes de la estante , las estante para ahumar, el tazón de agua y la bandeja de goteo use un detergente para platos suave. Enjuague y seque exhaustivamente.

Para la bandeja de astillas de madera y cargador de astillas de madera, limpia con frecuencia para eliminar la ceniza construir , residuos y polvo.

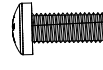
Deseche las cenizas frías colocándolas en papel aluminio, remojándolas en agua y descartándolas en un contenedor no combustible.

Para el interior, el vidrio de la puerta, la sonda de la carne y el exterior del ahumador, simplemente limpie con un trapo húmedo. No use un agente limpiador. Asegúrese de secar todo exhaustivamente.

El sello de la puerta y la ranura interna a la que se fija el sello DEBE limpiarse con un trapo húmedo después de cada uso para mantener el sello en condiciones de trabajo apropiadas.

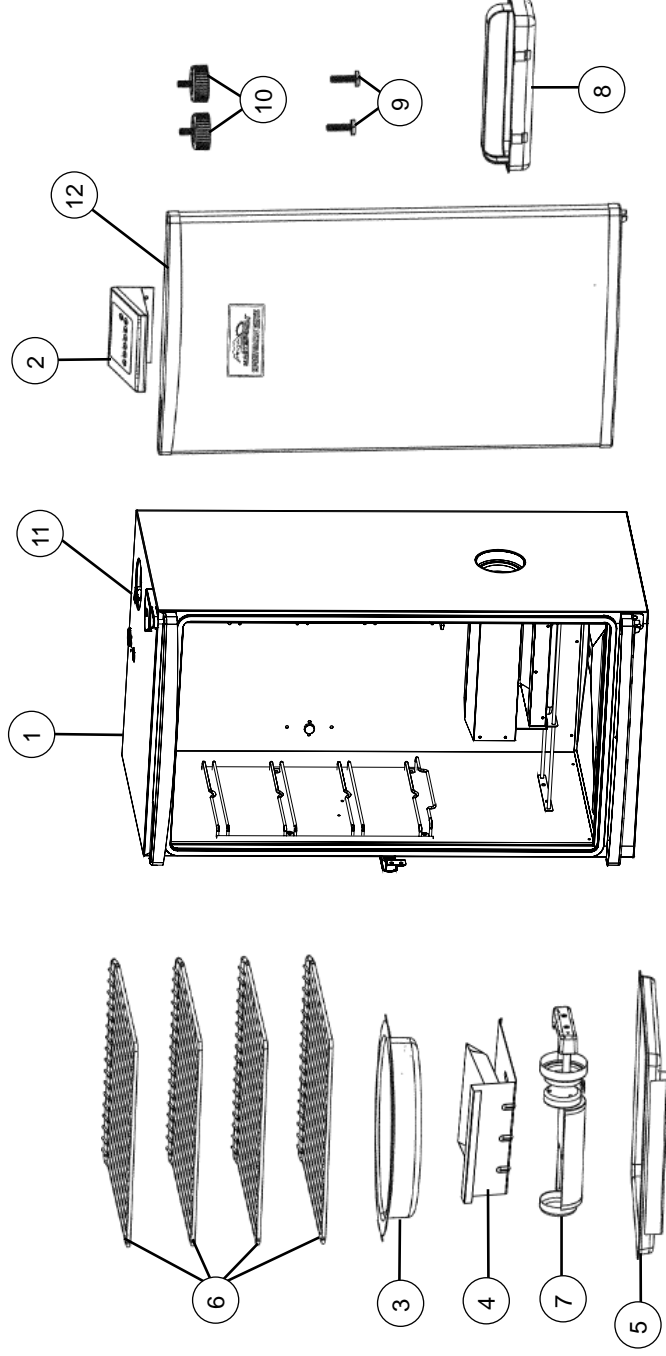
**SIEMPRE ASEGÚRESE QUE LA UNIDAD ESTÁ DESENCUFADA Y FRÍA  
AL TACTO ANTES DE LIMPIAR Y GUARDAR.**

## HARDWARE LIST. LISTE DE MATÉRIEL. LISTA DE HARDWARE



(A)  
Pan Head Screw  
Qty: 2  
Qté : 2  
Cant.: 2

## PARTS LIST/LISTE DES PIÈCES/LISTA DE PARTES



NO/Nº/ NO	QTY/QTÉ/ CANT.	DESCRIPTION	DESCRIPTION	DESCRIPCIÓN
1	1	Smoker Body	Bâti du fumoir	Cuerpo del ahumador
2	1	Digital Control Panel	Panneau de commande numérique	Panel de control digital
3	1	Water Bowl	Cuvette d'eau	Tazón de agua
4	1	Wood Chip Tray	Bac à copeaux de bois	Bandeja de trozos de madera
5	1	Drip Pan	Bac de récupération	Bandeja de goteo
6	4	Rack	Étagère	Estante
7	1	Wood Chip Loader	Chargeur à copeaux de bois	Cargador de trozos de madera
8	1	Grease Tray	Bac à graisse	Bandeja para grasa
9	2	Leg Boot (pre-assembled)	Patin de pied (prémonté)	Zapata de pata (previamente montada)
10	2	Adjustable Screw Leg (pre-assembled)	Pied réglable à visser (préassemblé)	Pata ajustable con tornillo (previamente montada)
11	1	Air Damper (pre-assembled)	Volet d'admission d'air (prémonté)	Regulador de aire (previamente montado)
12	1	Door w/Window (pre-assembled)	Porte avec fenêtre (préassemblée)	Puerta (previamente montado)

## WOOD SMOKING GUIDE FOR MEATS

WOOD FLAVOR	POULTRY	FISH	HAM	BEEF	PORK	LAMB
<b>Hickory</b> Pungent, smoky, bacon-like flavor	✓	✓	✓	✓	✓	
<b>Mesquite</b> Sweet and delicate flavor	✓			✓		✓
<b>Alder</b> Delicate, wood smoke flavor	✓	✓			✓	
<b>Pecan</b> Bold and hearty flavor	✓	✓			✓	
<b>Maple</b> Sweet, subtle flavor	✓				✓	
<b>Apple</b> Sweet, delicate flavor	✓	✓			✓	
<b>Cherry</b> Sweet, delicate flavor	✓				✓	

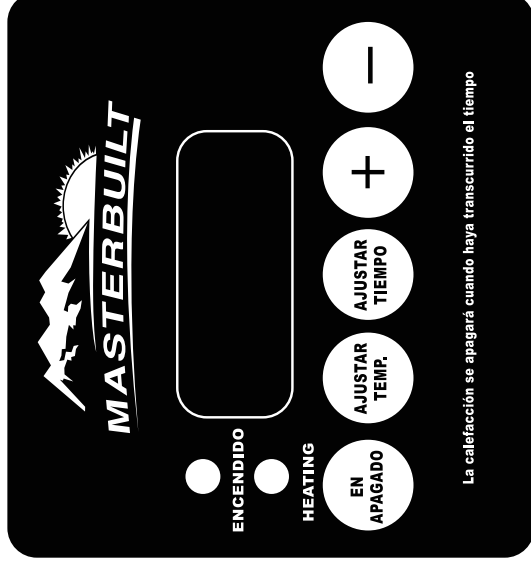
## GUIDE DE FUMAGE DES VIANDES

ARÔME DE BOIS	VOLAILLE	POISSON	JAMBON	BŒUF	PORC	AGNEAU
<b>Caryer</b> Goût de bacon, piquant et fumé	✓	✓	✓	✓	✓	
<b>Prosopis</b> Goût délicat et sucré	✓			✓		✓
<b>Aulne</b> Goût délicat de fumée de bois	✓	✓			✓	
<b>Pacanier</b> Goût hardi et consistant	✓	✓			✓	
<b>Érable</b> Goût subtil, sucré	✓				✓	
<b>Pommier</b> Goût sucré, délicat	✓	✓			✓	
<b>Cerisier</b> Goût sucré, délicat	✓				✓	

## GUÍA DE AHUMADO CON MADERA PARA CARNES

SABOR DE LA MADERA	AVES	PESCADO	JAMÓN	RES	CERDO	CORDERO
<b>Nogal</b> Sabor picante, ahumado, similar al tocino	✓	✓	✓	✓	✓	
<b>Mezquite</b> Sabor dulce y delicado	✓			✓		✓
<b>Aliso</b> Sabor delicado, de madera ahumada	✓	✓			✓	
<b>Pecana</b> Sabor intenso y robusto	✓	✓			✓	
<b>Arce</b> Sabor dulce y sutil	✓				✓	
<b>Manzano</b> Sabor dulce y delicado	✓	✓			✓	
<b>Cerezo</b> Sabor dulce y delicado	✓				✓	

## CÓMO UTILIZAR EL PANEL DE CONTROL



**Nota:** La luz solar directa interfiere en la capacidad de leer la pantalla de diodos LED; si es necesario, bloquee la luz del sol.

### Para programar la temperatura:

- Oprima el botón de encendido (ON).
  - Oprima una vez el botón SET TEMP; la pantalla LED parpadeará.
  - Use +/- para elegir la temperatura.
  - Vuelva a presionar el botón SET TEMP para fijar la temperatura seleccionada.
- Nota: El ahumador no se calentará hasta que no se programe el temporizador.

### Para programar el temporizador:

- Oprima una vez el botón SET TIME; la pantalla lumínica parpadeará.
- Use +/- para elegir la cantidad de horas.
- Vuelva a presionar el botón SET TIME para fijar la cantidad de horas seleccionada. El indicador lumínico de los minutos comenzará a parpadear.
- Use +/- para elegir la cantidad de minutos.
- Oprima SET TIME para fijar la cantidad de minutos y comenzar el ciclo de cocción.

### El ahumador dejará de calentar cuando transcurra el tiempo fijado.

### Para INICIALIZAR el panel de control:

Si el panel de control muestra un mensaje de error, apague el ahumador, desconéctelo del tomacorriente y espere diez segundos, vuelva a conectarlo al tomacorriente y enciéndalo. Esto inicializará el panel de control.

## PARTS LIST. LISTE DES PIÈCES. LISTA DE PARTES

REPLACEMENT PART	PIÈCE DE RECHANGE	REPUESTO	ITEM NO
Body Kit, Black	Trousse de bâti, noire	Kit del cuerpo, negro	9907090047
Digital Control Panel Kit	Numérique Kit panneau de contrôle	Kit Panel de control digital	9900500048
Rack	Étagère	Estante	9100500029
Rack Support Kit	Trousse de support des grilles	Kit de soporte de estante	9900500049
Wood Chip Lid Kit	Trousse de couvercle du bac à copeaux de bois	Kit de tapa de los trozos de madera	9907100013
Door Latch Kit, Black	Trousse de loquet de porte, noir	Kit de seguro de la puerta, negro	990050222
Water Bowl	Cuvette d'eau	Tazón de agua	9100500030
Wood Chip Tray	Bac à copeaux de bois	Bandeja de trozos de madera	9007100018
Drip Pan	Plateau ramasse-gouttes	Bandeja de goteo	9100700028
Adjustable Screw Leg	Pied réglable avec vis	Pata ajustable con tornillos	9100500006
Wood Chip Loader	Chargeur à copeaux de bois	Cargador de trozos de madera	9007090093
Grease Tray	Bac à graisse	Bandeja de grasa	9100600047
Element Kit, 800 Watt	Trousse d'élément, 800 watts	Kit del elemento, 800 watts	9907090033
Air Damper Kit	Trousse de clapet à air	Kit del regulador de aire	990060221
30" Door Kit	Trousse de porte de 30 po	Kit de la puerta de 30"	9907090049
Element Support Rack Kit	Rack Kit Élément de soutien	Kit rack Elemento de Apoyo	9900700020
Leg Boot w/foot screw	Patin de pied avec vis de pied	Zapata de pata con tornillo del pie	9100500009
Grease Tray Bracket Kit	Trousse de support du bac à graisse	Kit de la abrazadera de la bandeja de grasa	9900500024
Door Hinge Kit	Trousse de charnière de porte	Kit de la bisagra de la puerta	9907090041
Hardware Kit	Trousse de quincaillerie	Kit de accesorios	998050010
Instruction Manual	Mode d'emploi	Manual de instrucciones	9807130035



### DO NOT RETURN TO RETAILER For Assembly Assistance, Missing or Damaged Parts

Call: MASTERBUILT Customer Service at 1-800-489-1581.  
Please have Model Number and Serial Number available when calling.  
These numbers are located on the silver label on the back of unit.



### NE PAS RENVOYER AU DÉTAILLANT pour obtenir de l'aide pour l'assemblage, des pièces manquantes ou endommagées

Appelez le service à la clientèle de MASTERBUILT au 1-800-489-1581.  
Veuillez avoir le numéro de modèle et le numéro de série à portée de main lors de l'appel.  
Ces numéros se trouvent sur l'étiquette argentée au dos de l'appareil.



### NO REGRESE AL MINORISTA Para obtener asistencia con el ensamble, piezas dañadas o faltantes

Llame a: Servicio al cliente MASTERBUILT al 1-800-489-1581.  
Antes de llamar tenga a la mano los números de modelo y serie.  
Estos números se encuentran en la etiqueta plateada en la parte posterior de la unidad.

### • BEFORE ASSEMBLY READ ALL INSTRUCTIONS CAREFULLY.

### • ASSEMBLE UNIT ON A CLEAN, FLAT SURFACE.

### • TOOLS NEEDED: Adjustable Wrench, Phillips Head Screwdriver

\*\* It is possible that some assembly steps have been completed in the factory. \*\*

### • AVANT L'ASSEMBLAGE, LIRE ATTENTIVEMENT TOUTES LES INSTRUCTIONS.

### • ASSEMBLER L'APPAREIL SUR UNE SURFACE PLANE ET PROPRE.

### • OUTILS NÉCESSAIRES : TOURNEVIS CRUCIFORME.

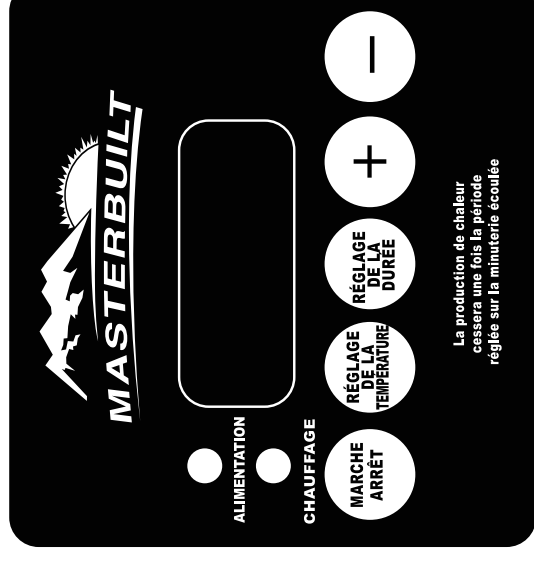
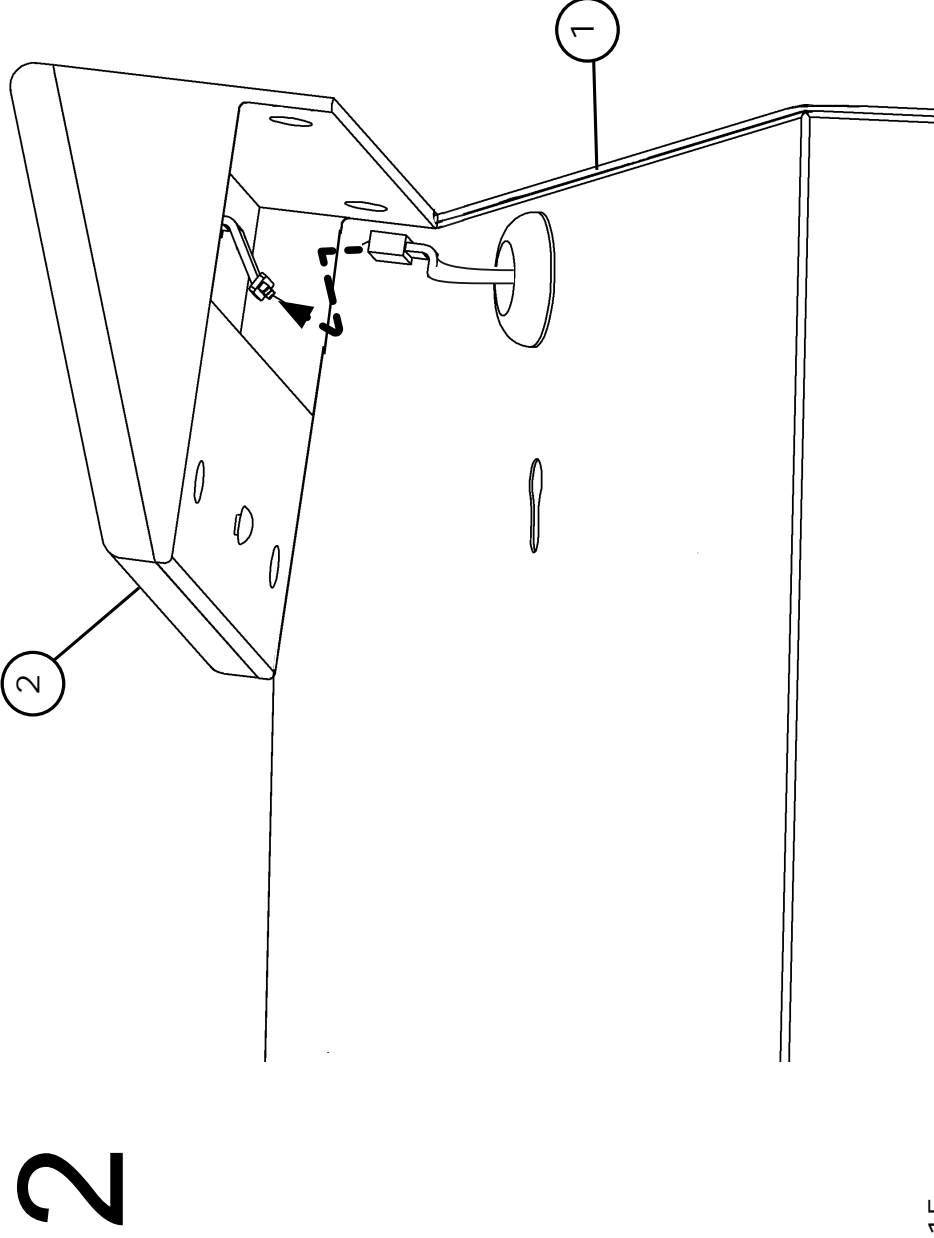
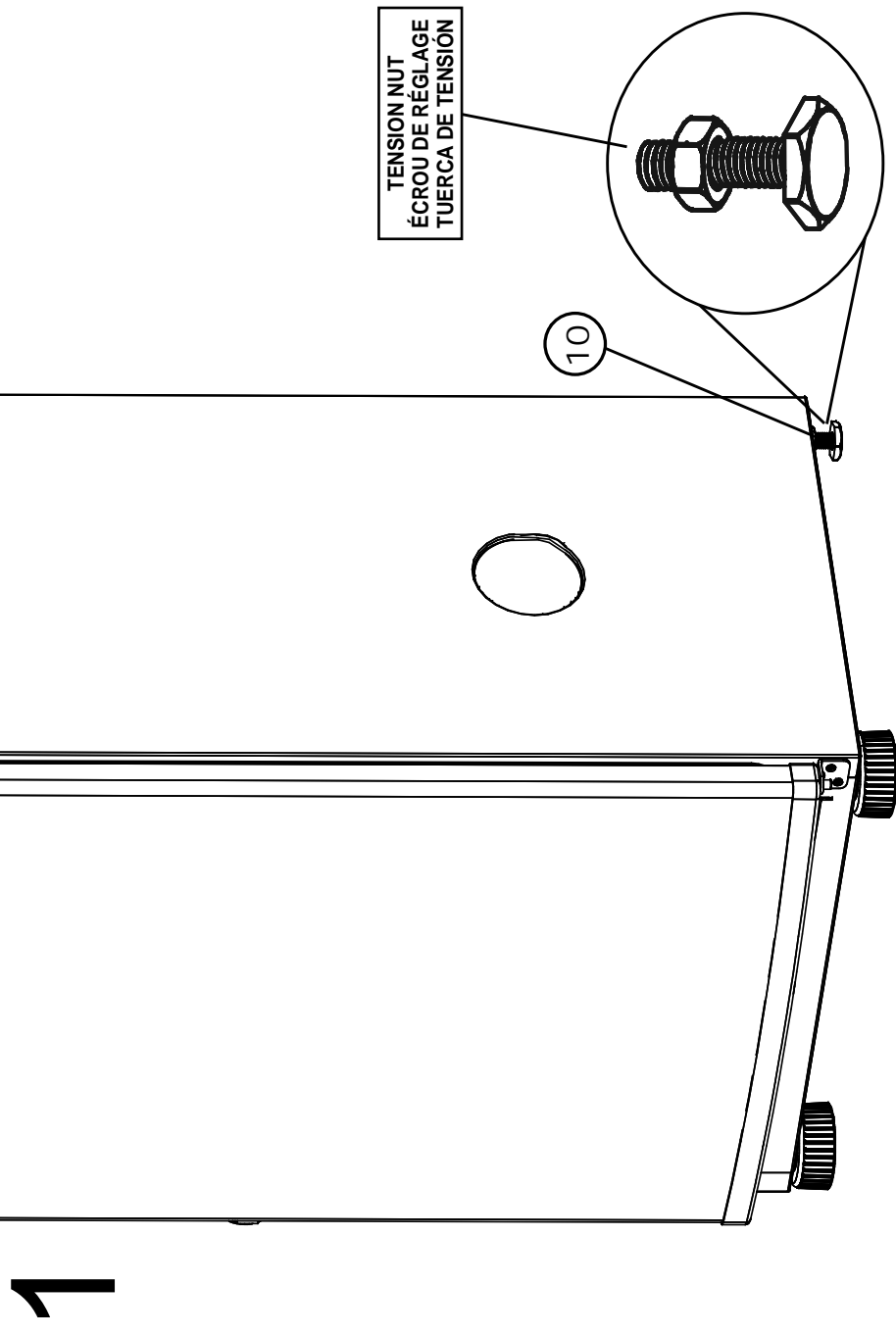
\*\*Il est possible que certaines étapes d'assemblage aient été effectuées en usine.\*\*

### • ANTES DEL ENSAMBLAJE LEA TODAS LAS INSTRUCCIONES CUIDADOSAMENTE.

### • ENSAMBLE LA UNIDAD EN UNA SUPERFICIE LIMPIA Y PLANA.

### • HERRAMIENTA NECESARIA: DESTORNILLADOR EN CRUZ.

\*\* Algunos pasos del ensamblaje pueden ya estar completados debido a un preensamblaje en fábrica. \*\*



**Remarque :** La lumière directe du soleil peut interférer avec l'affichage de l'écran à DEL. Trouvez une manière de faire de l'ombre si nécessaire.

**Pour régler la température :**

- Appuyez sur le bouton ON (Allumage).
- Appuyez une fois sur le bouton SET TEMP (Réglage de la temp.) - L'écran à DEL clignotera.
- Utilisez +/- pour régler la température.
- Appuyez de nouveau sur le bouton SET TEMP pour garder la température.

Remarque : Le fumoir ne commencera pas à chauffer tant que la minuterie n'a pas été programmée.

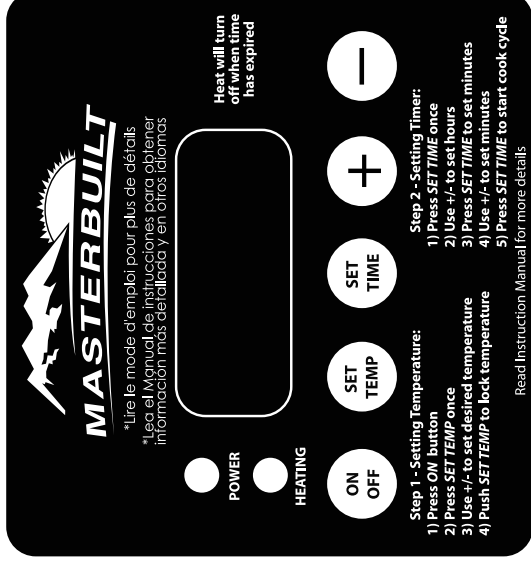
**Pour régler la minuterie :**

- Appuyez une fois sur le bouton SET TIME (Réglage de l'heure) - L'écran à DEL clignotera au niveau des heures.
- Utilisez +/- pour régler les heures.
- Appuyez de nouveau sur le bouton SET TIME pour enregistrer votre choix. L'écran à DEL clignotera au niveau des minutes.
- Utilisez +/- pour régler les minutes.
- Appuyez sur le bouton SET TIME pour enregistrer votre choix et lancer la cuisson.

**Le fumoir cessera de chauffer une fois le délai écoulé.**

**Pour RÉINITIALISER le panneau de commande :**

Si le panneau de commande affiche un message d'erreur, éteignez le fumoir électrique, débranchez l'appareil de la prise et patientez dix secondes, rebranchez l'appareil à la prise, puis allumez de nouveau le fumoir électrique. Cela permettra de réinitialiser le panneau de commande.



**Note:** Direct sunlight may interfere with ability to read LED display, block light if needed.

**To set temperature:**

- Press ON button.
- Press SET TEMP button once-LED display will blink.
- Use +/- to set temperature.
- Press SET TEMP button again to lock in temperature.

**Note:** Heating will not begin until timer is set.

**To set timer:**

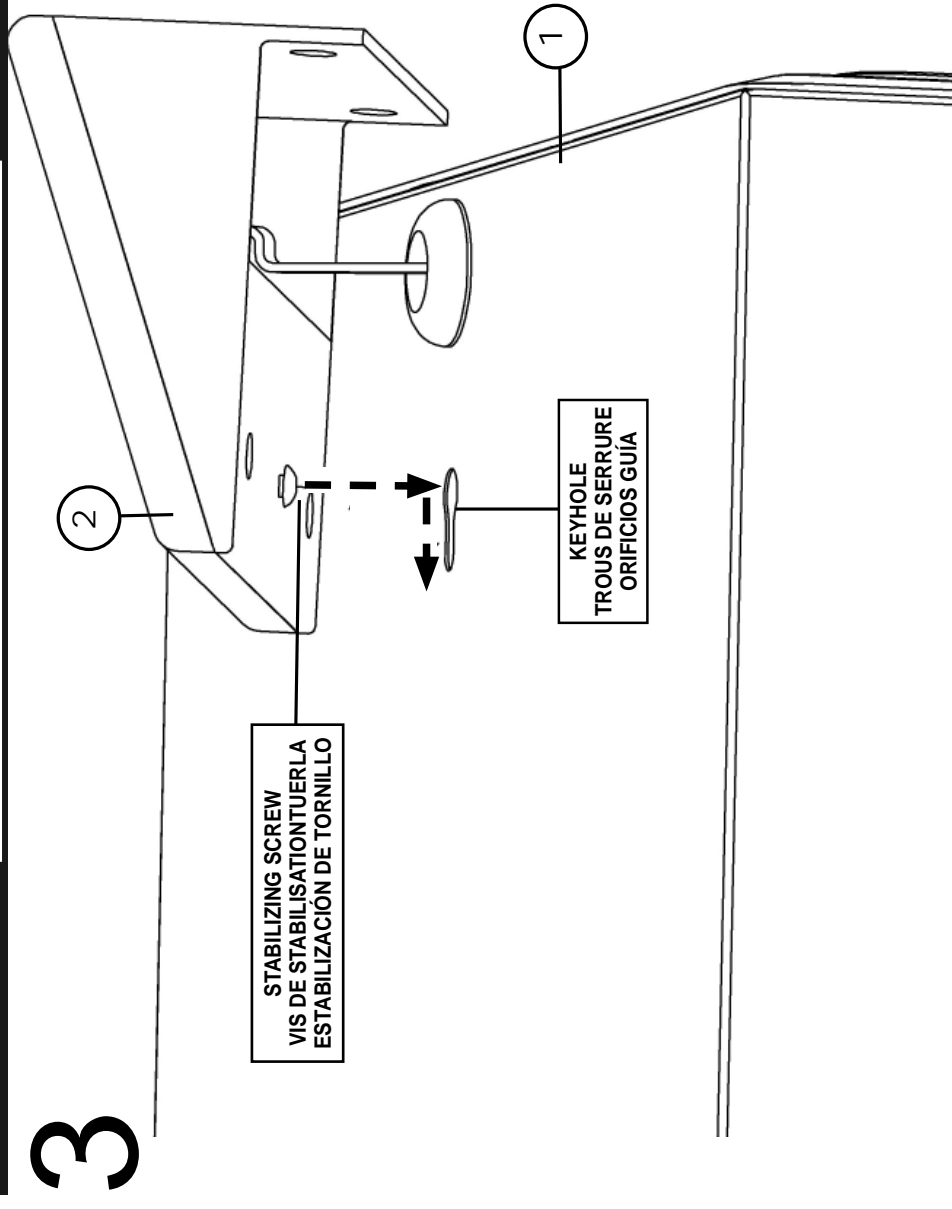
- Press SET TIME button once-LED display for hours will blink.
- Use +/- to set hours.
- Press SET TIME button again to lock in hours. The minutes LED will start blinking.
- Use +/- to set minutes.
- Press SET TIME to lock in minutes and start cook cycle.

**Heat will turn off when time has expired.**

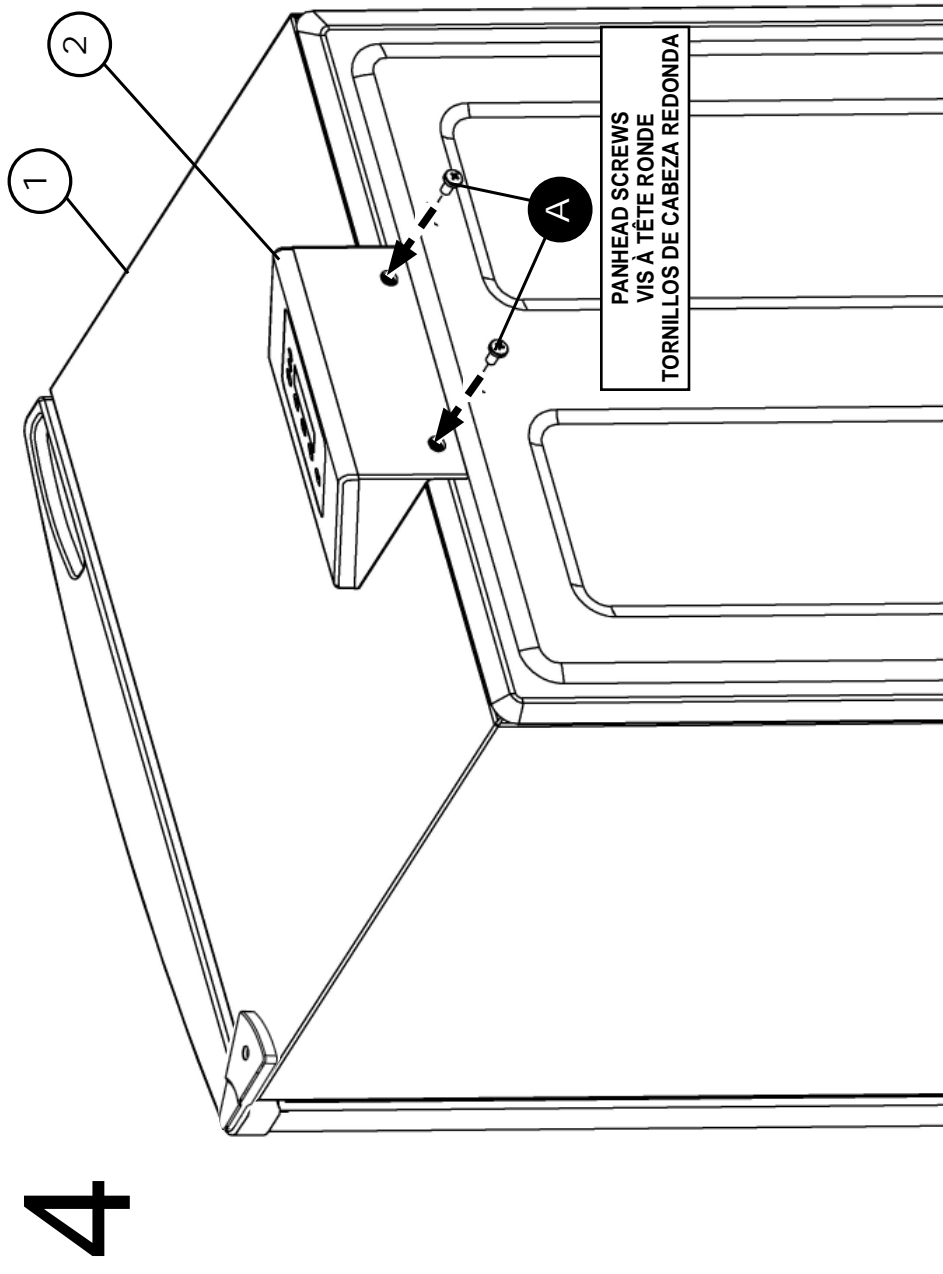
**To RESET control panel:**

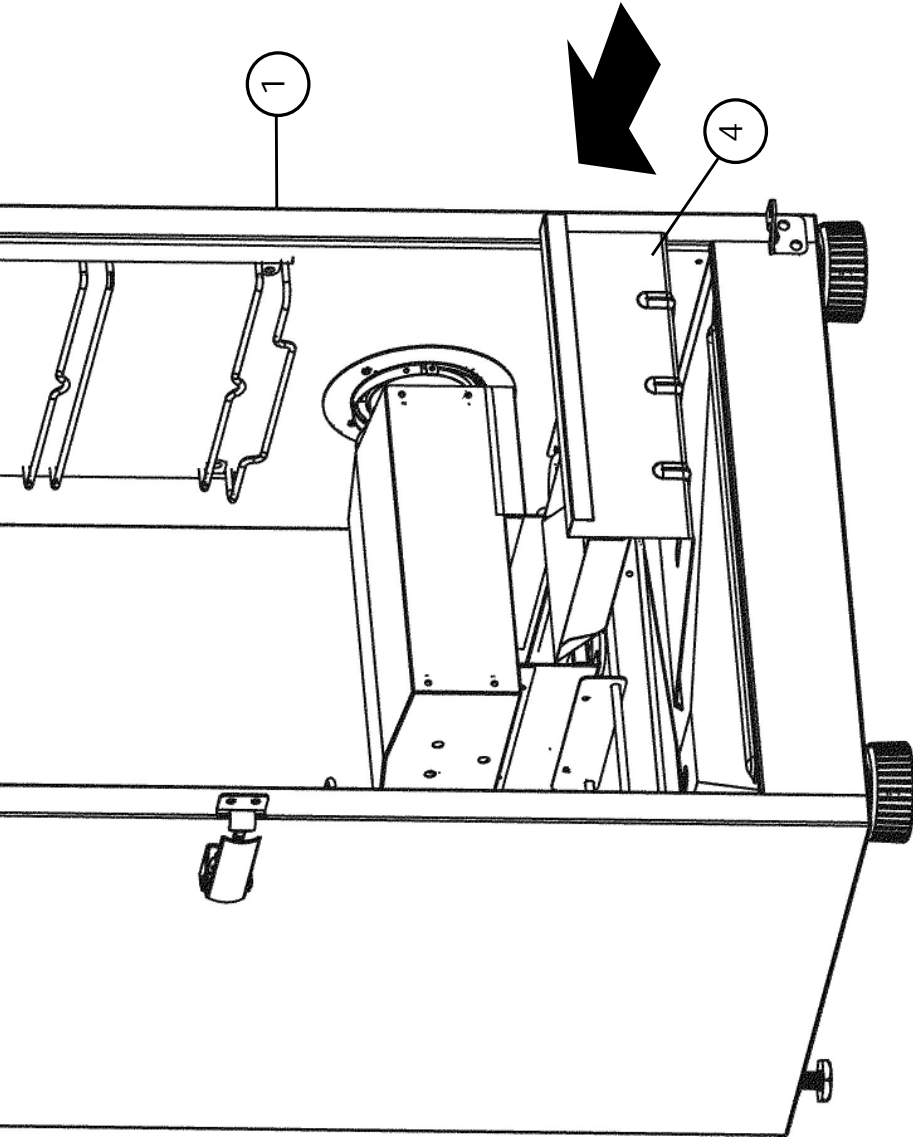
If control panel shows an error message, turn electric smoker off, unplug unit from outlet, wait ten seconds, plug unit back into outlet, then turn electric smoker on. This will reset control panel.

**3**

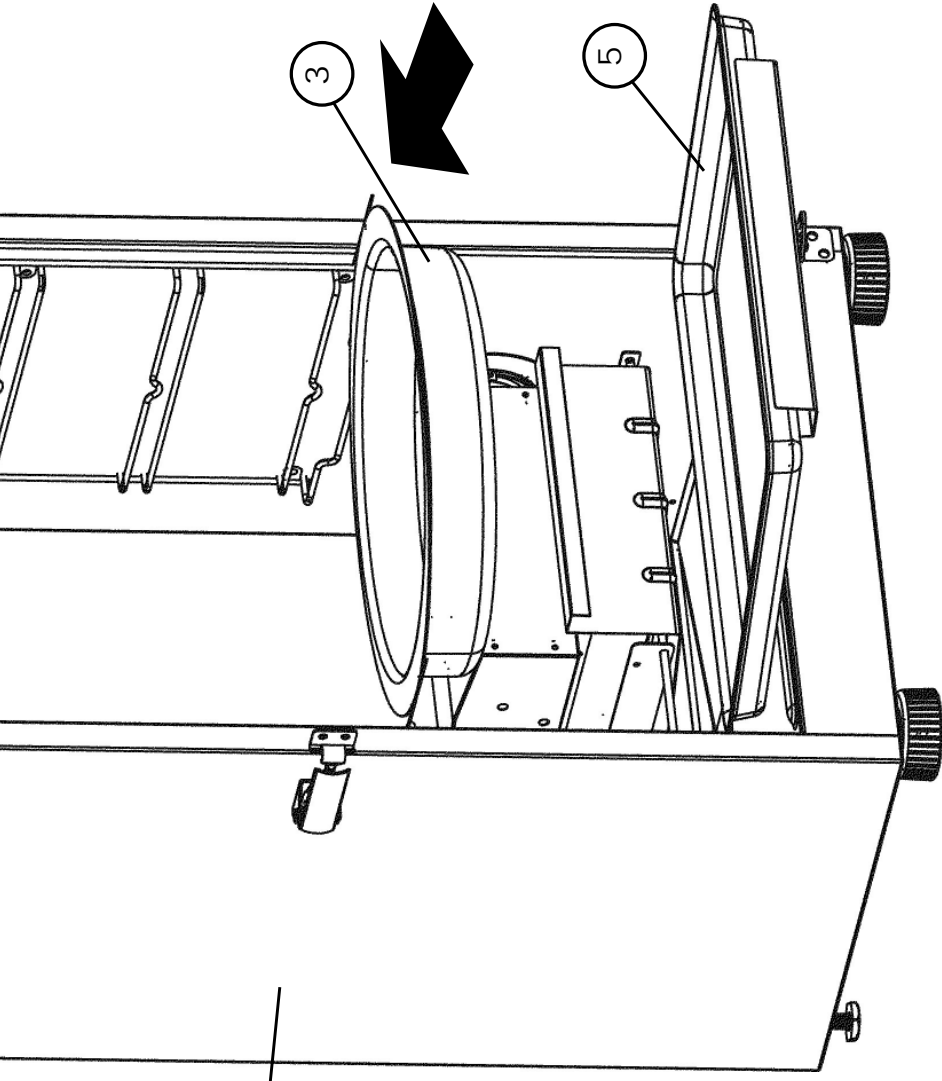


**4**

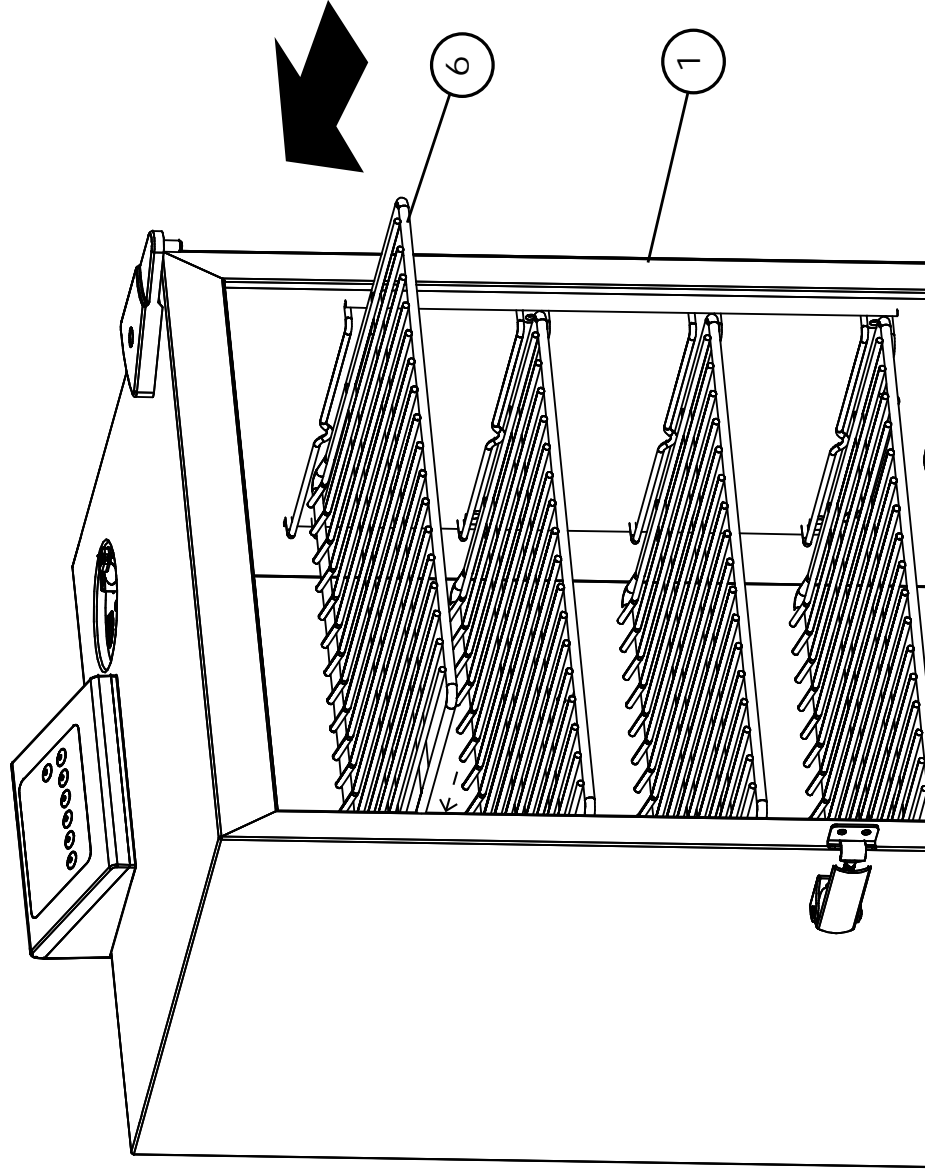




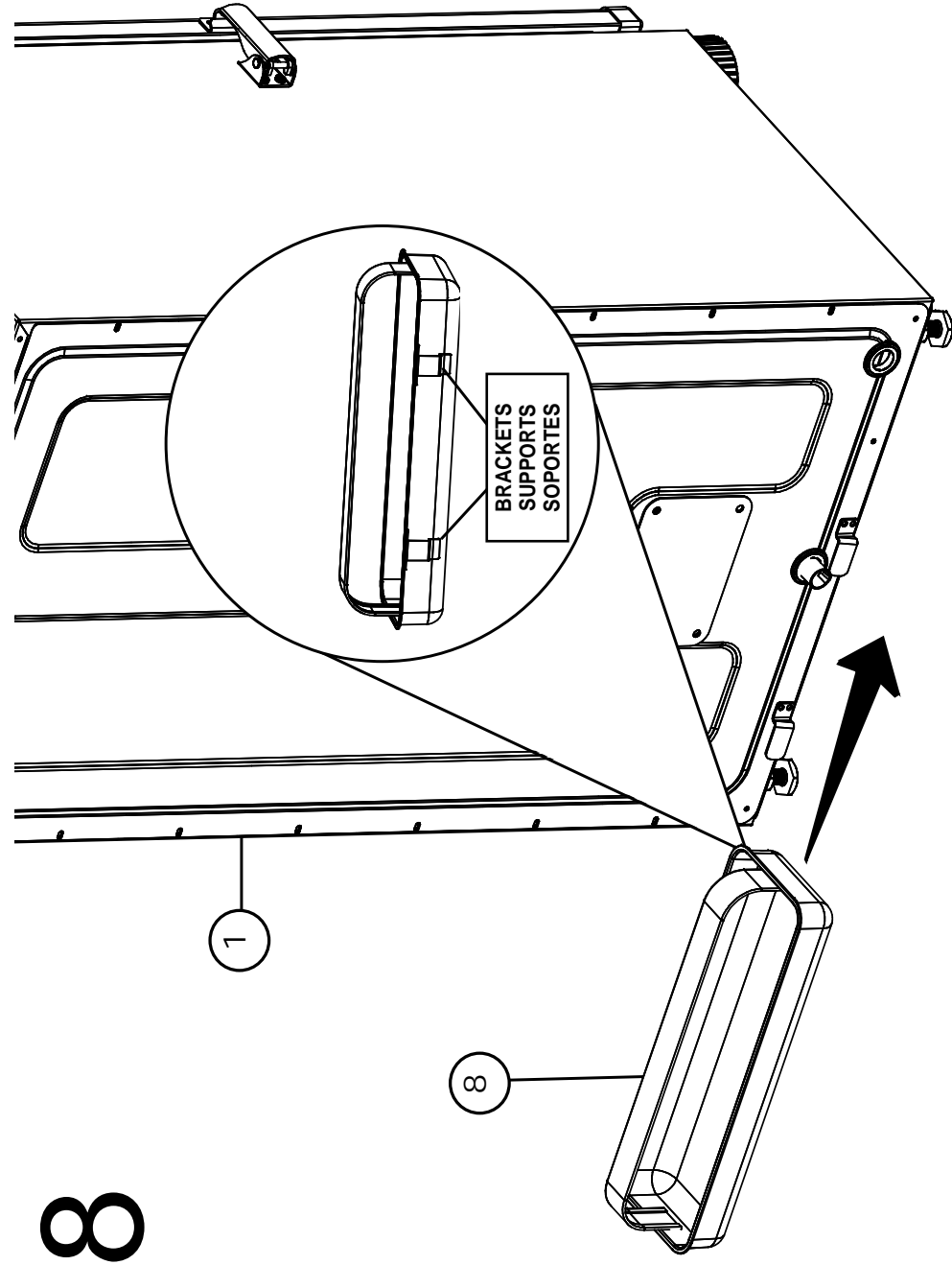
5



6



7



8