



WTG 150W LED Floodlight

Model Number

WTG-FL150W277

Performance Summary

- ⊙ 150W LED Floodlight, 85+lm/W, equivalent to 450W Metal Halide
- ⊙ High performance Samsung LED
- ⊙ Outdoor Application, IP65
- ⊙ Color temperature: 3000K 4000K 5000K 6000K
- ⊙ Certificate: UL/cUL (E364157)
- ⊙ 5 Year Warranty

Web: www.wtgled.com
Tel: 1-844- 312-4574
Email: sales@waytogoled.com
Address: 702 interchange BLVD Newark DE 19711, USA

SPECIFICATION



LM79
LM80



Application

Factories, gymnasiums, yards, advertising boards, buildings, lawns, garden designs and so on for outdoor.

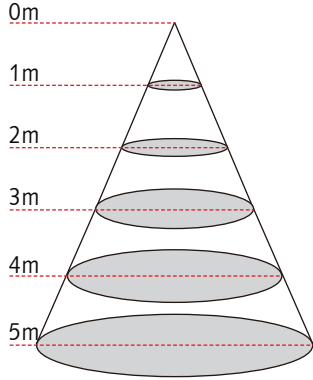
Features

- ⊙ Rated Voltage: AC 100V-277V, Operating frequency: 50-60HZ. Power factor > 0.8.
- ⊙ High efficiency Samsung LED, patented technology for LED integrated.
- ⊙ Protection level reaches to IP65, Insulation Class: CLASS 1.
- ⊙ Die-casting part is high quality aluminum alloy with high thermal conductivity.
- ⊙ 3.5mm lead-free super-white toughened glass.
- ⊙ LED driver efficiency up to 91%; Constant current accuracy 5%; LED works more stable.

Lamps Specification

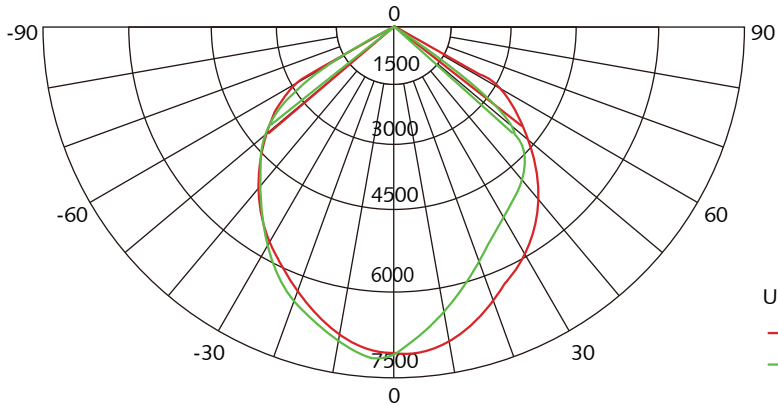
Item Number	WTG-FL150W277
Description	LED Flood Light
Input Voltage	100-240V / 277V~ / 1.8A max
Driver	Meanwell CLG-150-36A
Frequency Range	50Hz~60Hz
Total Harmonic Distortion	< 20%
Power Factor	> 0.95
LED Working Voltage	30~36V DC
LED Type	Samsung LA351A/B 55PCS
LED Consumption	150W
Lumen output	9964lm@3000K 11353lm@4000K 12089lm@6000K
Beam Angle	100 Degree
Lamp Efficiency	> 80%
Illuminance Uniformity	> 0.6
Color Temperature	3000K(Warm white) 4000K(Nature white) 6000K(Cool white)
Color Rendering Index	80Ra@3000K, 75Ra@5000K 70Ra@6000K
Light Distribution	Symmetrical/ Circle
Junction Temperature	< 80°C
Operation Temperature	from -30°C to + 40°C
IP Grade	IP65
Life Span	at least 50,000 hours
Connect Wire	L/N/G
Housing Material	Aluminum

Lux Chart



Model#	Height	Average Lux (lx)	Light range (dia.)
WTG-FL150W277	1M	2374	245cm
WTG-FL150W277	2M	593	490cm
WTG-FL150W277	3M	264	736cm
WTG-FL150W277	4M	148	981cm
WTG-FL150W277	5M	95	1226cm

Distribution curve



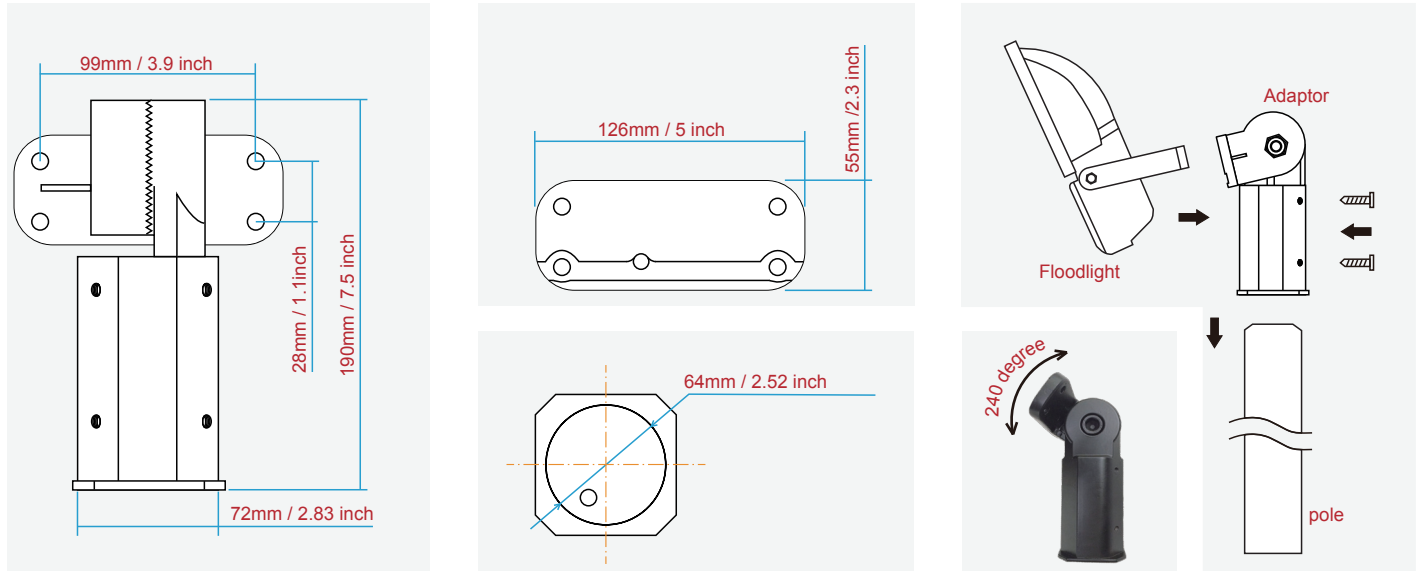
UNIT:cd

— C0/180, 102.9deg

— C90/270, 99.4deg

Average Beam Angle (50%) : 101.6 DEG

Adaptor of bracket mount



Floodlight adaptor of bracket mount to wall mount, only available for 100W, 120W & 150W (100~277V ac version)
A larger size U shaped bracket is needed for this adaptor.

Step 1

Connect floodlight with bracket

Step 2

Connect the floodlight&bracket with adaptor by 4 screws

Step 3

Set the adaptor into the pole

Step 4

Tighten the four screws