

SPECIFICATIONS

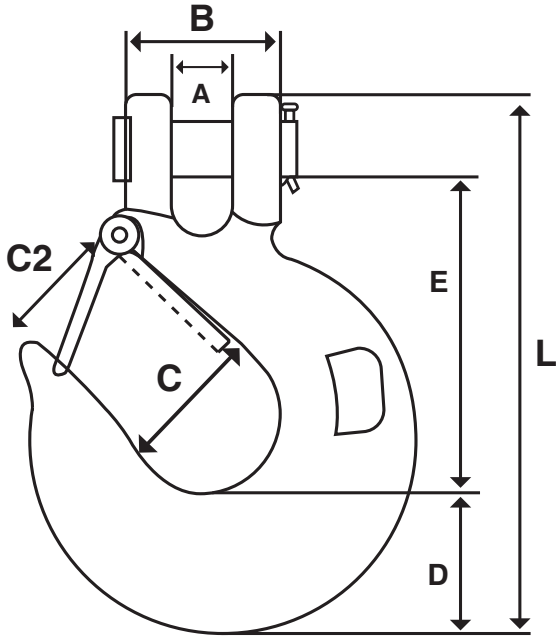
Includes:	Hook, Latch, Clevis Pin, Cotter Pin
Hook Type:	Slip with Safety Latch
Attachment Method:	Clevis Pin
Material:	Forged Steel
Grade:	70
Coating:	Painted Enamel Hook Black Oxide Pin Zinc Plated Cotter Pin Zinc Plated Latch
Color:	TEMCo Blue



TEMCo ID	Chain Diameter (in.)	Clevis Pin Diameter (in.)	Working Load Limit (WLL) DO NOT EXCEED	Minimum Breaking Load	Weight (lbs)
TH0055	1/4	0.365	2750 lbs	11,000 lbs	0.56
TH0056	5/16	0.403	4300 lbs	17,200 lbs	0.9
TH0057	3/8	0.45	5250 lbs	21,000 lbs	1.27
TH0058	5/8	0.75	13,500 lbs	54,000 lbs	4.95
TH0059	3/4	1	19,250 lbs	77,000 lbs	10.9

DIMENSIONAL DIAGRAM

All dimensions in inches.



TEMCo ID	A	B	C	C2	D	E	L
TH0055	0.43	1.06	0.79	0.633	0.87	2.60	4.06
TH0056	0.49	1.26	0.93	0.776	1.02	2.87	4.61
TH0057	0.59	1.54	1.14	1.162	1.16	3.33	5.26
TH0058	0.71	2.31	1.69	1.5	1.81	4.92	7.89
TH0059	1.16	3.19	1.97	2.116	2.36	6.17	10.08