

SKLZ» PRO MINI HOOP SYSTEM



INSTRUCTION MANUAL

IMPORTANT:
SAVE THIS INFORMATION IN THE EVENT
THAT THE MANUFACTURER NEEDS TO BE
CONTACTED FOR REPLACEMENT PARTS.

Thank you for choosing Pro Mini Hoop System. If there is anything else we can do to help your user experience, don't hesitate to send us an email (customerservice@sklz.com) or give us a call (1-877-225-7275).

SAFETY INSTRUCTIONS:

Always inspect the product prior to and after each use. If you find any flaw or defect, do not use the Pro Mini Hoop System and contact Customer Service for a replacement by e-mail (customerservice@sklz.com) or call (1-877-225-7275).

BEFORE YOU BEGIN:

To ensure safety, do not attempt to assemble this system without following the instructions carefully. Check entire box and inside all packing material for parts and/or additional instruction material. Before beginning assembly, read the instructions and identify parts using the hardware identifier and parts list in this document. Proper and complete assembly, use, and supervision are essential for proper operation and to reduce the risk of accident or injury. A high probability of serious injury exists if this system is not installed, maintained and operated properly.

- » Check base regularly for leakage. Slow leaks could cause system to tip over more easily.
- » Climate, corrosion or misuse could result in system failure.
- » This equipment is intended for home recreational use only and is not intended for excessive competitive play.
- » Read and understand all warning labels affixed to product and in this instruction manual.
- » The life of your basketball pole depends on many conditions. The climate, placement of the pole, location of the pole, exposure to corrosives such as pesticides, herbicides or salts are all important.
- » If technical assistance is required, contact Customer Service.
- » Adult supervision is recommended when adjusting the height.



Content and Product Information: ProMiniHoop.com
facebook.com/ProMiniHoop
instagram.com/prominihoop

! WARNING !

FAILURE TO FOLLOW THESE WARNINGS MAY RESULT IN SERIOUS INJURY AND/OR PROPERTY DAMAGE.

Owner must ensure that all players know and follow these rules for safe operation of the system.

- Only hang from the rim briefly to regain balance or avoid injuring others. Release the rim as soon as safely possible.
- During play, especially when performing dunk type activities, keep player's face away from the backboard rim and net. Serious injury could occur if teeth/face come in contact with backboard, rim or net.
- Do not slide, climb or play on base or pole.
- Completely fill base according to manufacturer's instructions or the system will tip quickly, causing serious personal injury.
- When adjusting height or moving system, keep hands and fingers away from moving parts.
- Do not allow children to move or adjust system.
- During play, do not wear jewelry, (rings, watches, necklaces, etc.). Objects may entangle in net.
- Surface beneath the base must be smooth and free of gravel or other objects. Punctures can cause leakage and could cause system to tip over.
- Keep standing water and organic material away from pole. Pole can rust and fail.
- Once a month check pole and all metal parts for rust. If rust has penetrated any steel part, replace that part immediately.
- Check system before each use for proper ballast, loose hardware, instability and signs of corrosion and repair before each use. Never play on damaged equipment.
- Do not use system during windy or severe weather. System may tip over. Place system in an area protected from the wind or in an area away from property that may be damaged in the system fails.

www.SKLZ.com

SAFETY INSTRUCTIONS

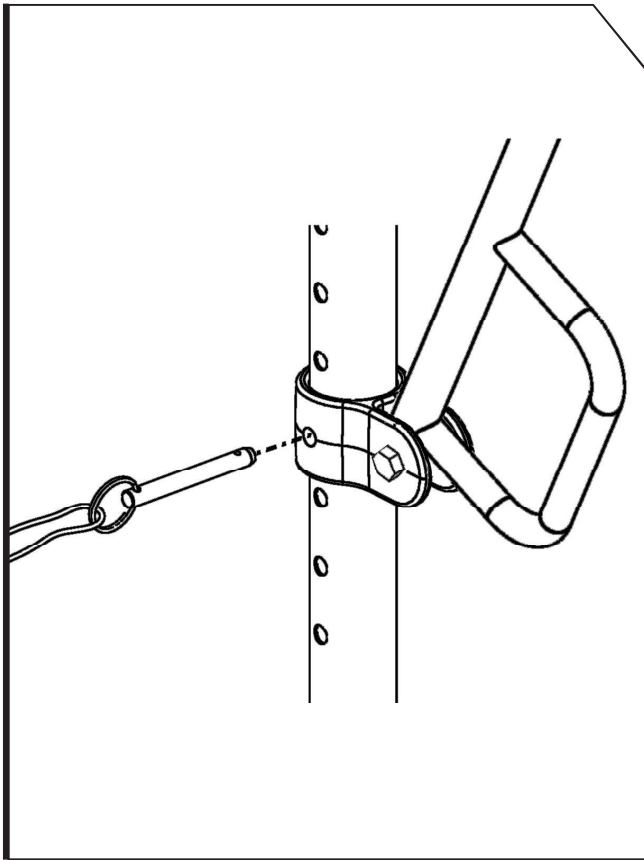
FAILURE TO FOLLOW THESE SAFETY INSTRUCTIONS MAY RESULT IN SERIOUS INJURY OR PROPERTY DAMAGE AND WILL VOID WARRANTY.

Owner must ensure that all players know and follow these rules for safe operation of the system.

To ensure safety, do not attempt to assemble this system without following the instructions carefully. Check entire box and inside all packaging material for parts and/or additional instruction material. Before beginning assembly, read the instructions and identify parts using the hardware identifier and parts list in this document. Proper and complete assembly, use, and supervision are essential for proper operation and to reduce the risk of accident or injury. A high probability of serious injury exists if this system is not installed, maintained, and operated properly.

- **If using a ladder during assembly, use extreme caution.**
- **Capable adults are recommended for this operation.**
- **Check base daily for leakage.**
- **Assemble the pole sections properly (if applicable). Failure to do so could cause the pole sections to separate during play or transport.**

*Most injuries are caused by misuse and/or not following instructions
Use caution when using this system.*



ADJUSTING THE HEIGHT

- 1 - Hold the Height Adjustment Lever with one hand and remove the Height Adjustment Pin with the other.
- 2 - Move the Height Adjustment Lever to the desired height, then push the Height Adjustment Pin back in to lock into place.

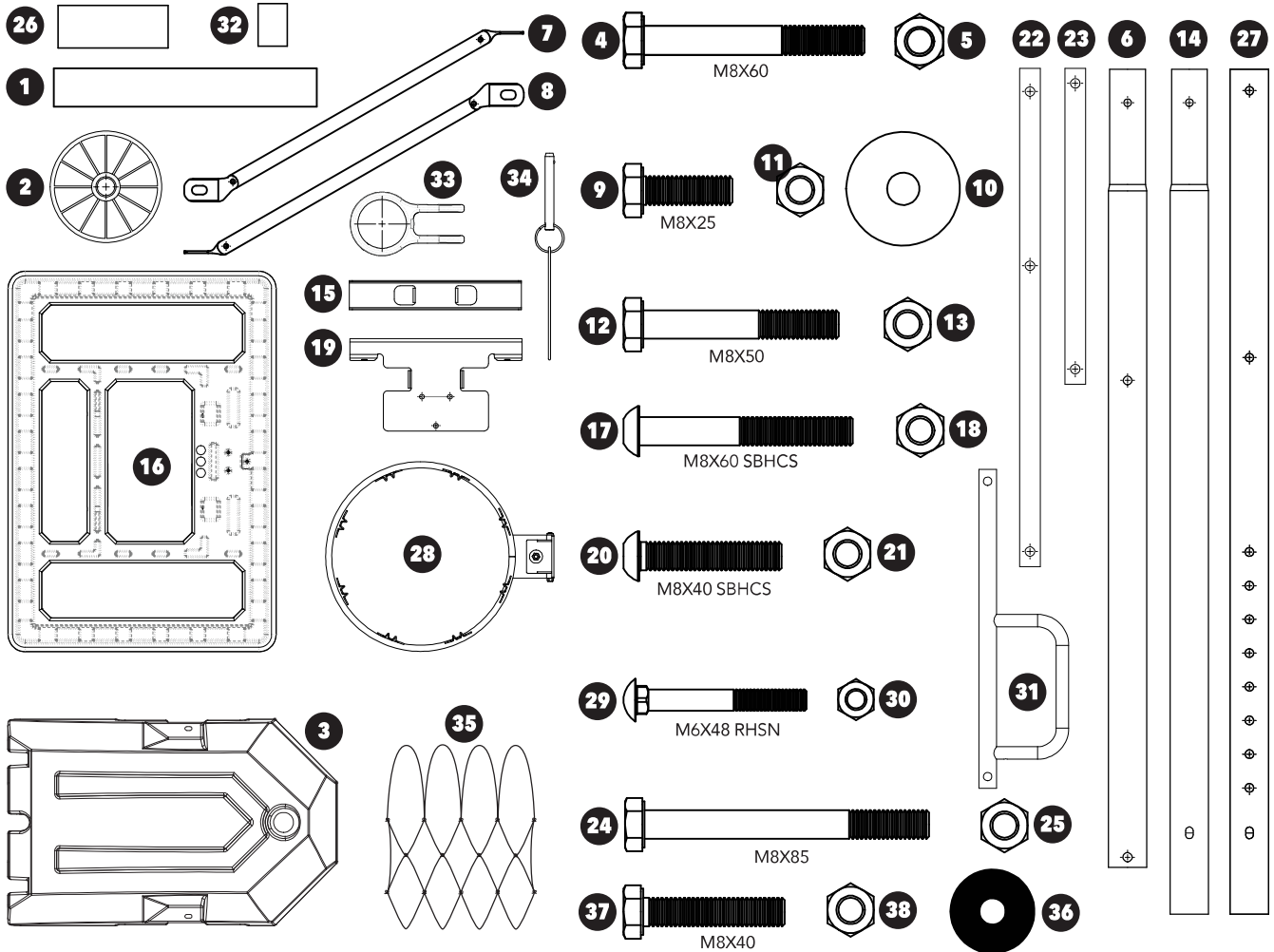


MOVING THE PRO MINI HOOP SYSTEM

- 1 - Lower the Rim to the lowest position.
- 2 - Hold the pole and tilt the unit back until the wheels contact the ground.
- 3 - Move to the new location.
- 4 - Slowly tilt the unit back to an upright position.
- 5 - Make sure the unit is stable before playing.

PARTS INCLUDED & TOOLS NEEDED

Not Drawn To Scale

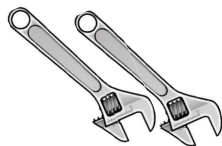


- | | | |
|-----------------------|-------------------------------------|------------------------------|
| 1. Axle (2) | 14. Center Pole | 27. Top Pole |
| 2. Wheel (2) | 15. Upper Backboard Bracket | 28. Rim |
| 3. Base | 16. Backboard | 29. M6X48 RHSN Bolt (3) |
| 4. M8X60 Bolt | 17. M8X60 SBHCS Bolt (2) | 30. M6X48 RHSN Nut (3) |
| 5. M8X60 Nut | 18. M8X60 SBHCS Nut (2) | 31. Height Adjustment Pole |
| 6. Base Pole | 19. Lower Backboard Bracket | 32. Short Spacer (2) |
| 7. Left Support Pole | 20. M8X40 SBHCS Bolt (2) | 33. Height Adjustment Slider |
| 8. Right Support Pole | 21. M8X40 SBHCS Nut (2) | 34. Height Adjustment Pin |
| 9. M8X25 Bolt (2) | 22. Lower Backboard Support Bar (2) | 35. Net |
| 10. M8X25 Washer (4) | 23. Upper Backboard Support Bar (2) | 36. M8 Plastic Washer |
| 11. M8X25 Nut (2) | 24. M8X85 Bolt (5) | 37. M8X40 Bolt |
| 12. M8X50 Bolt | 25. M8X85 Nut (5) | 38. M8X40 Nut |
| 13. M8X50 Nut | 26. Long Spacer (2) | |

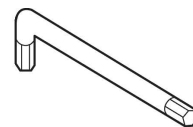
TOOLS YOU WILL NEED FOR ASSEMBLY



SAND AND/OR WATER

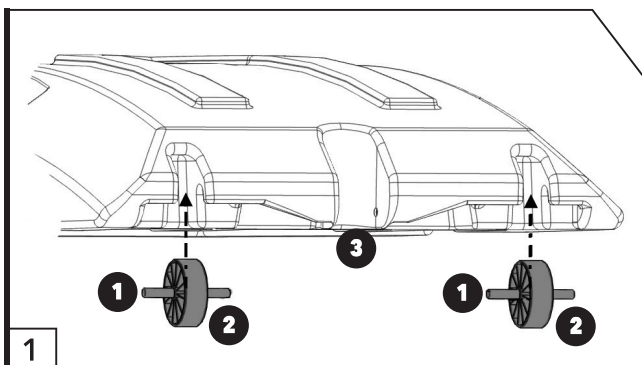


2 ADJUSTABLE WRENCHES

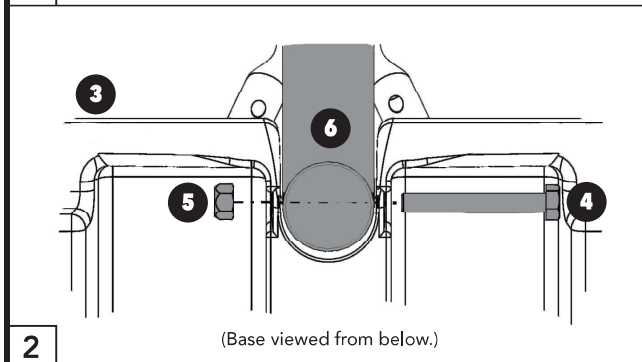


3/16 ALLEN WRENCH

**STEP 1
ASSEMBLE BASE**



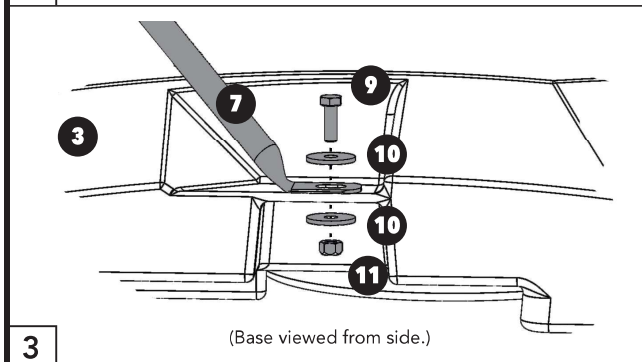
1 - Slide Axle (1) through wheel (2) and push into wheel well under the Base (3) until it locks into place. Repeat for other side.



2 - Use M8X60 bolt (4) and nut (5) to attach Base Pole (6) to Base. **HAND TIGHTEN ONLY UNTIL STEP 6.**

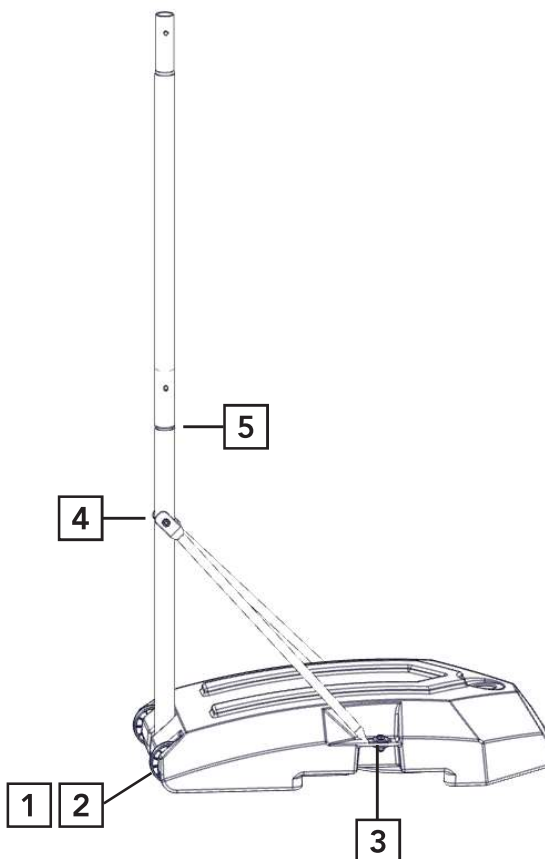
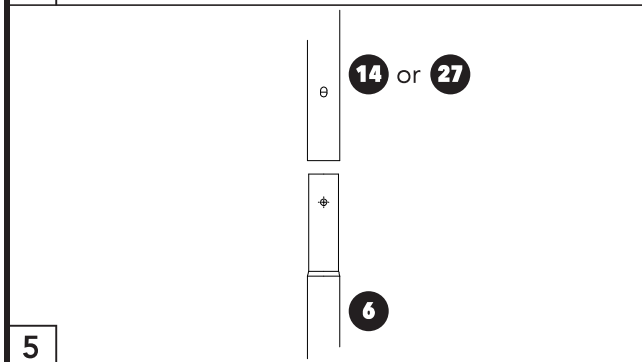
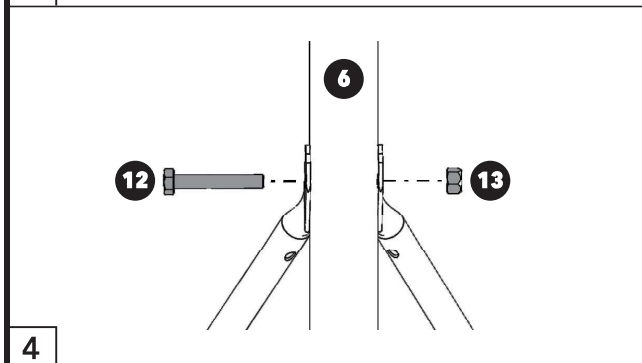
3 - Attach Left Support Pole (7) and Right Support Pole (8) (not shown) to Base (3) using M8X25 bolt (9), two washers (10) and nut (11). **HAND TIGHTEN ONLY UNTIL STEP 6**

4 - Using M8X50 bolt (12) and nut (13) attach Support Poles (7) and (8) to Base Pole (6). **HAND TIGHTEN ONLY UNTIL STEP 6.**

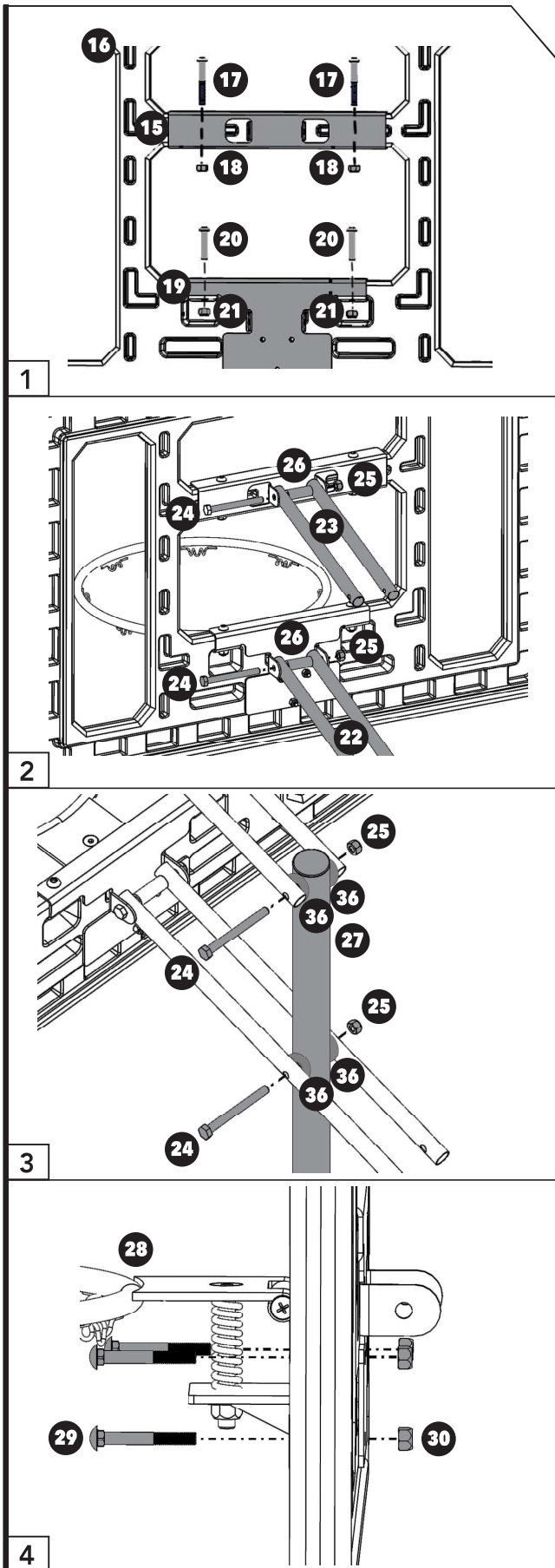


5 - Attach Center Pole (14) by sliding it down onto the Base Pole (6) until it clicks into place. For lower height, attach Base Pole (6) directly to Top Pole (27).

6 - With all the above components in place and fitted together correctly, use wrenches to fully tighten all bolts and nuts, securing the Base Pole (6) and Support Poles (7) and (8) to the Base (3).



STEP 2
ASSEMBLE BACKBOARD



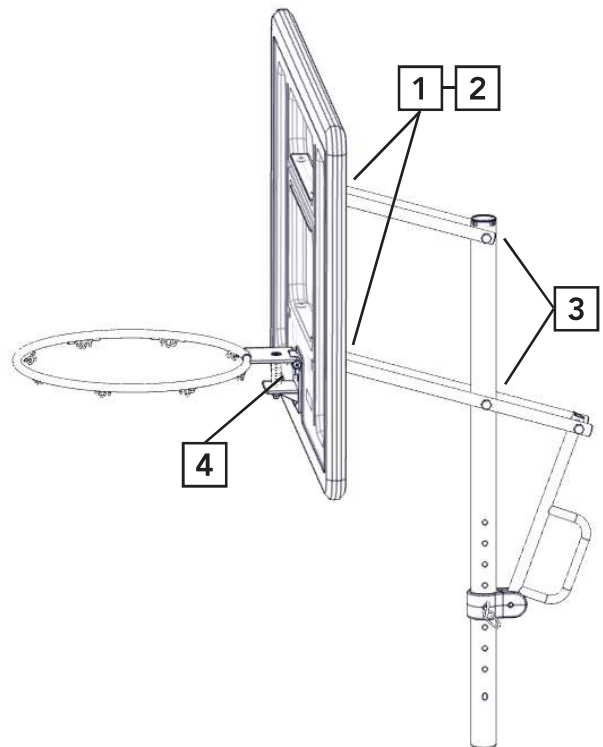
1 - Attach Upper Backboard Bracket (15) to Backboard (16) using M8X60 SBHCS bolt (17) and nut (18). Attach Lower Backboard Bracket (19) to Backboard (16) using M8X40 bolt (20) and nut (21).

2 - Attach Lower Backboard Support Poles (22) and Upper Backboard Support Poles (23) using M8X85 bolts (24), and nuts (25) with a long spacer (26).

NOTE: When attaching Lower Backboard Support Poles, align holes furthest from center holes.

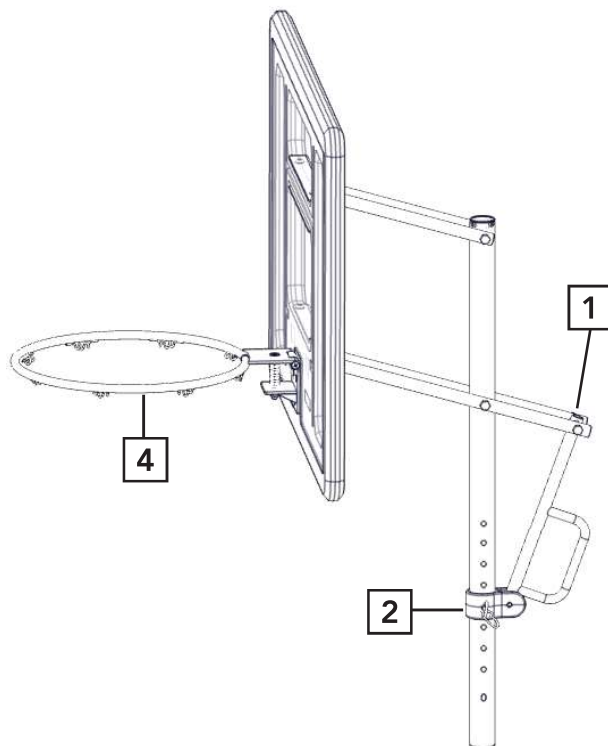
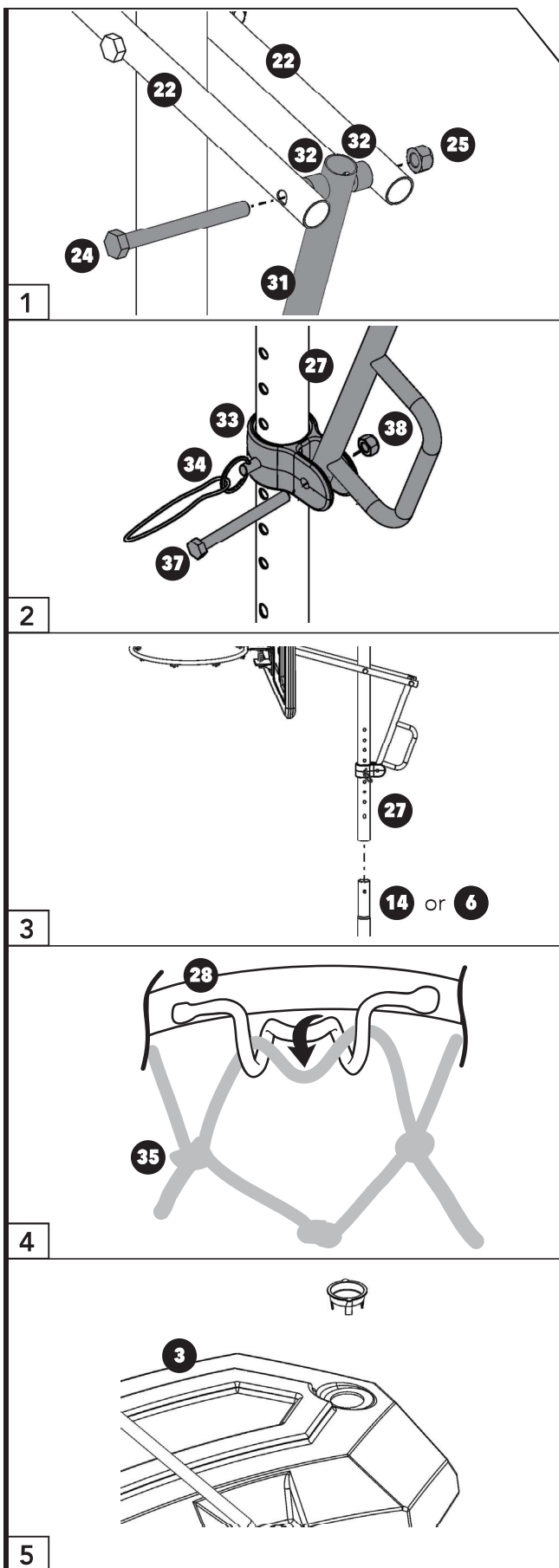
3 - Attach Backboard assembly from above to Top Pole (27) using M8X85 bolts (24), M8 plastic washers (36) and M8X85 nuts (25).

4 - Attach Rim (28) to Backboard using M6X48 bolts (29) and nuts (30).



STEP 3
ASSEMBLE BACKBOARD TO BASE

- 1 - Attach Height Adjustment Pole (31) to Lower Backboard Support Poles (22) with Short Spacers (32) using M8X85 bolts (24) and nuts (25).
- 2 - Slide Height Adjustment Slider (33) from base of pole over the Top Pole (27) and secure with Height Adjustment Pin (34) before attaching Height Adjustment Pole (31) using M8X40 bolt (37) and nut (38).
- 3 - Attach entire Backboard assembly to Base assembly by sliding the Top Pole (27) onto the Center Pole (14) or Bottom Pole (6) until it clicks.
- 4 - Attach the Net (35) to the Rim (28) by looping the long end of the net over the metal loops.
- 5 - Completely fill Base (3) with sand and/or water and replace cap before play.



⚠ CAUTION
IF USING WATER IN SUB-FREEZING CLIMATES, ADD ½ GALLON OF NONTOXIC ANTIFREEZE TO 9½ GALLONS WATER.

⚠ WARNING ⚠
WHEN THERE IS NO WEIGHT IN THE BASE, DO NOT LEAVE UNATTENDED. THE UNIT COULD TIP OVER AND COULD RESULT IN SERIOUS INJURY AND/OR PROPERTY DAMAGE.

SKLZ» PRO MINI HOOP™ SYSTEM

IDEA SUBMISSION

If you have an idea for a new and innovative sports training product, visit SKLZ.com to submit your concept. Some restrictions may apply.

V15

LIMITED WARRANTY

REGISTER YOUR PRODUCT AT SKLZ.COM TO ENSURE WARRANTY COVERAGE, GET NEW PRODUCT INFORMATION AND SPECIAL DEALS FROM SKLZ.

1 YEAR LIMITED WARRANTY. This warranty does not cover damages resulting from accident, misuse, abuse or lost merchandise, and is only valid in the USA. Register your product at SKLZ.com to ensure warranty coverage, and get new product information and special deals from SKLZ. Questions? Email: customerservice@sklz.com or call toll free: 877-225-7275

Made in China. ©2014 Pro Performance Sports, LLC. All rights reserved. Manufactured and distributed by SKLZ/Pro Performance Sports: 2081 Faraday Avenue, Carlsbad, CA 92008 U.S.A. SKLZ, SKLZ Pro Grade, SKLZ Chrome and Sport-Brella are registered trademarks of Pro Performance Sports, LLC., its subsidiaries and affiliates. Product features, appearance, and specifications may be subject to change without notice. Unauthorized duplication is a violation of applicable local and international laws.