

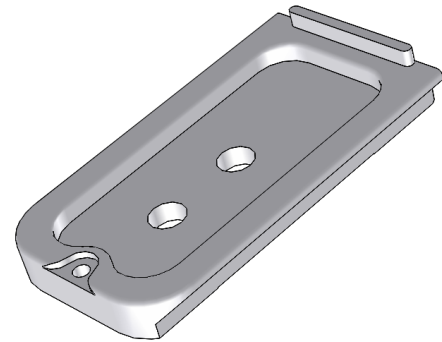
## About the AK-100

The AK-100 attaches to the Wimberley Sidekick's mounting base and serves two functions: it provides a dovetail width that more easily conforms to the limited clamping range of lever-style clamps, and also prevents the Sidekick from fully sliding out of a compatible quick-release clamp if the clamping mechanism should accidentally become loosened.

For Sidekick use with lever-style clamps, the AK-100 is mandatory, and it is highly recommended for use with traditional twist-knob clamps as well. If the face of your quick-release clamp has compatible safety stop grooves (clamps made by Wimberley, Really Right Stuff, Kirk, and others), the AK-100 stop screw should be installed to insure that the Sidekick does not accidentally slide out of your ball head's clamp.

# Wimberley

## AK-100 Sidekick Safety Plate



Weight: 1.5 oz

Dimensions (L x W x H): 2.75" x 1.5" x 0.42"

Materials: Anodized 6061 Aluminum, stainless steel

### Package Contents:

- **Arca-Swiss Plate:** AK-100 Sidekick Safety Plate (Qty 1)
- **Mounting Screws:** 1/4-20 x 1/2" Button-Head Screw (Qty 2)
- **Safety Stop Screw:** M3 x 6mm (Qty 1)
- **Hex Key:** 5/32" (Qty 1)
- **Hex Key:** 2.5mm (Qty 1)

Made in USA 

Wimberley, Inc.

1750 Broadway St  
Charlottesville, VA  
22902 USA

Phone: 1-434-529-8385

Toll Free: 1-888-665-2746 (USA & Canada)

[www.tripodhead.com](http://www.tripodhead.com) [info@tripodhead.com](mailto:info@tripodhead.com)

5 Year Warranty – See [www.tripodhead.com/warranty.cfm](http://www.tripodhead.com/warranty.cfm) for complete details

### Attaching the AK-100 Plate to your Sidekick:

Use the two 1/4-20 button-head screws and their appropriate hex key to secure the adapter plate to your Sidekick as shown in Figure 1.

**Note:** In some cases, the threaded holes in the Sidekick casting are contaminated with a small amount of powder coating residue. This should not prohibit attachment of the AK-100, but it may make it more difficult to start the threads and create more resistance when tightening the fasteners. It may help to start the screws through the opposite side of the mounting area if you see paint inside the threads.

**We suggest that you take extra care to make sure that the fasteners are threading properly into the casting when starting the threads.**  
Contact us if you have difficulty attaching your AK-100 plate.

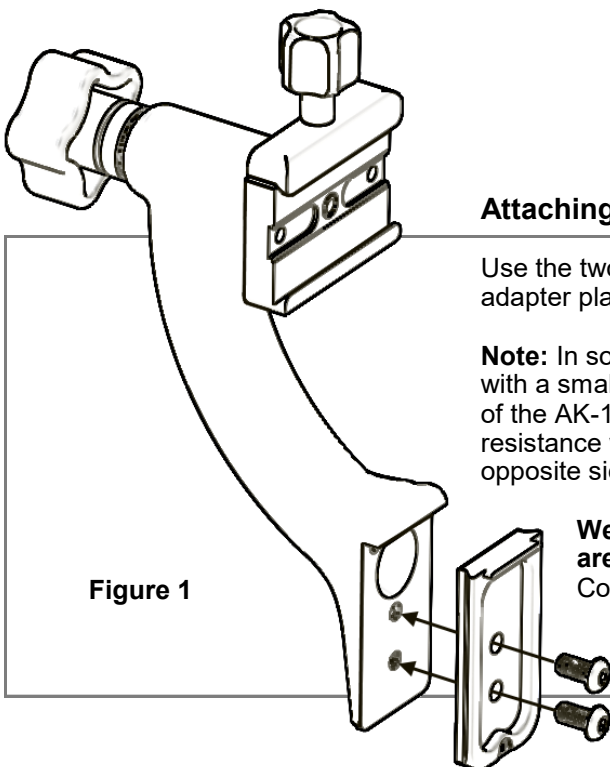
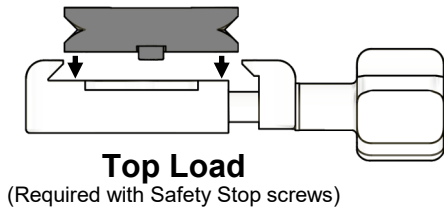


Figure 1

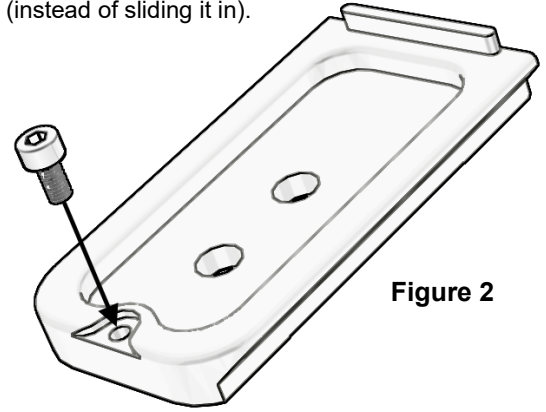
Instructions continued on back >>

## — Using the Optional Safety-Stop Screws

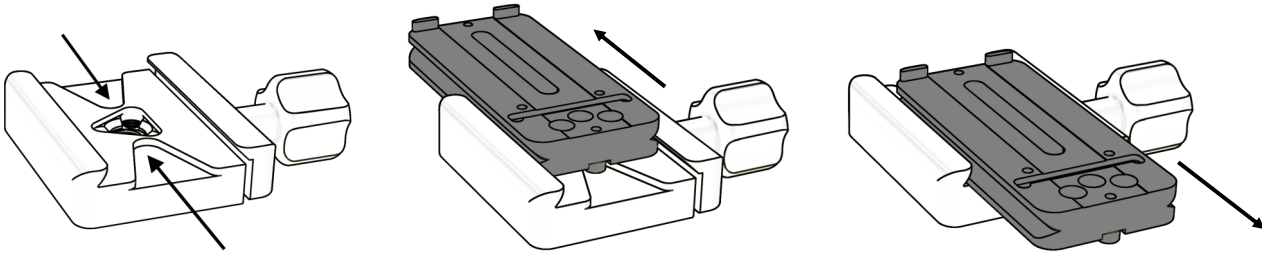
Your Wimberley foot comes with two safety stop screws and a matching 2.5mm hex key. Two of these screws are intended to be screwed into the small bottom threaded holes in the front and back of the foot (Fig. 3) to serve as stops that prevent the foot from accidentally sliding out of the quick-release clamp. If you opt to use both stops, you must open the jaws of the quick-release clamp wide enough to load your lens from the top (instead of sliding it in).



Top Loading is less convenient, but you can be certain that your lens will not slide out of the clamp.

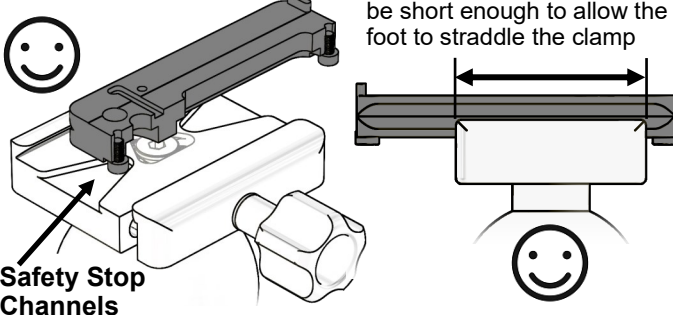


**Safety Stop Channels** We recommend using clamps with safety stop channels. These channels allow a full range of forward and backward motion but will not let the plate slip out if the clamp is inadvertently loosened.



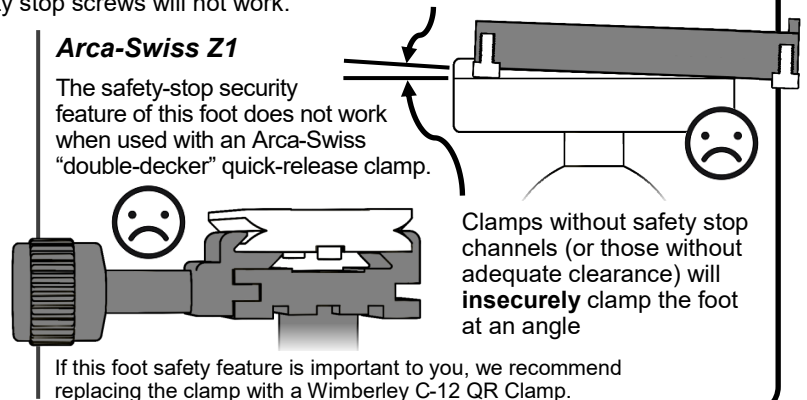
**⚠ 3rd Party Clamp Warning:** Our safety stop screws work with most 3rd party quick-release clamps, but clamps that do not have channels and are too wide to be straddled by the safety stop screws will not work.

Your clamp must have safety stop channels **OR**



### Arca-Swiss Z1

The safety-stop security feature of this foot does not work when used with an Arca-Swiss "double-decker" quick-release clamp.



**Thank you for your interest in Wimberley products.** If you have any questions or comments please feel free to contact us.