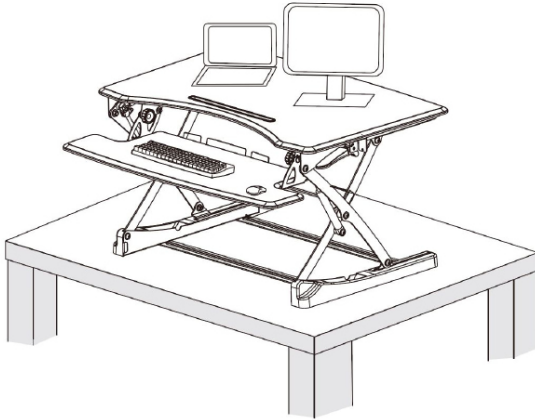


---

## Black 35" Desk Riser

### Instruction Manual



**SKU: DESK-V000Z**



Scan the QR code with your mobile device or follow the link for helpful videos and specifications related to this product.

<https://vivo-us.com/products/desk-v000z>



help@vivo-us.com



www.vivo-us.com



309-278-5303

# **WARNING!**

If you do not understand these directions, or if you have any doubts about the safety of the installation, please call a qualified technician. Check carefully to make sure there are no missing or defective parts. Improper installation may cause damage or serious injury. Do not use this product for any purpose that is not explicitly specified in this manual and do not exceed weight capacity. We cannot be liable for damage or injury caused by improper mounting, incorrect assembly, or inappropriate use.

## **WARNING: CHOKING HAZARD**

SMALL PARTS - NOT FOR CHILDREN UNDER 3 YEARS. ADULT SUPERVISION IS REQUIRED.

## PACKAGE CONTENTS



**A** (x1)  
Desktop



**B** (x2)  
Keyboard Bracket



**C** (x1)  
Keyboard Tray



**D** (x6)  
M5x10 Screw



**E** (x6)  
M5x12



**F** (x2)  
Zip tie



**G** (x1)  
Cable Clip

## TOOLS NEEDED



Phillips  
Screwdriver

## **WARNING** **PINCH POINT**

DO NOT place hands on or near support bars. Moving parts can crush and cut. Pinch points are created during lifting and lowering the worksurface. Failure to follow these instructions may result in serious personal injury.



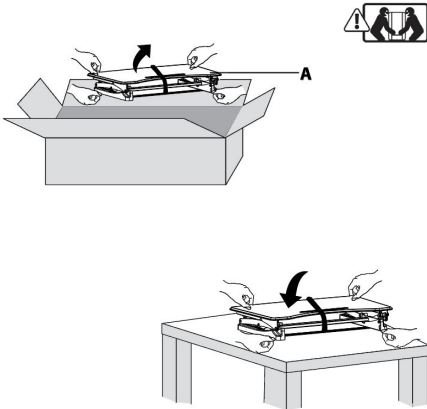
DO NOT EXCEED WEIGHT CAPACITY.  
Failure to do so may result in serious injury.



## ASSEMBLY STEPS

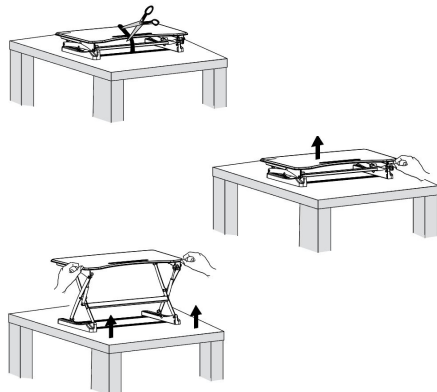
### STEP 1

Carefully remove desk **(A)** from packaging and set on table.



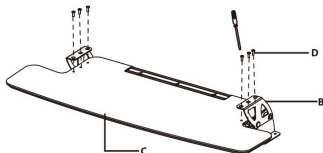
### STEP 2

Remove shipping strap from the desk **(A)**. Squeeze handle and lift desktop to maximum height.



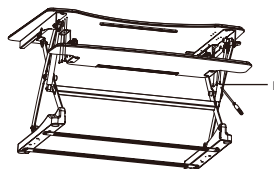
### STEP 3

Flip keyboard tray (C) upside down and attach brackets (B) to tray using M5x10 screws (D) with a Phillips screwdriver.



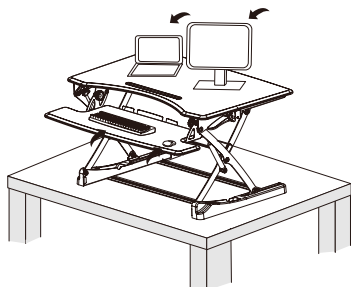
### STEP 4

Mount keyboard tray to desktop using M5x12 screws (E) with a Phillips screwdriver.



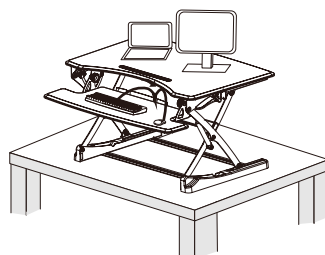
### STEP 5

Place laptop, monitor, and other items on desk surface.



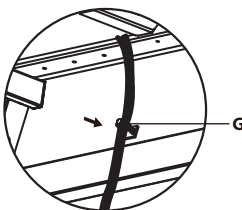
### STEP 6

Place keyboard and mouse cables through slots in back plate for organization.



### STEP 7

Manage cables using zipties (F) and cable clip (G).



**CAUTION!**



Keep monitor and laptop base fully on the desktop.



Follow the cable routing instructions to avoid the potential to pinch cables.



Leave enough slack in cable to allow for full range of vertical motion (15" / 38 cm).



Raise desktop slowly to keep items stable.

Failure to follow these instructions may result in property damage and/or personal injury.



Love your new VIVO setup and want to share?

Tag us in your photo! [@vivo\\_us](#)

LAST UPDATED: 09/16/2019



Open **Monday-Friday from 7:00am-7:00pm CST**,  
our dedicated support team can offer immediate assistance with rapid response times.  
If any parts are received damaged or defective, please contact us.  
We are happy to replace parts to ensure you have a fully functioning product.



[help@vivo-us.com](mailto:help@vivo-us.com)

**AVG. RESPONSE TIME** (*within office hrs*): **1HR 8M**

- 23% within < 15m
- 38% within < 30m
- 61% within < 1hr
- 83% within < 2hr
- 92% within < 3hr



[www.vivo-us.com](http://www.vivo-us.com)

**AVG. RESOLUTION TIME** (*within office hrs*): **< 15 M**



309-278-5303

**AVG. RESOLUTION TIME** (*within office hrs*): **5M 4S**

FOR MORE VIVO PRODUCTS, CHECK OUT OUR WEBSITE AT: [www.vivo-us.com](http://www.vivo-us.com)