

E U R O —
— *t e c h*

PRODUCT DOSSIER

DEWALT

SCROLL SAW

DW788

JAN 1998

Contents

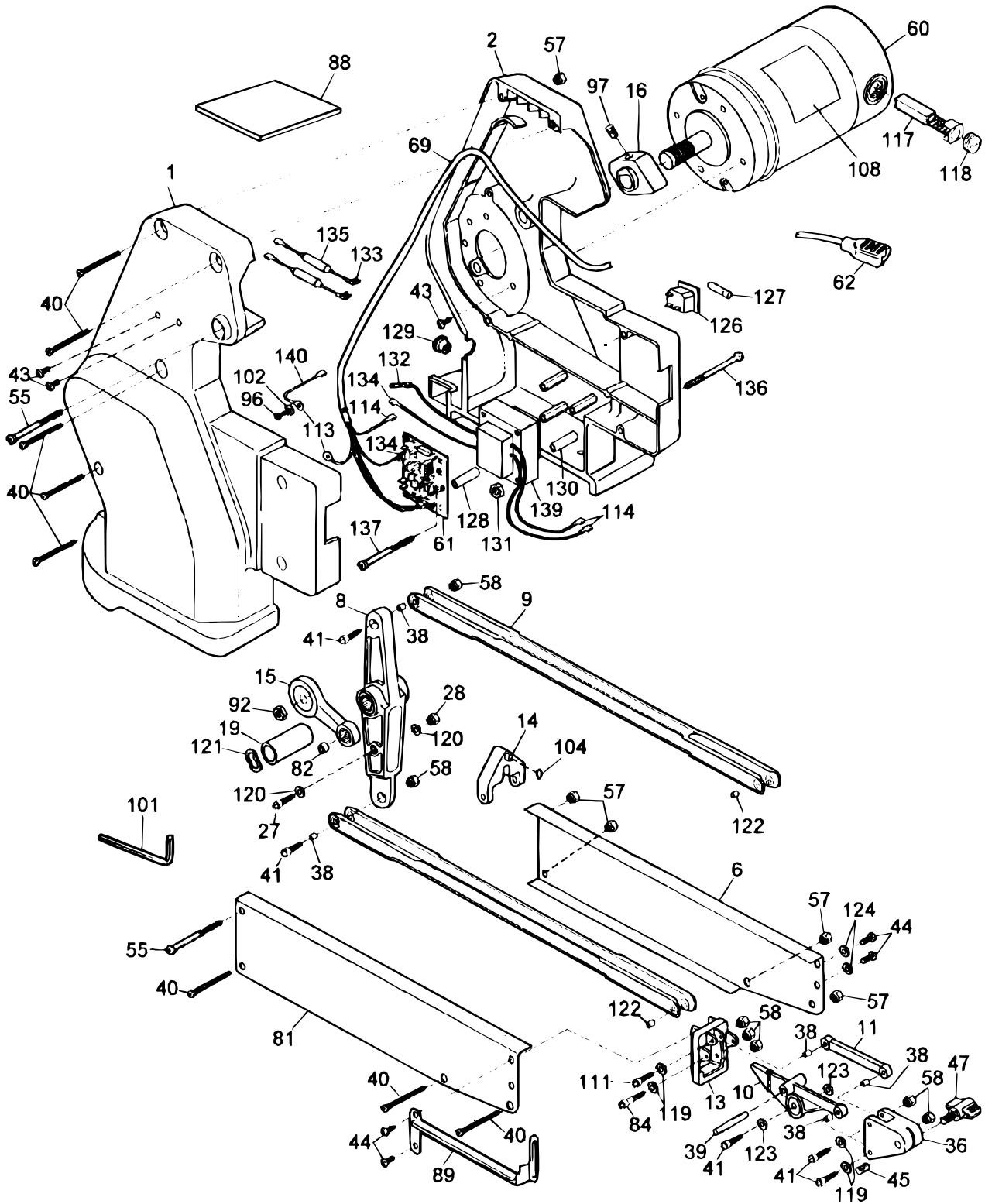
Attached to this dossier:

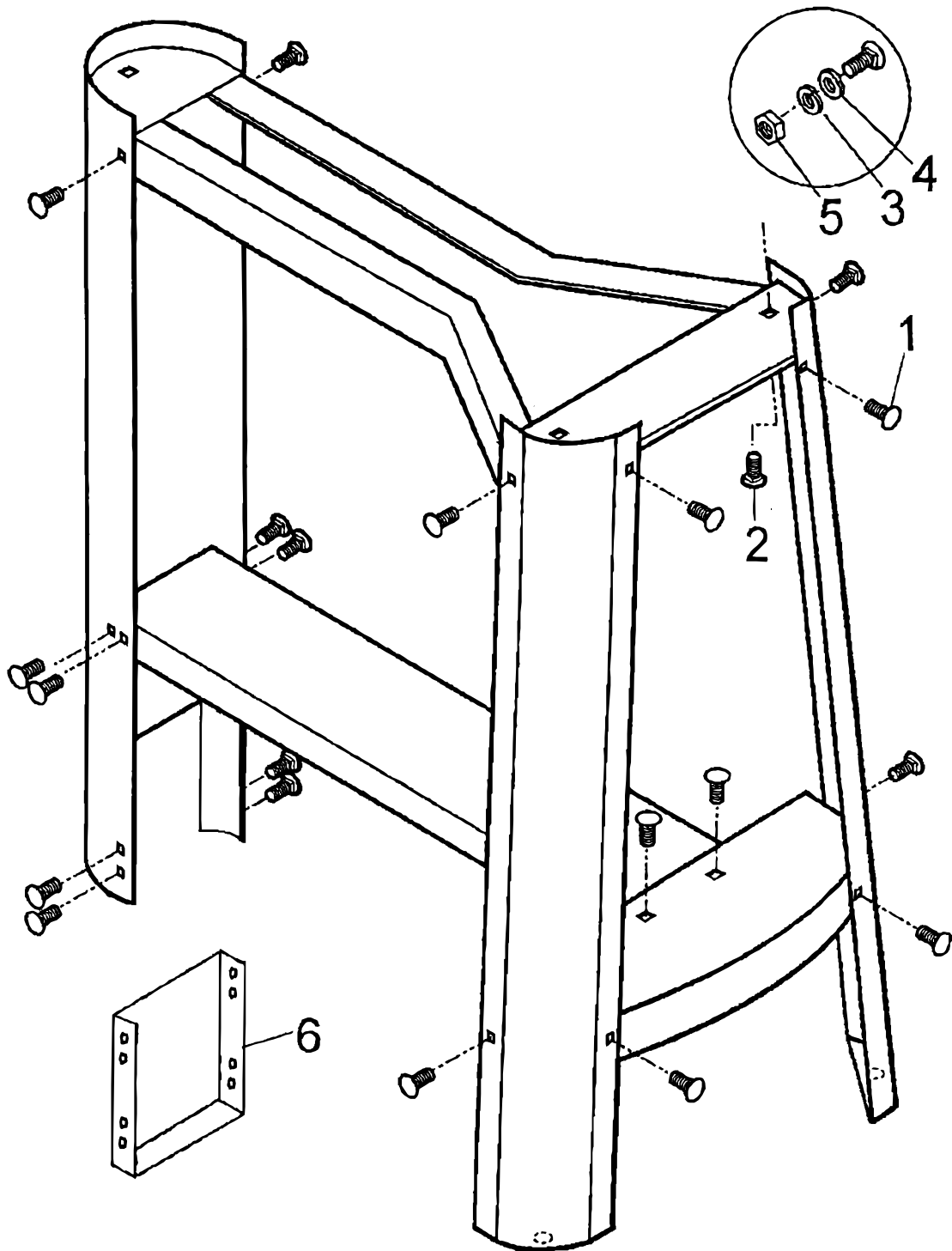
Copy of service parts lists	DW788-----A, DW7880----A
Copy of service parts drawings	E12489, E12490, E12491
Copy of Marketing Information	See attached API sheets

Introduction

Introduce the new Scroll Saw for European markets, the Information will be included on the next microfiche, CD-ROM issue. Please refer to the parts list for details of the market variables. The new part numbers are on change notes A5535 to A5541, and A5556.

Capacity	508 mm
Voltage	230 v
No load motor speed	400-1750 rpm
Manufacturing plant	Canada (Sourced- Sommerville)
Service parts warehouse	Perth Ave. UK
Launch markets	Europe
Launch date	Mar. 1998



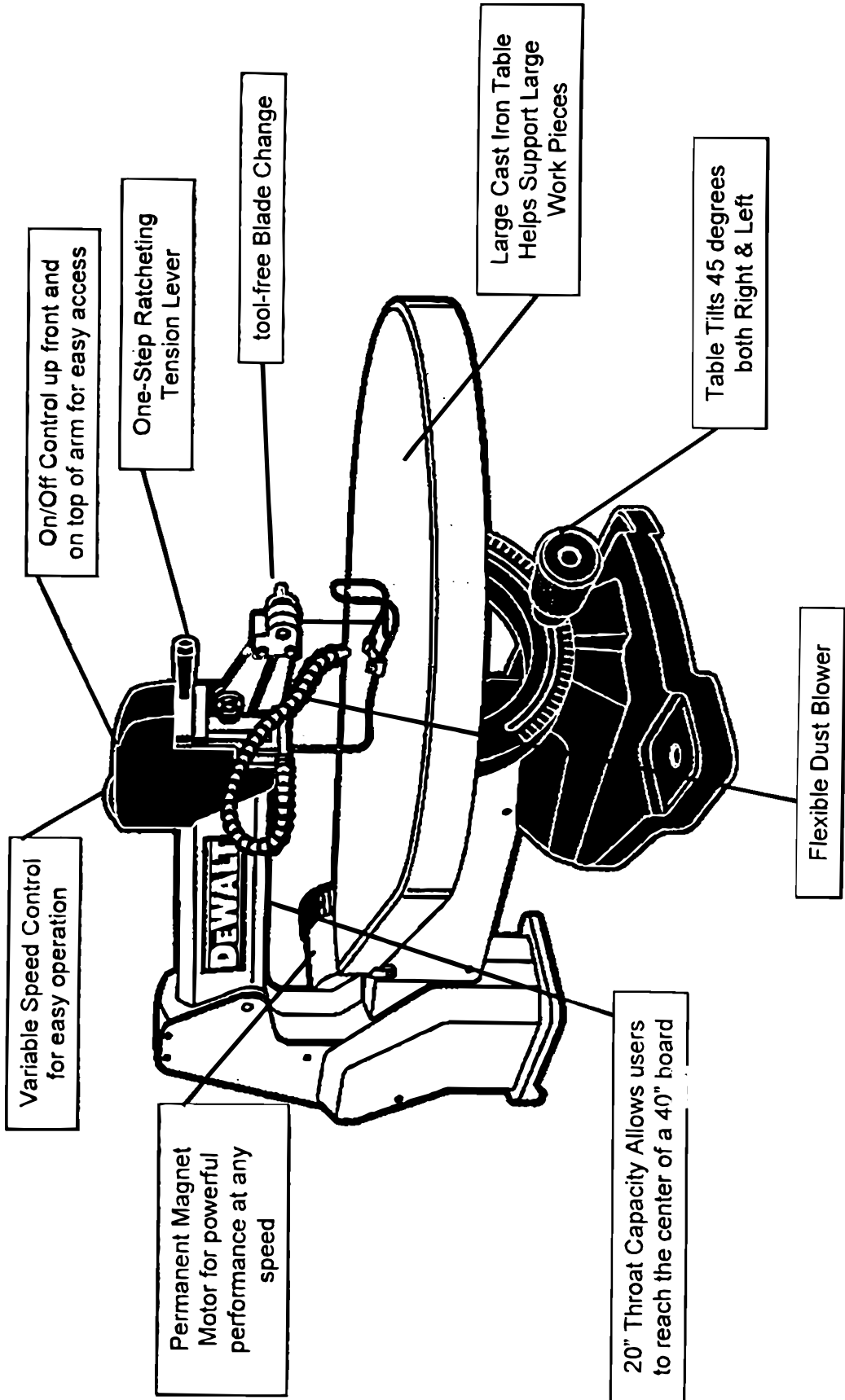


ITEMDESCRIPTION	PART NO.	QTY	VARIANT DESCRIPTION
1 HOUSING LH	286380-00	1	
2 HOUSING RH	429565-00	1	
3 BASE	286263-00	1	
4 TRUNNION	286264-00	1	
5 TABLE	286265-00	1	
6 COVER RH	286266-00	1	
7 ARM HORIZONTAL	286267-00	1	
8 ARM LINK	286268-00	1	
9 ARM STROKE	286269-00	2	
10 PIVOT	286270-00	2	
11 STRUT	286276-00	2	
12 HOUSING FRONT	286277-00	1	
13 BRACKET .INNER	286278-00	1	
14 BRACKET	286279-00	1	
15 CON ROD SA	286280-00	1	
16 COUNTERWEIGHT	286281-00	1	
19 PIVOT SHAFT	286282-00	1	
23 TENSION BLOCK	286283-00	1	
24 ROD	286284-00	1	
25 BEARING	286285-00	1	
26 CAM	286286-00	1	
27 SCREW	286287-00	1	
28 NUT M5	286288-00	1	
30 BELLOWS	286289-00	1	
31 CAP	286290-00	1	
32 SCREW	98003-10	2	
33 BAR	286291-00	1	
34 FOOT	286292-00	1	
36 BLADE CLAMP	286293-00	2	
38 SLEEVE	286294-00	8	
39 SLEEVE	286295-00	2	
40 SCREW	286296-00	8	
41 SCREW	286297-00	8	
42 SCREW	286298-00	2	
43 SCREW	286299-00	4	
44 SCREW	286300-00	13	
45 GRUB SCREW	286301-00	2	
46 KNOB	145439-04	1	
47 KNOB SA	286303-00	2	
52 SCREW	286304-00	1	
55 SCREW	286305-00	2	
57 NUT	330021-01	9	
58 STOP NUT	330021-00	12	
60 MOTOR SA 230V	286306-00	1	
61 PCB SA	286308-00	1	
62 CABLE & PLU	429541-00	1	M-AT-BE-DE-ES-FR-GR
62 CABLE & PLU	429541-00	1	M-CH
62 CABLE & PLU	429541-00	1	M-DK-FI-NO-SE
62 CABLE & PLU	429534-00	1	M-GB
62 CABLE & PLU	429541-00	1	M-IT-PT-TR
64 SWITCH	286309-00	1	
67 KNOB	286310-00	1	
68 NOZZLE BLOWER	286311-00	1	
69 SLEEVE	429566-00	1	
71 HOUSING	286313-00	1	
74 SCREW WING	326573-01	1	
75 SCREW	286316-00	1	
76 INDICATOR	286317-00	1	
78 SCREW	98012-10	4	

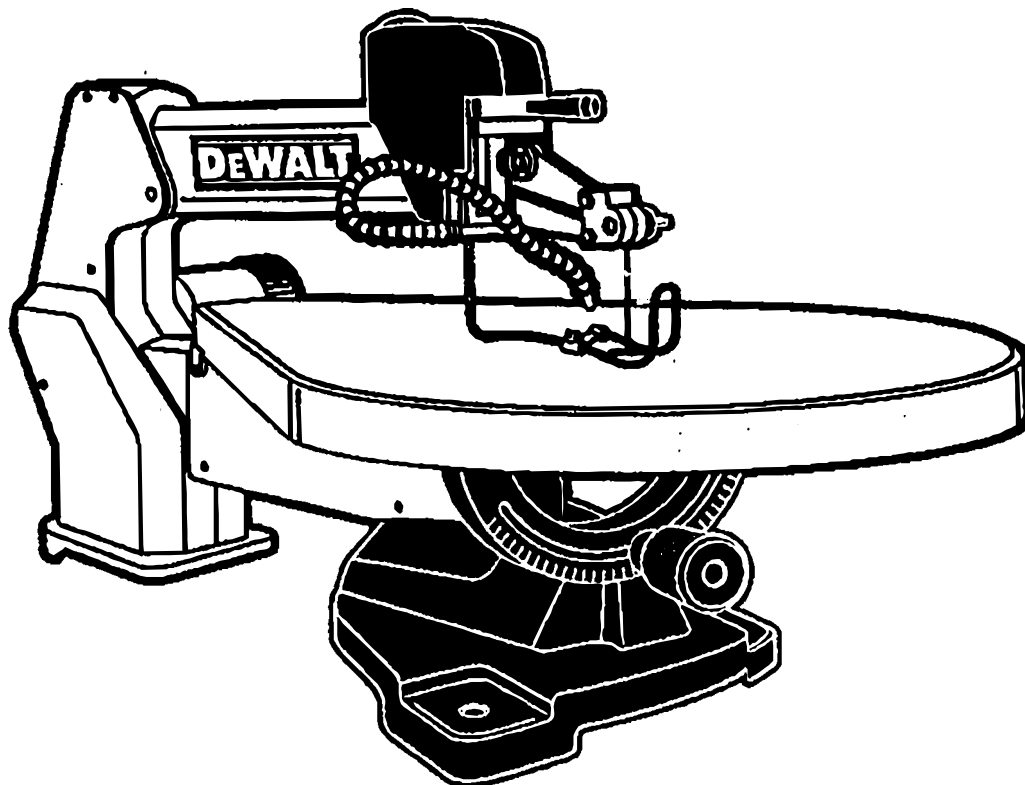
ITEMDESCRIPTION	PART NO.	QTY	VARIANT DESCRIPTION
82 SLEEVE	286321-00	1	
83 SCREW	286322-00	1	
84 SCREW	286323-00	2	
87 WASHER SPRING	286326-00	1	
88 INSERT	286327-00	1	
89 LOWER GUARD SA	286328-00	1	
91 SPACER	286330-00	1	
92 NUT LH	286331-00	1	
93 NUT	286332-00	1	
96 SCREW	99289-07	1	
97 SCREW	286333-00	1	
100 WASHER	330016-07	1	
101 HEX KEY 5 MM	98000-11	1	
102 WASHER	286334-00	1	
103 WASHER	286335-00	1	
104 O RING	286336-00	1	
105 BOLT	286337-00	1	
106 CLAMP	286338-00	1	
108 NAMEPLATE	429542-00	1	M-AT-BE-DE-ES-FR-GR
108 NAMEPLATE	429543-00	1	M-CH
108 NAMEPLATE	429542-00	1	M-DK-FI-NO-SE
108 NAMEPLATE	429538-00	1	M-GB
108 NAMEPLATE	429542-00	1	M-IT-PT-TR
109 LABEL	286036-00	1	
110 WARNING LABEL	429539-00	1	
111 SCREW	286343-00	1	
113 TERMINAL	94593-03	2	
114 TERMINAL	450213-00	8	
117 BRUSH	286346-00	2	
118 BRUSH CAP	286347-00	2	
119 WASHER. CUP	286427-00	8	
120 WASHER. CUP	286428-00	2	
121 WASHER SPRING	286429-00	1	
122 SLEEVE	286430-00	2	
123 WASHER THRUST	286431-00	4	
124 WASHER M5	286432-00	2	
125 PAD	286455-00	1	
126 SOCKET	429528-00	1	
127 FUSE	429529-00	1	
128 SUPPORT	429532-00	3	
129 PLUG	429537-00	1	
130 NUT	429536-00	4	
131 NUT	429536-00	4	
132 TERMINAL	429547-00	3	
133 TERMINAL	429548-00	2	
134 TERMINAL	429549-00	2	
135 SUPPRESSOR	429550-00	2	
136 SCREW	429531-00	4	
137 SCREW	429533-00	3	
139 TRANSFORMER	429530-00	1	
140 LEAD EARTH	429540-00	1	
VOLTAGE #1	230V		
RPM #1	400-1750		
FREQUENCY #1	50Hz		

ITEMDESCRIPTION	PART NO.	QTY
1 BOLT	58839-00	21
2 BOLT	81884-00	3
3 WASHER	84319-00	24
4 WASHER	99358-07	24
5 NUT	99370-04	24
6 PLATE	286454-00	1

DW 788 508mm Heavy Duty Variable Speed Scroll Saw



**DW 788 508mm Heavy Duty
Variable Speed Scroll Saw**



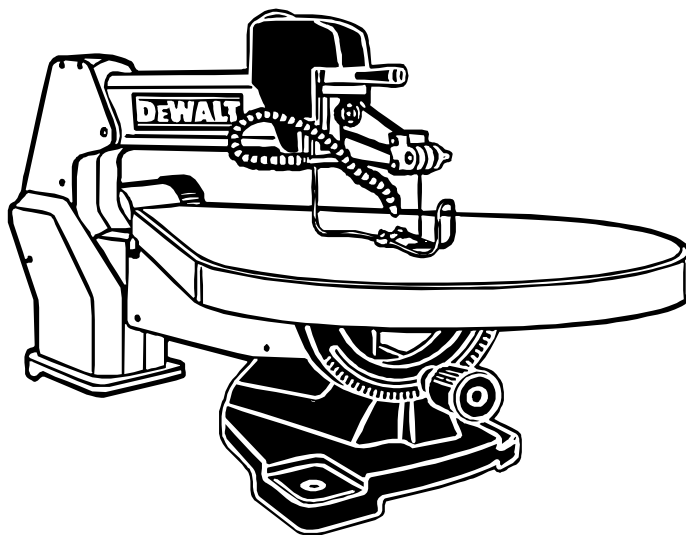
Key User Needs

Low Vibration & Noise

Accuracy of Cut

Easy Blade Change

Cut Capacity

**DW788 20" Scroll Saw**

- * **LOW VIBRATION**
- * **ACCURATE CUT**
- * **EASY BLADE CHANGE**
- * **UP FRONT CONTROLS**

Other Features

- > Table tilts 45 degrees left
- > and right
- > Variable Speed
- > Large cast iron table
- > Upper arm release

Accessories

- > Stand
- > Light
- > Foot pedal

**DW 788
Features & Benefits****Feature****Benefits****Ease of Operation****Up Front Controls**

Allow user to make all adjustments without having to reach under the table or behind the saw. Easy operation for the end-user.

Tool-Free Blade Change

Quick, easy blade changes allows user to be more productive with the scroll saw in changing blades and threading the blade through pre-drilled holes for fretwork.

Ability to Raise Upper Arm

Allows user to raise arm out of the way while threading blade through a pre-drilled hole without bending the blade for doing fretwork

Ratcheting Tension Lever

Allows for quick, easy tensioning of blade
Puts less stress on blades with ratcheting tension lever.

Electronic Variable Speed

Allows the user to slow the strokes per minute down to cut a wide variety of material as well as gain control for more intricate and precise cuts.

Multi-Directional Dust Blower

Keeps work piece and table free from sawdust and chips - allows the user to position the direction of the blower to blow dust away from the user.

Features & Benefits**Feature****Benefits****Low Vibration & Noise
Accuracy Of Cut****Double Parallel Link**

Our Unique Double Parallel Link Arm Design Delivers Low Vibration, More Accurate Cuts, And Less User Fatigue

Capacity**508mm Throat Size**

Allows Users To Reach The Middle Of A 1000mm Piece Of Material

50mm Depth Of Cut

Allows Users To Stack Cut Thin Pieces Or Cut Solid Pieces Up To 50mm Thickness

Large Cast-Iron Tear Drop Table

Provides Large Work Support Through The Throat As Well As Around The Blade

Table Bevels 45 Degrees Right & Left

Gives User More Flexibility In All Bevel Cuts

User Requirements**Low Vibration & Noise**

The saw must operate with minimum vibration to make the intricate cuts commonly done on a scroll saw. The user spends hours at a time cutting, making low noise a user requirement.

Accuracy of Cut

Following a line is critical, making accuracy imperative to the user. Accuracy is defined as the ability to follow a line easily as well having the cut be perpendicular to the work. The saw must not "over or under" cut the work (cutting the bottom and top of the workpiece at different times - caused by the blade not being perpendicular to the table/work)

Ease of Operation

Blade changing, as well as unclamping and clamping the blade for internal cuts is common with a scroll saw. This makes easy blade change (tool-free) one of the biggest requirements for a scroll saw user. The rest of the operation of the saw must also be easy and convenient.

Cut Capacity

Capacity is defined by the distance from the blade to the back of the throat of the saw. The larger the capacity, the larger the piece of work that the saw can accommodate.

Accessories**For The DW 788 20 " Heavy Duty
Variable Speed Scroll Saw**

DE 7880 Scroll Saw Stand - Designed To Optimize The Performance Of The DW 788 Scroll Saw. Adjustable Rear Leg That Allows The User To Tilt The Saw Forward For Convenience

DE 7881 Flexible Neck Work Light