



Home Music System

User's Guide for Model HC221B v1249-01

For the most up-to-date version of this User's Guide, go to www.gpx.com

Safety Instructions & Warnings



WARNING: To reduce the risk of electric shock, do not remove cover (or back). No user-serviceable parts inside. Refer servicing to qualified service personnel.



The exclamation point within an equilateral triangle is intended to alert the user to the presence of important operating and maintenance (servicing) instructions in the literature accompanying the appliance.



The lightning flash with arrowhead symbol, within an equilateral triangle, is intended to alert the user to the presence of uninsulated "dangerous voltage" within the product's enclosure that may be of sufficient magnitude to constitute a risk of electric shock to persons.



This symbol indicates that this product incorporates double insulation between hazardous mains voltage and user accessible parts.



This product utilizes a Class 1 laser to read Compact Discs. This laser Compact Disc Player is equipped with safety switches to avoid exposure when the CD door is open and the safety interlocks are defeated. Invisible laser radiation is present when the CD Player's lid is open and the system's interlock has failed or been defeated. It is very important that you avoid direct exposure to the laser beam at all times. Please do not attempt to defeat or bypass the safety switches.

WARNING: DO NOT INGEST BATTERY, CHEMICAL BURN HAZARD.

Important Safety Instructions

- Read these Instructions.
- Keep these Instructions.
- Heed all Warnings.
- Follow all instructions.
- Do not use this apparatus near water.
- Clean only with a dry cloth.
- Do not block any ventilation openings. Install in accordance with the manufacturer's instructions.
- Do not install near any heat sources such as radiators, heat registers, stoves, or other apparatus (including amplifiers) that produce heat.
- Do not defeat the safety purpose of the polarized or grounding - type plug. A polarized plug has two blades with one wider than the other. A grounding type plug has two blades and a third grounding prong. The wide blade or the third prong are provided for your safety. When the provided plug does not fit into your outlet, consult an electrician for replacement of the obsolete outlet.
- Protect the power cord from being walked on or pinched particularly at plugs, convenience receptacles, and the point where they exit from the apparatus.
- Only use attachments/accessories specified by the manufacturer.
- Unplug this apparatus during lightning storms or when unused for long periods of time.
- Refer all servicing to qualified service personnel. Servicing is required when the apparatus has been damaged in any way, such as power-supply cord or plug is damaged, liquid has been spilled or objects have fallen into the apparatus, the apparatus has been exposed to rain or moisture, does not operate normally, or has been dropped.
- Use only with a cart, stand, tripod, bracket, or table specified by the manufacturer, or sold with the apparatus. When a cart is used, use caution when moving the cart/apparatus combination to avoid injury from tip-over.



FCC Warnings

Warning: Changes or modifications to this unit not expressly approved by the party responsible for compliance could void the user's authority to operate the equipment.

NOTE: This equipment has been tested and found to comply with the limits for a Class B digital device, pursuant to Part 15 of the FCC Rules. These limits are designed to provide reasonable protection against harmful interference in a residential installation. This equipment generates, uses, and can radiate radio frequency energy and, if not installed and used in accordance with the instructions, may cause harmful interference to radio communications. However, there is no guarantee that interference will not occur in a particular installation. If this equipment does cause harmful interference to radio or television reception, which can be determined by turning the equipment off and on, the user is encouraged to try to correct the interference by one or more of the following measures:

- Reorient or relocate the receiving antenna.
- Increase the separation between the equipment and receiver.
- Connect the equipment into an outlet on a circuit different from that to which the receiver is connected.
- Consult the dealer or an experienced radio/TV technician for help.

Safety Instructions & Warnings

Additional Warnings and Precautions

- **CAUTION:** TO PREVENT ELECTRIC SHOCK, MATCH WIDE BLADE OF PLUG TO WIDE SLOT, FULLY INSERT.
AVIS: AFIN DE PRÉVENIR LES CHOCS ÉLECTRIQUES, FAITES CORRESPONDRE LA FICHE BLANCHE DE LA PRISE À LA FENTE LARGE, INSÉREZ TOTALEMENT.
- **WARNING:** To reduce the risk of fire or electric shock, do not expose this apparatus to rain, moisture, dripping, or splashing.
AVIS: Pour réduire le risque d'incendie ou de choc électrique, n'exposez pas cet appareil à la pluie ou l'humidité ou aux éclaboussures.
- **CAUTION:** Use of controls or adjustments or performance of procedures other than those specified may result in hazardous radiation exposure.
AVIS: L'utilisation de commande ou l'exécution de procédures autres que celles spécifiées ici peuvent aboutir à une exposition à des radiations dangereuses.
- **WARNING:** Changes or modifications to this unit not expressly approved by the party responsible for compliance could void the user's authority to operate the equipment.
AVIS: Des changements ou des modifications sur ce produit non expressément approuvés par la partie responsable de la conformité peut annuler le droit de l'utilisateur d'utiliser cet équipement.
- **WARNING:** Do not place this unit directly onto furniture surfaces with any type of soft, porous, or sensitive finish. As with any rubber compound made with oils, the feet could cause marks or staining where the feet reside. We recommend using a protective barrier such as a cloth or a piece of glass between the unit and the surface to reduce the risk of damage and/or staining.
AVIS: Ne placez pas cette unité directement sur des surfaces de meubles dont la finition serait douce, poreuse ou sensible. Car, comme tout composé caoutchouc à base d'huiles, les pieds pourraient laisser des traces ou des taches à l'endroit où ils sont posés. Nous recommandons d'utiliser une protection comme un linge ou un morceau de verre entre l'unité et la surface pour réduire le risque de dégât et/ou de tache.
- **WARNING:** Use of this unit near fluorescent lighting may cause interference regarding use of the remote. If the unit is displaying erratic behavior move away from any fluorescent lighting, as it may be the cause.
AVIS: L'utilisation de cette unité en présence de lumières fluorescentes peut causer des interférences lors de l'utilisation de la télécommande. En cas de dysfonctionnement, éteignez les sources de lumière fluorescentes, car celles-ci pourraient en être la cause.
- **CAUTION:** Danger of explosion if battery is incorrectly replaced. Replace only with the same or equivalent type.
AVIS: Un danger d'explosion est présent lorsque les piles sont remplacées de manière incorrecte. Remplacez seulement les piles par des piles de type équivalent.
- **WARNING:** There is a danger of explosion if you attempt to charge standard Alkaline batteries in the unit. Only use rechargeable NiMH batteries.
AVIS: Charger des piles alcalines dans l'unité peut causer une explosion. Utilisez seulement des piles rechargeables NiMH.
- **WARNING:** The remote control's button cell battery contains mercury. Do not put in the trash, instead recycle or dispose of as hazardous waste.
AVIS: Les piles boutons de la télécommande contiennent du mercure. Ne les jetez pas à la corbeille, recyclez-les ou disposez-les comme des déchets dangereux.
- **WARNING:** Lithium batteries, like all rechargeable batteries,

are recyclable and should be recycled or disposed of in normal household waste. Contact your local government for disposal or recycling practices in your area. They should never be incinerated since they might explode.

AVIS: Les piles Lithium ion, comme toutes les autres piles rechargeables, sont recyclables et doivent être étiquetées avec vos déchets ménagers. Contactez votre municipalité pour obtenir des conseils sur les moyens de disposition et de recyclage dans votre région. N'incinerez pas vos piles, car celles-ci peuvent exploser.

- **WARNING:** Shock hazard - Do Not Open.
AVIS: Risque de choc électrique - ne pas ouvrir
- Caution and marking information is located at the rear or bottom of the apparatus.
Attention et de marquage des informations est situé sur le panneau arrière ou inférieur de l'unité.
- Objects filled with liquids, such as vases, shall not be placed on the apparatus.
Objets remplis de liquides, comme des vases, ne doivent pas être placés sur l'appareil.
- Mains plug is used as disconnect device and it should remain readily operable during intended use. In order to disconnect the apparatus from the mains completely, the mains plug should be disconnected from the mains socket outlet completely.
La prise du secteur est utilisé pour déconnecter le système. La prise du secteur ne doit pas être obstruée ou doit être facilement accessible pendant son utilisation. Pour être complètement débranché de l'alimentation d'entrée, la prise doit être débranchée du secteur.
- Battery shall not be exposed to excessive heat such as sunshine, fire or the like.
Les piles ne doivent pas être exposées à de forte chaleur, tel qu'à la lumière du soleil, au feu ou autres choses de semblable.
- This product is supplied with a coin/button cell battery. If the coin/button cell battery is swallowed, it can cause severe internal burns and can lead to death.
Ce produit est livré avec une pile pièce / touche. Si la pile pièce / bouton est avalé, il peut causer des brûlures internes graves et peut conduire à la mort.
- Keep new and used batteries away from children. If the battery compartment does not close securely, stop using the product and keep it away from children.
Gardez les piles neuves et d'occasion à partir des enfants. Si le compartiment de la batterie ne pas fermer correctement, cesser d'utiliser le produit et garder loin des enfants.
- If you think batteries might have been swallowed or placed inside any part of the body, seek immediate medical attention.
Si vous pensez que les batteries peuvent avoir été avalé ou placé à l'intérieur d'une partie du corps, consulter immédiatement un médecin.
- Do not mix old and new batteries.
Ne pas mélanger vieilles et nouvelles batteries.
- Completely replace all old batteries with new ones.
Remplacer complètement toutes les piles par des neuves.
- Do not mix alkaline, standard (carbon-zinc), or rechargeable (ni-cad, ni-mh, etc) batteries.
Ne mélangez pas des piles alcalines, standard (carbone-zinc) ou rechargeables (Ni-Cd, Ni-MH, etc) batteries.
- Batteries should be recycled or disposed of as per state and local guidelines.
Piles doivent être recyclées ou éliminées selon les directives étatiques et locales.

Your Home Music System

Features

- 2 channel stereo sound
- CD player: CD, CD-R/RW
- AM/FM radio (DLL)
- Built-in AM/FM antenna
- DBBS: dynamic bass boost system
- Top-load disc player
- 3.5mm audio input
- Remote with CD controls
- Negative LCD display with blue backlight
- Dimmer control
- Digital clock
- Single alarm
- Wake to CD, radio, and alarm

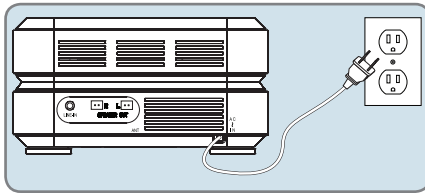
Includes

- Remote control with pre-installed CR2025 battery

Setup

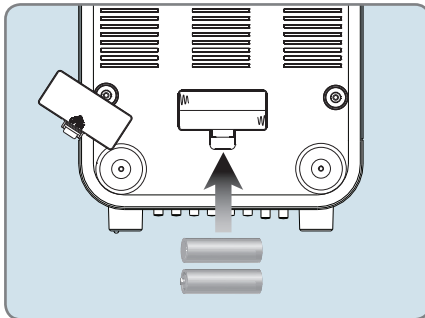
Connecting the Speakers

Connect the included speakers to the SPEAKER OUTPUT on the back of the music system. The speaker to the right side of the music system should be plugged into the output labeled "R". The left speaker should be plugged into the output labeled "L".



Power

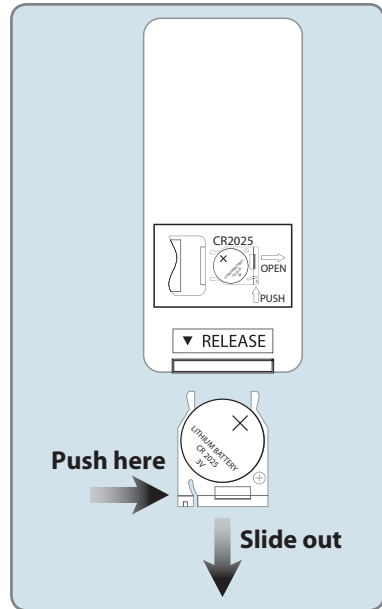
Plug the power cord into a standard wall outlet.



Battery Backup

Requires 2 AAA-size batteries (not included)

The battery backup is intended for short power outages only. The unit's primary functions cannot run off of the battery backup alone.



Remote

Requires 1 CR2025 button cell battery (included).

Orientation

Front Controls

AL ON/OFF
Press to turn the alarm off or on. An alarm icon will appear on the display when the alarm is on.

TIME
Press and hold to set the time.

DIMMER
Press to adjust the brightness of the display.

AM/FM
Press to switch between AM and FM radio mode.

AL SET
Press and hold to set the alarm.

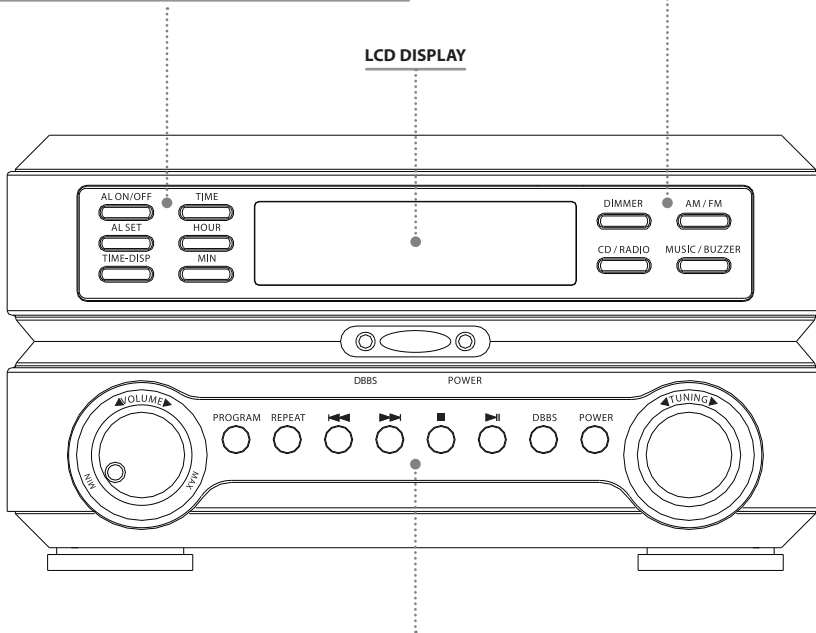
HOUR
Press to adjust the hour when setting the time or alarm.

RADIO/CD
Press to switch between radio and CD mode.

MUSIC/BUZZER
Press to adjust the alarm source between music (radio or CD) and buzzer.

TIME DISPLAY
Press to display the time in radio mode.

MIN
Press to adjust the minute when setting the time or alarm.



VOLUME
Turn to adjust the volume.

REPEAT
Press to repeat a track or entire album.

STOP
Press to stop a CD during play.

DBBS
Press to turn the Dynamic Bass Boost on or off.

TUNING
Turn to adjust the AM or FM radio station.

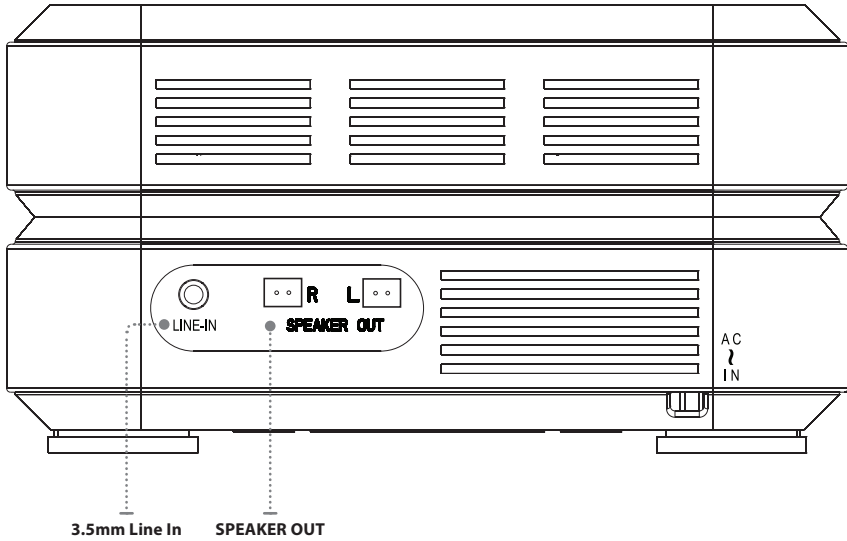
PROGRAM
Press to program a loaded CD to play tracks in a specified order.

SKIP/SEARCH
Press to skip between tracks on a loaded CD. Press and hold to search through an individual track.

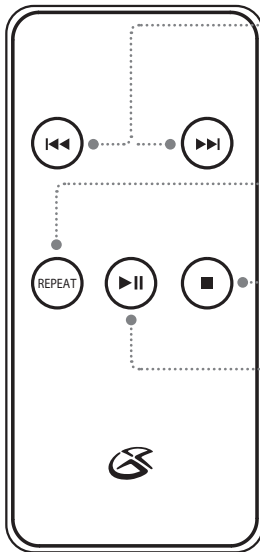
PLAY/PAUSE
Press to play or pause a loaded CD.

POWER
Press to power the music system off or on.

Rear Inputs



Remote



- SKIP/SEARCH**
Press to skip between tracks on a loaded CD. Press and hold to search through an individual track.
- REPEAT**
Press to repeat a track or entire album.
- STOP**
Press to stop a CD during play.
- PLAY/PAUSE**
Press to play or pause a loaded CD.

LCD Display Alarm Modes



ALARM IN BUZZER



ALARM IN CD



ALARM IN RADIO

CD, Radio & 3.5mm Line In

Loading and Playing a CD

Note: This unit is not compatible with MP3 CDs.

1. Open the Disc door.
2. Load a CD or CD-R/RW disc into the unit, label side facing up.
3. Close the Disc door.
4. Press the **Play/Pause** button to begin playing the loaded CD. Press the **Skip/Search** buttons to cycle through different tracks.

Programming a CD

1. Press the **STOP** button to stop the CD.
2. Press the **PROGRAM** button.
3. Press the **SKIP/SEARCH** buttons to select a track from the loaded CD to play first.
4. Press the **PROGRAM** button.
5. Repeat steps 4 and 5 to program tracks from the loaded CD to play in the order they are selected.
6. Press the **PLAY/PAUSE** button to begin playing the programmed CD.
7. Press the **STOP** button twice to cancel the program.

Listening to the AM or FM Radio

An AM/FM antenna is built into the music system. Adjust the position of the music system to adjust radio reception.

1. Press the **POWER** button to turn the player on.
2. Press the **CD/RADIO** button to switch to radio mode.
3. Press the **AM/FM** button to switch between AM and FM mode.
4. Turn the **TUNING** dial to adjust the AM or FM radio station.

3.5mm Line In

Requires a 3.5mm audio cable (not included)

1. Connect a 3.5mm audio cable to the **3.5mm Line In** on the music system and an audio output on an MP3 player or other audio source.
2. Use the native controls on the connected MP3 player or other audio source to play, pause, and control music output through the connected music system.
3. When the 3.5mm Line In is connected, CD mode and Radio mode will be deactivated.

Clock & Alarm

Setting the Clock

1. Press the **POWER** button to turn the system off.
2. Press and hold the **TIME** button.
3. While holding the **TIME** button, press the **HOURL** and **MIN** buttons to set the time.
4. Release the **TIME** button to finish setting the clock.

Setting the Alarm

For assistance, refer to *LCD Display Alarm Modes* diagram to the left.

1. Press the **POWER** button to turn the system off.
2. Press and hold the **AL SET** button.
3. While holding the **AL SET** button, press the **HOURL** and **MIN** buttons to set the time.
4. Release the **AL SET** button to finish setting the alarm time.

5. Press the **AL OFF/ON** button to activate the alarm.
6. While holding the **AL SET** button, press the **MUSIC/BUZZER** button to switch between CD, Radio or buzzer. *Note: If set to Radio or CD please make sure a CD is placed in the unit and the radio is tuned. Refer to CD or Radio section.*
7. When the set alarm time is reached, the music system will power on and alert you using the set mode.

Cancelling the Alarm

1. Press the **AL OFF/ON** button to activate or deactivate the alarm.
2. An alarm icon will appear on the display when the alarm is activated.

Company Information

Contact Information

Website: www.gpx.com

Email Support: prodinfo@dpiinc.com

Email Parts: partsinfo@dpiinc.com

Phone Support: 1-888-999-4215

Warranty

For Warranty Information and the most up-to-date version of this User's Guide, go to: www.gpx.com

International Support

To download this User's Guide in English, Spanish, and French, or to get answers to frequently asked questions, visit the support section at: www.gpx.com

Para descargar este Manual del Usuario en inglés, español y francés, o para obtener respuestas a preguntas frecuentes, visite la sección de apoyo en: www.gpx.com

Pour télécharger ce guide de l'utilisateur en anglais, espagnol ou français, ou pour obtenir des réponses à des questions fréquemment posées, consultez la rubrique d'assistance sur: www.gpx.com

Green Initiative

Our Environmental Commitment to "Protect for Today and Sustain for Tomorrow". On a continual basis DPI, Inc. is making efforts to sustain the environment and improve the recyclability of its products and packaging.

Focusing on "protecting for today and sustaining for tomorrow" DPI, Inc. has committed to reducing packaging size, increasing the usage of recyclable plastics, and ensuring that packaging and manuals are made with up to 85% recycled material. In addition to material consideration, DPI, Inc. has also focused on the finer details that positively impact the environment such as employing the usage of soy-based inks.

DPI, Inc. also ensures that the factories that produce the company's wide variety of consumer electronics adhere to environmentally friendly air and water restrictions. This is yet another example that every step of the way DPI, Inc. is making efforts to lessen any impact on the environment.

In 2011 DPI, Inc. also began conversations with Energy Star in order to ensure that the consumer electronics being produced meet high standards of energy efficiency. The ultimate goal is keeping energy costs for consumers low while providing quality, feature-rich products.



Copyright © 2011 Digital Products International (DPI, Inc.) All other trademarks appearing herein are the property of their respective owners. Specifications are subject to change without notice.
