

TDBEST

Contact Information

Tel: + 86 18675560041

E-mail: huazhentech@yahoo.com

TDBEST

Ergonomic Mesh Office Chair



MODEL NUMBER: 8922

NOTE:

This instruction booklet contains important safety information. Please read and keep for future reference. If there is any problems, please free to contact, contact Technical Support at service .

Contents

02 Components

04 Installation steps

07 Functions and Advantage

08 Detail

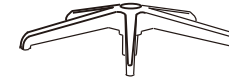
10 Contact

Components

Ax5
Caster



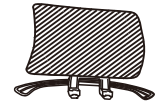
Bx1
Base



Cx1
Gas Sturt



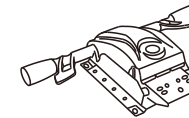
Dx1
Headrest



Ex1
Seat



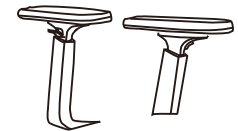
Fx1
Menchanism



Gx1
Back



Hx2
Armrest



Hardware

Ix4
Bolts
M6*40mm



Jx2
Bolts
M6*45mm



Kx3
Bolts
M8*20mm



L x 2
Bolts
M5*25mm



Mx 4
Bolts
M6*35mm



Nx4
Flats
Φ 6



O x3
Flats
Φ 8



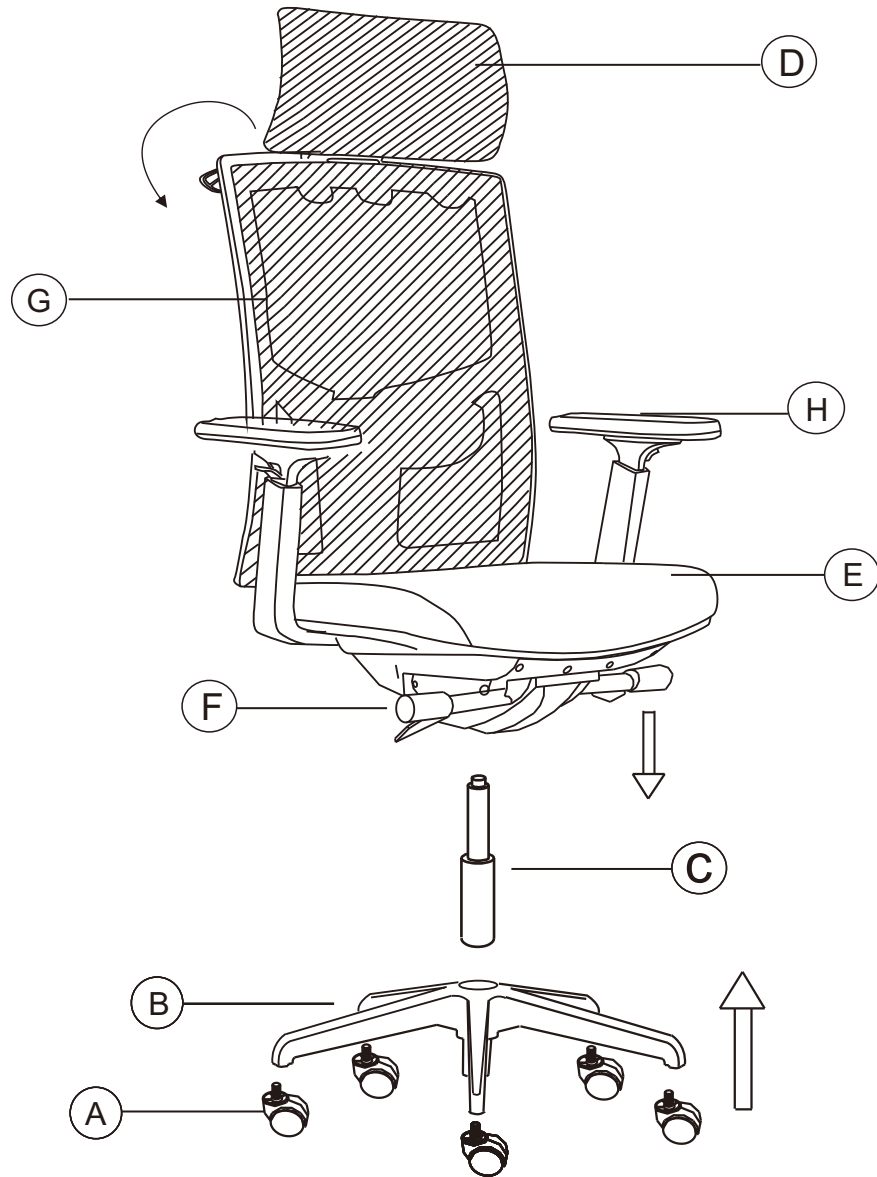
Px 2
Flats
Φ 12



Q x1
Allen wrench

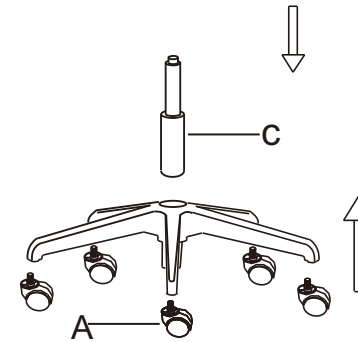


Components



3

Step1

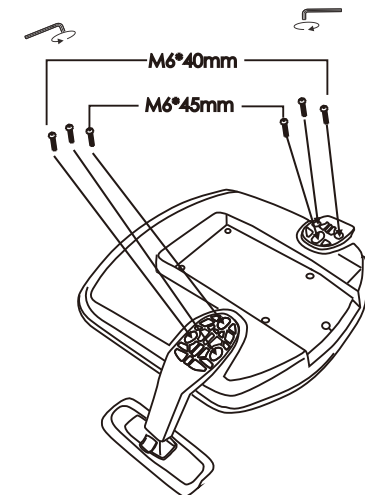


Insert 5 casters(A) into the base(B),push hard until you feel or hear those casters snap into the place.Attach gas strut(C) into the base.

Step2

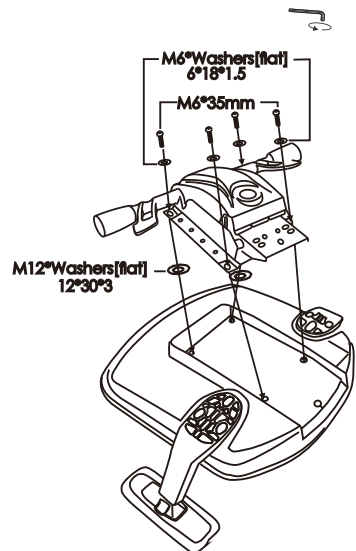
- 2 x M6*45mm
- 4 x M6*40mm

Install Armrest.
Please use M6*45mm Bolts and
M6*40mm Bolts





4

Step3



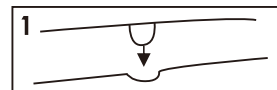
 x4 M6*35mm

 x4 Φ6

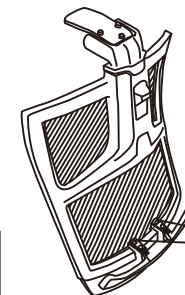
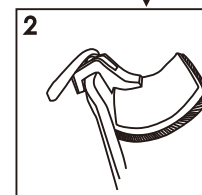
 x2 Φ12

Install Mechanism
Please use M6*35mm Blots, FlatsΦ6
and Flats Φ12

Step5

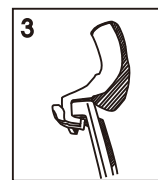


 x2 M5*25mm




Install Headrest
Please use M5*25mm Blots

◦ Lay the backrest down for easy operation

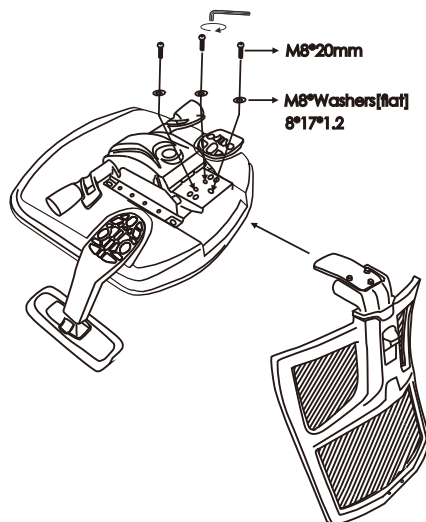


Step4

 x3 M8*20mm

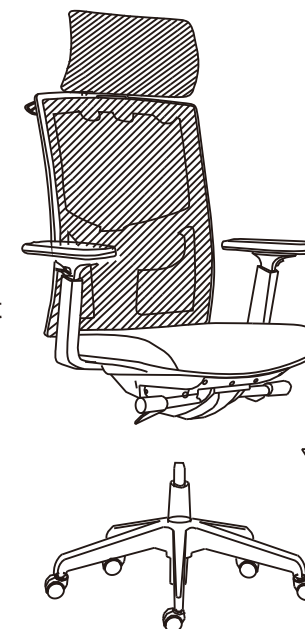
 x3 Φ8

Install Back plate.
Please use M8*20mm Blots andΦ8



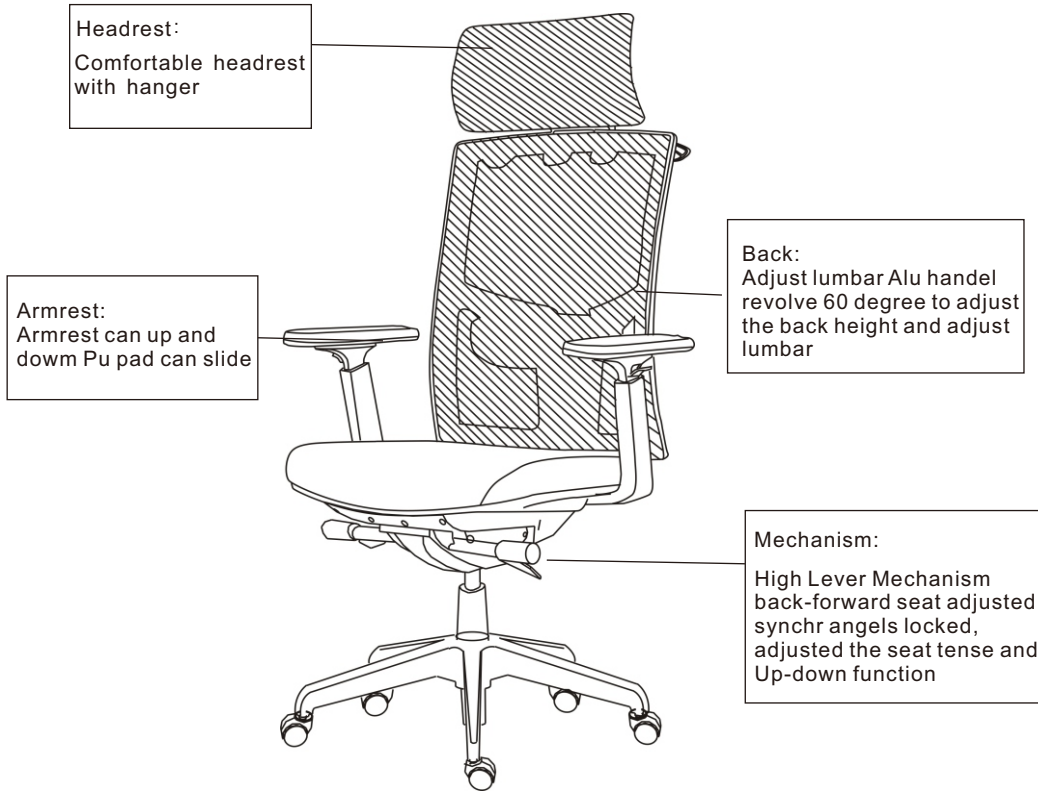
Step6

Put the chairs into the gas sturt



Ergonomic Mesh Office Chair

The best quality and the most comfortable office chair



Armrest Height	70.5-78cm
Width (outer diameter)	69.5cm
Width (inside diameter)	46 cm
Chair High	117-125 cm
Seat height	41-49 cm
Chair depth	64.5 cm

Seat material

Polyester

Backrest material

Nylon (PA) + Fiberglass

Base material

350 Aluminum Base

Caster material

Nylon PA BIFMA

Seat filler material

Mould and softened sponge



PREVENTIVE MAINTENANCE AND WARNING

ONLY FOR SEATING ONE PERSON AT A TIME.

DO NOT USE CHAIR AS STEP STOOL OR LADDER.

AT LEAST EVERY SIX MONTHS CHECK ALL BOLTS AND SCREWS TO BE SURE THEY ARE TIGHT.

IF ANY PARTS ARE MISSING, BROKEN, DAMAGED OR WORN, STOP USING THE PRODUCT UNTIL REPAIRS ARE MADE WITH FACTORY AUTHORIZED PARTS.

FAILURE TO FOLLOW THESE WARNINGS CAN RESULT IN SERIOUS INJURY.

The logo for TDBEST, featuring the brand name in a bold, white, sans-serif font centered within a solid black rectangular background.

Contact Information

Tel: + 86 18675560041

E-mail: huazhentech@yahoo.com

NOTE:

Please call us during 9:00 am to 6:00 pm Beijing time.
Otherwise, we may miss your call.