



**ELECTRIC FIREPLACE HEATER
MODEL EF-FS2213
OWNER'S MANUAL**



**NO VENTILATION REQUIRED
PRODUCES SAFE AND EFFICIENT HEAT
PLEASE READ THIS ENTIRE MANUAL BEFORE USING UNIT
120-V AC / ADJUSTABLE 750-WATT TO 1500-WATT
SAVE THIS MANUAL FOR FUTURE USE**

CONSUMER SARETY INSTRUCTIONS

Read this manual before installing and operating this appliance. Failure to follow these instructions may result in electrical shock, property damage, personal injury, and will void the warranty. Do not store or use gasoline, or any other flammable liquids and vapors, in the vicinity of this appliance. Keep this manual for future reference.

PET OWNER WARNING

The health of some small pets, including birds, are extremely sensitive to the fumes produced during the first time use of this appliance. These fumes are not harmful to humans, but we recommend that you do not use this heater around birds and small pets during its initial use until the manufacturing corrosion coatings have burned off.

IMPORTANT SAFETY INSTRUCTIONS

To reduce the risk of fire, electrical shock, or personal injury, the following must be read before using or plugging this electric fireplace into an electrical outlet:

1. Read all the instructions before installation and use.
2. This heater is hot when in use. To avoid burns, do not let bare skin touch hot surfaces. Keep combustible materials such as furniture, pillows, bedding, papers, clothes, and curtains at least 3 feet away from the front of the heater, and keep them away from the sides and rear of heater as well.
3. Extreme caution is necessary when any heater is used by or near children, and whenever the heater is left operating and unattended.
4. Do not operate any heater with a damaged cord or plug, or after the heater has malfunctioned or has been dropped or damaged in any manner. Return heater to an authorized service facility for repair.
5. Do not use outdoors.
6. This heater is not intended for use in bathrooms, laundry areas, and other similar indoor locations where water is housed or used. Never located heaters where it may fall into a bathtub or other water source.
7. Do not run cord under carpeting. Do not cover cord with throw rugs, runners, or any flooring textile. Keep the cord away from traffic areas where it can be tripped over.
8. To disconnect heater, turn control to OFF, then remove the plug from the outlet. Always unplug the heater when not in use.
9. Connect plug to a properly grounded outlet only.
10. Do not insert or allow foreign objects to enter any of the ventilation or exhaust openings as this may cause an electric shock, fire, or damage to the heater.
11. To prevent a possible fire, do not block air intakes or exhaust in any manner.
12. Do not use on soft surfaces, such as a bed, where openings may become blocked.

13. This heater has hot and potentially sparking parts inside. Do not use the heater in any areas where gasoline, paint, or any other flammable materials are used or stored.
14. Place this heater near a wall outlet so an extension cord is not needed. If an extension cord is necessary, the gauge of the cord must be at least 14AWG, and the rating must be at least 1875-watts. Never use a smaller gauge cord with a lower rating. Doing so may result in electric shock or fire.
15. Always disconnect power before performing any cleaning or maintenance.
16. When transporting or storing the heater, keep in a dry location that is free from excessive vibration in order to avoid damage.
17. Use this heater only as described in the manual. Any other use that is not recommended by the manufacturer may cause fire, electrical shock, and injury.
18. The flame effect is powered by a motor. It is normal for this motor to at least make some noise as it slowly rotates to create the beautiful flame effect. Some rooms with more or less furnishing may result in varying noise amplification.
19. Attach all four legs before plugging in and turning on heater. Failure to do so could start a fire.
20. Only use this heater on a 120V AC 15-AMP grounded circuit. Never overload the circuit. If the heater trips the circuit breaker, unplug all other appliances on the same circuit before the next use. Avoid plugging other appliances into the same circuit as the heater.
21. Every effort has been made to ensure packing materials are kept outside of the plastic bag, which covers your heater in the box. There is a possibility that some packing may have lodged into the heater vent. If you notice this upon close inspection, please remove it. When turning on your heater for the first time it is normal for the heater to emit a little "new heater" smell, which will quickly dissipate.
22. The power cord supplied with the electric heater has three prongs, two flat blades (live and neutral) and one round pin (ground). If a 3-slot receptacle is not available, an adapter must be used. The adapter must be properly grounded to the outlet box. Note: adapter is not included.

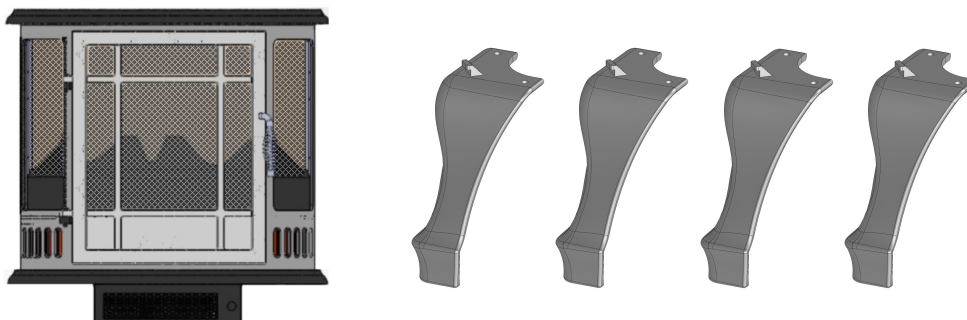
PREPERATION

- Remove all parts and hardware from the carton and place them on a clean, soft, and dry surface.
- Make sure all parts are dry, and that the power cord and plug are not damaged.
- Compare the contents with the parts list to make sure nothing is missing.
- Dispose of all packaging materials properly.
- Please recycle whenever possible.

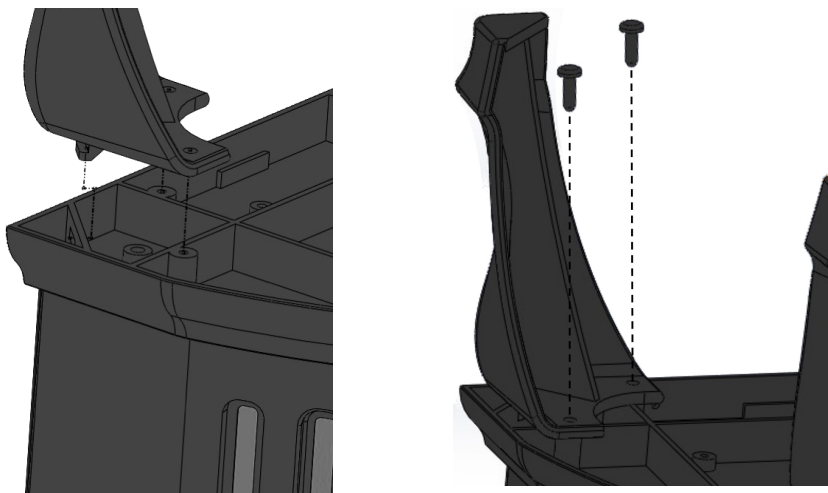
ASSEMBLY

ALWAYS make sure the unit is unplugged before beginning assembly. **NEVER** move or clean the heater, or change the bulbs, while it is plugged in.

A Phillips screwdriver is needed for assembly (not included).



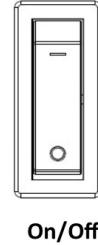
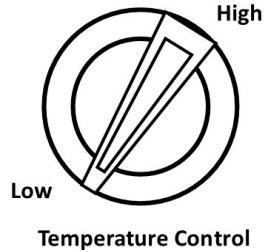
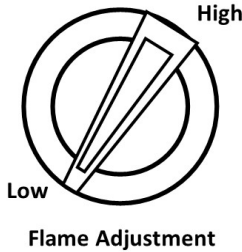
1. Carefully turn the stove upside down and lay it on a clean and soft surface.
2. Insert the tab of one leg into the slot in the corner of the stove frame.
3. Thread two screws through the holes in the leg and into the stove frame. Partially tighten the screws with a Phillips screwdriver. Do not overtighten the screws.
4. Repeat Steps 2 and 3 for the other three legs.
5. Check the alignment and tighten all 8 screws securely with a screwdriver. **DO NOT** overtighten the screws.


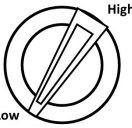
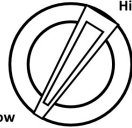


ALWAYS attach the feet before using. Never plug in or operate this unit if the feet are not securely attached.

OPERATION

Control panel: lower right hand corner of the unit. Open the door to access it.



 ON/OFF	<p>ON: Press the power ON switch. The power indicator light will glow, and the flame effect will turn on.</p> <p>OFF: Press the power OFF switch. All functions will turn off.</p>
 FLAME ADJUSTMENT	<p>FLAME ADJUSTMENT: This knob controls the brightness of the flame effect. Turn the knob to the right (High) to brighten the flame effect. Turn the knob to the left (Low) to dim the flame effect.</p> <p>(Note: The ON/OFF switch turns the flame effect one and off. The flame effect will not turn off unless the power is turned off.)</p>
 TEMPERATURE CONTROL	<p>TEMPERATURE CONTROL: This knob controls the thermostat that turns the heat on and off to maintain the desired temperature.</p> <p>Turn the knob to the desired setting. The heat will turn on and off automatically to maintain the set temperature.</p> <p>(Note: If the room temperature is above the thermostat setting, the heater will not turn on.)</p>
NOTICE	<p>When the heat function is used for the first time, a slight odor may be present. This is normal and should not occur again unless the heater is not used for an extended period of time.</p>

TEMPERATURE LIMITING CONTROL

This heater is equipped with Temperature Limiting Control. Should the heater reach an unsafe temperature (212 degrees F / 100 degrees C), the heater will automatically turn off. To reset:

1. Unplug the power cord from the outlet.
2. Turn the ON/OFF switch on the control panel to OFF.
3. Wait 5 minutes.
4. Inspect the electric fireplace to make sure that no vents are blocked, or clogged with dust or lint. If they are, use a vacuum to clean the vent areas.
5. With the power switch OFF, plug the power cord back into the outlet.
6. If the problem continues, have your outlet and wiring inspected by a professional.

CARE AND MAINTENANCE

Always turn the heater OFF and unplug the power cord from the outlet before cleaning, changing the lightbulbs, or moving the stove. Failure to do so could result in electric shock, personal injury, or fire.

Never immerse in water or spray with water. Doing so could result in electric shock, personal injury, or fire.

CLEANING

- Metal: Buff using a soft cloth, slightly dampened with a citrus oil-based product. DO NOT use brass polish or household cleaners as these will damage the metal.
- Glass: Use glass cleaner and dry thoroughly with a paper towel or lint-free cloth. NEVER use an abrasive cleaner or any cleaner that could scratch the surface.
- Plastic: Wipe with a slightly damp cloth and a mild solution of dish soap and warm water.
- Vents: Use a vacuum or duster to remove dust and dirt from the heater and vent areas.

MAINTENANCE

Risk of electric shock! DO NOT OPEN the main panels! There are no serviceable parts inside (except for lightbulbs).

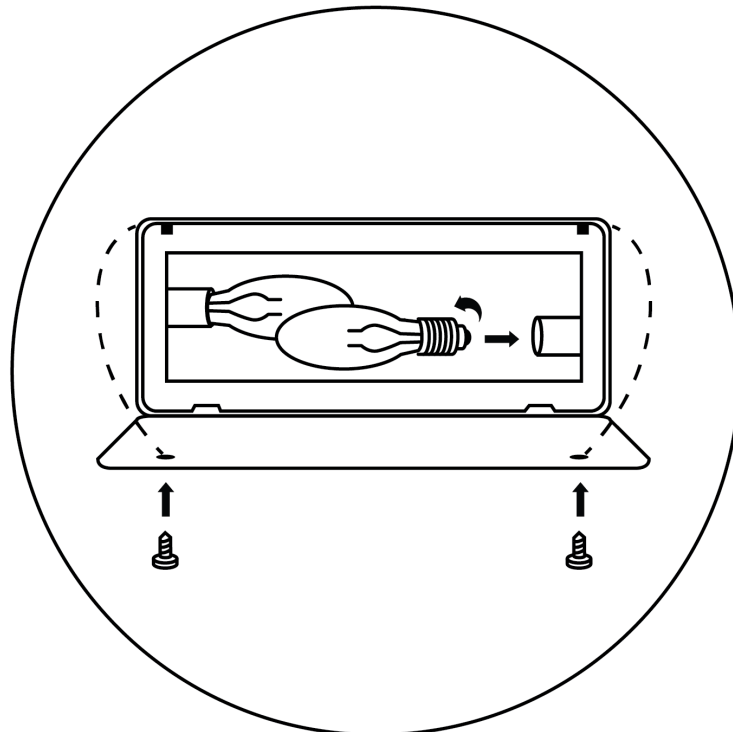
Storage: Store heater in a clean and dry place when not in use.

Electric and Moving Parts: The fan and motors are lubricated at the factory, and will not require lubrication for the life of the stove. Except for the lightbulbs, all electrical parts and components are integrated into the heater, and are not serviceable by the consumer.

Lightbulb Inspection and Replacement: The flame effect is created by two 40-watt lightbulbs with an E-12 (small) socket base. Use only this same type of lightbulb as a replacement. If the flame effect does not work, the bulbs may have come loose, or may have been damaged during shipping.

Lightbulbs will become hot during use. Allow at least 10 minutes for the bulbs to cool before touching.

To inspect or replace the bulbs, first unplug the power cord from the outlet. Locate the access panel on the back of the stove, and remove the screws from the panel. Check the bulbs to be sure they are tight and in working order. Replace any damaged or faulty bulbs. Reattach the access panel when done. Do not operate this heater without the access panel in place. Do not remove the back cover as there are no serviceable parts inside.





LIMITED WARRANTY

This warrants to the original purchaser that this product is free from defects in material and workmanship as of the date of purchase and that it will, under normal use and proper care, remain so for 1 year from the date of purchase. Missing or initially defective parts will be replaced free of charge during the period of this limited warranty. If parts are unavailable, comparable replacement or refund will be given. The original dated sales receipt is required for all warranty claims. This warranty does not cover damage which has occurred during transport from the point of purchase to the consumer's home. This warranty does not cover glass, lightbulbs, or batteries.

This product is for residential use only. Any and all commercial use of this product voids all warranties, and frees the manufacturer from all liability. Read and fully understand all assembly and operating instructions, and all safety information and warnings, before use. The following will void this warranty: damage caused by tampering with, modifying, or altering the electric fireplace in any manner; damage due to incorrect assembly, improper care, misuse, or abuse; damage from being used with the wrong power source; water damage; damage caused from the electric fireplace being used outdoors; damage caused from the electric fireplace being used for excessive periods of time; damage caused by the electric fireplace being used in any commercial application; damage from use as a primary heat source; other misuse and abuse not specifically listed herein.

This product is not intended to be used as a primary heat source. e-Flame USA, its directors, officers, or agents, will not be liable to the purchaser or any third party, whether in contract, in tort, or on any other basis, for any indirect, special, punitive, exemplary, consequential, or incidental loss, cost, or damage arising out of or in connection with this sale, maintenance, use, or inability to use this product, even if e-Flame USA, or its directors, or agents have been advised of the possibility of such losses, costs, or damages that exceed the purchase price of the product. Some states do not allow the exclusion or limitation of incidental or consequential damages, so the above limitation or exclusion may not apply to the purchaser. This limited warranty gives you specific legal rights, and you may also have other rights, which vary from state-to-state.

Thank you for purchasing this product! If you have any questions about the assembly or operation of this product, are missing any parts, or have defective parts, please email us at info@eflameusa.com.