



# DVD Home Theatre System

## Operating Instructions

## HDMI

©2012 Sony Corporation Printed in China

DAV-TZ140

GB

### WARNING

To reduce the risk of fire or electric shock, do not expose this apparatus to rain or moisture. To reduce the risk of fire or electric shock, do not expose this apparatus to dripping or splashing, and do not place objects filled with liquids, such as vases, on the apparatus. To reduce the risk of fire, do not cover the ventilation opening of the apparatus with newspapers, tablecloths, curtains, etc. Do not place the naked flame sources such as lighted candles on the apparatus. As the main plug is used to disconnect the unit from the mains, connect the unit to an easily accessible AC outlet. Should you notice an abnormality in the unit, disconnect the main plug from the AC outlet immediately. The main plug is used to disconnect this device from the AC outlet, so position this device in a location where it can be easily unplugged. Do not install the appliance in a confined space, such as a bookcase or built-in cabinet. Do not expose batteries or apparatus with battery-installed to excessive heat such as sunshine, fire or the like. The unit is not disconnected from the mains as long as it is connected to the AC outlet, even if the unit itself has been turned off. To prevent injury, this apparatus must be securely attached to the floor/wall in accordance with the installation instructions. Indoor use only.

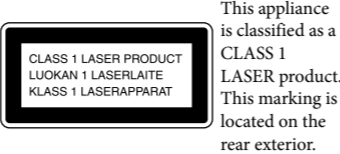
### CAUTION

The use of optical instruments with this product will increase eye hazard.

### For the customers in UAE



### For European models



This appliance is classified as a CLASS 1 LASER product. This marking is located on the rear exterior. **Notice for customers: The following information is only applicable to equipment sold in countries applying EU directives.** The manufacturer of this product is Sony Corporation, 1-7-1 Konan Minato-ku Tokyo, 108-0075 Japan. The Authorized Representative for EMC and product safety is Sony Deutschland GmbH, Hedelfinger Strasse 61, 70327 Stuttgart, Germany. For any service or guarantee matters please refer to the addresses given in separate service or guarantee documents.

This equipment has been tested and found to comply with the limits set out in the EMC Directive using a connection cable shorter than 3 meters. (European models only)

### For the customers in the USA

**Owner's Record**  
The model and serial numbers are located on the rear exterior of the unit. Record these numbers in the space provided below. Refer to them whenever you call upon your Sony dealer regarding this product.

Model No. DAV-TZ140  
Serial No. \_\_\_\_\_

The following FCC statement applies only to the version of this model manufactured for sale in the USA. Other versions may not comply with FCC technical regulations.

**NOTE:**  
This equipment has been tested and found to comply with the limits for a Class B digital device, pursuant to Part 15 of the FCC Rules. These limits are designed to provide reasonable protection against harmful interference in a residential installation. This equipment generates, uses, and can radiate radio frequency energy and, if not installed and used in accordance with the instructions, may cause harmful interference to radio communications. However, there is no guarantee that interference will not occur in a particular installation. If this equipment does cause harmful interference to radio or television reception, which can be determined by turning the equipment off and on, the user is encouraged to try to correct the interference by one or more of the following measures:

- Reorient or relocate the receiving antenna.
- Increase the separation between the equipment and receiver.
- Connect the equipment into an outlet on a circuit different from that to which the receiver is connected.
- Consult the dealer or an experienced radio/TV technician for help.

### CAUTION

You are cautioned that any changes or modifications not expressly approved in this manual could void your authority to operate this equipment.

### Important Safety Instructions

- 1) Read these instructions.
- 2) Keep these instructions.
- 3) Heed all warnings.
- 4) Follow all instructions.
- 5) Do not use this apparatus near water.

- 6) Clean only with dry cloth.
- 7) Do not block any ventilation openings. Install in accordance with the manufacturer's instructions.
- 8) Do not install near any heat sources such as radiators, heat registers, stoves, or other apparatus (including amplifiers) that produce heat.
- 9) Do not defeat the safety purpose of the polarized or grounding-type plug. A polarized plug has two blades with one wider than the other. A grounding type plug has two blades and a third grounding prong. The wide blade or the third prong are provided for your safety. If the provided plug does not fit into your outlet, consult an electrician for replacement of the obsolete outlet.
- 10) Protect the power cord from being walked on or pinched particularly at the plugs, convenience receptacles, and the point where they exit from the apparatus.
- 11) Only use attachments/accessories specified by the manufacturer.
- 12) Use only with the cart, stand, tripod, bracket, or table specified by the manufacturer, or sold with the apparatus. When a cart is used, use caution when moving the cart/apparatus combination to avoid injury from tip-over.



- 13) Unplug this apparatus during lightning storms or when unused for long periods of time.
- 14) Refer all servicing to qualified service personnel. Servicing is required when the apparatus has been damaged in any way, such as power-supply cord or plug is damaged, liquid has been spilled or objects have fallen into the apparatus, the

apparatus has been exposed to rain or moisture, does not operate normally, or has been dropped.

### For North American, Mexican, and Brazilian models

This symbol is intended to alert the user to the presence of uninsulated "dangerous voltage" within the product's enclosure that may be of sufficient magnitude to constitute a risk of electric shock to persons.

This symbol is intended to alert the user to the presence of important operating and maintenance (servicing) instructions in the literature accompanying the appliance.

### For the customers in Europe, Russia and Australia

**Disposal of Old Electrical & Electronic Equipment (Applicable in the European Union and other European countries with separate collection systems)**  
This symbol on the product or on its packaging indicates that this product shall not be treated as household waste. Instead it shall be handed over to the applicable collection point for the recycling of electrical and electronic equipment. By ensuring this product is disposed of correctly, you will help prevent potential negative consequences for the environment and human health, which could otherwise be caused by inappropriate waste handling of this product. The recycling of materials will help to conserve natural resources. For more detailed information about recycling of this product, please contact your local Civic Office, your household waste disposal service or the shop where you purchased the product.

In case of products that for safety, performance or data integrity reasons require a permanent connection with an incorporated battery, this battery should be replaced by qualified service staff only. To ensure that the battery will be treated properly, hand over the product at end-of-life to the applicable collection point for the recycling of electrical and electronic equipment. For all other batteries, please view the section on how to remove the battery from the product safely. Hand the battery over to the applicable collection point for the recycling of waste batteries. For more detailed information about recycling of this product or battery, please contact your local Civic Office, your household waste disposal service or the shop where you purchased the product.

### Trademarks

This system incorporates with Dolby® Digital and Dolby Pro Logic adaptive matrix surround decoders.  
\* Manufactured under license from Dolby Laboratories.  
Dolby, Pro Logic, and the double-D symbol are trademarks of Dolby Laboratories.

This system incorporates High-Definition Multimedia Interface (HDMI™) technology. HDMI, the HDMI Logo, and High-Definition Multimedia Interface are trademarks or registered trademarks of HDMI Licensing LLC in the United States and other countries.

"PlayStation" and "PS3" are registered trademarks of Sony Computer Entertainment Inc.

"BRAVIA" is a trademark of Sony Corporation.

MPEG Layer-3 audio coding technology and patents licensed from Fraunhofer IIS and Thomson.

Windows Media is either a registered trademark or trademark of Microsoft Corporation in the United States and/or other countries. This product contains technology subject to certain intellectual property rights of Microsoft. Use or distribution of this technology outside of this product is prohibited without the appropriate license(s) from Microsoft.

ABOUT MPEG-4 VISUAL: THIS PRODUCT IS LICENSED UNDER THE MPEG-4 VISUAL PATENT PORTFOLIO LICENSE FOR THE PERSONAL AND

NONCOMMERCIAL USE OF A CONSUMER FOR DECODING VIDEO IN COMPLIANCE WITH THE MPEG-4 VISUAL STANDARD ("MPEG-4 VIDEO") THAT WAS ENCODED BY A CONSUMER ENGAGED IN A PERSONAL AND NONCOMMERCIAL ACTIVITY AND/OR WAS OBTAINED FROM A VIDEO PROVIDER LICENSED BY MPEG LA TO PROVIDE MPEG-4 VIDEO. NO LICENSE IS GRANTED OR SHALL BE IMPLIED FOR ANY OTHER USE. ADDITIONAL INFORMATION INCLUDING THAT RELATING TO PROMOTIONAL, INTERNAL AND COMMERCIAL USES AND LICENSING MAY BE OBTAINED FROM MPEG LA, LLC. SEE <http://www.mpegla.com/>

All other trademarks are trademarks of their respective owners.

### About these Operating Instructions

"DVD" may be used as a general term for a DVD VIDEO, DVD+RW/DVD+R, and DVD-RW/DVD-R.

### The system enters standby mode automatically.

When the system is in pause, stop, open, or no disc mode, the system will enter standby mode automatically after 30 minutes.

### Playable Discs

DVD	DVD-VIDEO DVD-ROM DVD-R/DVD-RW DVD+R/DVD+RW
CD	CD-DA (Music CD) CD-ROM CD-R/CD-RW VIDEO CD Super VCD

A CD or DVD will not play if it has not been correctly finalized. For more information, refer to the operating instructions supplied with the recording device.

### Discs that cannot be played

- Blu-ray Discs
- HD DVDs
- DVD-RAMs
- DVD Audio discs
- PHOTO CDs
- Super Audio CDs
- Data track of CD-Extras
- Audio material side on DualDiscs
- DVD-R/DVD-RW/DVD+R/DVD+RW in VR (Video Recording) mode
- CPRM (Content Protection for Recordable Media)-compatible DVD-R/RW containing content flagged as "Copy once."

### Notes on discs

This product is designed to playback discs that conform to the Compact Disc (CD) standard. DualDiscs and some music discs encoded with copyright protection technologies do not conform to the Compact Disc (CD) standard. Therefore, these discs may not be compatible with this product.

**Note on playback operations of a DVD**  
Some playback operations of a DVD may be intentionally restricted by software producers. Since this system plays a DVD according to the disc contents the software producers designed, some playback features may not be available.

### Note about double-layer DVDs

The playback picture and sound may be momentarily interrupted when the layers switch.

### Region code (DVD VIDEO only)

Your system has a region code printed on the rear of the unit and will only play a DVD VIDEO (playback only) labeled with an identical region code or

### Note about Multi Session CD

You can play only the first session of a multisession disc.

### Playable Types of Files

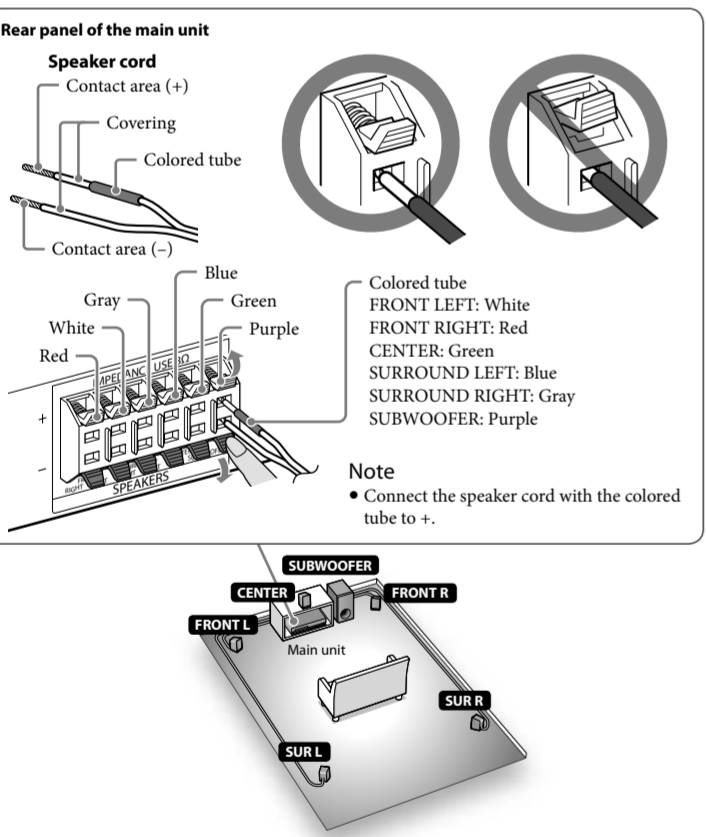
File format	Extensions
MPEG4 Video <sup>1)</sup>	"mp4", "m4v"
Xvid Video <sup>2)</sup>	"avi"
Music	
File format	Extensions
MP3 (MPEG1 Audio Layer 3) <sup>3)</sup>	"mp3"
WMA <sup>4)</sup>	"wma"
AAC <sup>5)</sup>	"m4a"
Photo	
File format	Extensions
JPEG	"jpg", "jpeg", "jpe"

- 1) AVC is not compatible.
  - 2) Unavailable on US models.
  - 3) MP3PRO format is not compatible.
  - 4) WMA DRM, WMA Lossless or WMA PRO format are not compatible.
  - 5) AAC DRM and AAC Lossless formats are not supported.
- Note**
- Some files may not play depending on the format, the encoding, or recording condition.
  - Some USB devices may not work with this system.
  - The system supports ISO 9660 Level 1/Level 2, or Joliet in DATA CD.
  - The system supports UDF (Universal Disk Format) in DATA DVD.
  - The system supports FAT12, FAT16, and FAT32 in USB device.
  - The system can recognize the following files or folders in DATA DVD, DATA CD and USB device:
    - up to 300 folders
    - up to 648 files

- It may take time to read files in the following cases:
  - there are many folders or files.
  - the memory capacity of the USB device that you are using is very large.
  - the memory of the USB device that you are using is fragmented.

### Connecting the Speakers

**Caution**  
Do not use any speakers other than those supplied with this system. Insert the speaker cords to match the color of the SPEAKERS terminals of the unit.



### Note

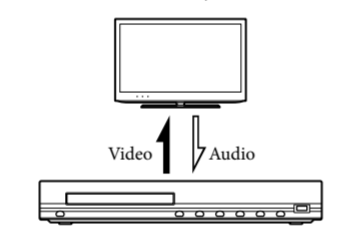
- Connect the speaker cord with the colored tube to +.

### Connecting your TV

Depending on the jacks on your TV or set-top box, select the video and audio connection method.

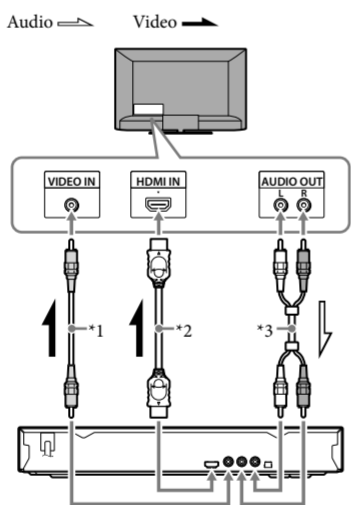
#### When connecting to a TV only

The TV has AUDIO OUT jacks\*4:



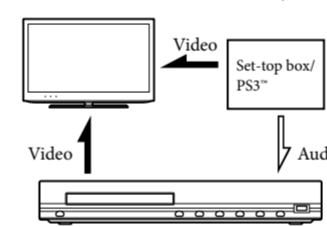
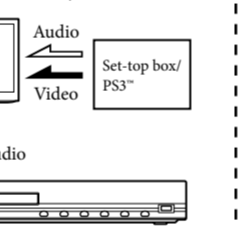
#### Connecting a video cord and an audio cord

Select \*1 or \*2 for the video connection based on the jacks on the TV.



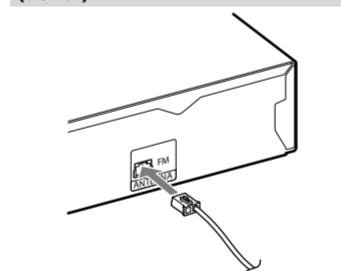
#### When connecting a TV and set-top box/PlayStation\*3

The TV does not have AUDIO OUT jacks:



- \*1 Supplied only in certain areas. This is the basic connection via video cord (yellow).
- \*2 Supplied only in certain areas. Picture quality will be improved compared to a video cord.
- \*3 Sold separately. To listen to TV audio via the system, connect with an audio cord (red and white).
- \*4 If your TV does not have AUDIO OUT jacks, TV sound does not output via this system.

### Connecting the FM wire antenna (aerial)



### Note

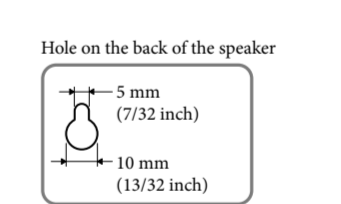
- Find a location and an orientation that provide good reception, and then set up the antenna.
- Set up the antenna away from the AC power cord (mains lead), other cables, and metal objects such as windows.

### When Installing the Speakers on a Wall

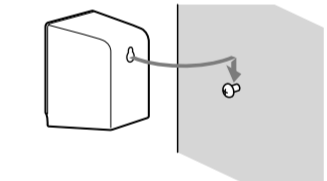
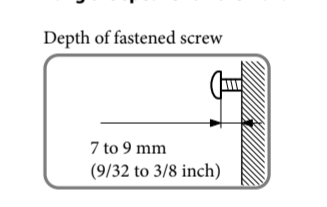
**Caution**  
• Contact a screw shop or installer for information regarding the wall material or screws to be used.  
• Use screws that are suitable for the wall material and strength. As a plaster board wall is especially fragile, attach the screws securely to a beam. Install the speakers on a vertical and flat wall where reinforcement is applied.

• Sony is not responsible for accidents or damage caused by improper installation, insufficient wall strength or improper screw installation, natural calamity, etc.

- 1 Prepare screws (not supplied) that are suitable for the hole on the back of each speaker. See the illustrations below.



### 2 Fasten the screws to the wall, then hang the speaker on the wall.



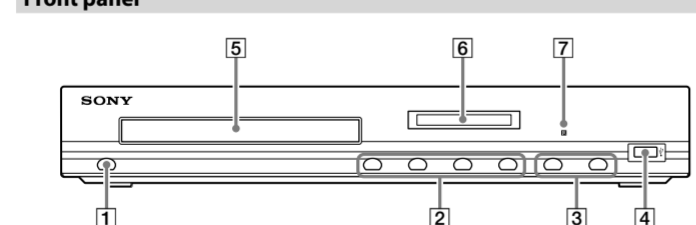
### Color System Setup

- 1 Connect the AC power cord (mains lead).
- 2 Turn on the power of the main unit and TV.
- 3 Press FUNCTION repeatedly or DVD/CD to switch the function to DVD/CD. Playback starts automatically if a disc with an auto playback function is loaded. Press twice to stop playback.
- 4 Switch the input selector on your TV to display "Home Theatre System."
- 5 Press SETUP in stop mode. The Setup Menu appears.
- 6 Press repeatedly to select [Preference Page], then press .
- 7 Press repeatedly to select [TV Type], then press .
- 8 Press repeatedly to select [PAL] or [NTSC] from the displayed list, then press .
- 9 Press SETUP to turn off the Setup Menu.

**Note**  
• The display on the TV screen may be interrupted momentarily after changing the color system as described above.

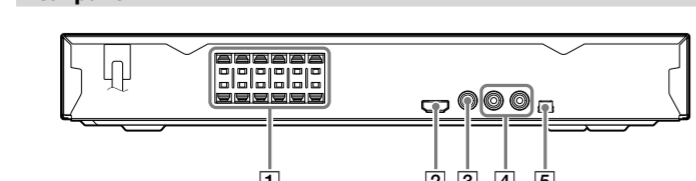
### Parts and Controls

#### Front panel



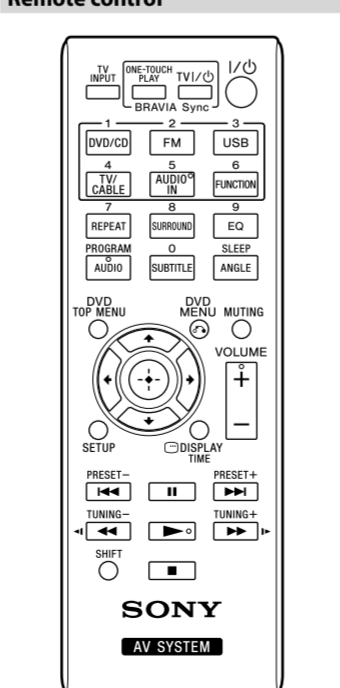
- 1 I/⏻ (on/standby)  
Turns on the unit, or sets it to standby mode.
- 2 Play operation buttons  
▲ (open/close)  
Opens or closes the disc tray.  
▶ (play)  
Starts or re-starts playback (resume play).  
■ (stop)  
Stops playback and remembers the stop point (resume point).  
The resume point for a title/track is the last point you played.
- 3 FUNCTION  
Selects the playback source.
- 4 VOLUME +/-  
Adjusts the system's volume.
- 5 USB (USB) port  
Used for connecting a USB device.
- 6 Disc tray
- 7 Front panel display
- 8 Remote sensor

#### Rear panel



- 1 SPEAKERS terminals
- 2 HDMI OUT jack
- 3 VIDEO OUT jack
- 4 TV/CABLE (AUDIO IN) jacks
- 5 FM ANTENNA jack

### Remote control



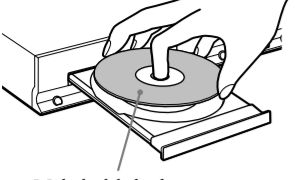
**SHIFT**  
Press and hold this button to use buttons with purple text labels.  
**TV INPUT\***  
Switches the TV's input source between the TV signal and other input sources.

**BRAVIA Sync**  
**ONE-TOUCH PLAY**  
Activates One-Touch Play.  
**TV I/⏻ (on/standby)\***  
Turns on the TV or sets it to standby mode.  
**I/⏻ (on/standby)**  
Turns on the system or sets it to standby mode.  
**Function selection buttons**  
Select the playback source.  
**DVD/CD**  
**FM**  
**USB**  
**TV/CABLE**  
**FUNCTION**  
Selects the functions in sequence.  
**REPEAT**  
Activates repeat/shuffle playback mode.  
**SURROUND**  
Selects surround audio output mode.  
**EQ**  
Selects equalizer mode.  
**AUDIO**  
Selects the audio format/track and FM mode.  
**SUBTITLE**  
Selects the subtitle language when multilingual subtitles are available.  
**ANGLE**  
Switches to other viewing angles when multi-angles are recorded on a DVD VIDEO.  
**Number buttons**  
Enter the title/chapter numbers, preset radio stations, etc.  
**PROGRAM**  
Activates program play and presets radio stations.  
**SLEEP**  
Sets the sleep timer.  
**DVD TOP MENU**  
Opens the DVD's Top Menu.

**DVD MENU**  
Opens or closes the DVD's menu.  
**MUTING**  
Turns off the sound temporarily.  
**⏪/⏩**  
Moves the highlight to a displayed item.  
**⏻ (ENTER)**  
Enters the selected item.  
**VOLUME +/-**  
Adjusts the volume.  
**SETUP**  
Opens or closes the setup menu.  
**DISPLAY**  
Opens or closes the Display Menu.  
**TIME**  
Switches time information during playback.  
**Playback operation buttons**  
**⏪/⏩** (previous/next)  
**⏮/⏭** (fast reverse/fast forward)  
**⏪/⏩** (slow)  
Activates slow reverse/slow forward when **⏪/⏩** is pressed in pause mode.  
**⏸** (pause)  
**▶** (play)  
**■** (stop)  
**Radio operation buttons**  
**PRESET +/-**  
**TUNING +/-**

\* Works with Sony TVs only. Depending on your TV, you may not be able to use some of the buttons.  
**Note**  
**AUDIO IN**  
This button does not work.

## Playing a Disc

- Press DVD/CD. You can also select this function by pressing FUNCTION repeatedly.
  - Press **▲** to open the disc tray.
  - Place a disc on the tray, then press **▲**.
- 
- With the label side up.
- Press **▶** to start playback.
  - Press VOLUME +/- to adjust the volume.

17

## Convenient Functions

### About the Control for HDMI function ("BRAVIA" Sync)

You can control a TV compatible with the Control for HDMI function by connecting it to the system via an HDMI cable.

#### Available features

- One-Touch Play With one touch of ONE-TOUCH PLAY on the remote control, the system and your TV automatically turn on and the TV's input is switched to the system; playback of a disc starts automatically.
- System Power Off When you turn the TV off by using the I/O button on the TV's remote control or TV I/O on the system's remote control, the system turns off automatically.
- System Audio Control You can switch the audio output to either the TV speakers or this system's speakers via the TV's menu.

#### Sleep timer

You can set the system to turn off at a preset time, so you can fall asleep listening to music.

Press and hold **SHIFT**, then press **SLEEP**. Each time you press this button, the minute display (the remaining time) changes by 10 minutes.

A countdown of the last 20 seconds until the unit turns off appears in the front panel display.

To check the remaining time Press and hold **SHIFT** and **SLEEP** for 3 seconds. The remaining time until the unit turns off appears in the front panel display.

21

## Precautions

### On placement

- At high volume, over long periods of time, the cabinet becomes hot to the touch. This is not a malfunction. However, touching the cabinet should be avoided. Do not place the system in a confined space where ventilation is poor as this may cause overheating.
- Do not install the system near heat sources such as radiators or air ducts, or in a place subject to direct sunlight, excessive dust, mechanical vibration, or shock.
- Do not install the system in an inclined position. It is designed to be operated in a horizontal position only.
- Do not place heavy objects on the system.

### On operation

- If the system is brought directly from a cold to a warm location, or is placed in a very damp room, moisture may condense on the lenses inside the unit. Should this occur, the system may not operate properly. In this case, remove the disc and leave the system turned on for about half an hour until the moisture evaporates.
- If anything falls into the cabinet, unplug the unit and have it checked by qualified personnel before operating it any further.

### On cleaning

- Clean the cabinet, panel, and controls with a soft cloth slightly moistened with a mild detergent solution. Do not use any type of abrasive pad, scouring powder, or solvent such as alcohol or benzine. If you have any questions or problems concerning your system, please consult your nearest Sony dealer.

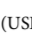
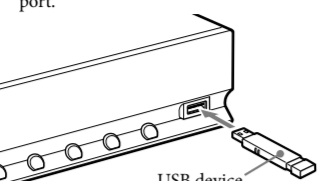
25

## Specifications

AUDIO POWER SPECIFICATIONS for the U.S. models	
POWER OUTPUT AND TOTAL HARMONIC DISTORTION: (FTC)	
Front L + Front R	With 8 ohms loads, both channels driven, from 180 - 20,000 Hz; rated 30 watts per channel minimum RMS power, with no more than 1% total harmonic distortion from 250 milli watts to rated output.
<b>Amplifier Section</b>	
POWER OUTPUT (rated):	
Front L + Front R	30 W + 30 W (at 8 ohms, 1 kHz, 1% THD)
POWER OUTPUT (reference):	
Front L/Front R/Center/Surround L/Surround R: 50 W (per channel at 8 ohms, 1 kHz) Subwoofer: 50 W (at 8 ohms, 100 Hz)	
<b>Inputs</b>	
TV/CABLE:	Pin jack

29

## Playing Files on a Disc/USB Device

- Press DVD/CD or USB.
    - DVD/CD: For a disc.
    - USB: For a USB device.You can also select the function by pressing FUNCTION repeatedly.
  - Load the source.
    - For a disc Place a disc on the tray by pressing **▲** to open/close the disc tray.
    - For a USB device Connect a USB device to the  (USB) port.
- 

- Press **↑/↓** to select a folder, then press **○** and select a file.
- Press **▶** to start playback.
- Press VOLUME +/- to adjust the volume.

#### Note

- Do not remove the USB device during operation. To avoid data corruption or damage to the USB device, turn the system off when connecting or removing the USB device.

17

To cancel the sleep timer function Press and hold **SHIFT**, then press **SLEEP** repeatedly until "OFF" appears in the front panel display.

### To view information about the disc

You can check the playing time and remaining time of the current title, chapter, or track.

Press and hold **SHIFT**, then press **TIME** repeatedly.

Each time you press and hold **SHIFT**, then press **TIME** while playing the disc, the displayed item changes depending on the disc.

21

To cancel the sleep timer function Press and hold **SHIFT**, then press **SLEEP** repeatedly until "OFF" appears in the front panel display.

Each time you press and hold **SHIFT**, then press **TIME** while playing the disc, the displayed item changes depending on the disc.

A countdown of the last 20 seconds until the unit turns off appears in the front panel display.

To check the remaining time Press and hold **SHIFT** and **SLEEP** for 3 seconds. The remaining time until the unit turns off appears in the front panel display.

21

## Other Playback Operations

To change angles Press ANGLE during playback to select the desired angle. (This applies to DVD VIDEOS only.)

To display subtitles Press SUBTITLE during playback to select the desired subtitle language. (This applies to DVD VIDEOS only.)

To change the sound Press AUDIO repeatedly during playback to select the desired audio signal.

When you start playing a VIDEO CD with PBC (Playback control) functions, the menu for your selection appears.

To play with using PBC In stop mode, press and hold **SHIFT**, then press the number buttons to select the track number you want.

To play a VIDEO CD with PBC functions You can make various adjustments to items such as picture and sound.

Displayed items vary depending on the country/model. The default setting is underlined.

1 Press DVD/CD, then eject the disc.

2 Press SETUP. The setup menu appears.

3 Press **←/→** to select one of the setup menu categories, then press **○**.

4 Press **↑/↓** to select a setup item, then press **→** or **○**.

5 Select the option you wish to change and press **○** to confirm and go back to the previously selected item.

6 Press SETUP to turn off the menu. Selected category Setup categories

Selected setting Options

General Setup Page

■ [TV Display] [16:9]: Select this when you connect a wide-screen TV or a TV with a wide mode function.

■ [Screen Saver] [On]: The screen saver image appears if you do not operate the system for about 15 minutes. [Off]: Off.

■ [Last Memory] This system recalls the point where you stopped the disc the last time it was played and resumes playback from that point the next time you insert the same disc. [On]: The system stores the resume points in memory. [Off]: The system does not store the resume points in memory. Playback restarts at the resume point only for the current disc in the unit. Note

■ [Auto Standby] [On]: Enters standby mode automatically when in stop, pause, no disc, or eject mode for more than 30 minutes. [Off]: The unit does not enter standby mode automatically.

■ [Speaker Setup] [Level]: You can adjust the sound level of all the speakers and the subwoofer. [L]: Adjusts the sound level of left speaker. It is possible to adjust the parameter from -6.0 dB to +0.0 dB. [C]: Adjusts the sound level of center speaker. It is possible to adjust the parameter from -6.0 dB to +6.0 dB. [R]: Adjusts the sound level of right speaker. It is possible to adjust the parameter from -6.0 dB to +0.0 dB.

■ [Sur. Speaker] [On]: Activates the surround speakers. [Off]: Deactivates the surround speakers.

■ [Test Tone] The speakers will emit a test tone to set the Level. [On]: The speakers emit the test tone. [Off]: The speakers do not emit the test tone. Tip To adjust the volume of all speakers, press VOLUME +/- on the unit or on the remote control. Press **←/↑/↓/→** repeatedly to select the speaker and the desired level or distance.

■ [Distance] If you move one of the speakers, be sure to set the parameters of the distance from the listening position to speakers. [L/R]: Adjusts the distance of the left/right speakers. It is possible to adjust the parameter from 1.0 m to 7.0 m (3 to 23 ft). [C]: Adjusts the distance of the center speaker. This parameter can be set between 1.6 m (5 ft) shorter and equal to the L/R channel setting. [SL/SR]: Adjusts the distance of the left/right surround speaker. This parameter can be set between 5.0 m (16 ft) shorter and equal to the L/R channel setting.

■ [Center Speaker] [On]: Activates the center speaker. [Off]: Deactivates the center speaker.

■ [Sur. Speaker] [On]: Activates the surround speakers. [Off]: Deactivates the surround speakers.

■ [Test Tone] The speakers will emit a test tone to set the Level. [On]: The speakers emit the test tone. [Off]: The speakers do not emit the test tone. Tip To adjust the volume of all speakers, press VOLUME +/- on the unit or on the remote control. Press **←/↑/↓/→** repeatedly to select the speaker and the desired level or distance.

■ [Distance] If you move one of the speakers, be sure to set the parameters of the distance from the listening position to speakers. [L/R]: Adjusts the distance of the left/right speakers. It is possible to adjust the parameter from 1.0 m to 7.0 m (3 to 23 ft). [C]: Adjusts the distance of the center speaker. This parameter can be set between 1.6 m (5 ft) shorter and equal to the L/R channel setting. [SL/SR]: Adjusts the distance of the left/right surround speaker. This parameter can be set between 5.0 m (16 ft) shorter and equal to the L/R channel setting.

■ [Center Speaker] [On]: Activates the center speaker. [Off]: Deactivates the center speaker.

■ [Sur. Speaker] [On]: Activates the surround speakers. [Off]: Deactivates the surround speakers.

■ [Test Tone] The speakers will emit a test tone to set the Level. [On]: The speakers emit the test tone. [Off]: The speakers do not emit the test tone. Tip To adjust the volume of all speakers, press VOLUME +/- on the unit or on the remote control. Press **←/↑/↓/→** repeatedly to select the speaker and the desired level or distance.

■ [Distance] If you move one of the speakers, be sure to set the parameters of the distance from the listening position to speakers. [L/R]: Adjusts the distance of the left/right speakers. It is possible to adjust the parameter from 1.0 m to 7.0 m (3 to 23 ft). [C]: Adjusts the distance of the center speaker. This parameter can be set between 1.6 m (5 ft) shorter and equal to the L/R channel setting. [SL/SR]: Adjusts the distance of the left/right surround speaker. This parameter can be set between 5.0 m (16 ft) shorter and equal to the L/R channel setting.

■ [Center Speaker] [On]: Activates the center speaker. [Off]: Deactivates the center speaker.

■ [Sur. Speaker] [On]: Activates the surround speakers. [Off]: Deactivates the surround speakers.

■ [Test Tone] The speakers will emit a test tone to set the Level. [On]: The speakers emit the test tone. [Off]: The speakers do not emit the test tone. Tip To adjust the volume of all speakers, press VOLUME +/- on the unit or on the remote control. Press **←/↑/↓/→** repeatedly to select the speaker and the desired level or distance.

■ [Distance] If you move one of the speakers, be sure to set the parameters of the distance from the listening position to speakers. [L/R]: Adjusts the distance of the left/right speakers. It is possible to adjust the parameter from 1.0 m to 7.0 m (3 to 23 ft). [C]: Adjusts the distance of the center speaker. This parameter can be set between 1.6 m (5 ft) shorter and equal to the L/R channel setting. [SL/SR]: Adjusts the distance of the left/right surround speaker. This parameter can be set between 5.0 m (16 ft) shorter and equal to the L/R channel setting.

■ [Center Speaker] [On]: Activates the center speaker. [Off]: Deactivates the center speaker.

■ [Sur. Speaker] [On]: Activates the surround speakers. [Off]: Deactivates the surround speakers.

■ [Test Tone] The speakers will emit a test tone to set the Level. [On]: The speakers emit the test tone. [Off]: The speakers do not emit the test tone. Tip To adjust the volume of all speakers, press VOLUME +/- on the unit or on the remote control. Press **←/↑/↓/→** repeatedly to select the speaker and the desired level or distance.

■ [Distance] If you move one of the speakers, be sure to set the parameters of the distance from the listening position to speakers. [L/R]: Adjusts the distance of the left/right speakers. It is possible to adjust the parameter from 1.0 m to 7.0 m (3 to 23 ft). [C]: Adjusts the distance of the center speaker. This parameter can be set between 1.6 m (5 ft) shorter and equal to the L/R channel setting. [SL/SR]: Adjusts the distance of the left/right surround speaker. This parameter can be set between 5.0 m (16 ft) shorter and equal to the L/R channel setting.

■ [Center Speaker] [On]: Activates the center speaker. [Off]: Deactivates the center speaker.

■ [Sur. Speaker] [On]: Activates the surround speakers. [Off]: Deactivates the surround speakers.

■ [Test Tone] The speakers will emit a test tone to set the Level. [On]: The speakers emit the test tone. [Off]: The speakers do not emit the test tone. Tip To adjust the volume of all speakers, press VOLUME +/- on the unit or on the remote control. Press **←/↑/↓/→** repeatedly to select the speaker and the desired level or distance.

■ [Distance] If you move one of the speakers, be sure to set the parameters of the distance from the listening position to speakers. [L/R]: Adjusts the distance of the left/right speakers. It is possible to adjust the parameter from 1.0 m to 7.0 m (3 to 23 ft). [C]: Adjusts the distance of the center speaker. This parameter can be set between 1.6 m (5 ft) shorter and equal to the L/R channel setting. [SL/SR]: Adjusts the distance of the left/right surround speaker. This parameter can be set between 5.0 m (16 ft) shorter and equal to the L/R channel setting.

■ [Center Speaker] [On]: Activates the center speaker. [Off]: Deactivates the center speaker.

■ [Sur. Speaker] [On]: Activates the surround speakers. [Off]: Deactivates the surround speakers.

■ [Test Tone] The speakers will emit a test tone to set the Level. [On]: The speakers emit the test tone. [Off]: The speakers do not emit the test tone. Tip To adjust the volume of all speakers, press VOLUME +/- on the unit or on the remote control. Press **←/↑/↓/→** repeatedly to select the speaker and the desired level or distance.

■ [Distance] If you move one of the speakers, be sure to set the parameters of the distance from the listening position to speakers. [L/R]: Adjusts the distance of the left/right speakers. It is possible to adjust the parameter from 1.0 m to 7.0 m (3 to 23 ft). [C]: Adjusts the distance of the center speaker. This parameter can be set between 1.6 m (5 ft) shorter and equal to the L/R channel setting. [SL/SR]: Adjusts the distance of the left/right surround speaker. This parameter can be set between 5.0 m (16 ft) shorter and equal to the L/R channel setting.

■ [Center Speaker] [On]: Activates the center speaker. [Off]: Deactivates the center speaker.

■ [Sur. Speaker] [On]: Activates the surround speakers. [Off]: Deactivates the surround speakers.

■ [Test Tone] The speakers will emit a test tone to set the Level. [On]: The speakers emit the test tone. [Off]: The speakers do not emit the test tone. Tip To adjust the volume of all speakers, press VOLUME +/- on the unit or on the remote control. Press **←/↑/↓/→** repeatedly to select the speaker and the desired level or distance.

■ [Distance] If you move one of the speakers, be sure to set the parameters of the distance from the listening position to speakers. [L/R]: Adjusts the distance of the left/right speakers. It is possible to adjust the parameter from 1.0 m to 7.0 m (3 to 23 ft). [C]: Adjusts the distance of the center speaker. This parameter can be set between 1.6 m (5 ft) shorter and equal to the L/R channel setting. [SL/SR]: Adjusts the distance of the left/right surround speaker. This parameter can be set between 5.0 m (16 ft) shorter and equal to the L/R channel setting.

■ [Center Speaker] [On]: Activates the center speaker. [Off]: Deactivates the center speaker.

■ [Sur. Speaker] [On]: Activates the surround speakers. [Off]: Deactivates the surround speakers.

■ [Test Tone] The speakers will emit a test tone to set the Level. [On]: The speakers emit the test tone. [Off]: The speakers do not emit the test tone. Tip To adjust the volume of all speakers, press VOLUME +/- on the unit or on the remote control. Press **←/↑/↓/→** repeatedly to select the speaker and the desired level or distance.

■ [Distance] If you move one of the speakers, be sure to set the parameters of the distance from the listening position to speakers. [L/R]: Adjusts the distance of the left/right speakers. It is possible to adjust the parameter from 1.0 m to 7.0 m (3 to 23 ft). [C]: Adjusts the distance of the center speaker. This parameter can be set between 1.6 m (5 ft) shorter and equal to the L/R channel setting. [SL/SR]: Adjusts the distance of the left/right surround speaker. This parameter can be set between 5.0 m (16 ft) shorter and equal to the L/R channel setting.

■ [Center Speaker] [On]: Activates the center speaker. [Off]: Deactivates the center speaker.

■ [Sur. Speaker] [On]: Activates the surround speakers. [Off]: Deactivates the surround speakers.

■ [Test Tone] The speakers will emit a test tone to set the Level. [On]: The speakers emit the test tone. [Off]: The speakers do not emit the test tone. Tip To adjust the volume of all speakers, press VOLUME +/- on the unit or on the remote control. Press **←/↑/↓/→** repeatedly to select the speaker and the desired level or distance.

■ [Distance] If you move one of the speakers, be sure to set the parameters of the distance from the listening position to speakers. [L/R]: Adjusts the distance of the left/right speakers. It is possible to adjust the parameter from 1.0 m to 7.0 m (3 to 23 ft). [C]: Adjusts the distance of the center speaker. This parameter can be set between 1.6 m (5 ft) shorter and equal to the L/R channel setting. [SL/SR]: Adjusts the distance of the left/right surround speaker. This parameter can be set between 5.0 m (16 ft) shorter and equal to the L/R channel setting.

■ [Center Speaker] [On]: Activates the center speaker. [Off]: Deactivates the center speaker.

■ [Sur. Speaker] [On]: Activates the surround speakers. [Off]: Deactivates the surround speakers.

■ [Test Tone] The speakers will emit a test tone to set the Level. [On]: The speakers emit the test tone. [Off]: The speakers do not emit the test tone. Tip To adjust the volume of all speakers, press VOLUME +/- on the unit or on the remote control. Press **←/↑/↓/→** repeatedly to select the speaker and the desired level or distance.

■ [Distance] If you move one of the speakers, be sure to set the parameters of the distance from the listening position to speakers. [L/R]: Adjusts the distance of the left/right speakers. It is possible to adjust the parameter from 1.0 m to 7.0 m (3 to 23 ft). [C]: Adjusts the distance of the center speaker. This parameter can be set between 1.6 m (5 ft) shorter and equal to the L/R channel setting. [SL/SR]: Adjusts the distance of the left/right surround speaker. This parameter can be set between 5.0 m (16 ft) shorter and equal to the L/R channel setting.

■ [Center Speaker] [On]: Activates the center speaker. [Off]: Deactivates the center speaker.

■ [Sur. Speaker] [On]: Activates the surround speakers. [Off]: Deactivates the surround speakers.

■ [Test Tone] The speakers will emit a test tone to set the Level. [On]: The speakers emit the test tone. [Off]: The speakers do not emit the test tone. Tip To adjust the volume of all speakers, press VOLUME +/- on the unit or on the remote control. Press **←/↑/↓/→** repeatedly to select the speaker and the desired level or distance.

■ [Distance] If you move one of the speakers, be sure to set the parameters of the distance from the listening position to speakers. [L/R]: Adjusts the distance of the left/right speakers. It is possible to adjust the parameter from 1.0 m to 7.0 m (3 to 23 ft). [C]: Adjusts the distance of the center speaker. This parameter can be set between 1.6 m (5 ft) shorter and equal to the L/R channel setting. [SL/SR]: Adjusts the distance of the left/right surround speaker. This parameter can be set between 5.0 m (16 ft) shorter and equal to the L/R channel setting.

■ [Center Speaker] [On]: Activates the center speaker. [Off]: Deactivates the center speaker.

■ [Sur. Speaker] [On]: Activates the surround speakers. [Off]: Deactivates the surround speakers.

■ [Test Tone] The speakers will emit a test tone to set the Level. [On]: The speakers emit the test tone. [Off]: The speakers do not emit the test tone. Tip To adjust the volume of all speakers, press VOLUME +/- on the unit or on the remote control. Press **←/↑/↓/→** repeatedly to select the speaker and the desired level or distance.

■ [Distance] If you move one of the speakers, be sure to set the parameters of the distance from the listening position to speakers. [L/R]: Adjusts the distance of the left/right speakers. It is possible to adjust the parameter from 1.0 m to 7.0 m (3 to 23 ft). [C]: Adjusts the distance of the center speaker. This parameter can be set between 1.6 m (5 ft) shorter and equal to the L/R channel setting. [SL/SR]: Adjusts the distance of the left/right surround speaker. This parameter can be set between 5.0 m (16 ft) shorter and equal to the L/R channel setting.

■ [Center Speaker] [On]: Activates the center speaker. [Off]: Deactivates the center speaker.

■ [Sur. Speaker] [On]: Activates the surround speakers. [Off]: Deactivates the surround speakers.

■ [Test Tone] The speakers will emit a test tone to set the Level. [On]: The speakers emit the test tone. [Off]: The speakers do not emit the test tone. Tip To adjust the volume of all speakers, press VOLUME +/- on the unit or on the remote control. Press **←/↑/↓/→** repeatedly to select the speaker and the desired level or distance.

■ [Distance] If you move one of the speakers, be sure to set the parameters of the distance from the listening position to speakers. [L/R]: Adjusts the distance of the left/right speakers. It is possible to adjust the parameter from 1.0 m to 7.0 m (3 to 23 ft). [C]: Adjusts the distance of the center speaker. This parameter can be set between 1.6 m (5 ft) shorter and equal to the L/R channel setting. [SL/SR]: Adjusts the distance of the left/right surround speaker. This parameter can be set between 5.0 m (16 ft) shorter and equal to the L/R channel setting.

■ [Center Speaker] [On]: Activates the center speaker. [Off]: Deactivates the center speaker.

■ [Sur. Speaker] [On]: Activates the surround speakers. [Off]: Deactivates the surround speakers.

■ [Test Tone] The speakers will emit a test tone to set the Level. [On]: The speakers emit the test tone. [Off]: The speakers do not emit the test tone. Tip To adjust the volume of all speakers, press VOLUME +/- on the unit or on the remote control. Press **←/↑/↓/→** repeatedly to select the speaker and the desired level or distance.

■ [Distance] If you move one of the speakers, be sure to set the parameters of the distance from the listening position to speakers. [L/R]: Adjusts the distance of the left/right speakers. It is possible to adjust the parameter from 1.0 m to 7.0 m (3 to 23 ft). [C]: Adjusts the distance of the center speaker. This parameter can be set between 1.6 m (5 ft) shorter and equal to the L/R channel setting. [SL/SR]: Adjusts the distance of the left/right surround speaker. This parameter can be set between 5.0 m (16 ft) shorter and equal to the L/R channel setting.

■ [Center Speaker] [On]: Activates the center speaker. [Off]: Deactivates the center speaker.

■ [Sur. Speaker] [On]: Activates the surround speakers. [Off]: Deactivates the surround speakers.

■ [Test Tone] The speakers will emit a test tone to set the Level. [On]: The speakers emit the test tone. [Off]: The speakers do not emit the test tone. Tip To adjust the volume of all speakers, press VOLUME +/- on the unit or on the remote control. Press **←/↑/↓/→** repeatedly to select the speaker and the desired level or distance.

■ [Distance] If you move one of the speakers, be sure to set the parameters of the distance from the listening position to speakers. [L/R]: Adjusts the distance of the left/right speakers. It is possible to adjust the parameter from 1.0 m to 7.0 m (3 to 23 ft). [C]: Adjusts the distance of the center speaker. This parameter can be set between 1.6 m (5 ft) shorter and equal to the L/R channel setting. [SL/SR]: Adjusts the distance of the left/right surround speaker. This parameter can be set between 5.0 m (16 ft) shorter and equal to the L/R channel setting.

■ [Center Speaker] [On]: Activates the center speaker. [Off]: Deactivates the center speaker.

■ [Sur. Speaker] [On]: Activates the surround speakers. [Off]: Deactivates the surround speakers.

■ [Test Tone] The speakers will emit a test tone to set the Level. [On]: The speakers emit the test tone. [Off]: The speakers do not emit the test tone. Tip To adjust the volume of all speakers, press VOLUME +/- on the unit or on the remote control. Press **←/↑/↓/→** repeatedly to select the speaker and the desired level or distance.

■ [Distance] If you move one of the speakers, be sure to set the parameters of the distance from the listening position to speakers. [L/R]: Adjusts the distance of the left/right speakers. It is possible to adjust the parameter from 1.0 m to 7.0 m (3 to 23 ft). [C]: Adjusts the distance of the center speaker. This parameter can be set between 1.6 m (5 ft) shorter and equal to the L/R channel setting. [SL/SR]: Adjusts the distance of the left/right surround speaker. This parameter can be set between 5.0 m (16 ft) shorter and equal to the L/R channel setting.

■ [Center Speaker] [On]: Activates the center speaker. [Off]: Deactivates the center speaker.

■ [Sur. Speaker] [On]: Activates the surround speakers. [Off]: Deactivates the surround speakers.

■ [Test Tone] The speakers will emit a test tone to set the Level. [On]: The speakers emit the test tone. [Off]: The speakers do not emit the test tone. Tip To adjust the volume of all speakers, press VOLUME +/- on the unit or on the remote control. Press **←/↑/↓/→** repeatedly to select the speaker and the desired level or distance.

■ [Distance] If you move one of the speakers, be sure to set the parameters of the distance from the listening position to speakers. [L/R]: Adjusts the distance of the left/right speakers. It is possible to adjust the parameter from 1.0 m to 7.0 m (3 to 23 ft). [C]: Adjusts the distance of the center speaker. This parameter can be set between 1.6 m (5 ft) shorter and equal to the L/R channel setting. [SL/SR]: Adjusts the distance of the left/right surround speaker. This parameter can be set between 5.0 m (16 ft) shorter and equal to the L/R channel setting.

■ [Center Speaker] [On]: Activates the center speaker. [Off]: Deactivates the center speaker.

■ [Sur. Speaker] [On]: Activates the surround speakers. [Off]: Deactivates the surround speakers.

■ [Test Tone] The speakers will emit a test tone to set the Level. [On]: The speakers emit the test tone. [Off]: The speakers do not emit the test tone. Tip To adjust the volume of all speakers, press VOLUME +/- on the unit or on the remote control. Press **←/↑/↓/→** repeatedly to select the speaker and the desired level or distance.

■ [Distance] If you move one of the speakers, be sure to set the parameters of the distance from the listening position to speakers. [L/R]: Adjusts the distance of the left/right speakers. It is possible to adjust the parameter from 1.0 m to 7.0 m (3 to 23 ft). [C]: Adjusts the distance of the center speaker. This parameter can be set between 1.6 m (5 ft) shorter and equal to the L/R channel setting. [SL/SR]: Adjusts the distance of the left/right surround speaker. This parameter can be set between 5.0 m (16 ft) shorter and equal to the L/R channel setting.

■ [Center Speaker] [On]: Activates the center speaker. [Off]: Deactivates the center speaker.

■ [Sur. Speaker] [On]: Activates the surround speakers. [Off]: Deactivates the surround speakers.

■ [Test Tone] The speakers will emit a test tone to set the Level. [On]: The speakers emit the test tone. [Off]: The speakers do not emit the test tone. Tip To adjust the volume of all speakers