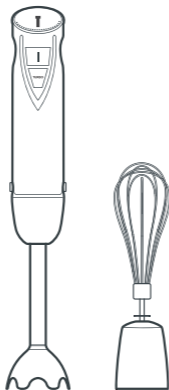


KOIOS

TURBO DANCER-HA0691

USER MANUAL



Spoil Your Home with KOIOS

www.mykoios.com/warranty

facebook.com/mykoios

ACTIVATE YOUR 24-MONTH WARRANTY & EXCLUSIVE GIFT

Register within 7 days after receiving your new product.

PLEASE VISIT NOW

→ www.mykoios.com/warranty

CUSTOMER SERVICE



support@mykoios.com



@mykoios



NOTE

1. Do not hold the ON/TURBO button for more than 60 seconds.
2. In case of improper operation, the overload protection switch will activate. Please unplug from power and wait 5-10 minutes for it to reset after it stops working.
3. Do not use on the surface of cookware to avoid scratching.

A Big Thank You

We're thrilled that you have chosen to purchase the Turbo
Dancer.

At KOIOS, we're committed to providing products that
enhance your daily life.

We aim to give our customers excellent support. If you have
any questions or feedback about your new product, get in
touch with our customer support team at 1-855-558-8777, or
by email at support@mykoios.com.

Enjoy your new product!

Your safety and the safety of others are very important

We have provided many important safety messages in this manual and on your appliance. Always read and obey all safety messages.



This is the safety alert symbol.

This symbol alerts you to potential hazards that can hurt you and others.

All safety messages will follow the safety alert symbol and either the words "DANGER" or "WARNING". These words mean:

▲ DANGER

Death or serious injury may occur if these instructions are not directly followed.

▲ WARNING

Death or serious injury may occur if these instructions are not followed.

All safety messages will tell you what the potential hazard is, tell you how to reduce the chance of injury and tell you what can happen if the instructions are not followed.

CONTENTS

HAND BLENDER SAFETY	01
UNPACKING INSTRUCTIONS	04
PARTS AND FEATURES	05
PARTS AND FEATURES	06
ASSEMBLY	07
OPERATION	09
CLEANING AND	10
MAINTENANCE	11
TIPS AND HINTS	13

HAND BLENDER SAFETY

IMPORTANT SAFEGUARDS

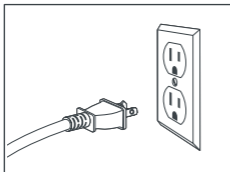
When using an electrical appliance, basic safety precautions should always be followed, including the following:

1. READ ALL INSTRUCTIONS CAREFULLY.
2. Unplug the blender from the outlet when not in use, when performing maintenance and before cleaning. To unplug, grasp the plug and remove from the electrical outlet. Never pull the cord.
3. To protect against electrical shock, do not put the motor body, cord or electrical plug of this hand blender in water or other liquids. Only the detachable blending shaft and other certain parts of this appliance have been designed for immersion into water or other liquids. Never submerge any other portion of this unit. If the hand blender falls into liquid, remove it immediately. Do not reach into the liquid without unplugging the unit first.
4. This appliance should not be used by children. To avoid possible accidental injury, close supervision is necessary when any appliance is used by or near children.
5. Avoid contact with moving parts.
6. During operation keep hands, hair and clothing, as well as spatulas and other utensils away from attachments and any containers to reduce risk of injury to persons and/or damage to the appliance. A spatula may be used, but must only be used when the unit is not operating.
7. Do not operate any appliance with a damaged cord or plug, or after the appliance has malfunctioned or has been dropped or damaged in any way or is not operating properly.
8. Remove the detachable shaft from the blender before washing the blades or shaft.

9. When mixing liquids, especially hot liquids, use a tall container or make small quantities at a time to reduce spillage, splattering and possibility of injury from burning.
10. The use of attachments or accessories not recommended by KOIOS may cause fire, electrical shock or risk of injury.
11. Do not use outdoors or for other than its intended use.
12. Do not let any cord hang over the edge of the table or counter. Do not let the cord come into contact with hot surfaces, including stove-tops.
13. Make sure the appliance is off, the motor has stopped completely, and the appliance is unplugged from the outlet before putting on or taking off attachments, and before cleaning.
14. Do not operate this appliance in an appliance garage or under a wall cabinet. When storing in an appliance garage, always unplug the unit from the electrical outlet. Not doing so could create a risk of fire.

**SAVE THESE INSTRUCTIONS.
FOR HOUSEHOLD USE ONLY.**

ELECTRICAL REQUIREMENTS



KOIOS
MODEL: HB-2031
Volts: 110-120V
Hertz: 50/60 Hz
Watts: 800w

NOTE:

To reduce the risk of electrical shock, this plug will fit in an outlet only one way. If the plug does not fit in the outlet, reverse the plug. If it still does not fit, contact a qualified electrician to install an appropriate plug. Do not modify the plug in any way.

UNPACKING INSTRUCTIONS

Place the package containing the Koios 12-speed Hand Blender on a sturdy surface. Unpack the Koios Hand Blender from its box. Gently slide the unit from the box. Remove all support materials from the box. Save packaging for possible repacking of the unit.

NOTE:

The blending blade is extremely sharp.
Before using the KOIOS 12-speed Hand Blender for the first time, we recommend that you wipe the unit with a clean, damp cloth to remove any dirt or dust. Dry it thoroughly with a soft absorbent cloth.

PARTS AND FEATURES

1. Comfort Grip Handle (A)

The handle allows you to control the hand blender with ease.

2. Low/Turbo Two-speed Power Button(B)

Allows you to activate the hand blender at the touch of a button. Simply press and hold down the Low or Turbo button to blend or pulse. Once the button is released, blending will stop.

3. Main Body Housing(C)

The main body is not dishwasher safe.

4. Detachable Blending Shaft (D)

Hold the blending shaft with the blades down, and align the top end of the blending shaft with the corresponding end of the main body and push until the blending shaft clicks and locks into the main body. By pressing the release button on the side of the unit, the shaft will detach for easy cleaning.

5. Blade Guard(E)

The fixed stainless blade is partially covered by a stainless housing that keeps splashing to a minimum. Blades are SHARP. Handle carefully when removing, inserting or cleaning

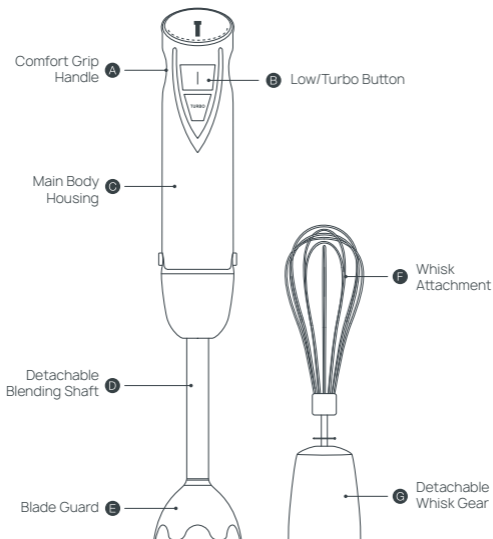
6. Whisk Attachment(F)

The whisk attachment snaps into the main body housing. This attachment is great for whipping cream, egg whites and other delectable treats.

7. Detachable Whisk Gear(G)

The whisk attachment attaches to the whisk gear. The whisk gear is not dishwasher safe.

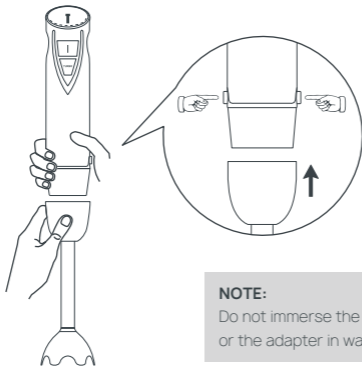
PARTS AND FEATURES



ASSEMBLY

BLENDING ATTACHMENT

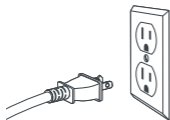
1. Align the main body with the blending shaft and push the pieces together until you hear and feel them click together. It may be helpful to press the release button when assembling.



NOTE:

Do not immerse the motor body or the adapter in water.

2. Plug the power cord of the hand blender into an electrical outlet.



NOTE:

Always be sure to unplug the power cord from the wall socket before attaching or removing attachments.

WHISK ATTACHMENT

1. Align the main body with the assembled whisk attachment and push the pieces together until you hear and feel them click together. It may be helpful to press the release button when assembling.

**NOTE:**

The whisk gear is not dishwasher safe

OPERATION

BLENDING

The specially designed blade is for mixing and pureeing all kinds of foods including salad dressings, powdered drink products, soups, sauces and blended drinks like milkshakes. This blade mixes and stirs while adding only a minimum of air to your mixture. A gentle up-and-down motion is all you need to make the most flavorful full-bodied recipes. Be careful never to remove the blending shaft from the liquid while in operation, to avoid splatter. Tilt the pan or bowl away from you if needed to ensure the protective blade guard on the blending shaft is fully submerged.

1. Put the blending shaft into the mixture to be blended.
2. Press and hold the desired speed button. The hand blender will continue to run as long as the button is pressed in. To turn the hand blender off, release the power button and the motor will stop.
3. Unplug immediately after use.
Caution: Do not use fingers near the blade. To dislodge food, unplug the blender from the power outlet first.
4. Do not use in non-stick cookware to avoid scratching.

⚠ WARNING

Do not operate the blender for longer than 60 seconds at a time. Failure to do so can result in overheating.

WHISKING

1. Insert the whisk attachment into the main body.
2. Plug the electrical cord into a wall socket.
3. Put the whisk into the mixture that is to be blended.
4. Press and hold the desired speed button. The hand blender will continue to run as long as the switch is pressed. To turn the hand blender off, release the power button and the motor will stop.

CLEANING AND MAINTENANCE

HAND BLENDER

Always clean the main body and blending shaft thoroughly after use. Remove the blending shaft from the main body. Clean the main body only with a sponge or damp cloth. Do not use abrasive cleaners that could scratch the surface. To clean the blending shaft, wash by hand in hot water using mild detergent. Be mindful of the fixed razor-sharp edges.

WHISK ATTACHMENT

To clean your whisk attachment, simply release the attachment from the motor body housing. Once the whisk is removed, detach the metal whisk from the gear by pulling the two pieces apart. To clean the gear, simply wipe with a damp cloth. To clean the metal whisk, wash with warm soapy water or put into the dishwasher. Do not submerge the gearbox in water or any other liquid. Any service, other than cleaning and normal user maintenance, should be performed by an authorized KOIOS service representative:
1-855-558-8777 support@mykoios.com

TIPS AND HINTS

FOR HAND BLENDER

Be sure that the blending blade guard is fully submerged before blending ingredients.

To puree a soup, use the hand blender to blend the soup ingredients to the desired consistency, using a gentle up-and-down motion directly in the saucepan or pot.

When blending ingredients directly in a pot or pan, tilt the pan away from you to create a deeper area for blending to prevent splatter.

Do not use in non-stick cookware to protect the non-stick coating. If you do, be careful not to scratch the coating with the hand blender.

When blending in a cup, for example when making a fruit smoothie, cut most solid foods into 1/2 inch pieces for easy blending

Use the hand blender to make smooth gravies and pan sauces. Do not immerse the main body of the blender in water or any other liquid.

When blending in the cup, pour liquid ingredients in first, unless the recipe instructs otherwise.

Do not attempt to blend/mix ice cubes, bones, coffee beans or other hard materials, as these are liable to damage the blades.

To avoid splashing, insert the hand blender into the mixture before pressing the power button, and release the power button before pulling the hand blender out of the mixture.

Do not overfill the containers. The level of the mixture will rise when blending and can overflow.

To whip air into a mixture, always hold the blade just under the surface.

Using a gentle up-and-down motion is the best way to blend and incorporate ingredients uniformly.

Liquid should not come closer than 1-inch of where the shaft attaches to the main body.

FOR WHISK ATTACHMENT

Do not immerse whisk attachment gear in water or any other liquid.

Use the whisk attachment for beating heavy cream or egg whites. When beating egg whites use a very clean metal or glass bowl, never plastic. Plastic can contain hidden oils and fats that can ruin the delicate egg white foam. To help stabilize the egg whites, add 1/8 teaspoon of cream of tartar per egg white prior to beating them. (If using a copper bowl omit the cream of tartar. Beat the egg whites until desired peaks form.

It may also be used for any task that you would normally whisk by hand, like crepe batters or eggs for omelets.

Beating the egg whites too long causes them to dry out and become less stable.

When adding sugar to beaten egg whites, add it slowly when soft peaks just begin to form and then continue beating to form desired peaks.

When beating heavy cream, if possible and time allows, use a chilled bowl and chill the whisk attachment. The best shaped bowl for whipping cream is one that is deep with a rounded bottom to minimize any splatter.

The cream should come out of the refrigerator just before whipping. Whipped cream may be used at either soft or firm peaks depending on preference. It may be flavored as desired. For best results, whip cream just before using.

WARRANTY

LIMITED TWO-YEAR WARRANTY

This warranty is available to consumers only. You are a consumer if you own a KOIOS Twelve-speed Hand Blender that was retail purchased for personal, family or household use. Except as otherwise required under applicable law, this warranty is not available to retailers or other commercial purchasers or owners.

Hassle-free Replacement of your Hand Blender.

If your KOIOS Twelve-speed Hand Blender should prove to be defective within the warranty period, we will repair it, or if we think necessary replace it. To obtain warranty service, simply contact an authorized KOIOS Service Representative:

 1-855-558-8777  support@mykoios.com

Length of Warranty: Two-year warranty from date of purchase.

Proof of purchase required for in-warranty service

Please complete the following for your personal records:

Product model:

Warranty Period:

Date of purchase:

Name:

Address:

Phone number:

E-mail:

Additional info:

ACTIVATE YOUR 24-MONTH WARRANTY & EXCLUSIVE GIFT

Register within 7 days after receiving your new product.

PLEASE VISIT NOW

→ www.mykoios.com/warranty

CUSTOMER SERVICE



support@mykoios.com



@mykoios



NOTE

1. Do not hold the ON/TURBO button for more than 60 seconds.
2. In case of improper operation, the overload protection switch will activate. Please unplug from power and wait 5-10 minutes for it to reset after it stops working.
3. Do not use on the surface of cookware to avoid scratching.

KOIOS



**24/7 LIVE CHAT
SUPPORT**

1-855-558-8777

support@mykoios.com

[www.mykoios.com\(live chat\)](http://www.mykoios.com(live chat))



Made in China