

WE Walker[®]
Edison
furniture company

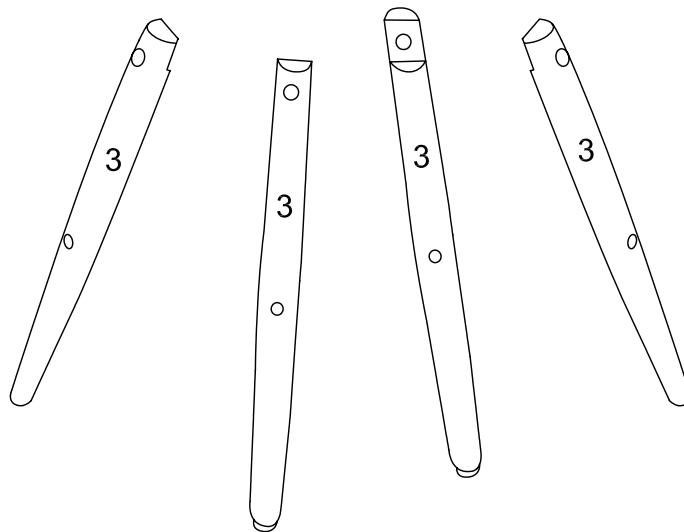
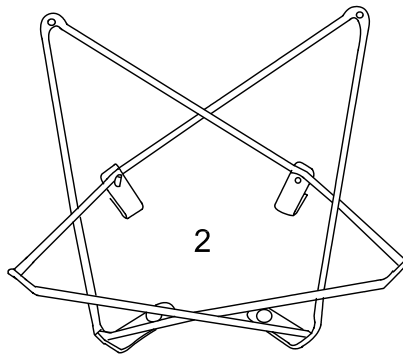
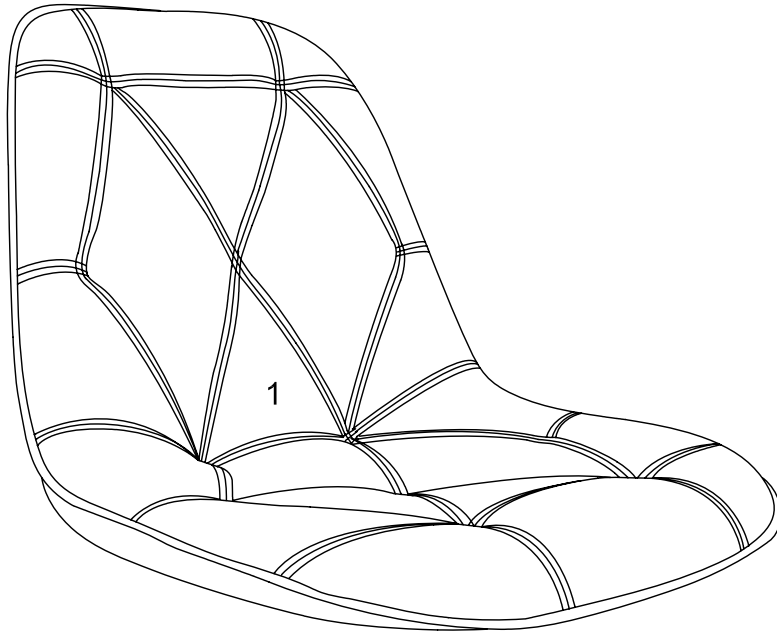
Item # : CH18U
Assembly Instructions



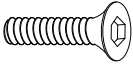
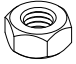
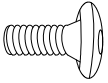





*To request missing, lost or broken parts , or for any other customer service issues,
please visit our website at www.walkeredison.com or call us at 877-207-5906.*

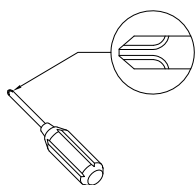
Revised 05/2016

Parts List



Hardware List

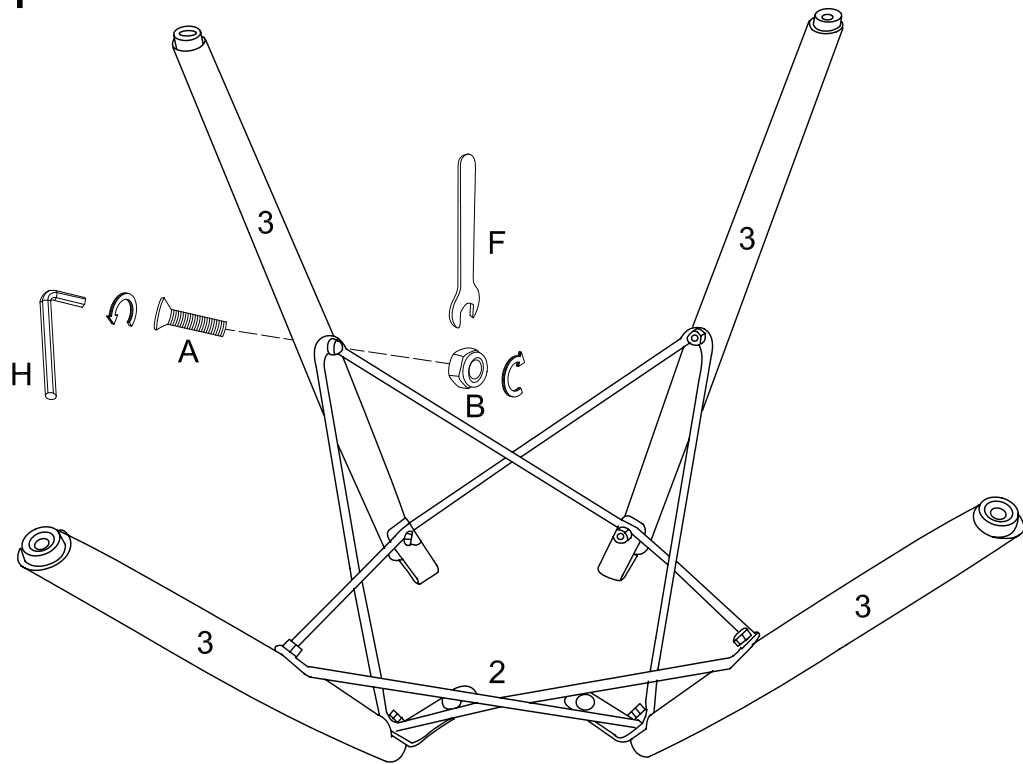
A		M6*35mm	Bolt	8 pcs
B		M6*30	Nut	8 pcs
C		M6*16mm	Bolt	4 pcs
D			Spring washer	4 pcs
E			Washer	4 pcs
F		M6*30	Wrench	1 pc
G		M5mm	Wrench	1 pc
H		M4mm	Wrench	1 pc



Philips head screwdriver required for assembly
(not included)

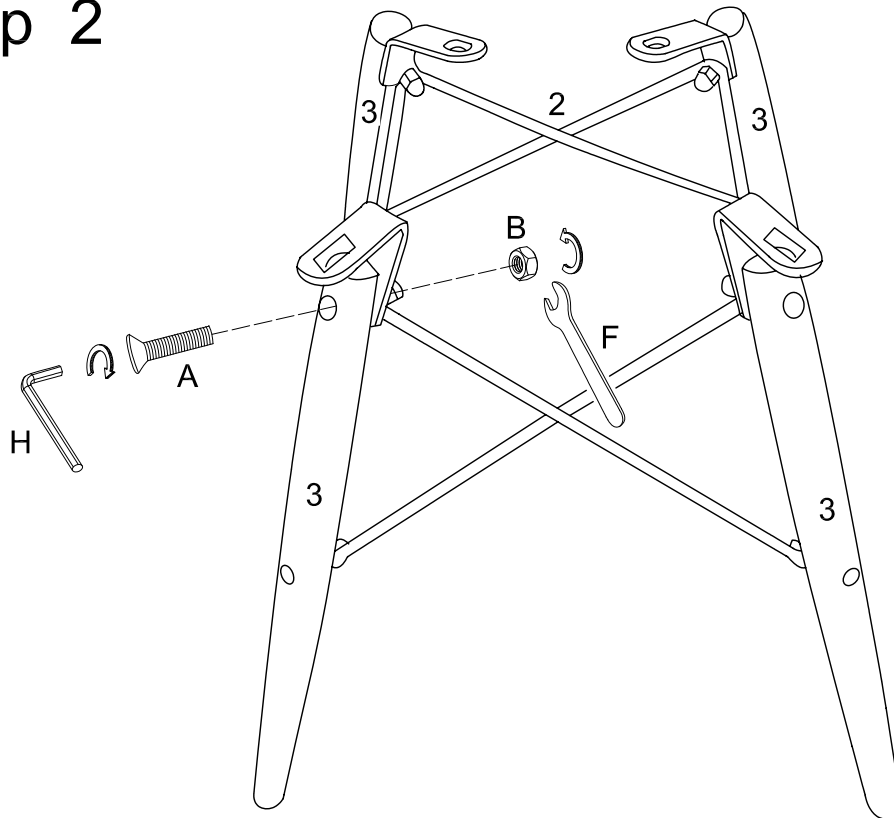
*The hardware quantities listed above are required for proper assembly.
Some extra hardware may also have been included.*

Step 1



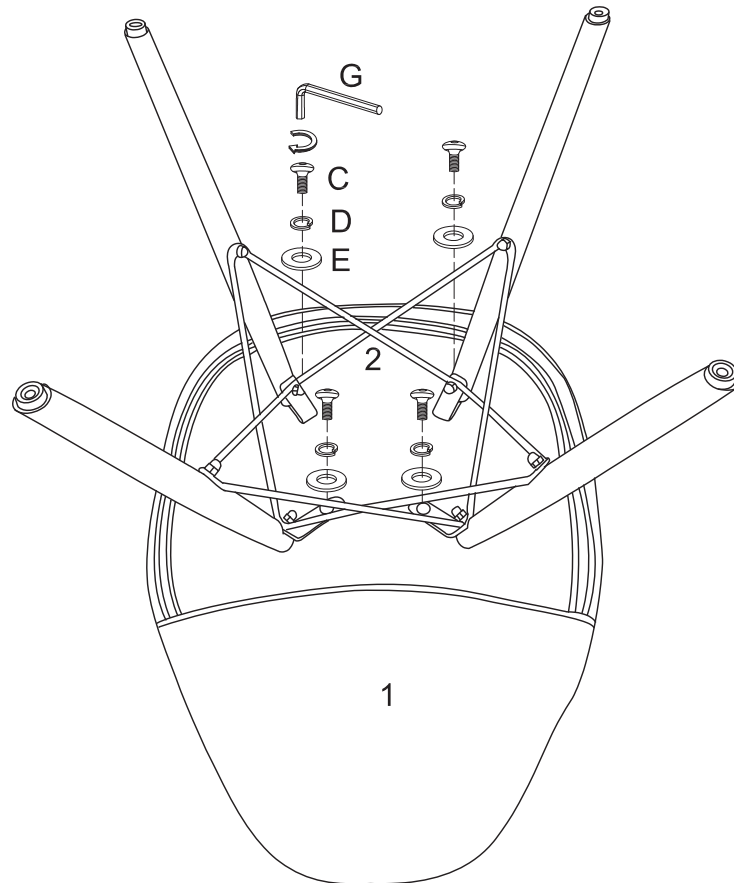
Use bolts (A), wrench (H), nuts (B) and wrench (F) to assemble the metal frame (2) to the wooden legs (3) as shown in the diagram.

Step 2



Use bolts (A), wrench (H), nuts (B) and wrench (F) to assemble the upper parts of the metal frame (2) to the wooden legs (3) as shown in the diagram.

Step 3



Attach the seating frame (1) to the metal frame (2) and secure it by using washers (E), spring washers (D), bolts (C) and wrench (G).

Step 4



Final Assembly