

Adjust Tension on Left Monitor Arm

Model MK-101 Triple Monitor Stand



- To adjust tension on the left arm (when facing the stand), use a flat head screwdriver, gently pop off the black plastic cap located on inner part of the vesa plate. There's a black plastic cap located on the outer and inner edge.

- Use the provided wrench to tighten or loosen to our desire.

Adjust Tension on Right Monitor Arm

Model MK-101 Triple Monitor Stand



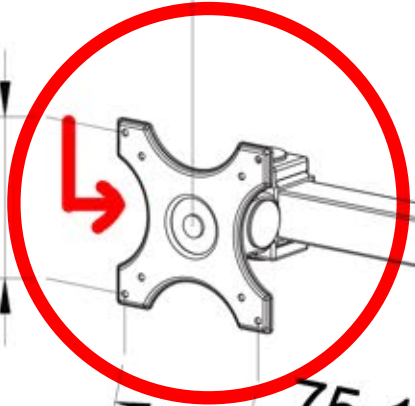
- To adjust tension on the right arm (when facing the stand), use a flat head screwdriver, gently pop off the black plastic cap located on outer part of the vesa plate. There's a black plastic cap located on the outer and inner edge.

- Use the provided wrench to tighten or loosen to our desire.

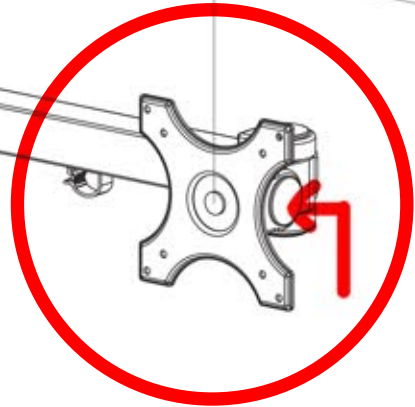
To adjust monitor arm tension, use a flat head screwdriver to pop off black plastic cap
Use provided wrench to adjust bolt

1220mm

75-100mm



75-100mm



482mm

340mm

318mm

To adjust monitor arm tension, use a flat head screwdriver to pop off black plastic cap
Use provided wrench to adjust bolt