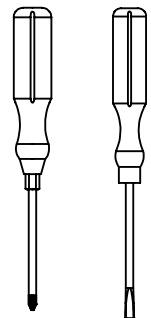
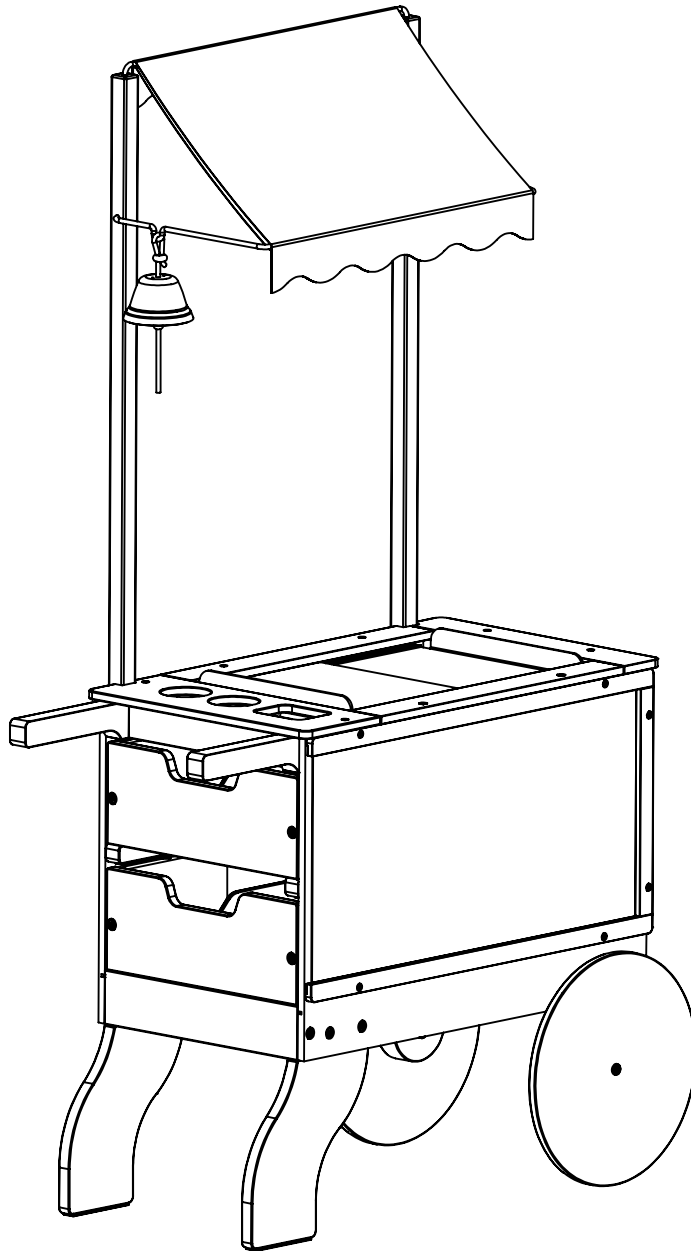




# Snacks & Sweets Food Cart

## Assembly Instructions



**NOTE:** Phillips and Flat Head screwdrivers needed for assembly

**⚠ CAUTION:**  
Adult assembly required.

We care about your comments. Please call us!

**1-800-284-3948**

[www.MelissaAndDoug.com](http://www.MelissaAndDoug.com)

**⚠ WARNING:**  
CHOKING HAZARD- Small parts.  
Not for children under 3 years.

© 2014 Melissa & Doug, LLC, P.O. Box 590, Westport, CT 06881

All Rights Reserved

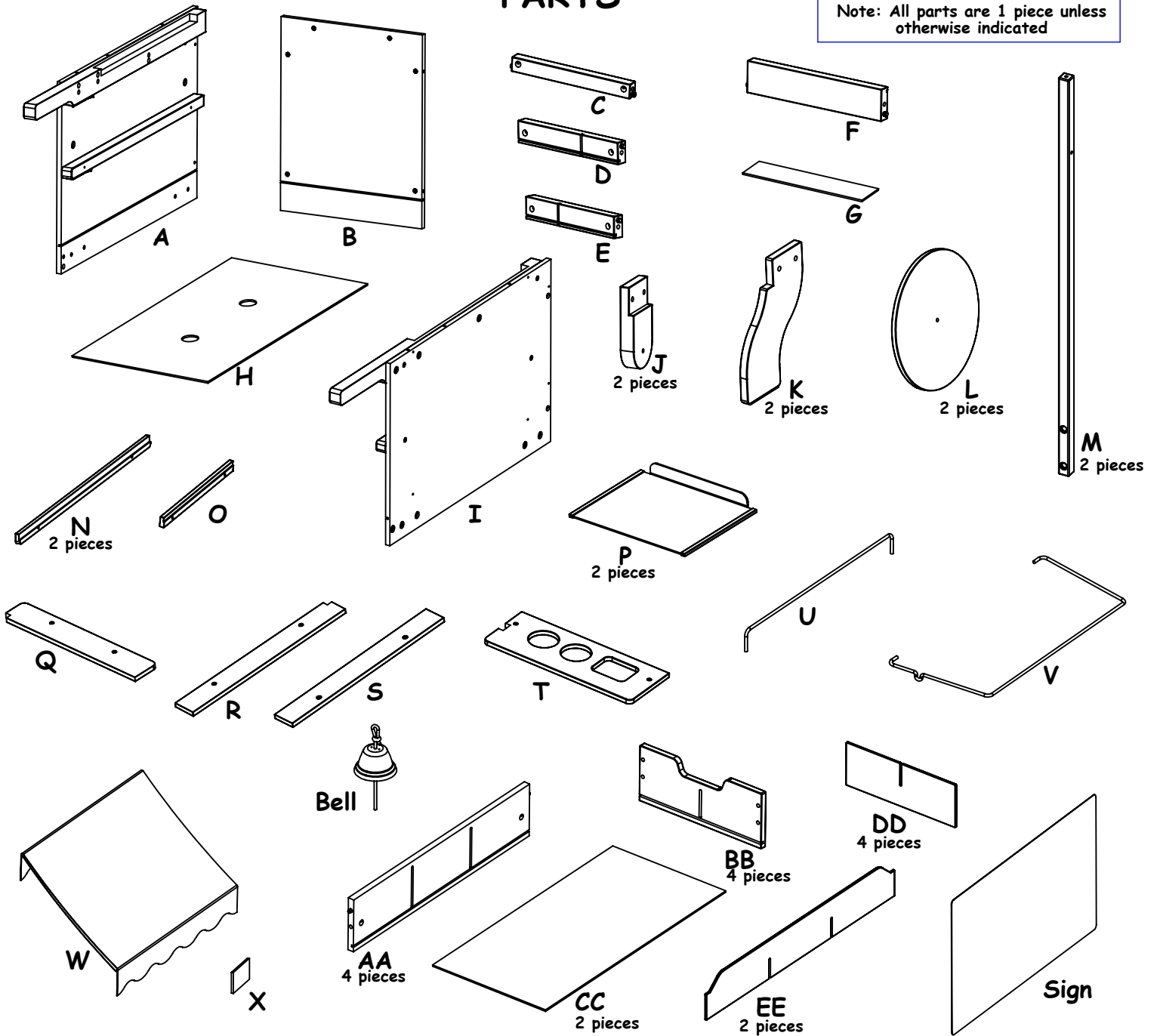
**Item # 9350**

# Snacks & Sweets Food Cart

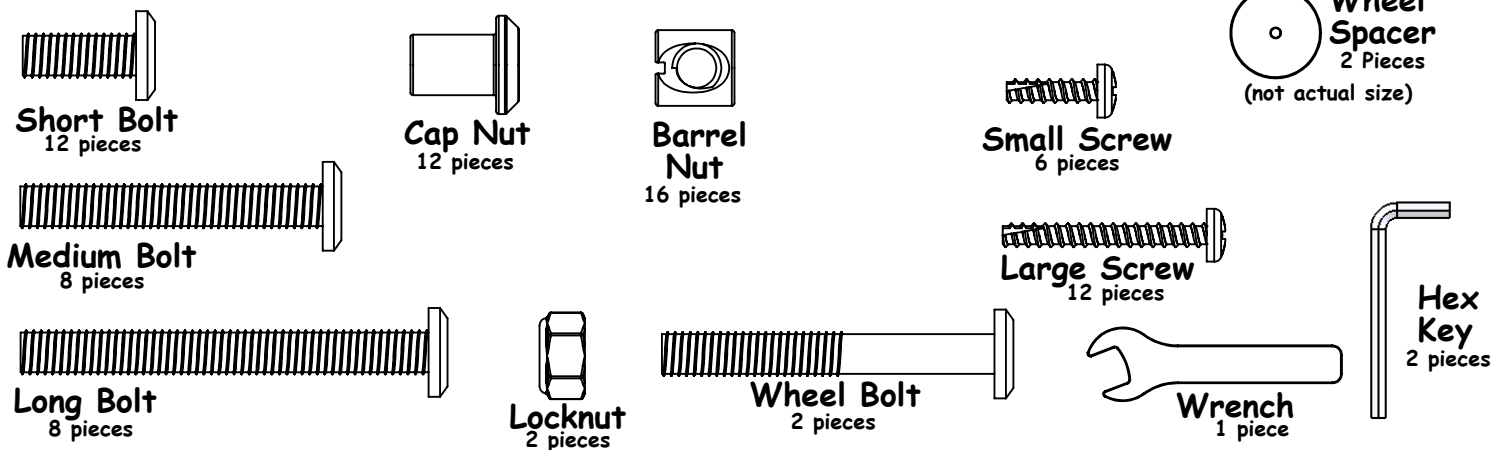
## PARTS

Melissa & Doug

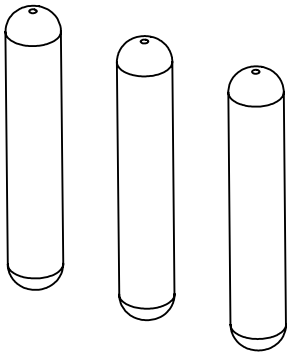
Note: All parts are 1 piece unless otherwise indicated



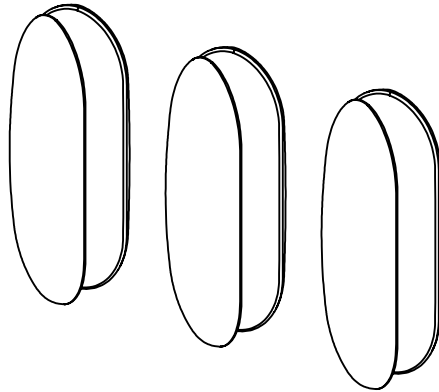
### Hardware (Shown actual size and also on each step page)



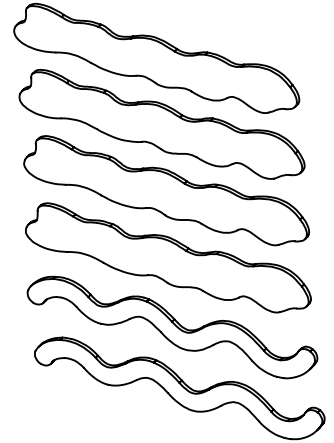
# PLAY FOOD SNACKS



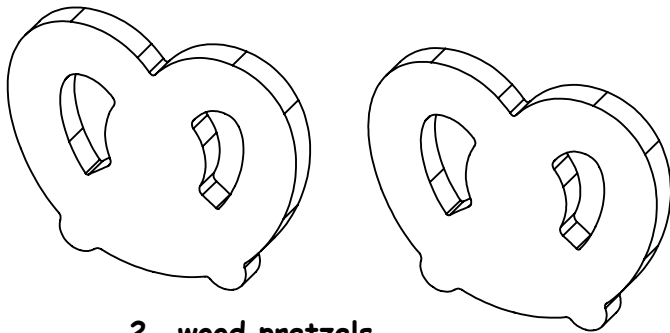
3- wood hot dogs



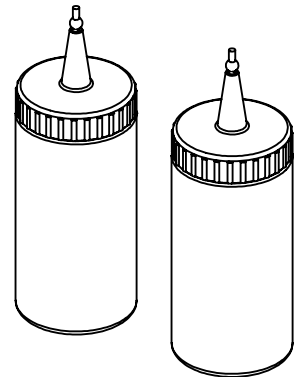
3- plush hot dog buns



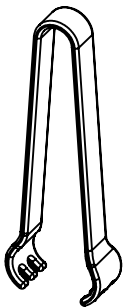
6- die-cut felt hot dog toppings



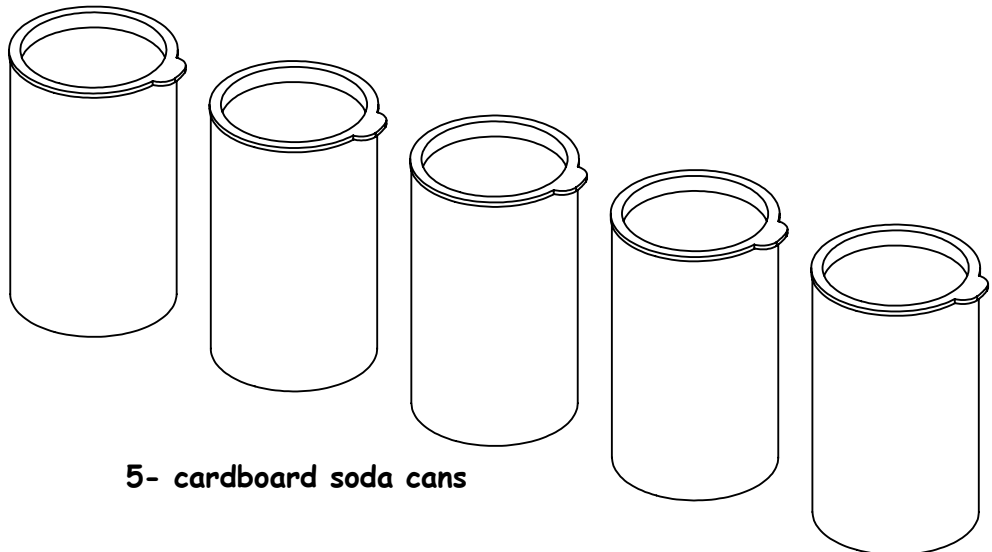
2- wood pretzels



2- plastic condiment bottles  
(1- ketchup, 1- mustard)

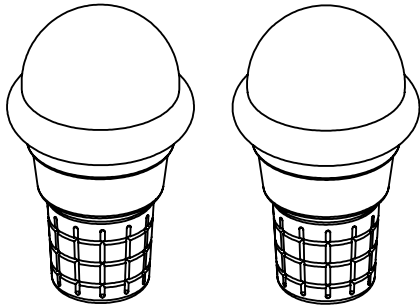


1- plastic tongs

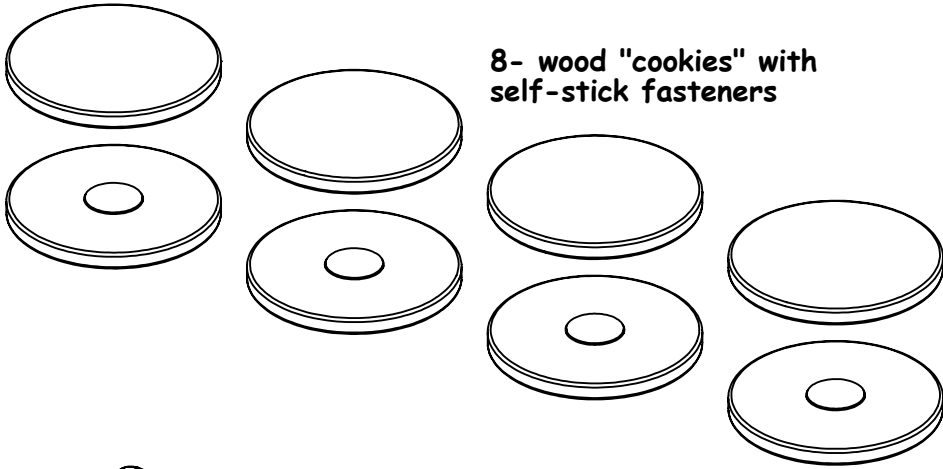


5- cardboard soda cans

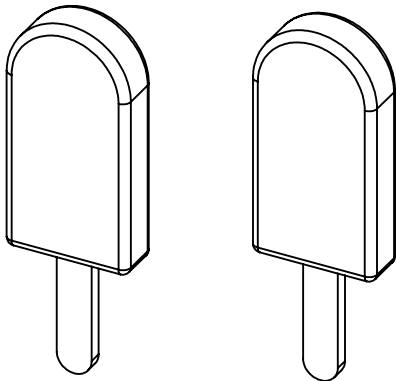
**PLAY FOOD  
SWEETS**



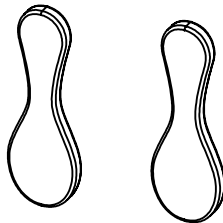
**2- wood ice cream cones**



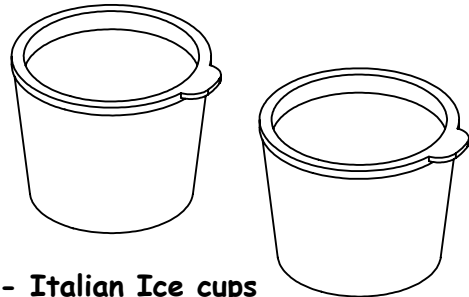
**8- wood "cookies" with  
self-stick fasteners**



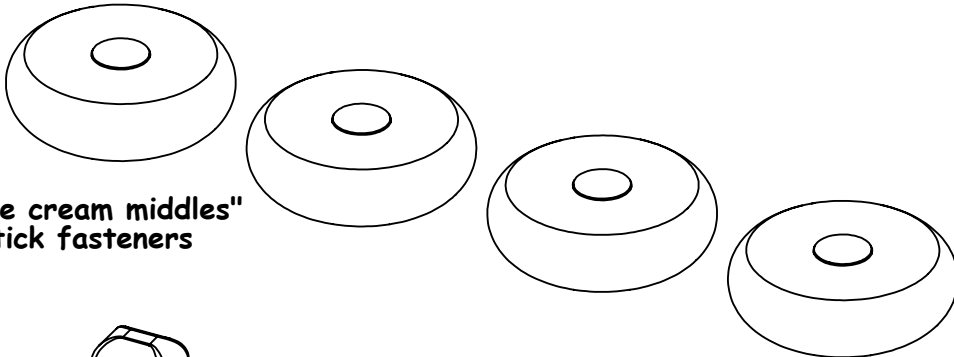
**2- wood ice cream bars**



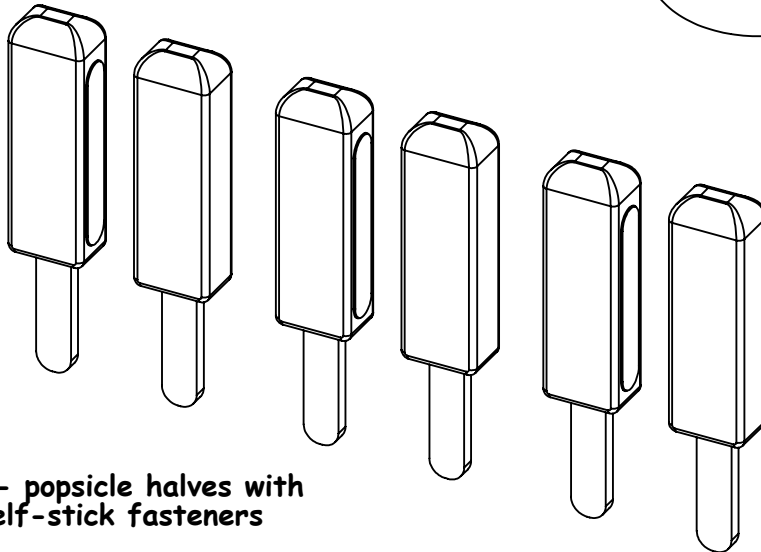
**2- wood spoons**



**2- Italian Ice cups**



**4- wood "ice cream middles"  
with self-stick fasteners**



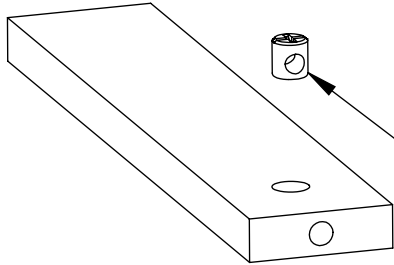
**6- popsicle halves with  
self-stick fasteners**

# Snacks & Sweets Food Cart

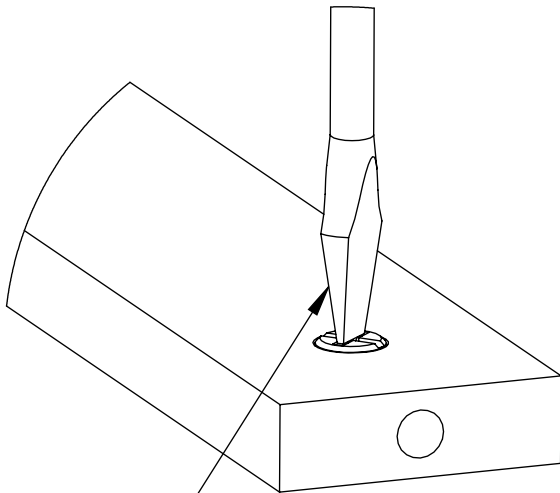


## How to correctly install Barrel Nuts

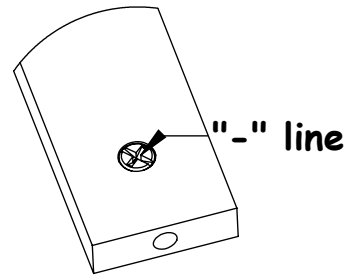
(Images on this page are for example only.)



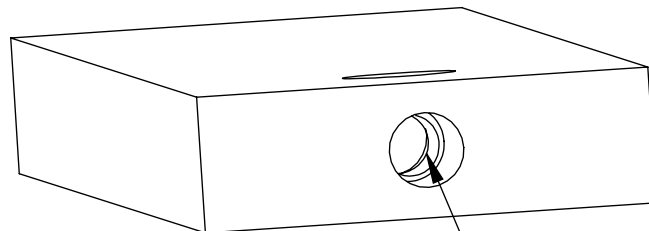
Press a Barrel Nut into the hole in the part making sure that the "-" line is pointing toward the outer screw hole.



Using a flat head screwdriver, turn the Barrel Nut until the threaded hole is facing outward to accept the screw shown below.



"-" line



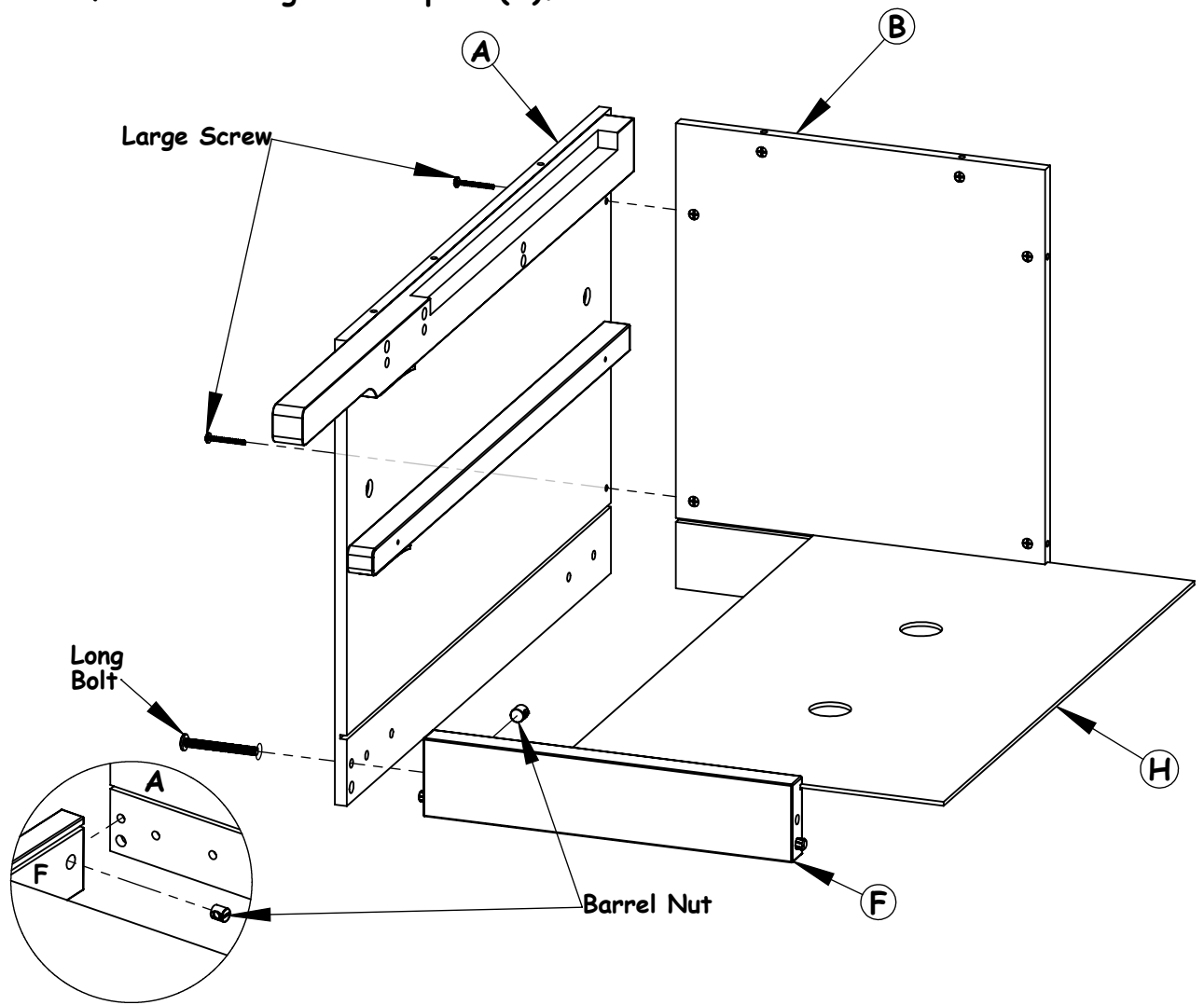
Threaded hole of the Barrel Nut

# Snacks & Sweets Food Cart



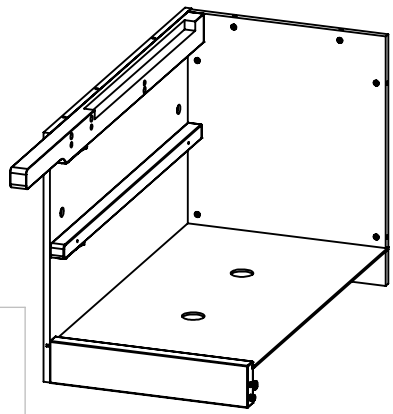
## STEP 1

Assemble parts (A) and (B) using 2 Large screws.  
Then attach part (F) with 1 Long bolt and 1 Barrel Nut.  
With the Melissa & Doug sticker facing downward, slide part (H) between (B) and (F) in the grooves until it fits into the groove in part (A).



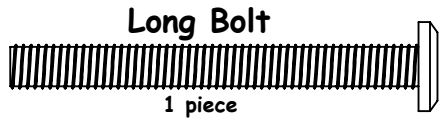
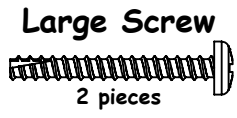
View inside showing position of Barrel Nut

Assembled view



Parts needed for this step -  
A - B - F - H

Hardware needed for this step - (shown actual size)

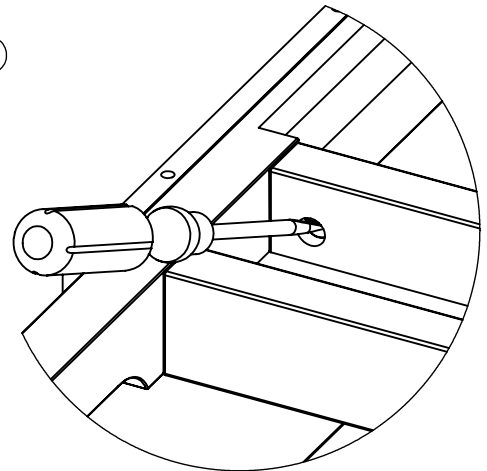
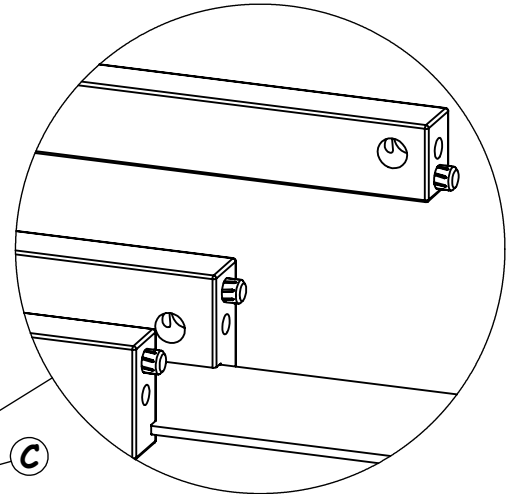
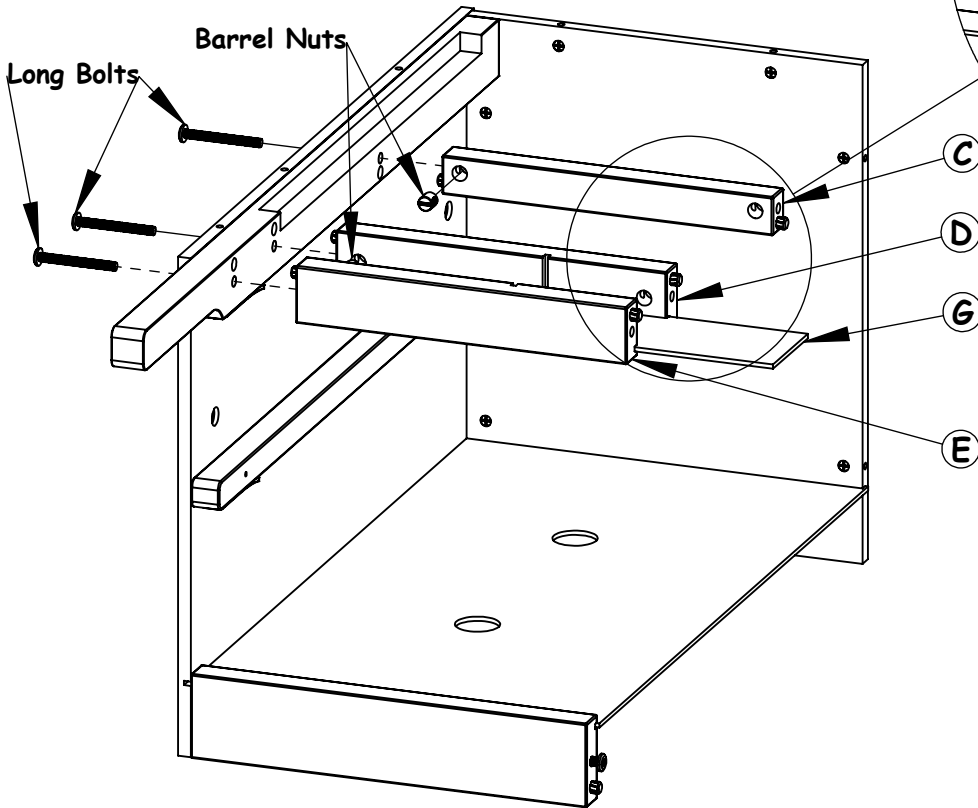


# Snacks & Sweets Food Cart



## STEP 2

Assemble parts (C), (D) and (E) as shown using 3 Long Bolts and 3 Barrel Nuts. Do not tighten (D) and (E) completely, allowing room for panel (G). Slide panel (G) in the grooves, then tighten (D) and (E).



Use a flat head screwdriver as shown to turn the Barrel Nuts to line up with the Bolts.

Parts needed for this step -  
C - D - E - G

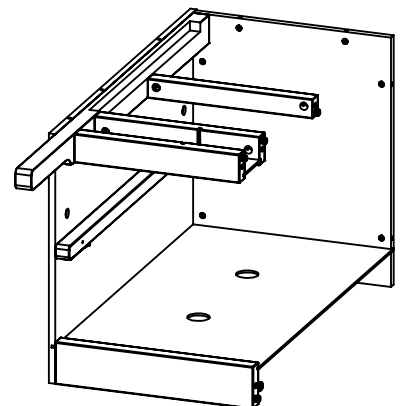
Hardware needed for this step - (shown actual size)

Long Bolt



Barrel Nut  
3 pieces

Assembled view



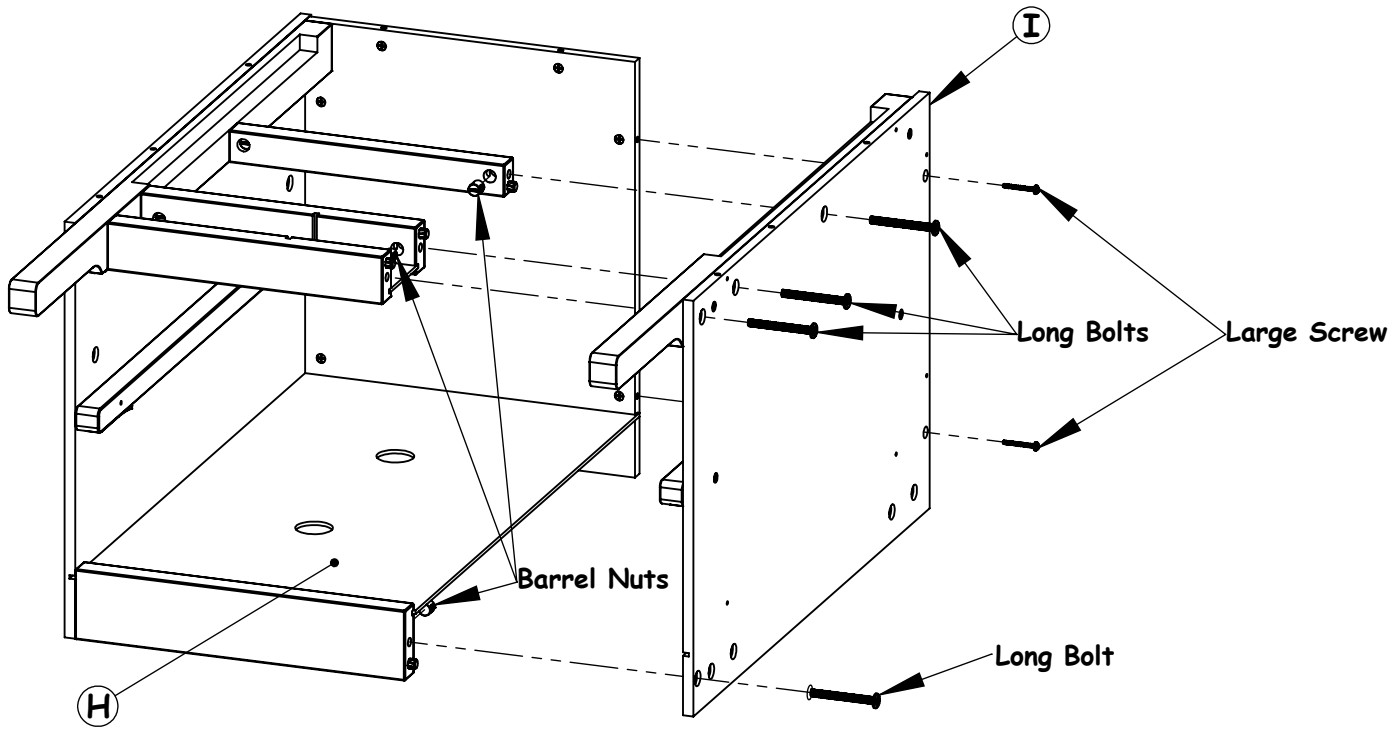
# Snacks & Sweets Food Cart



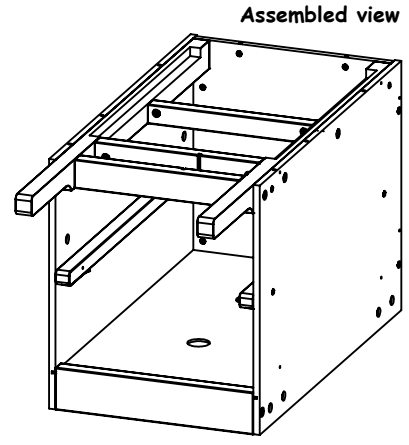
## STEP 3

Assemble panel (I) using 2 Large Screws, 4 Long Bolts and 4 Barrel Nuts. Make sure that the panel (H) fits the groove in panel (I) before tightening all the screws and bolts.

You will need to turn the cart on its side to be able to reach the Barrel Nut that is under floor (H).


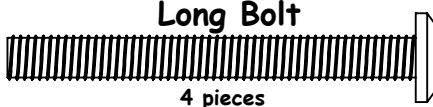



NOTE: See step 2 for the detail about lining up the Barrel Nuts with a flat head screwdriver.



Parts needed for this step -  
I

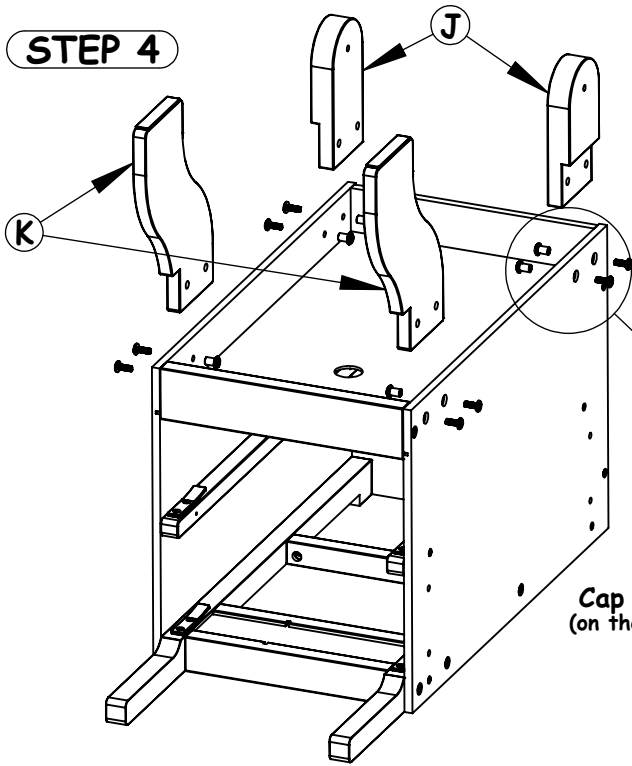
Hardware needed for this step - (shown actual size)

 Large Screw 2 pieces	 Long Bolt 4 pieces	 Barrel Nut 4 pieces
--	--	--

# Snacks & Sweets Food Cart

Melissa & Doug

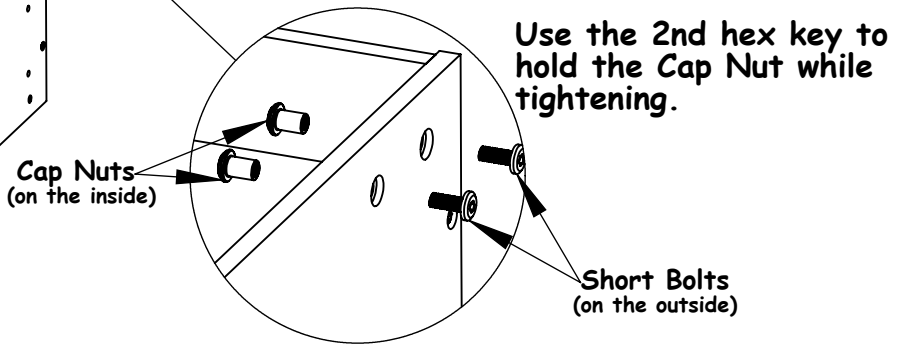
## STEP 4



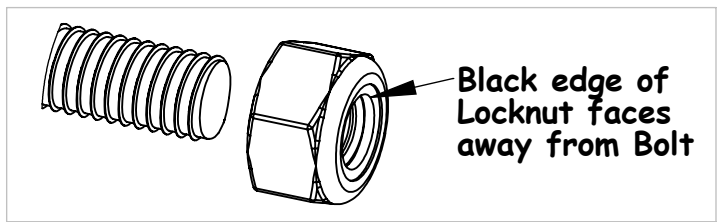
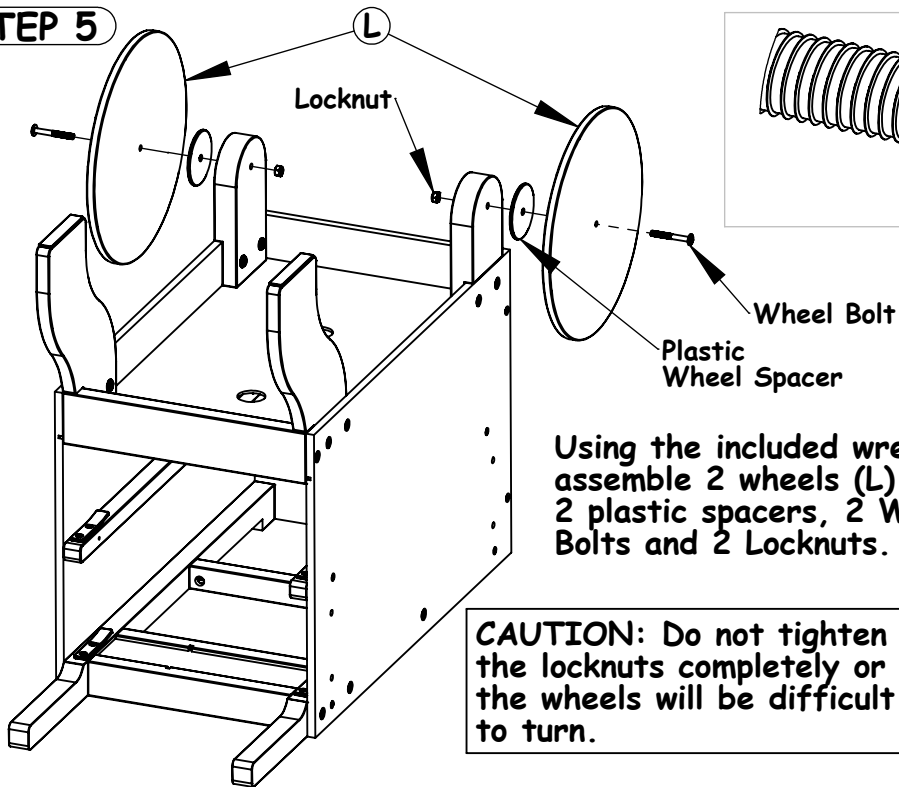
Turn the Food Cart upside down for the steps shown below.

Assemble 2 parts (J) as shown using 4 Short Bolts and 4 Cap Nuts. Do not tighten completely until all nuts have been inserted.

Attach 2 parts (K) also with 4 Short Bolts and 4 Cap Nuts. Do not tighten completely until all nuts have been inserted.

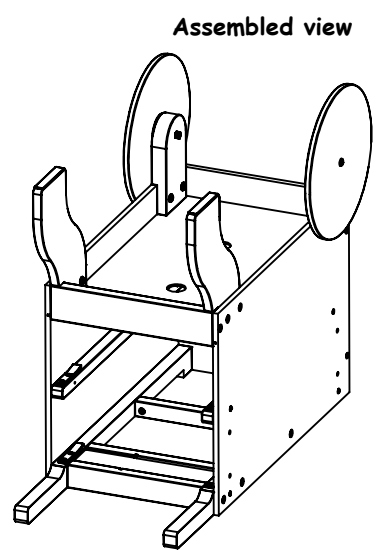


## STEP 5



Using the included wrench, assemble 2 wheels (L) using 2 plastic spacers, 2 Wheel Bolts and 2 Locknuts.

**CAUTION:** Do not tighten the locknuts completely or the wheels will be difficult to turn.

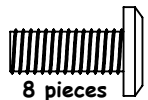


Parts needed for the above steps -

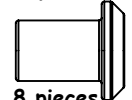
J - K - L

Hardware needed for this step - (shown actual size)

Short Bolt



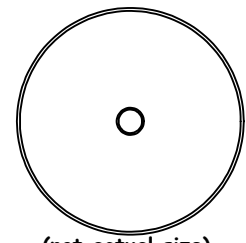
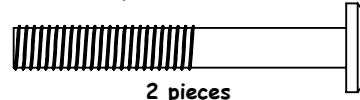
Cap Nut



Locknut  
2 pieces



Wheel Bolt



Plastic Wheel Spacer

# Snacks & Sweets Food Cart

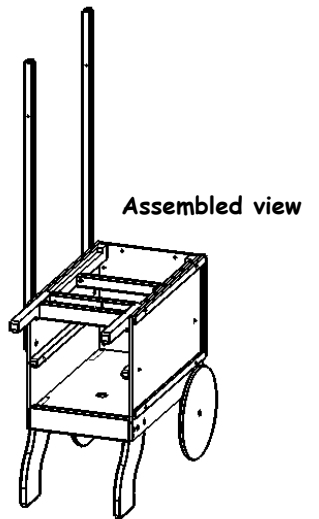
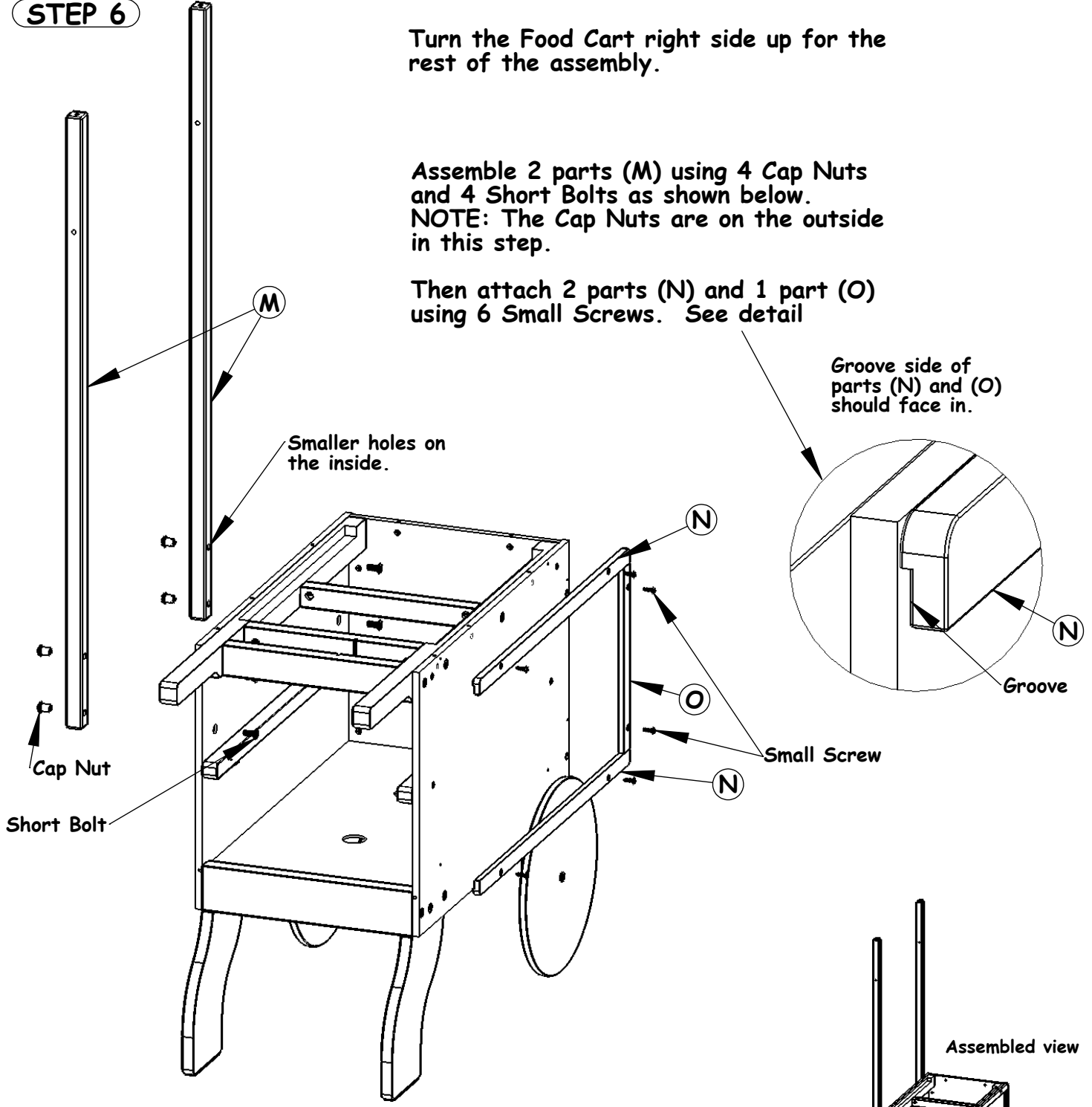


## STEP 6

Turn the Food Cart right side up for the rest of the assembly.




Assemble 2 parts (M) using 4 Cap Nuts and 4 Short Bolts as shown below.  
NOTE: The Cap Nuts are on the outside in this step.

Then attach 2 parts (N) and 1 part (O) using 6 Small Screws. See detail



**Parts needed for this step -**  
M - N - O

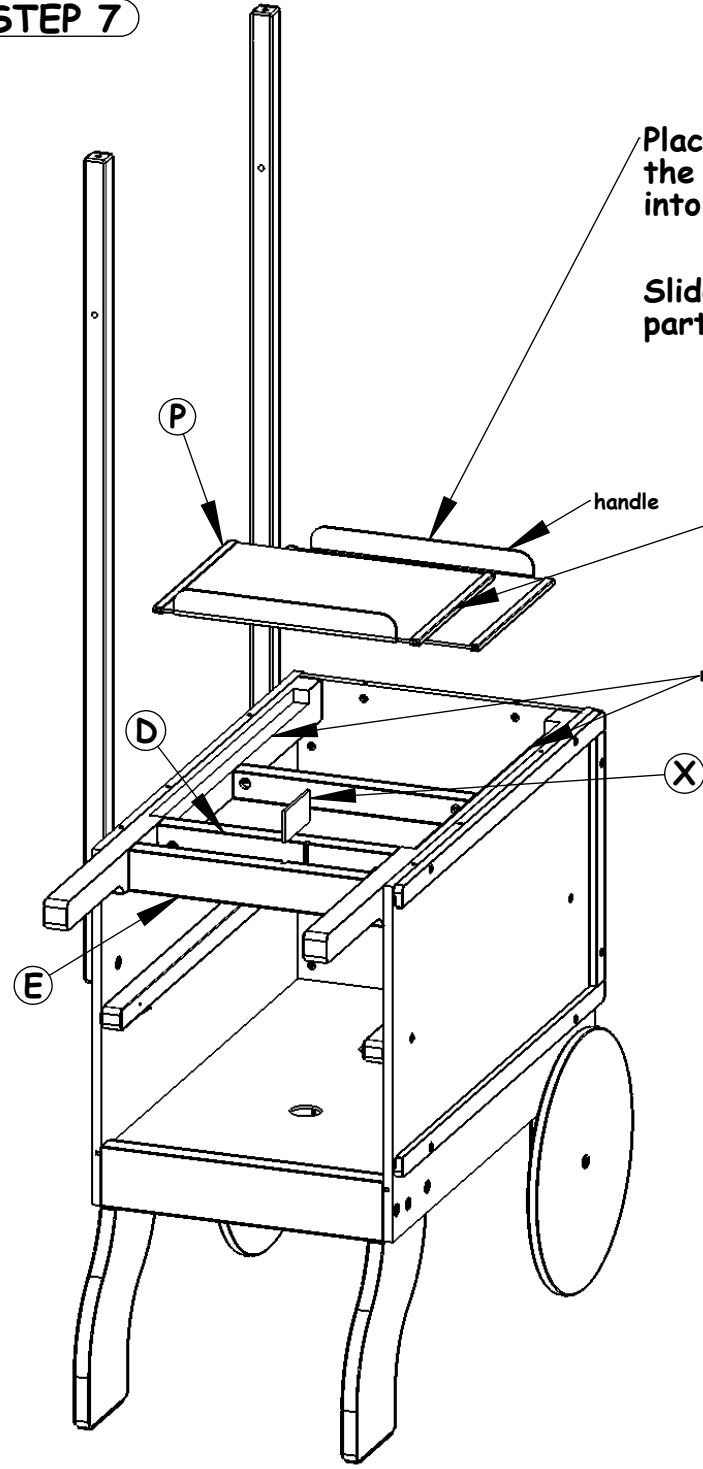
**Hardware needed for this step - (shown actual size)**

<b>Short Bolt</b>	<b>Cap Nut</b>	<b>Small Screw</b>
		
4 pieces	4 pieces	6 pieces

# Snacks & Sweets Food Cart



## STEP 7

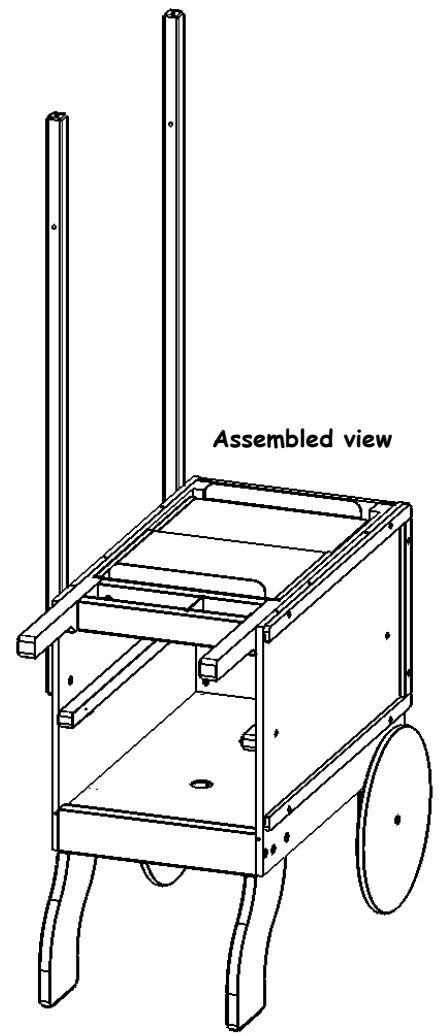


Place one part (P) with the handle towards the front of the cart first as shown here, into the recesses of the side panels.

Slide part (X) into the grooves between parts (D) and (E).

Place the second part (P) with the handle towards the rear of the cart.

Assembled view



Parts needed for this step -  
P - X

# Snacks & Sweets Food Cart

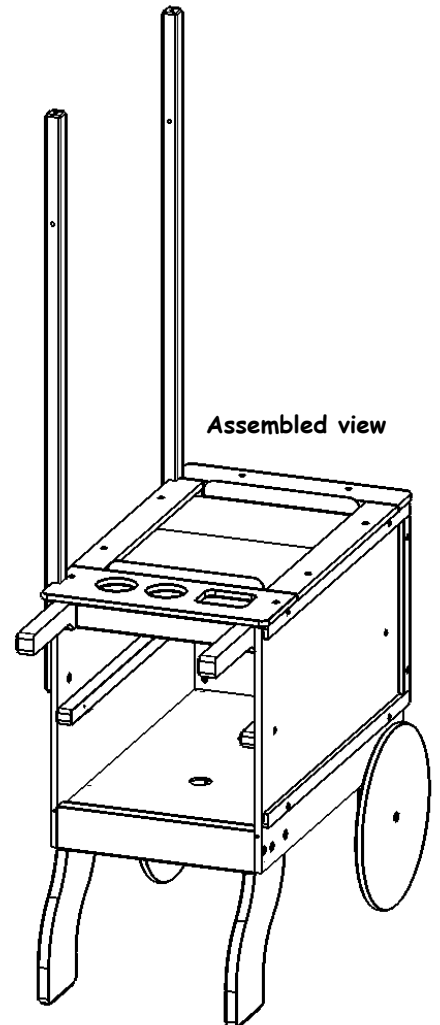
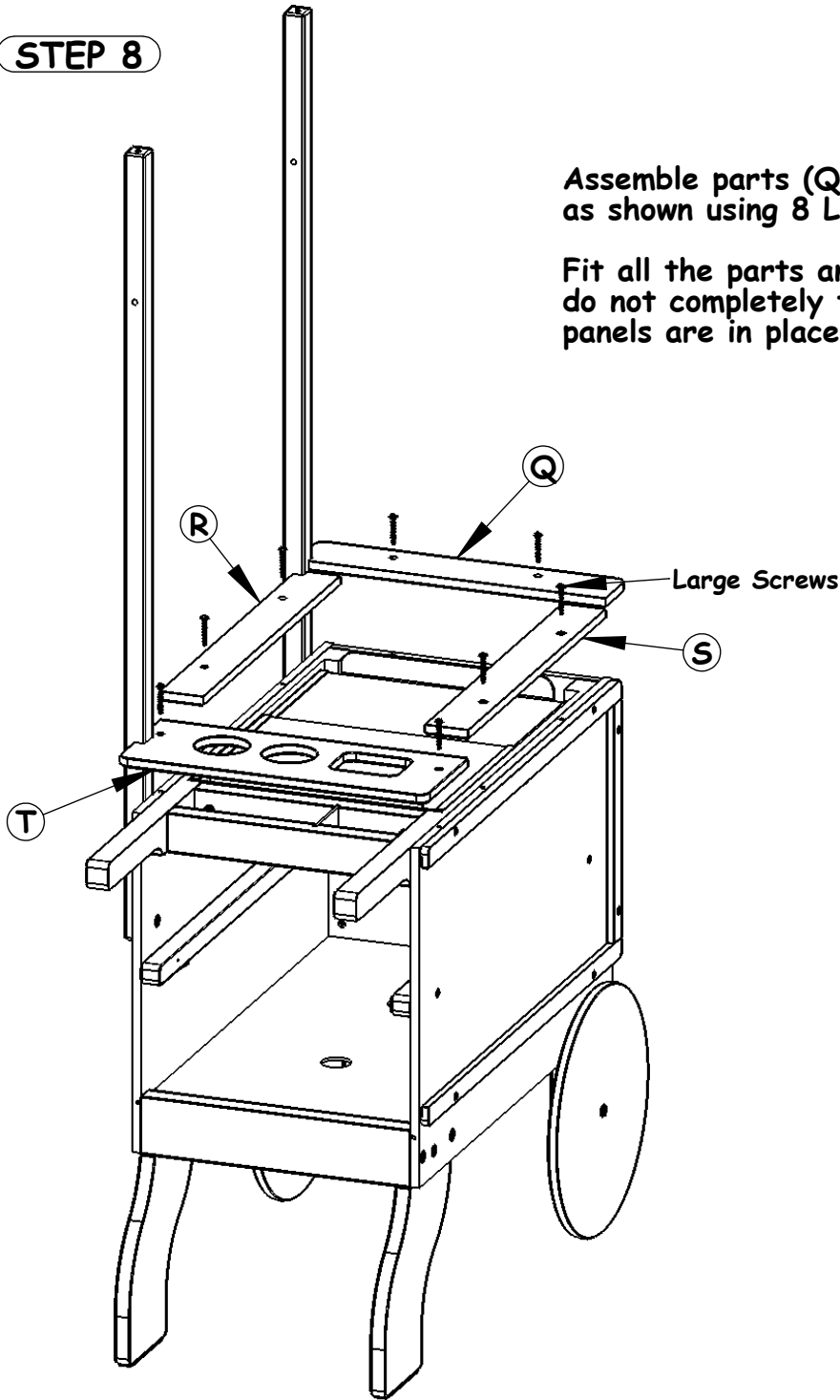


## STEP 8

Assemble parts (Q), (R), (S) and (T) as shown using 8 Large Screws.

Fit all the parts and add the screws but do not completely tighten until all the panels are in place.

Note: Large holes face up on all these parts.



Parts needed for this step -

Q - R - S - T

Hardware needed for this step -

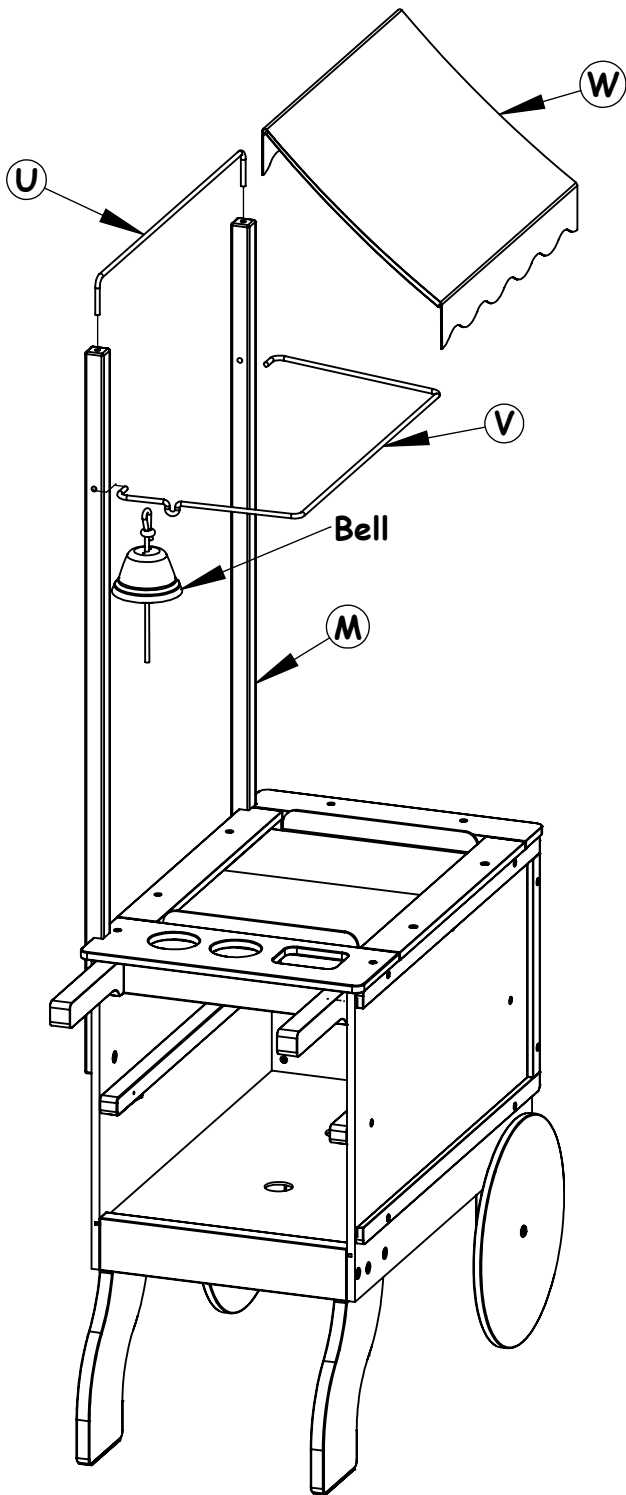
(shown actual size)



# Snacks & Sweets Food Cart



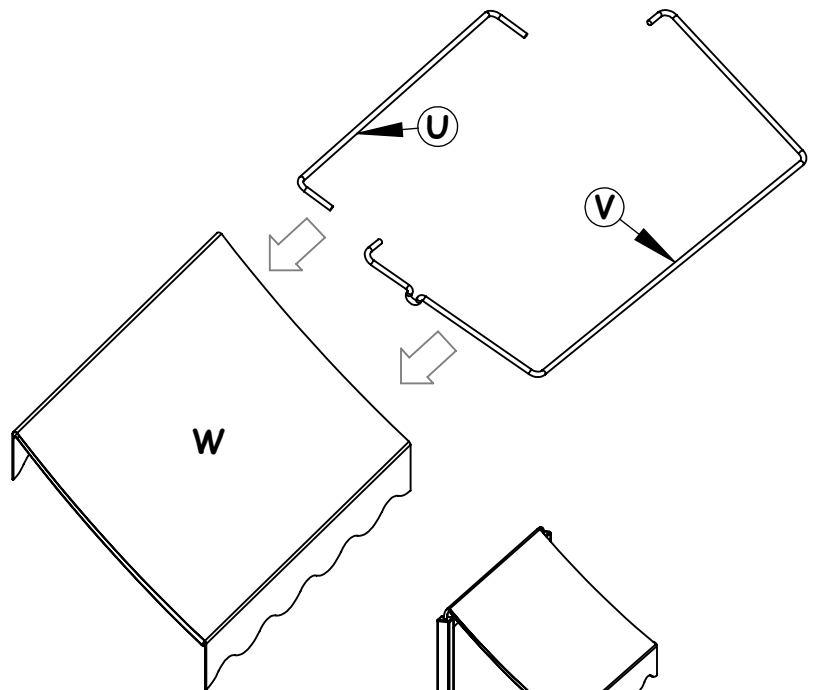
## STEP 9



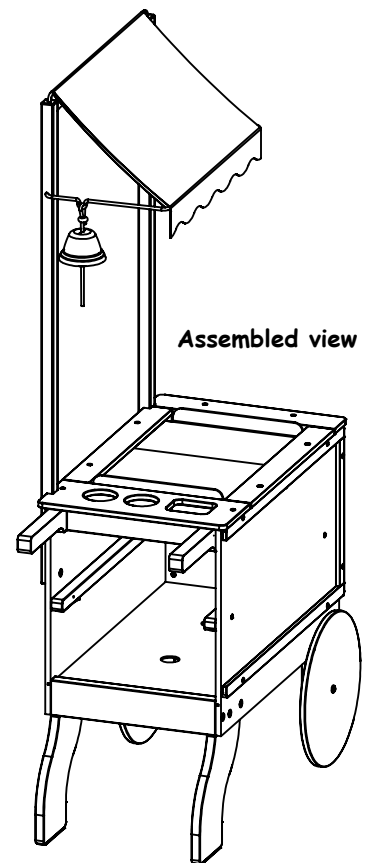
Slip wire (U) and (V) between 2 of the layers of part (W). Then push the ends of part (U) into the holes at the top of parts (M).

Part (V) snaps into the side holes in part (M).

Make sure to hang the Bell on the part (V) before snapping into the side holes in (M).



Note: After assembly, the Awning (W) can be easily changed from Snacks to Sweets by holding the sides of the awning and pulling forward, which will rotate the view.

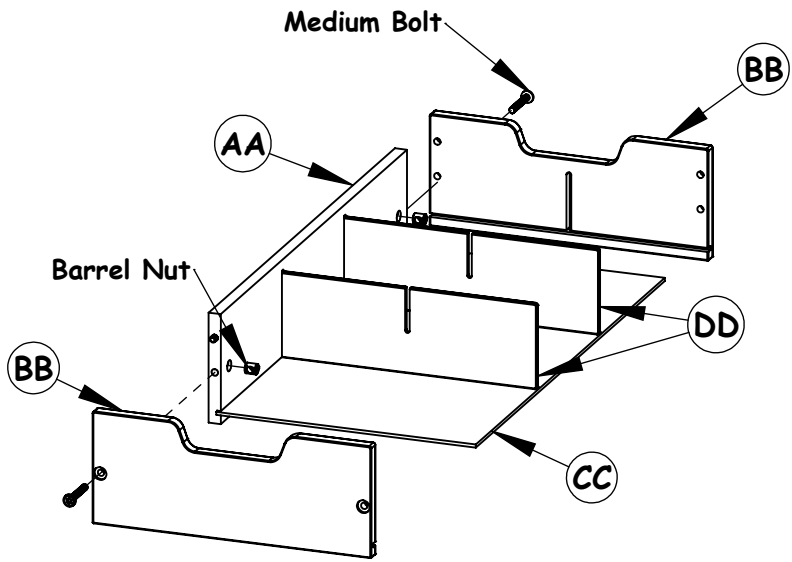


Parts needed for this step -  
U - V - W - Bell

# Snacks & Sweets Food Cart



## STEP 10



Assemble one part (BB) to part (AA) using a Medium Bolt and Barrel Nut. Repeat for the opposite part (BB).

**DO NOT TIGHTEN THE BOLTS YET!**

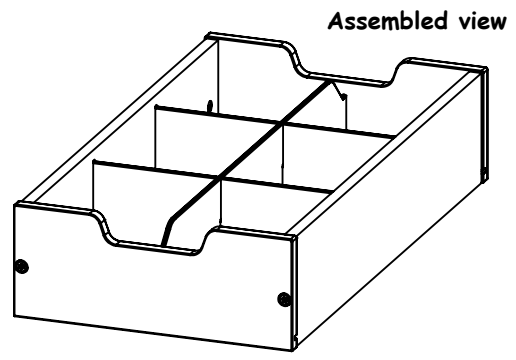
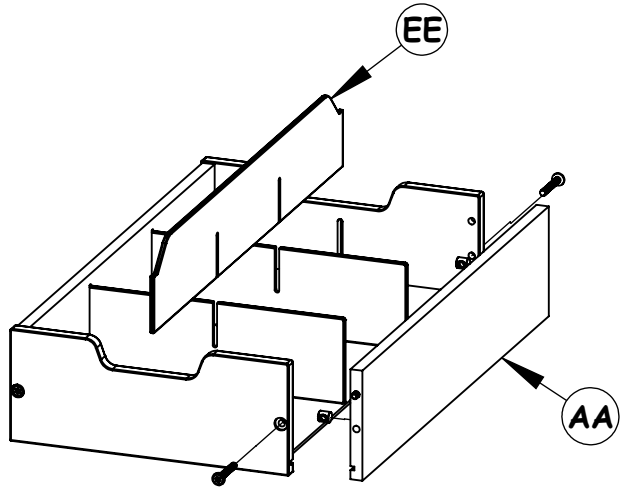
Slip in floor (CC) between the grooves in both parts (BB) and fit into part (AA).

Place 2 parts (DD) into the vertical grooves in part (AA).

Spreading the ends (BB) very gently, fit part (EE) into the end grooves in parts (BB) and into the slots in parts (DD).

Next, attach the second part (AA) using 2 Medium Bolts and 2 Barrel Nuts. Tighten all Bolts now.

**NOTE: The above builds ONE drawer. Repeat all steps for the second drawer.**



Parts needed for this step -  
AA - BB - CC - DD - EE

Hardware needed for this step - (shown actual size)

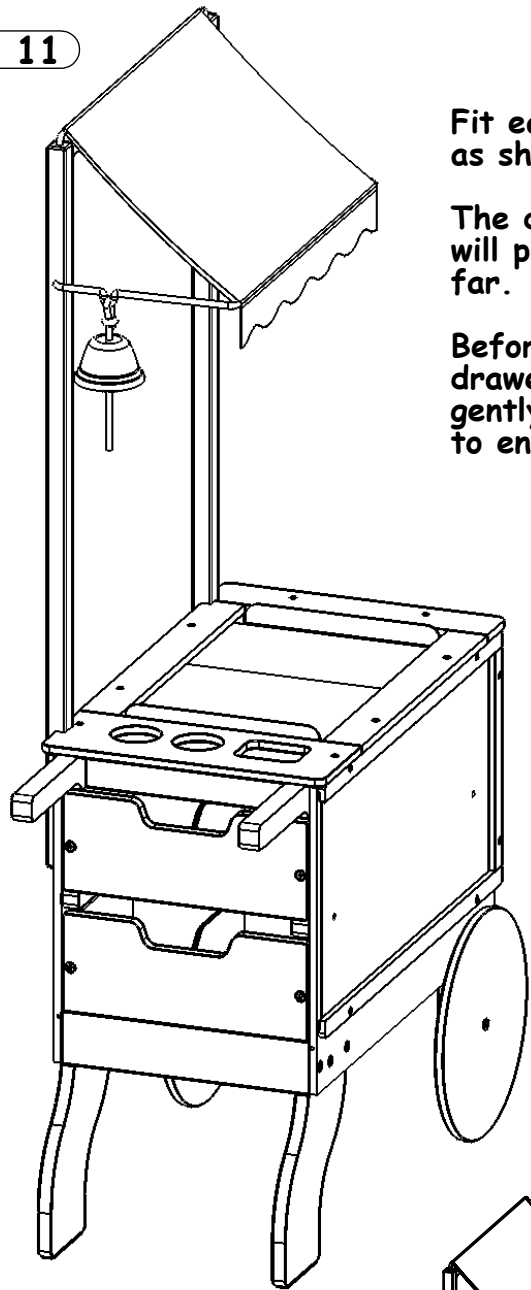
Medium Bolt  
4 pieces

Barrel Nuts  
4 pieces

# Snacks & Sweets Food Cart



## STEP 11

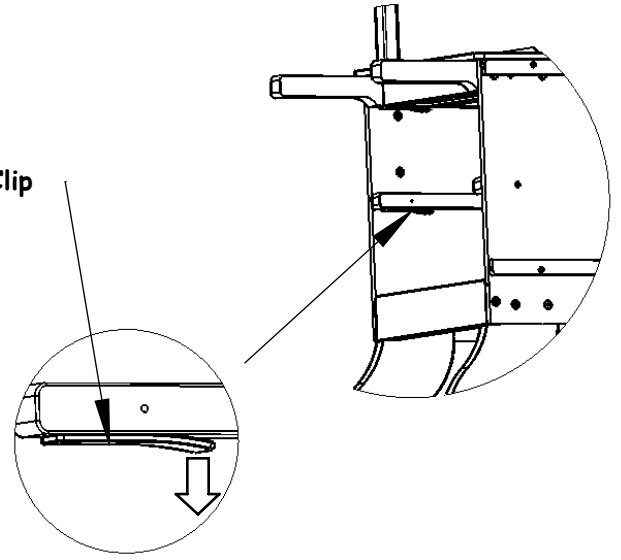


Fit each drawer into the rear end of your Food Cart as shown here.

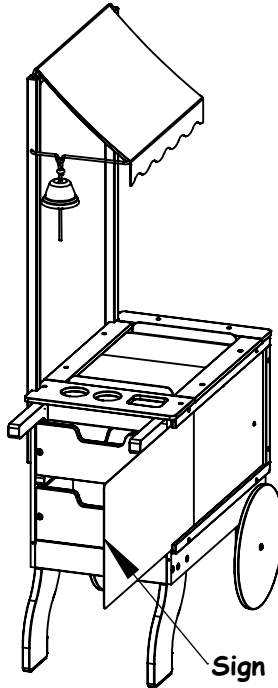
The drawers will "snap" in past a safety clip that will prevent the drawers from being pulled out too far.

Before giving the toy to your child, check that drawers will not fall out when pulled. If necessary, gently pull down safety clips on both sides just enough to ensure a secure fit.

Safety Clip



Slide the Sign into the side frame as shown. You can flip the sign to show either Snacks or Sweets.



Fill the drawers with all the Snacks and Sweets that came with your Food Cart and you are ready to play!