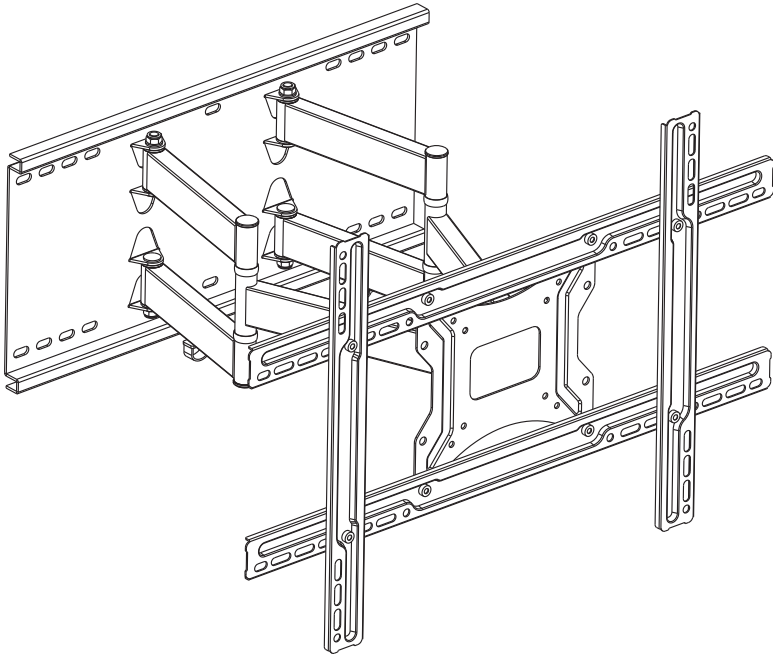




PERLESMITH

INSTALLATION INSTRUCTION

V2.0



PSLF2

supportus@perlesmith.com

Thank you for choosing our product! We strive to provide the best quality and services for our customers. Would you kindly share your experience on Amazon if you are satisfied? Should you have any issues, please don't hesitate to contact us.
Telephone: 800-5566-806 Mon-Fri 10am - 6pm (PST) (USA)
Email: supportus@perlesmith.com (US/CA/DE/UK/FR/IT/ES/JP/AU)

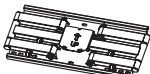


US WARNING!

Safety Warning: Thank you for choosing Perlesmith TV mount. For safe application of model FSLF2, and preventing yourself or others from danger or property loss, please read through this manual before use. If you do not understand these instructions or have any doubt over safety of installation, please contact qualified contractor or Perlesmith customer service. Please check carefully before assembly to ensure no parts missed or damaged. Our customer service representative will assist you timely in installation to solve the issue of parts shortage or damage. Replacement parts purchased through authorized distributor will be delivered to your door. Please do not use defective parts. Incorrect installation may result in product damage or body injury. Do not apply this product to any purpose not indicated by Perlesmith. We shall bear no responsibility for any damage or injury resulted from incorrect installation, incorrect assembly or misuse.

Supplied Parts List

Attention: For parts shortage or damage, please contact us directly by supportus@perlesmith.com. New delivery will be timely arranged to replace missed or defective parts.



Wall Plate with Arm
a (x1)



VESA 200 Plate
b (x1)



M6 Wrench
c (x1)



M4x12 Bolt
d (x4)



M4x30 Bolt
e (x4)



M6x20 Bolt
f (x4)



M6x35 Bolt
g (x4)



M8x20 Bolt
h (x4)



M8x45 Bolt
i (x4)



M4 Washer
j (x4)



M6 Washer
k (x4)



M8 Washer
l (x10)



M4 Spacer
m (x4)



M6/M8 Spacer
n (x8)



Cushioned Nut
o (x3)



Plastic Washer
p (x3)



M8x90 Lag Bolt
q (x6)



M10x80 Concrete
r (x6)



Horizontal Bars
A (x2)



Vertical Bars
B (x2)



M6x8 Bolt
C (x8)

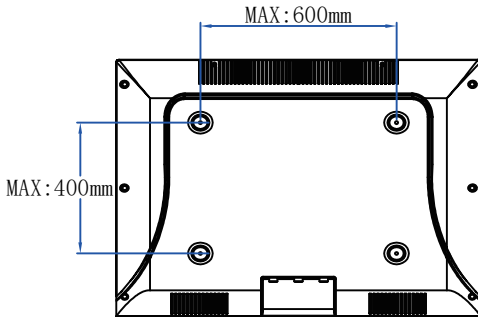


M6 Washer
D (x8)

Not Included	<ul style="list-style-type: none"> ■ 4mm Drill Bit ■ Phillips Screwdriver 	<ul style="list-style-type: none"> ■ 10mm Masonry Bit ■ Carpenter's Level
---------------------	---	---

Before getting started, let's make sure this mount is perfect for you!

1. Is your TV VESA equal to/greater than 100x100mm and equal to/less than 600x400mm?



Yes --- Perfect!

No --- This mount is **NOT** compatible.

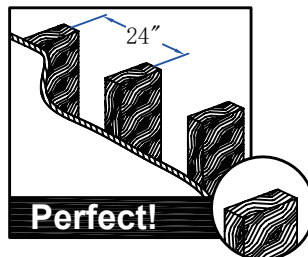
2. Does your TV (including accessories) weigh more than 132 lbs (60kg)?



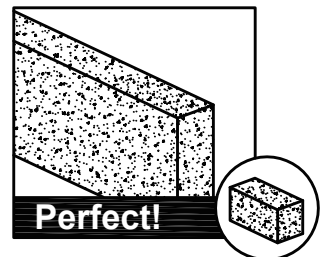
NO --- Perfect!

Yes --- This mount is **NOT** compatible.

3. What is your wall made of?



Drywall with **wood** studs?



Solid concrete wall?

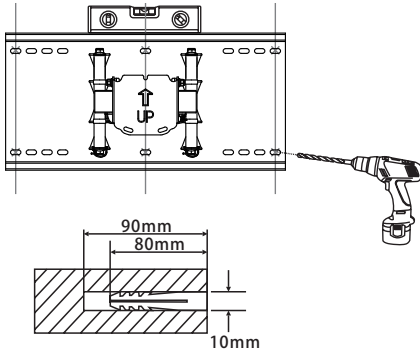
If this mount is **NOT** compatible, please contact supportus@perlesmith.com to find a compatible mount.

Step 1

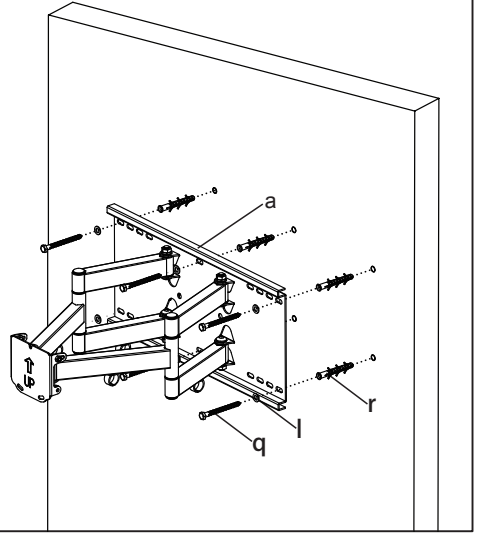
Mounting the Wall Plate to the Wall

Brick or Concrete Wall

1.1

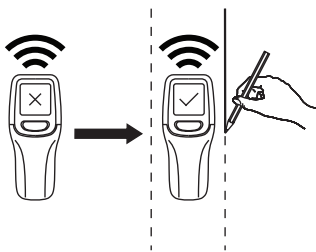


1.2

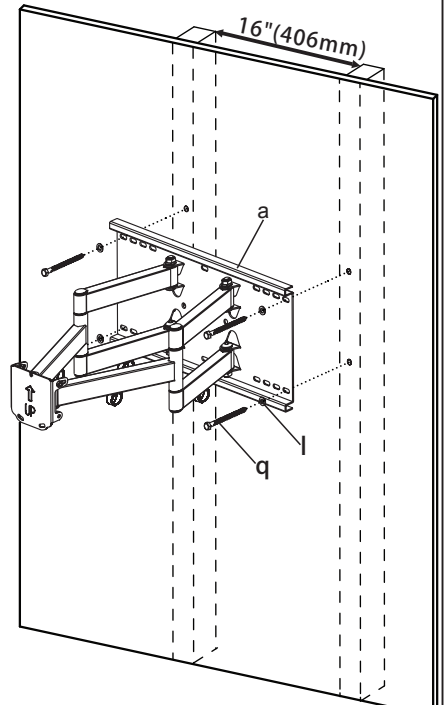


Wood Studs Wall

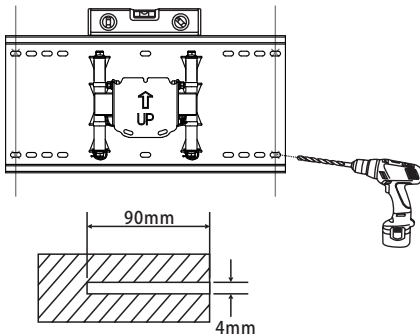
1.1



1.3



1.2

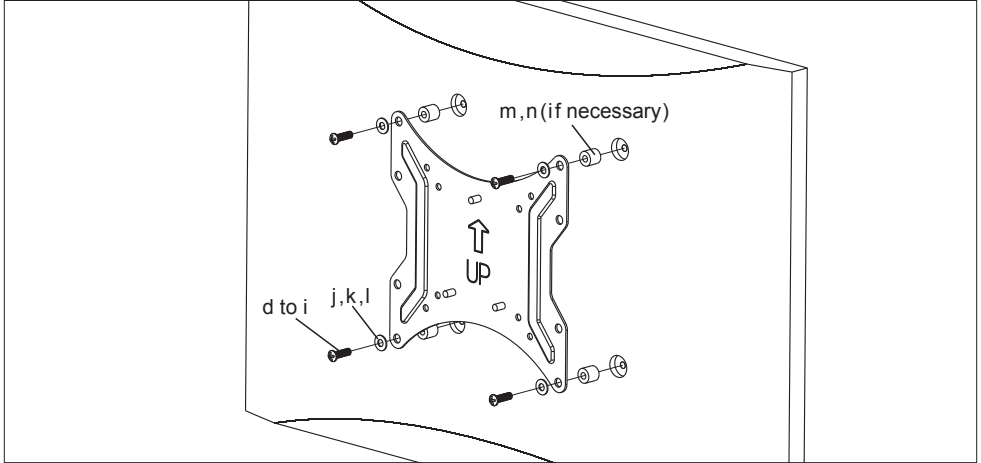


Step 2

Install VESA Plate to the Back of TV

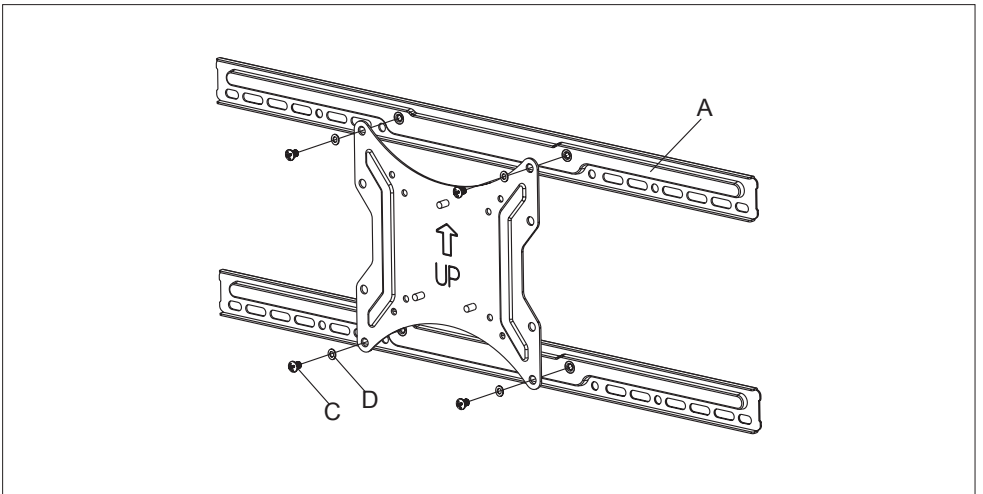
Option A: Mounting instructions for VESA 100 x 100, 200 x 100, 200 x 200

Attach TV Plate (b) to Mounting Holes on TV using appropriate TV Bolts and TV Washers. Use TV Spacers if necessary.



Option B: Mounting instructions for VESA 400 x 200

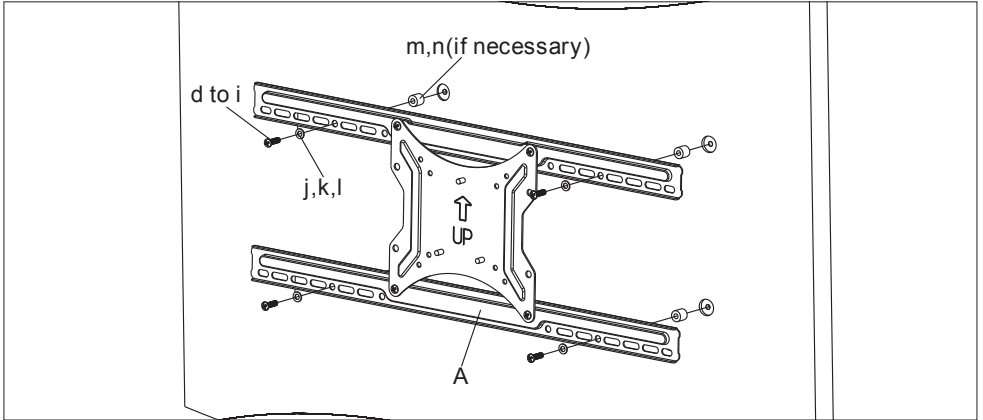
1. Attach TV Plate (b) to Horizontal Bars (A), using Bar Bolts (C) and Bar Washers (D).



Step 2

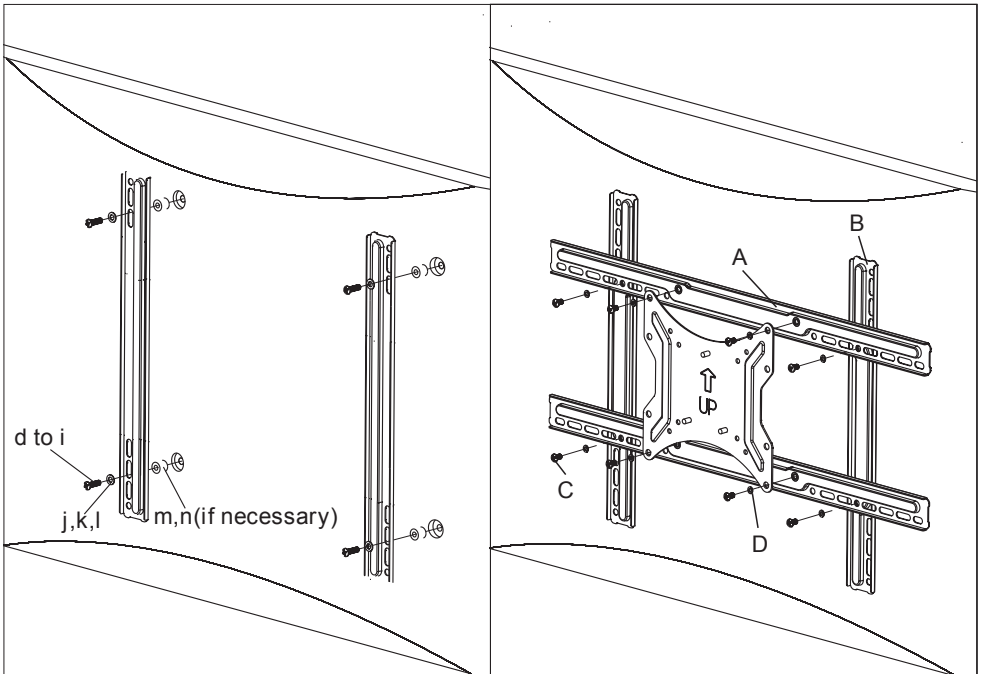
Install VESA Plate to the Back of TV

2. Attach Horizontal Bars to Mounting Holes on TV using appropriate TV Bolts and TV Washers. Use TV Spacers if necessary.

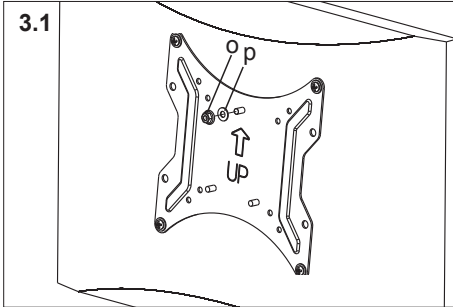


Option C: Mounting instructions for VESA 300 x 300, 400 x 400, 600 x 400

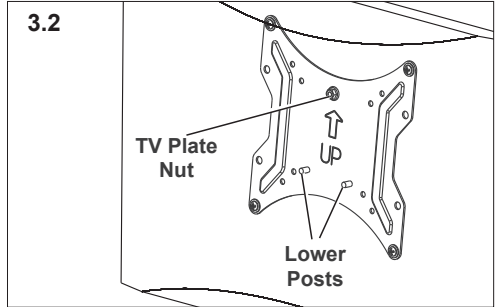
1. Attach Vertical Bars (B) to Mounting Holes on TV using appropriate TV Bolts and TV Washers. Use TV Spacers if necessary.
2. Attach Horizontal Bars (A) to Vertical Bars, using Bar Bolts (C) and Bar Washers (D).
3. Attach TV Plate (b) to Horizontal Bars, using Bar Bolts (C) and Bar Washers (D).



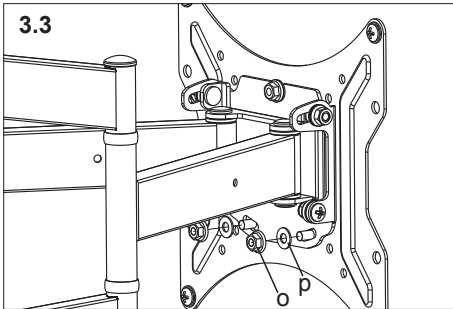
Step 3 Mounting the TV to the Wall Plate



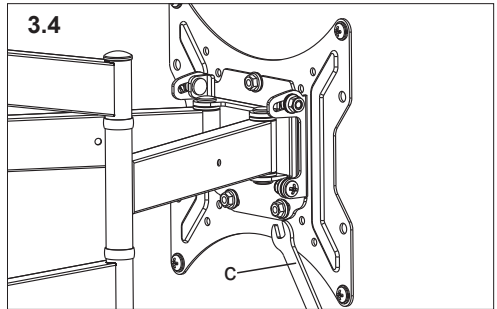
3.1 1. Attach TV Plate Washer (p) and Nut (o) to Upper Post using included Wrench. Do not tighten Nut.



3.2 2. Using an assistant, lift TV, slide TV Plate Nut over Notch on TV Mount and route Lower Posts through Lower Post Holes.

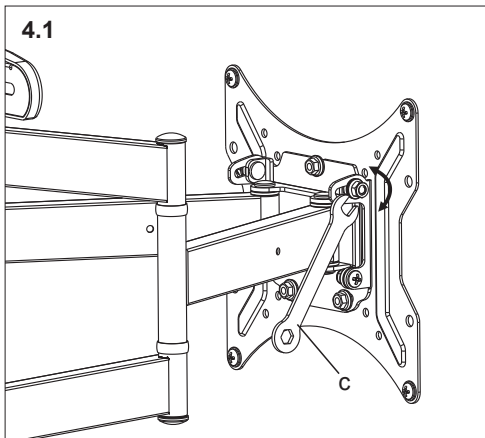


3.3 3. Attach TV Plate Washers (p) and Nuts (o) to Lower Posts using included Wrench. Do not tighten Nuts.



3.4 4. Level TV, then tighten Nuts on Upper and Lower Posts securely.

Step 4 Final Installation

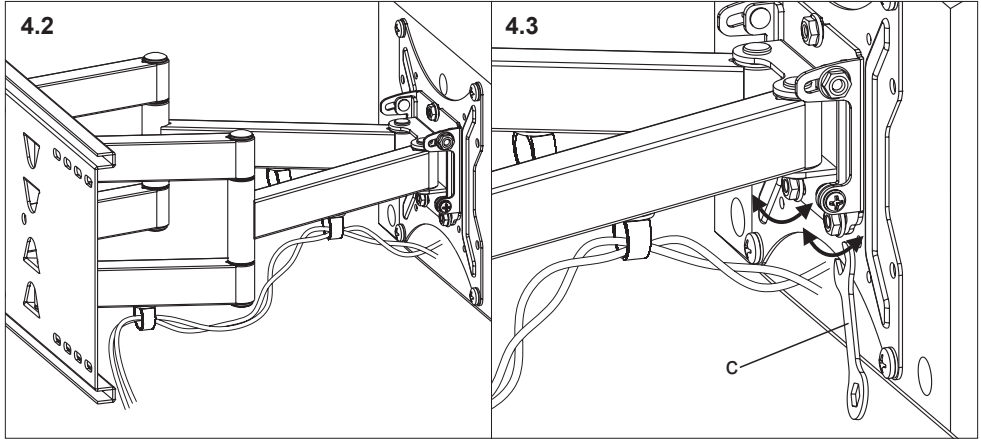


Adjust Tilt if desired:

- Loosen Tilt Adjustment Nuts on Wall Mount (behind TV Plate) with included Wrench.
- Adjust tilt.
- Tighten Tilt Adjustment Nuts.

Step 4

Final Installation



Route TV wires through clips.

Level adjustment

Step 5

All Done

