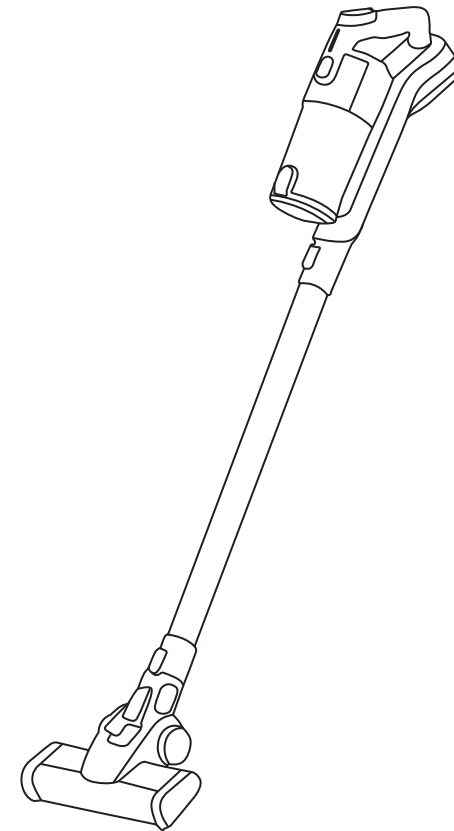


USER MANUAL

Cordless Vacuum Cleaner



Thank you for purchasing Aiper Cordless Vacuum Cleaner. If you have any questions or issues, please contact our customer services team for further assistance.

Free Call: US(877)756-8666 Mon-Fri: 9AM-5PM (PST)

Email: service@aipervip.com

Table of Contents

Safety Instruction 1

Product Part 2

Product Operation 4

How to Charge 6

Cleaning and Maintenance 6

Specification 8

Troubleshooting 9

Warranty 9

important Safety Instruction

Please read and follow the safety instructions and precautions carefully before using the product.

WARNING

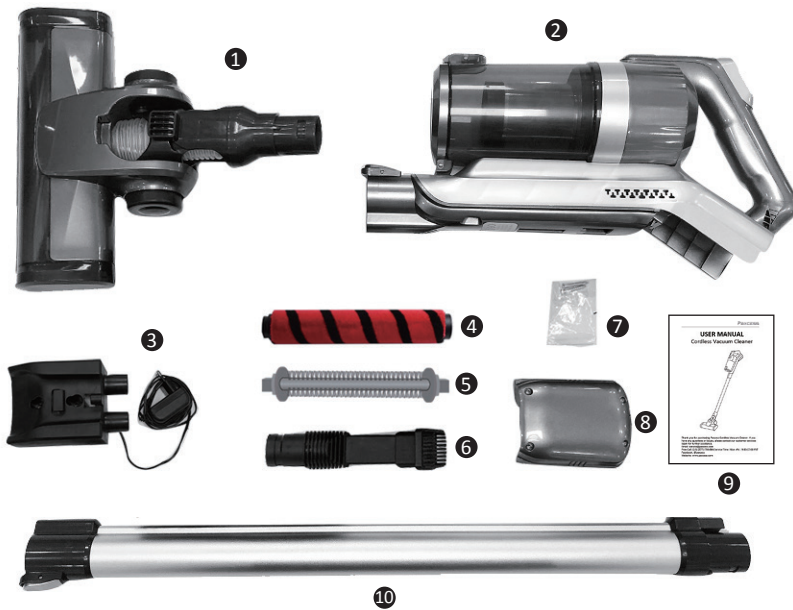
These warnings apply to the machine, and also where applicable, to all tools, accessories, chargers or main adapters.

1. This product is not intended for use by persons (including children) with reduced physical, sensory or reasoning capabilities, or lack of experience and knowledge, unless they have been given supervision or instruction concerning use of the machine by a person responsible for their safety.
2. Children should not play with the product. Close supervision is necessary when it is used by or near children. Cleaning and user maintenance should be undertaken by children without supervision.
3. Take care when the product is used near pets.
4. Check if the voltage of the main circuit corresponds with the rating of the product before operating.
5. Stop using the product immediately if the supply cord or product is damaged and contact with the customer service for help.
6. Do not let the cord hang over the edge of a table or counter or let it come into contact with any heated surfaces.
7. Do not carry the product by the power cord.
8. Do not use any extension cord with this product.
9. Do not pull the plug out by the cord as this may damage the plug or the cable.
10. Switch off and unplug before fitting or removing tools/ attachments after use and before cleaning.
11. Do not immerse cords, plugs or any part of the appliance in water or any other liquid.
12. Do not close doors on the cord or move the product by pulling the cord around sharp edges or corners.
13. Use the product for household only.
14. Do not use the product outdoors or on wet surfaces.
15. Use extra care when cleaning on stairs.
16. Keep hair, loose clothing, fingers and all parts of body away from moving parts.
17. Do not vacuum water, liquids or other sharp objects like nails or drawing pins.
18. Do not pick up any objects which are smoking or burning, such as matches, cigarettes or hot ashes.
19. Use only aiper provided or recommended accessories and replacement parts.
20. Do not place this product on or near a cooker or any other hot surface and do not incinerate this product even if it is severely damaged. The battery might catch fire or explode.

Product Part

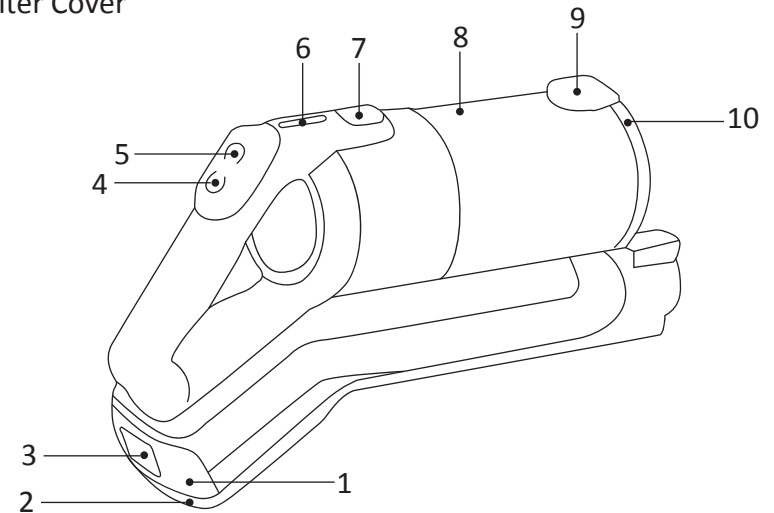
Package List

NO.	Description	Q'ty
1	Motorized Floor Nozzle	1
2	Hand Vacuum	1
3	wall mounting with adaptor	1
4	Roller Brush	1
5	Hard Bristle Roller Bar	1
6	2in1 Nozzle	1
7	Screw	1
8	Battery Pack	1
9	User Manual	1
10	Wand	1



10

1. Battery
2. Charging port
3. Battery lock
4. ON/OFF
5. Speed Control
6. LED
7. Dust Cup Release Button
8. Dust Cup
9. Filter Cover Button
10. Filter Cover



Tips : Before your first use:

1. Remove the product from the box.
2. Remove the packaging from the product.
3. Please retain all packaging until you have checked and counted all the parts and the content against the parts list.
4. Charge the battery for 4 hours until fully charged.

Product Operation

Assemble hand vacuum with wand and motorized floor, can be used to clean carpets and hard floors.

Tips: Please always turn off hand vacuum before attaching to parts.

1) How to assemble:

Slide wand onto hand vacuum until it clicks.

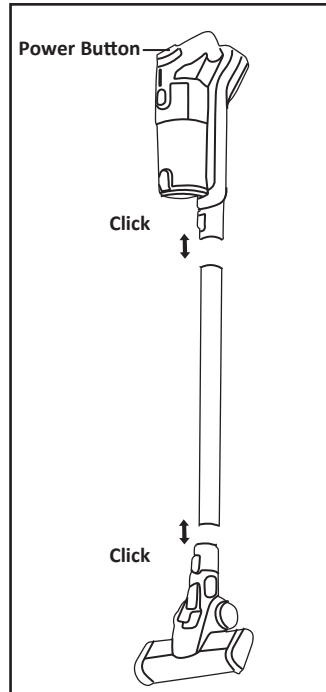
Push wand into motorized floor nozzle until it clicks.

Make sure they are fitted securely.

Fix the battery pack into body.

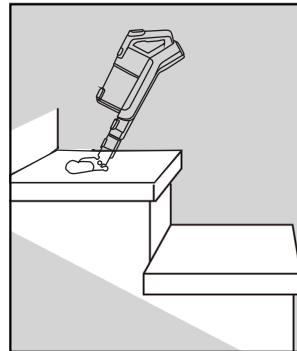
2) How to use :

1. Click power button once to start.
2. Press the ON/OFF button to start the vacuum cleaner;press the speed control button to adjust the vacuum cleaner work to High/Low speed



Assemble hand vacuum with motorized floor nozzle, this is perfect for cleaning stairs.

1. Press release button to remove wand from hand vacuum. Attach motorized floor nozzle directly to hand vacuum until it clicks.
2. Click power button once to start.
3. Click power button once again to stop.

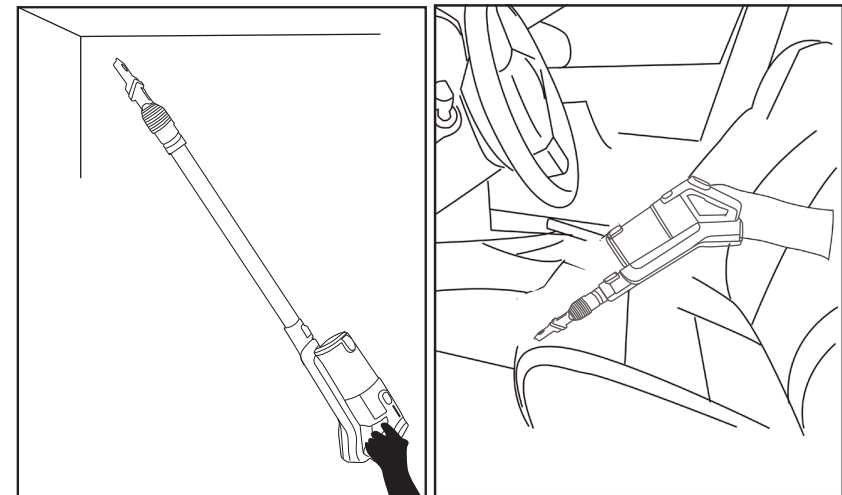


Assemble hand vacuum with accessories.

2-in-1 upholstery tool:

1. When using with wand and 2 in 1 Nozzle Tool, press release button to remove motorized floor nozzle, slide crevice tool onto end of wand until it clicks, this can be used to clean the corner of the wall.

2. When use with 2 in 1 Nozzle Tool only, press release button to remove wand, slide crevice tool onto end of tool until it clicks. This can be used to clean the corner of sofa or car seat.



Hard Bristle Roller Bar

Made for carpet flooring, to provide a greater agitation to the carpet helps you to reach out to the depth of the carpet, dislodging any dirt and debris

How to Charge

Tips: Please charge the product around 4 hours until fully charged for the first use.

*Before charging, make sure the adaptor is the right one.

*Put the body into wall mounting, it will be charging. when charging, the LED light will keep flashing, when fully charged, LED light will be keep turning on.

*When the battery is going to be power off, the LED light will flash. please charge it right now with adaptor.

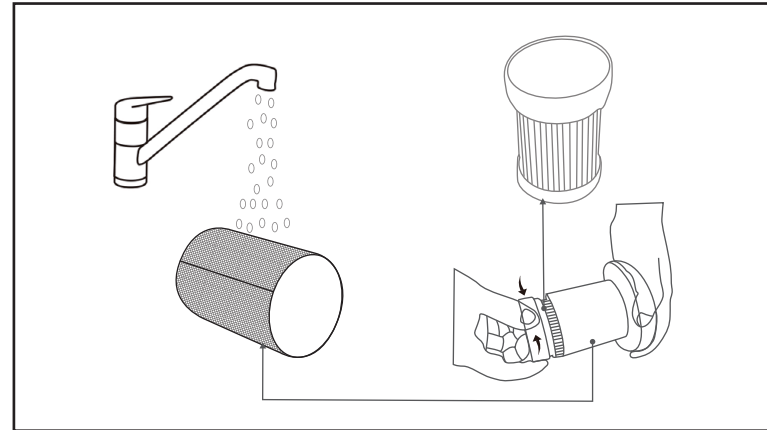
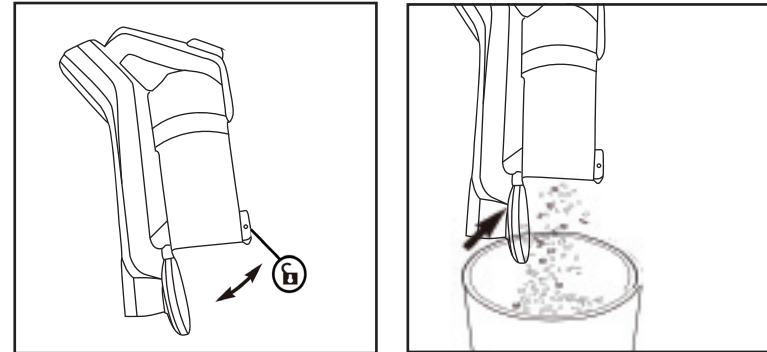
*Battery pack also could be taken out and charge directly. When charging, it is red color, when fully charged, change to green color.

Cleaning and Maintenance

Clean dust cup and filter

In order to achieve the best performance, empty the dust cup and clean filter screen after each use.

1. Turn off the vacuum cleaner.
2. Hold dust cup release button and take the dust cup out from vacuum cleaner.
3. Push lever to release bottom lid and debris will empty.
4. Take out the stainless steel filter screen and clean it with water.
5. Take white fabric filter and black foam filter out and clean them with water monthly.
6. Reassemble once completely dry.



Clean brushroll

1. Place motorized floor nozzle upside down.
2. Push the release button to take out the brushroll.
3. Use fingers to remove hair or debris.
4. Clean brushroll separately with water if needed.

Tips: Don't let water into the motorized floor nozzle as there are cables in it.

To reassemble:

1. Align one end of brushroll with floor nozzle gear.
2. Press other end into slot.
3. Hook retainer clip under tab and press down.
4. Insert screw and turn to 'lock' position.

Attention: after long time use, the roll may stick hair or other masses which needs to be cleaned in time in order to keep the vacuum cleaner working efficiently. If stick too many hairs, the brush may stop to protect the model, need clean it before open again.

Specification

Description	Cordless Vacuum Cleaner
Battery Charger Input	100-240V-50/60Hz 0.5A
Power	200W
Output	DC 35V 0.5A
Battery Type	Lithium Battery
Battery Capacity	2200mAh 29.6V
Charging Time	About 4 Hours
Working Time	20-40 Minutes
Dustbin Capacity	1000ML
Noise	<=60dB
Suction	18KPa

Troubleshooting

Problem	Solution
Vacuum will not work	<ol style="list-style-type: none"> 1. The vacuum may have run out of battery, make sure it is fully charged. 2. Push charger securely into electrical outlet, try another outlet or check circuit breaker.
Vacuum will not pick up dust or suction power is weak	<ol style="list-style-type: none"> 1. Empty dust cup and clean or change filters. 2. Make sure cleaner is fully powered, charge battery. 3. Remove clogs that restrict the airflow.
The power button does not work while charging	It is normal when the vacuum is in charging mode, the power button will be locked for power off protection.

Warranty

This product is covered by aiper warranty for 12 months from the date of its original purchase. If the product fails due to manufacturer defects, please contact us by the following ways to launch a warranty. We will instruct you on how to return the products for repair/replacement.

Free Call: US(877)756-8666 Mon-Fri: 9AM-5PM (PST)

Email: service@aipervip.com

The following are excluded from Aiper warranty cover:

1. Device purchased as 2nd hand, used, or from unauthorized sellers.
2. Damage resulted from misuse and abusive action.
3. Damage resulted from chemical, fire, radioactive substance, poison, or liquid.
4. Damage resulted from natural disaster.
5. Damage caused to any 3rd party, person, object, and beyond.

Statement

We can only provide after-sale services for products that are sold by aiper, if you have purchased your unit from a different place, please contact the seller for return and warranty issues.