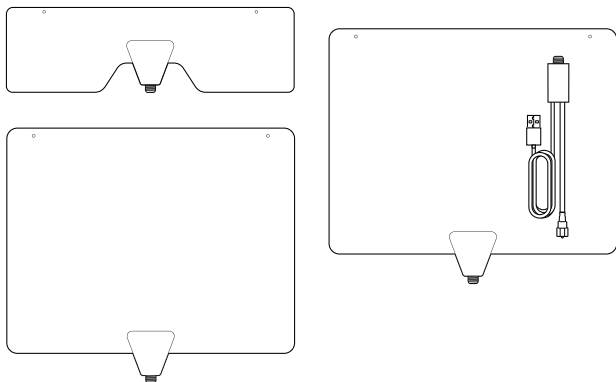


amazonbasics



Ultra Thin Indoor TV Antenna - 25 Mile Range

Ultra Thin Indoor TV Antenna - 35 Mile Range

Ultra Thin Indoor TV Antenna - 50 Mile Range

Antena TV para Interiores Ultra Fina - 25 millas

Antena TV para Interiores Ultra Fina - 35 millas

Antena TV para Interiores Ultra Fina - 50 millas

B00X4R9VBA

B00X4RA74A

B011N26Z5A

English.....	5
Español.....	12

Welcome Guide

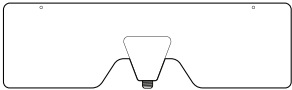


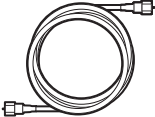
English

Español

Ultra Thin Indoor TV Antenna - 25 Mile Range

Contents:

Before getting started, ensure the package contains the following components:

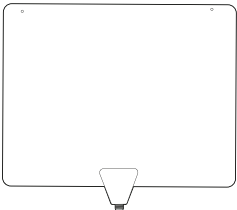


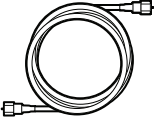
Part		Qty
Ultra Thin Indoor TV Antenna		1
Hook & Loop Tabs		4
Push Pins		4
6 ft. Coaxial Cable		1

Contents

Ultra Thin Indoor TV Antenna - 35 Mile Range

Contents:

Before getting started, ensure the package contains the following components:

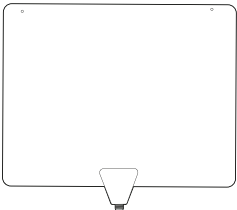


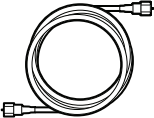
Part		Qty
Ultra Thin Indoor TV Antenna		1
Hook & Loop Tabs		4
Push Pins		4
10 ft. Coaxial Cable		1

Contents

Ultra Thin Indoor TV Antenna - 50 Mile Range

Contents:

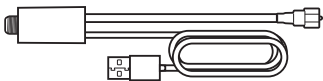
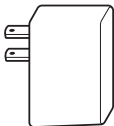
Before getting started, ensure the package contains the following components:

Part		Qty
Ultra Thin Indoor TV Antenna		1
Hook & Loop Tabs		4
Push Pins		4
16 ft. Coaxial Cable		1

Contents

Ultra Thin Indoor TV Antenna - 50 Mile Range

Continued:

Part		Qty
Amplifier		1
USB Power Adapter		1

Setup:

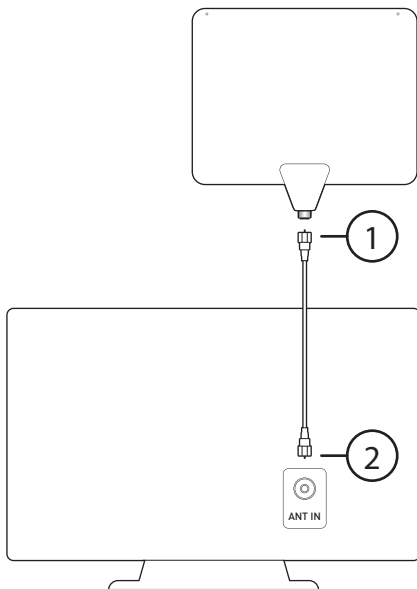
Step 1:

Attach the coaxial cable to the antenna by connecting either end of the coaxial cable to the connector on the antenna.

Step 2:

Non-Amplified Antenna

Attach the other end of the coaxial cable into the ANT IN connector on the back of your tv.

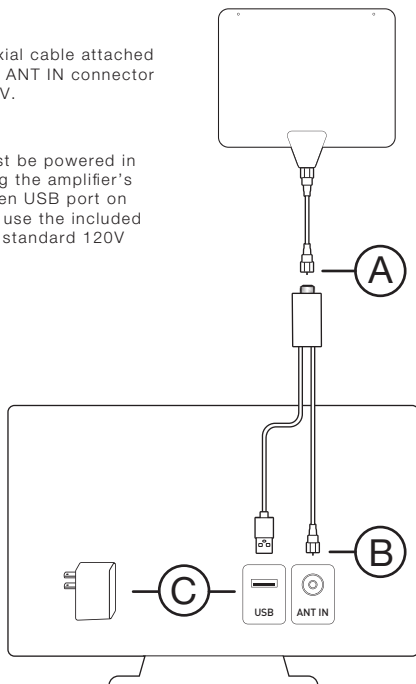


Setup:

Step 2:

Amplified Antenna

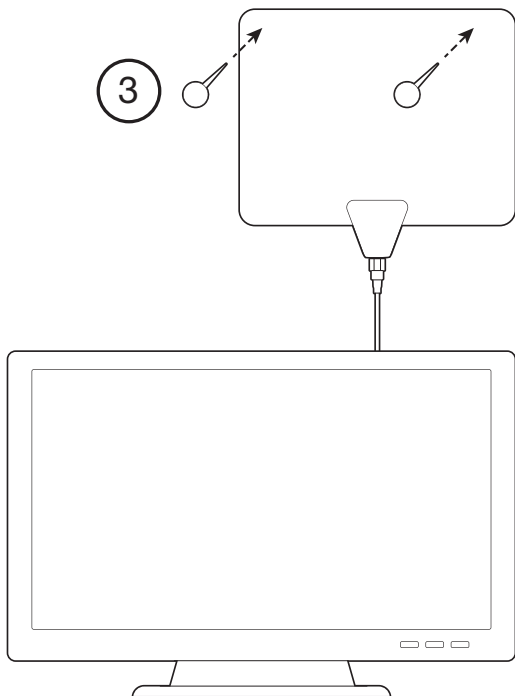
- A.** Attach the other end of the coaxial cable to the connector on the amplifier.
- B.** Connect the coaxial cable attached to the amplifier to the ANT IN connector on the back of your TV.
- C.** The amplifier must be powered in order to function. Plug the amplifier's USB cable into an open USB port on the back of the TV or use the included power adapter in any standard 120V wall outlet.



Setup:

Step 3:

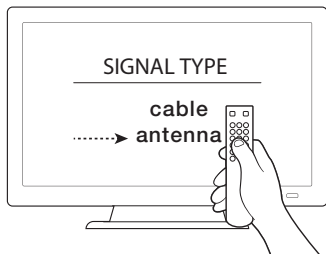
Install the antenna near your TV. You can use the included push pins in the two small holes at the top edge of the antenna to secure it to a convenient wall, bookcase, or any other non-metallic structure.



Setup:

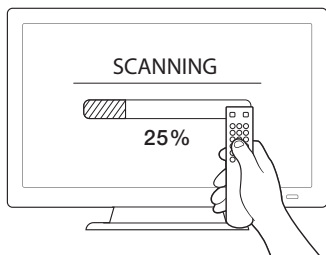
Step 4:

In your TV's setup menu, set the signal type to "antenna".



Step 5:

In your TV's setup menu, set TV to "scan" for channels.



FAQ:

How many channels will I receive with the antenna?

The number of channels will vary from location to location. Generally, if you live in or near a metropolitan area, you will receive more channels than if you live outside a metropolitan area. Keep in mind that antenna reception may vary based on terrain (including trees, buildings, hills, and mountains). The fewer obstructions, the better your chance for receiving strong digital signals.

What channels can the antenna receive?

The antenna is capable of receiving programming from major local broadcast networks (e.g. ABC, CBS, FOX, NBC, PBS) plus many additional networks (like Qubo, ION, The CW, This TV, MyNetworkTV, Azteca, Telefutera, Univision, and Telemundo). The antenna can also receive local news, weather, and educational programs that satellite and cable might not offer.

How can I find out what channels are broadcast in my area?

Enter your address to get a listing of likely channels available in your area at: dtv.gov/maps

Do I need to pay for programming?

No, local programming received through an over-the-air antenna is free!

FAQ:

How often do I need to run a channel scan?

Run a channel scan after setting up the antenna, and any time you move the antenna. It's a good idea to run a channel scan monthly to keep your channels up-to-date.

How do I know where the signal is strongest?

Try the antenna in different locations, making sure to run a channel scan every time you move the antenna. The fewer obstructions between the antenna and the tower and the higher the antenna is mounted, the better the chance of receiving a strong signal. Sometimes moving a few feet can make a difference.

Some HDTVs have a signal strength indicator that shows you how strong your signal is. See the instructions that came with your HDTV to see if yours has that feature.

Is there anywhere that the antenna shouldn't be mounted?

The antenna is designed for indoor use only. The antenna is not meant to be mounted outdoors or in the attic.

NOTE: Metal roofing and/or metallic radiant heat barriers in attics can affect signal reception.

Troubleshooting Instructions:

I am not getting any channels.

- Run a channel scan on your HDTV. Select Antenna, Off-Air Mode, or Auto-scan, depending on your HDTV. See your TV manual for more information.

NOTE: Running a channel scan is NOT the same as pressing Channel UP/DOWN on your remote.

- Move the antenna, then re-run the channel scan. Something may be obstructing the signal.
- If troubleshooting this issue for the 50-mile range antenna, use the USB power adapter instead of the USB port on your HDTV to get more power.
- Try adding or removing the amplifier if your model came with one.

One channel is missing.

- Move the antenna, then re-run the channel scan. Something may be obstructing the signal.
- Try turning the antenna 10 or 20 degrees in either direction to avoid reflection, then re-run the channel scan.

The picture or sound freezes while I am watching a channel, or there are boxes in the picture.

- This is often caused by a weak or intermittent signal, which can be a result of multiple factors including geographical obstructions, severe weather, and metal structures in the home. Try moving the antenna to a different location or aiming it directly toward the broadcast towers in your area.

Setup:

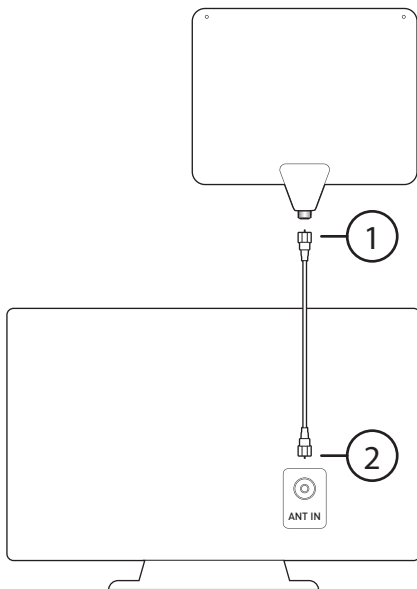
Step 1:

Conecte el cable coaxial a la antena conectando cualquier fin del cable coaxial en el conector de la antena.

Step 2:

Non-Amplified Antenna

Conecte el otro fin del cable coaxial en el conector ANT IN atrás de su televisor.

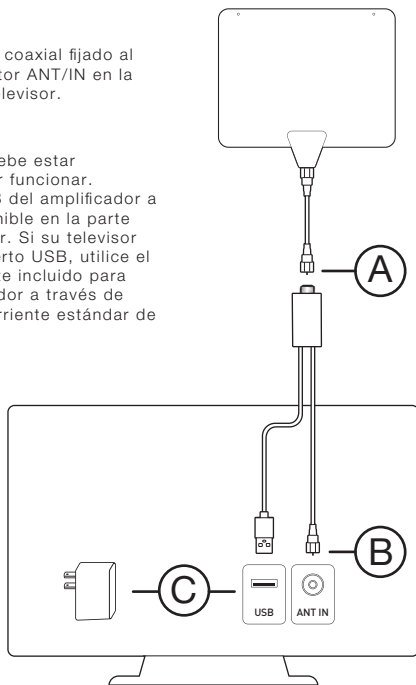


Setup:

Step 2:

Amplified Antenna

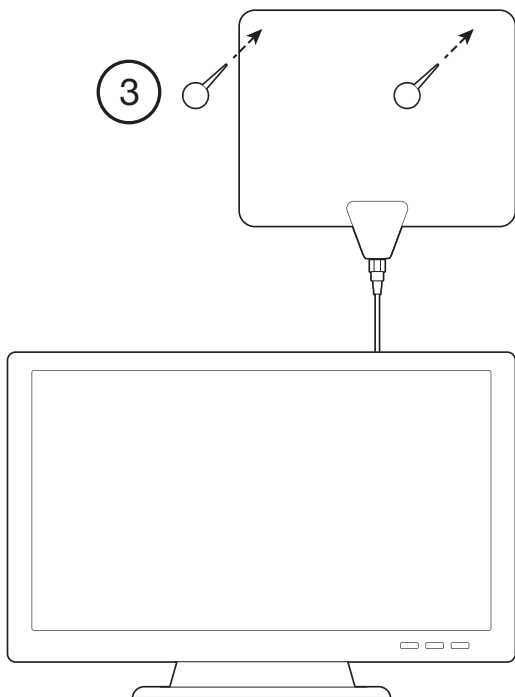
- A.** Conecte el otro fin del cable coaxial al conector situado en el amplificador.
- B.** Conecte el cable coaxial fijado al amplificador al conector ANT/IN en la parte trasera de su televisor.
- C.** El amplificador debe estar encendido para poder funcionar. Conecte el cable USB del amplificador a un puerto USB disponible en la parte trasera de su televisor. Si su televisor no dispone de un puerto USB, utilice el adaptador de corriente incluido para encender el amplificador a través de cualquier toma de corriente estándar de 120V.



Setup:

Step 3:

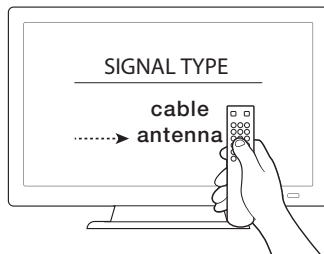
Instale la antena cerca de su televisor. Puede utilizar las tachuelas incluidas, en los dos pequeños hoyos en la orilla de la antena, para asegurarlo a una pared conveniente, un librero, o cualquier otra estructura que no sea metálica.



Setup:

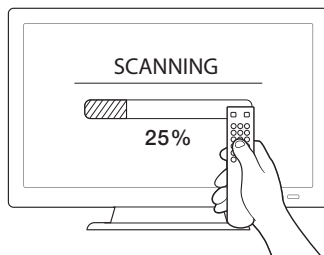
Step 4:

En el menú de configuración de su televisor, ponga el modo de sintonizar a "antena".



Step 5:

En el menú de configuración de su televisor, ponga su televisor a "escanear" por canales.



Safety and Compliance:



Regulatory Information: Disposal of Waste Electrical and Electronic Equipment (WEEE)

The Waste Electrical and Electronic Equipment (WEEE) Directive aims to minimize the impact of electrical and electronic goods on the environment, by increasing re-use and recycling and by reducing the amount of WEEE going to landfill.

Symbol on this product or its packaging signifies that this product must be disposed separately from ordinary household wastes at its end of life. Be aware that this is your responsibility to dispose of electronic equipment at recycling centers in order to help conserve natural resources.

Each country should have its collection centers for electrical and electronic equipment recycling. For information about your recycling drop off area, please contact your related electrical and electronic equipment waste management authority, your local city office, or your household waste disposal service.

Safety and Compliance:

FCC Information

For amplified product ASIN B01IN26Z5A only.

This equipment has been tested and found to comply with the limits for a Class B digital device, pursuant to Part 15 of the FCC Rules. These limits are designed to provide reasonable protection against harmful interference in a residential installation. This equipment generates, uses and can radiate radio frequency energy and, if not installed and used in accordance with the instructions, may cause harmful interference to radio communications. However, there is no guarantee that interference will not occur in a particular installation. If this equipment does cause harmful interference to radio or television reception, which can be determined by turning the equipment off and on, the user is encouraged to try to correct the interference by one or more of the following measures:

- Reorient or relocate the receiving antenna.
- Increase the separation between the equipment and receiver.
- Connect the equipment into an outlet on a circuit different from that to which the receiver is connected.

Changes or modifications not expressly approved by the party responsible for compliance may cause interference and void the user's authority to operate the equipment.

This device complies with Part 15 of the FCC Rules. Operation is subject to the following two conditions: (1) This device may not cause harmful interference, and (2) this device must accept any interference received, including interference that may cause undesired operation.

Warranty Information

To obtain a copy of the warranty for this product:

 Visit amazon.com/AmazonBasics/Warranty

— or —

 **Contact Customer Service at
1-866-216-1072**

Feedback

Love it? Hate it?

Let us know with a customer review.

AmazonBasics is committed to delivering customer-driven products that live up to your high standards. We encourage you to write a review sharing your experiences with the product.

Please visit: <https://www.amazon.com/review/review-your-purchases>



For further service:

 Visit amazon.com/gp/help/customer/contact-us

— or —

 **Contact Customer Service at 1-866-216-1072**

amazonbasics

amazon.com/AmazonBasics