



Important Warnings

Please follow all instructions and warnings to avoid hazardous situations that can result in property damage and/or patient/resident/staff/caregiver injury and/or death.

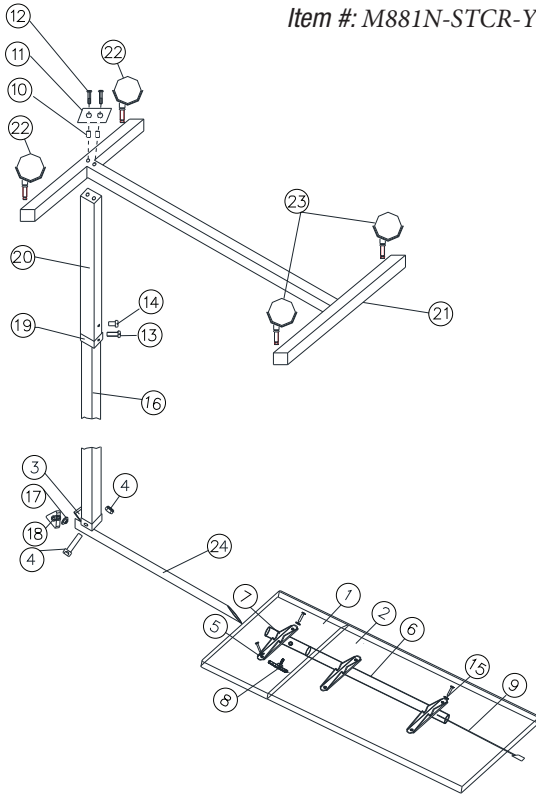
Inspect the product for damage and loose hardware before each use. **DO NOT** use the product if it appears to be damaged or unstable and **DO NOT** modify the product in any way.

Assembly Precautions

This Overbed Table utilizes a high-tension spring loaded mechanism to raise the table. **DO NOT remove #13 Black Screw and replace with the #14 Chrome Screw until table is fully assembled. The table top will raise suddenly and cause serious personal injury. DO NOT** over tighten bolts, screws or use power tools when assembling this product.

Deluxe Tilt-Top Overbed Table

Item #: M881N-STCR-YYVM

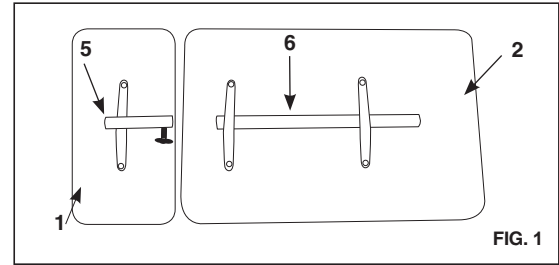


Parts List

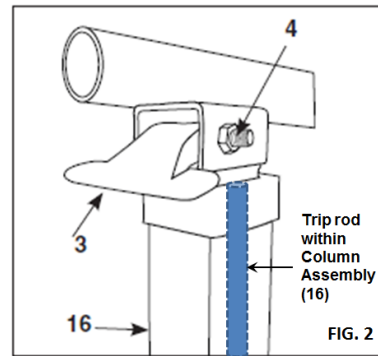
- | | |
|---------------------------------|-----------------------------|
| 1. Table Top (Small) | 13. 1/4" #20 Bolt (Black) |
| 2. Table Top (Large) | 14. 1/4" #10 Bolt (Chrome) |
| 3. Release Handle | 15. Spacer |
| 4. 1/4" #20 Bolt & Nut (1 Each) | 16. Column Assembly |
| 5. Top Bracket Tube I | 17. Spacer |
| 6. Top Bracket Tube II | 18. Triangle Knob |
| 7. Bracket Connecting Piece | 19. Stand Pipe Stopper |
| 8. Fixed Knob | 20. Stand Pipe |
| 9. Draw Pipe | 21. Base |
| 10. Bolt Sleeve | 22. Caster With Lock (2) |
| 11. Bolt Plate | 23. Caster Without Lock (2) |
| 12. 3/8" #18 UNF Bolt | 24. Outer Tube |

Assembly Instructions

1. Remove contents from packaging. Lay Top Boards (1 & 2) upside down on flat surface with Mounting Tubes (5 & 6) facing upward. See Fig. 1. Set aside for use at Step 3.



2. Place Trip Lever (3) with its curved side facing upwards on Column Assembly (16). Ensure the Trip Lever sits on top of the Trip Rod that is within the column. Secure with Bolt and Nut (4) See Fig. 2.

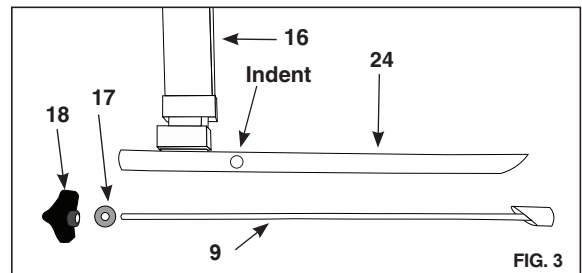


IMPORTANT NOTE!!!

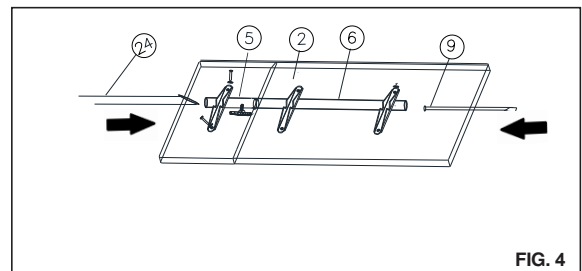
It is normal to hear clanking sounds when shaking or moving the Column Assembly (16). This is due to the movement of the trip rod within the column assembly. During transport, sometimes the trip rod may fall out of the column assembly. Simply re-insert the trip rod back into the column before proceeding to the next step.

(Reminder: **DO NOT** remove #13 Black Screw from the column)

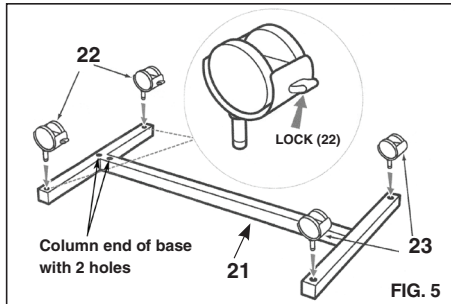
3. Remove Triangle Knob (18), Spacer (17) and the Inner Tube (9) from the Outer tube (24). See Fig. 3.



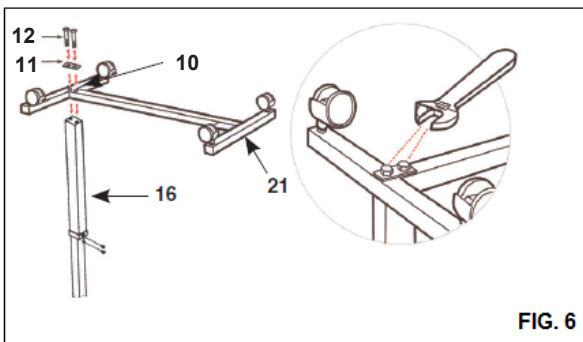
4. Insert Outer Tube (24) of the Column Assembly through Mounting Tube (5) of the Short Top Board from Step 1. Then insert Outer Tube through the Mounting Tube (6) on the Large Table Top (2). Insert Inner Tube (9) through Mounting Tube (6). Tighten Fixed Knob (18) and Spacer (17) into the "Hole" on Outer Tube (24). See Fig. 4.



5. Install the two Casters With Lock (22) into the side of the Base (21) which connects to Column Assembly (16). Install two Non-Locking Casters (23) into the opposite side of the Base (21). See Fig. 5.



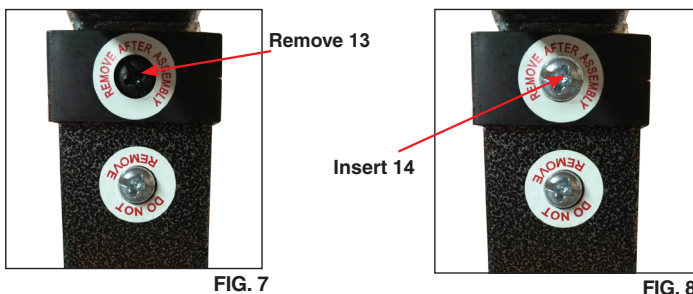
6. Install two Bolt Sleeves (10) into the upside down Base (21) and then position the two Bolts (12) through the Bolt Plate (11) and into the Bolt Sleeves (10). Position the Base (21) over the Column Assembly (16) and thread bolts into bottom of Column Assembly (16) and tighten using 16mm wrench. See Fig. 6.



7. Turn the table upright and stand on Casters.

8 CAUTION:

This step must be completed last to prevent damage to the spring loaded mechanism. With one hand pressing down on the table top to prevent table top from springing upwards, gently remove Black Screw (13) in the Column Assembly labeled "**Remove After Assembly.**" and replace it with Chrome Screw (14) provided in the hardware package. (Note: Table top must be pressed down the entire time until chrome screw is tighten securely.) The bottom chrome screw with the "**Do Not Remove**" label should never be removed as it will damage the unit and void your warranty. See Fig.7 and Fig 8.



Intended Use

This product is designed for use as a movable patient/resident table top surface for reading, eating, or keeping small personal items such as glasses, telephone or books, within easy reach. This product is designed for indoor use **ONLY** and within close proximity of skilled caregivers. It is not designed to hold electrical items (such as televisions, computer monitors, coffee pots, etc.) and should not be used near open flames and excessive heat.

Maximum weight limitation for this product is 50 lbs. (22 kg.); weight should be evenly distributed over the table top surface while at the lowest usable height to help maintain a stable condition.

DO NOT overload this product, as that could result in breakage, as well as damage to property and/or serious injury. Use **ONLY** as directed for its intended use. This product **SHOULD NOT** be used as a sleep surface, walker, mobility aid; or to assist a person in walking, sitting down, standing up; or to prevent or brace a person's fall; or to help transport persons or items.

Operating Instructions

1. This is a one-touch height adjustment table. For the convenience of our user, this table has been specially designed to allow user to raise the table top to desired height by simply applying light pressure upwards at any point under the table. The user will not be required to turn any knob to adjust the table upwards.
2. To lower the table, squeeze Trip Lever (3) up towards top and push down at column to desired height. Do not put pressure on Tabletop end that is opposite the column. Column Assembly will lock upon release of Trip Lever.
3. To tilt, turn Triangle Knob (18) counter-clockwise to loosen. Set to desired angle and then turn knob (18) clockwise to tighten. Short Table (1) top does not tilt.

One Year Warranty

This warranty is solely for the benefit of the original consumer purchaser.

This device was built to exacting standards and carefully inspected prior to shipment. Your Vaunn® Medical product is warranted to be free of defects in materials and workmanship for a period of one year. If within such warranty period, the product proves defective, the product will be repaired or replaced, at the option of Vaunn® Medical. This warranty does not cover device failure due to owner misuse or negligence, or normal wear and tear. If you have a question about your Vaunn® Medical product or this warranty, please contact us.



Vaunn Medical

10101 Stafford Centre Drive Suite B
Stafford Texas 77479
Tel: 832-939-8290
www.vaunn.com
Made in China