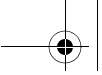


**amazon**  
basics

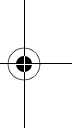
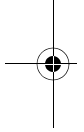
**AmazonBasics Patio Heater**



**B00LILH3V4  
B00LILH47C  
B010VFKZEO**



**English . . . . .5**



## Safety and compliance

### DANGER

FOR YOUR SAFETY:

If you smell gas:

1. Shut off gas to the appliance.
2. Extinguish any open flame.
3. If odor continues, keep away from the appliance and immediately call your gas supplier or fire department.

### DANGER

Danger indicates an imminently hazardous situation which, if not avoided, will result in death or serious injury.

### DANGER

Failure to comply with the precautions and instructions provided with this heater can result in death, serious bodily injury and property loss or damage from hazards of fire, explosion, burn, asphyxiation, and /or carbon monoxide poisoning. Only persons who can understand and follow the instructions should use or service this heater.

### DANGER

Do not store or use gasoline or other flammable vapors and liquids in the vicinity of this or any other appliance.

### DANGER

Improper installation, adjustment, alteration, service or maintenance can cause property damage, injury or death. Read the installation, operation and maintenance instructions thoroughly before installing or servicing this equipment.

### DANGER

#### \* EXPLOSION – FIRE HAZARD

- \* Keep solid combustibles, such as building materials, paper, or cardboard a safe distance away from the heater as recommended by the instructions.
  - \* Provide adequate clearances around air openings into the combustion chamber.
  - \* Never use the heater in spaces which do or may contain volatile or airborne combustibles, or products such as gasoline, solvents, paint thinner, dust particles or unknown chemicals.
  - \* During operation, this appliance can be a source of ignition. Keep heater area clear and free from combustible materials, gasoline, paint thinner, cleaning solvents and other flammable vapors and liquids. Do not use heater in areas with high dust content.
- Minimum heater clearances from combustible materials: three (3) feet or 36 inches from top and two (2) feet or 24 inches from sides.

### WARNING

FOR OUTDOOR USE ONLY!

### WARNING

WARNING indicates an imminently hazardous situation which, if not avoided, will result in death or serious injury.

### DANGER

#### \* CARBON MONOXIDE HAZARD

- \* This heater is a combustion appliance. All combustion appliances produce carbon monoxide (CO) during the combustion process. This product is designed to produce extremely minute, non-hazardous amounts of CO if used and maintained in accordance with all warnings and instructions. Do not block the air flow into or out of the heater.
- \* Carbon Monoxide (CO) poisoning produces flu-like symptoms, watery eyes, headaches, dizziness, fatigue and possibly death. You can't see and you can't smell it. It is an invisible killer. If these symptoms are present during operation of this product get fresh air immediately!
- \* For outdoor use only.
- \* Never use inside house or other unventilated or enclosed areas.
- \* This heater consumes air (oxygen). Do not use in unventilated or enclosed areas to avoid endangering your life.

### WARNING: FOR OUTDOOR USE ONLY



#### CARBON MONOXIDE HAZARD

This appliance can produce carbon monoxide which has no odor. Using it in an enclosed space can kill you. Never use this appliance in an enclosed space such as a camper, tent or home.

### WARNING

#### BURN HAZARD

- \* Never leave heater unattended when hot or in use.
- \* Keep out of reach of children.

 **DANGER**

- \* EXPLOSION – FIRE HAZARD
- \* Never store propane near high heat, open flames, pilot lights, direct sunlight, other ignition sources or where temperatures exceed 120 degrees F (49 degrees C).
- \* Propane vapors are heavier than air and can accumulate in low places. If you smell gas, leave the area immediately.
- \* Never install or remove propane cylinder while heater is lighted, near flame, pilot lights, or other ignition sources or while heater is hot to the touch.
- \* This heater is red hot during use and can ignite flammables too close to the burner. Keep flammables at least 3 feet (36 inches) from top and 2 feet (24 inches) from sides. Keep gasoline and other flammable liquids and vapors well away from heater.
- \* Store the propane cylinder outdoors in a well ventilated space out of the reach of children. Never store the propane cylinder in an enclosed area (house, garage, etc.). If heater is to be stored indoors, disconnect the propane cylinder for outdoor storage.

 **WARNING**

Certain materials or items, when stored under the heater, will be subject to radiant heat and could be seriously damaged.

 **CAUTION**

**SERVICE SAFETY**

- \* Keep all connections and fittings clean. Make sure propane cylinder valve outlet is clean.
- \* During set up, check all connections and fittings for leaks using soapy water. Never use a flame to check for leaks.
- \* Use as a heating appliance only. Never alter in any way to use with any device.

 **WARNING**

This product can expose you to chemicals including carbon monoxide which is known to the State of California to cause birth defects or other reproductive harm. For more information go to [www.P65Warnings.ca.gov](http://www.P65Warnings.ca.gov).

 **WARNING**

- \* This product is fueled by propane gas. Propane gas is invisible, odorless, and flammable. An odorant is normally added to help detect leaks and can be described as having a “rotten egg” smell. The odorant can fade over time so leaking gas is not always detectable by smell alone.
- \* Propane gas is heavier than air and leaking propane will sink to the lowest level possible. It can ignite by ignition sources including matches, lighters, sparks or open flames of any kind many feet away from the original leak. Use only propane gas set up for vapor withdrawal.
- \* Store or use propane gas in compliance with local ordinances and codes or with ANSI/NFPA 58. Turn off propane when not in use.

 **WARNING**

- \* Alert children and adults to the hazards of high surface temperatures. Stay away from these surfaces to avoid burning skin or igniting clothing.
- \* Carefully supervise young children when in the vicinity of the heater.
- \* Do not hang clothing or any other flammable materials from the heater, or place near the heater.
- \* Replace any guard or protective device removed for servicing the appliance prior to placing back in service.
- \* Installation and repair should be done by a qualified service person. The heater should be inspected before use and annually by a qualified service person. More frequent cleaning may be required as necessary. It is imperative that the control compartment, burners, and circulating air passageway of the appliance be kept clean.

 **CAUTION**

CAUTION indicates an imminently hazardous situation which, if not avoided, may result in minor or moderate personal injury, or property damage.



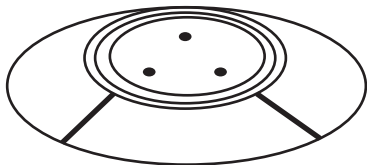
## Instruction Manual · English

### Patio Heater

---

#### Contents

Make sure that the package contains the following parts and hardware before you begin assembly:



A - Reflector panel (4)  
B - Reflector center cap (1)



C - Head assembly (1)  
E - Gas hose (1)



D - Tank housing (1)



F - Upper post (1)



G - Lower post (1)



H - Regulator (1)



I - Post supports (3)



J - Base\* (1)



K - Wheel assembly (1)



L - Chain (1)



Large bolt (6)



Small bolt (5)



Reflector stud (3)



Small screw (12)



Large flat washer (9)



Small flange nut (6)



Wing nut (3)



Cap nut (12)



Wrench (1)



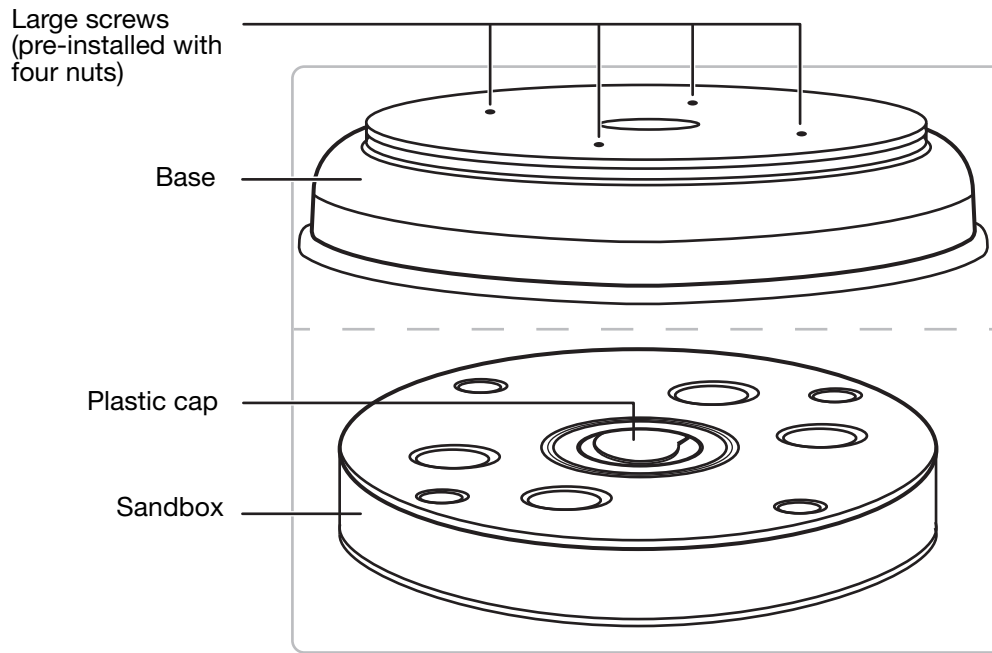
Small bolt with lock washer (4)

**Tools Required for Assembly (Not Included):**

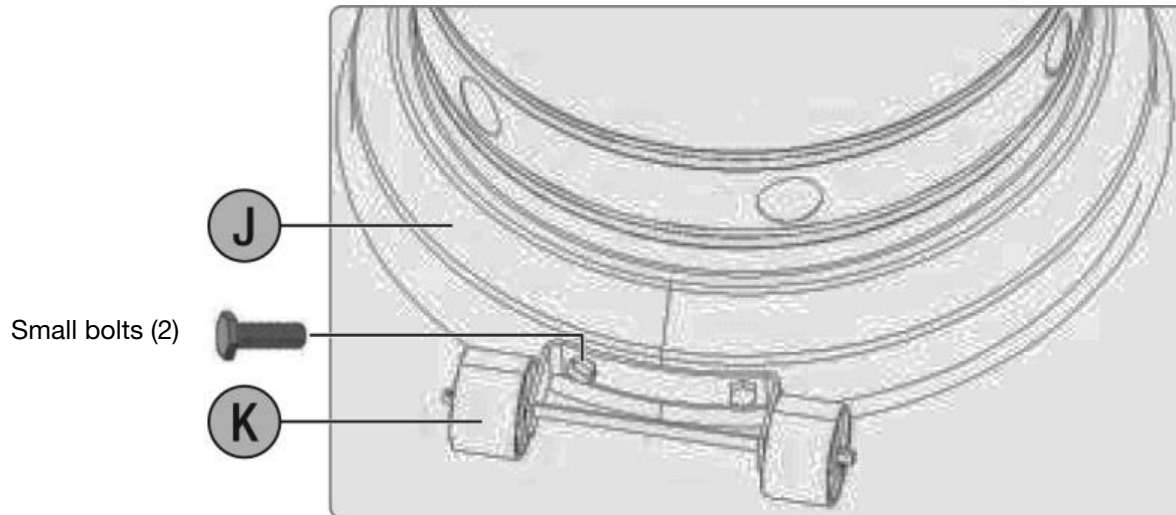
- Phillips screwdriver
- Leak-test solution (see step 1\$ for more information)

## Assembly Instructions

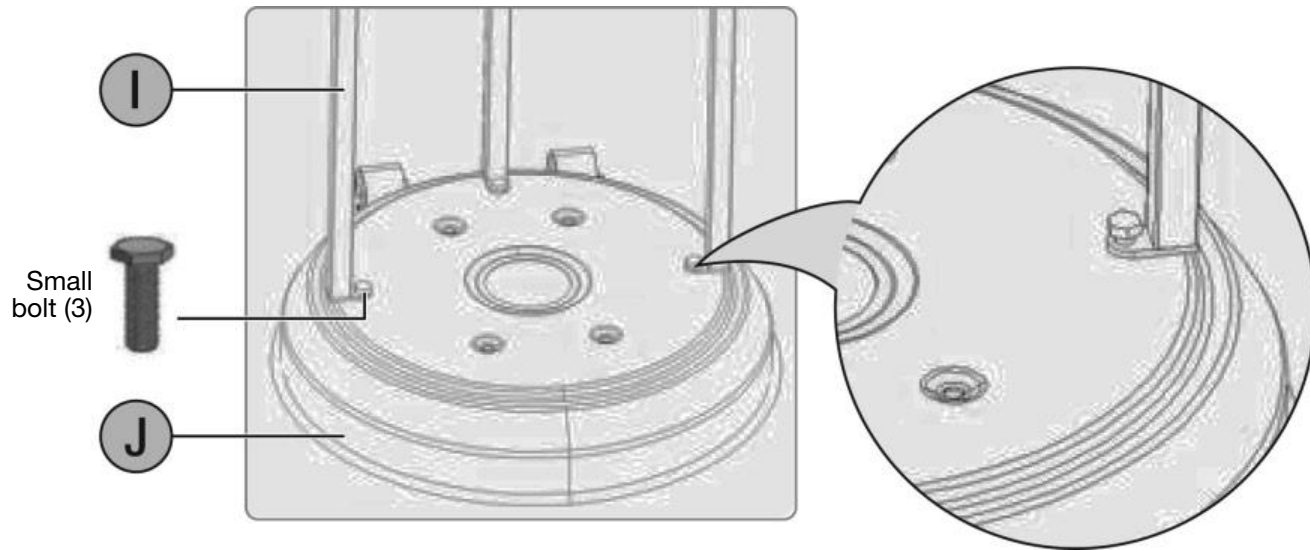
**Step 1:** Remove the four large screws and large nuts that secure the base to the sandbox, then pry open the plastic cap on the top. Fill the sandbox with water or sand, then place the plastic cap. Slide the base back on the sandbox, then reinsert the screws and secure by tightening the nuts on the bolts.



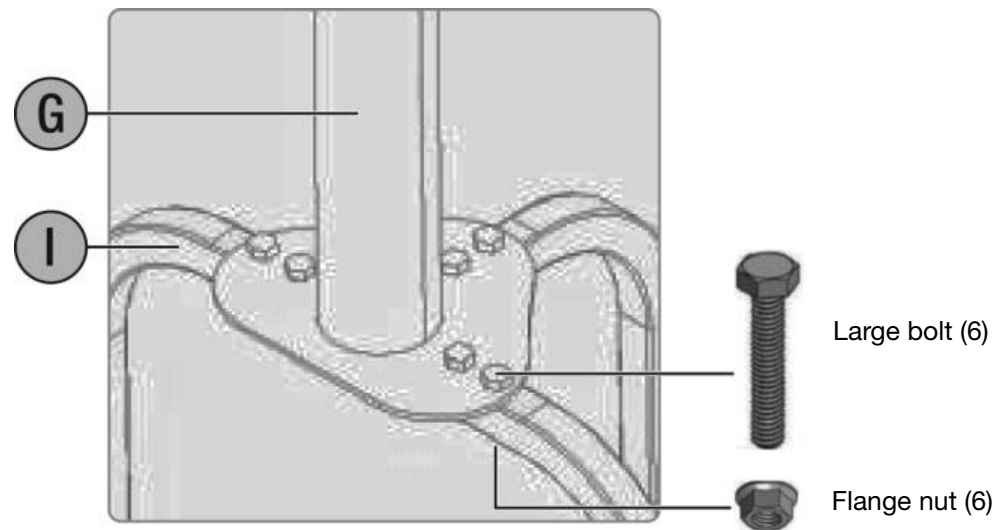
**Step 2:** Align holes in the wheel assembly with the holes in the base, then insert two small bolts through the holes and hand tighten. Make sure that the wheel assembly is parallel to the base, then tighten the bolts with the wrench.



**Step 3:** Align the holes in the bottom of the post support (I) and base, then secure with a small bolt (hand tighten). Repeat with the other two post supports, then tighten all bolts with the wrench.

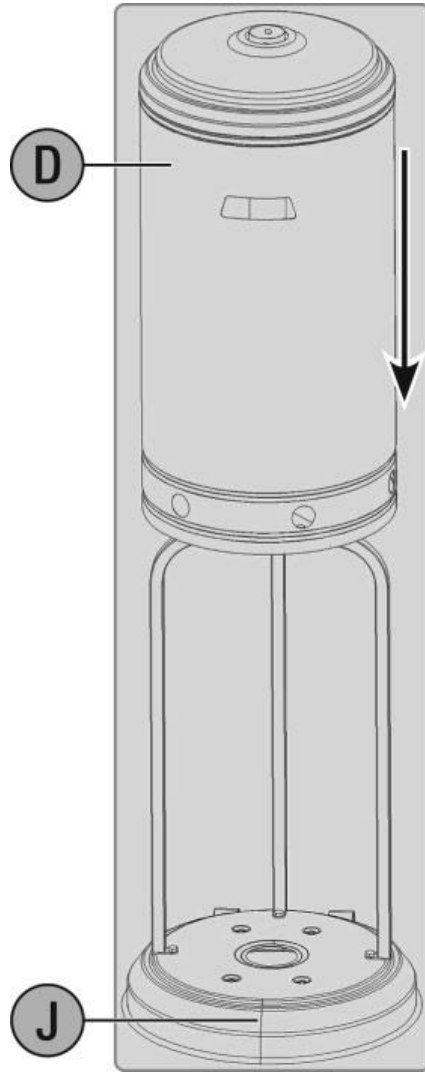


**Step 4:** Align the holes in the lower post (G) with the holes in the tops of the post supports. Insert a large bolt through each hole, then secure with a small flange nut. Tighten with the wrench after all bolts have been inserted.

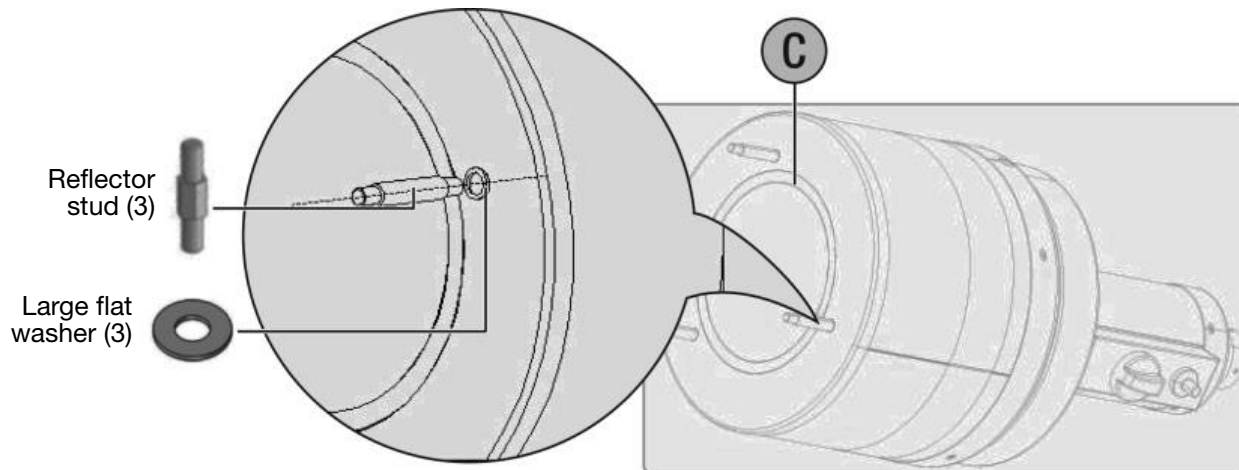


**Step 5:** Screw the upper post (F) onto the lower post.

**Step 6:** Insert the tank housing (D) onto the upper post and lower it until it rests on the base.



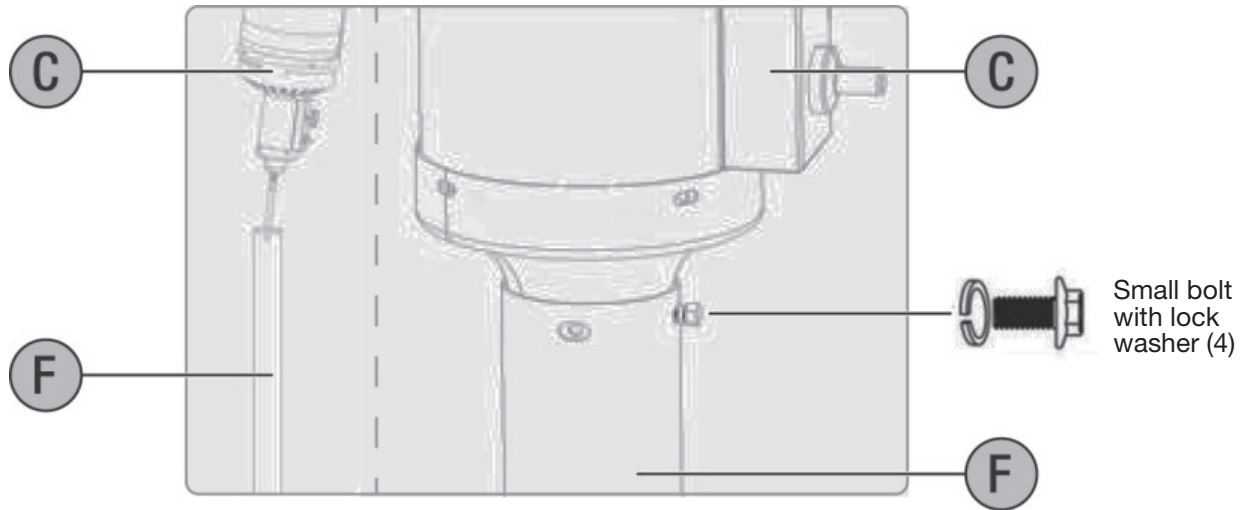
**Step 7:** Insert the reflector studs into the large flat washers, then push them into the holes on the top of the head assembly (C).



**Step 8:** Attach head assembly (C) to upper post (F).

Route the gas hose (E) down through the post assembly, then place the head assembly on the upper post, making sure that the screw holes on the head assembly align with the holes in the upper post (the control knob should be above decal on post).

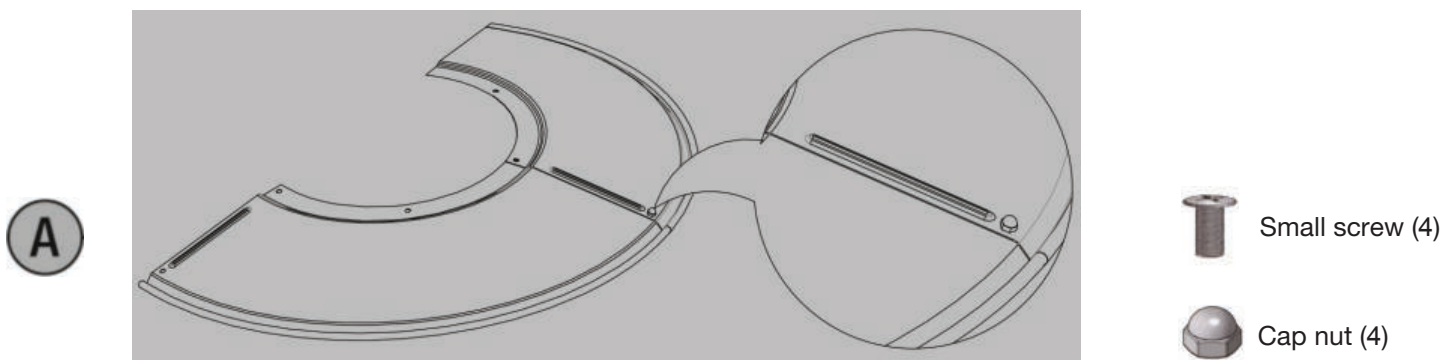
Insert the four small bolts and lock washers and tighten securely.



**Step 9:**

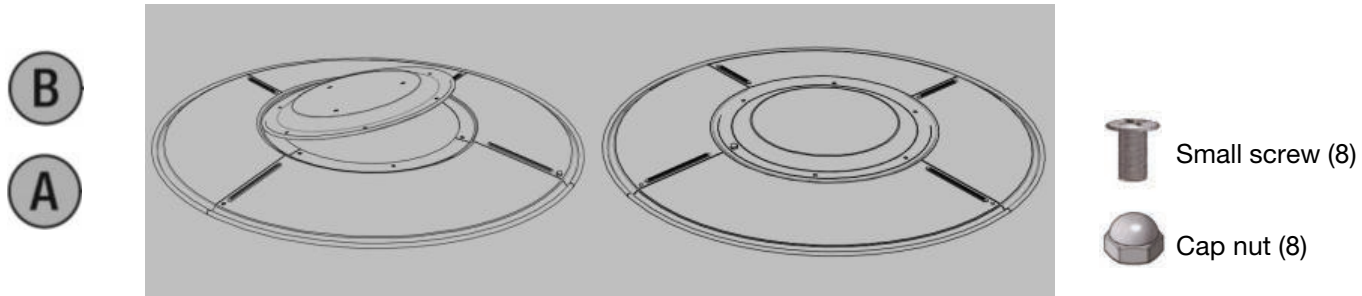
**Note:** Make sure that you remove the protective plastic covering on the reflector pieces before assembly!

Slide two of the reflector panels together, then insert one small screw and loosely screw on a cap nut. Add the third and fourth reflector panels to the assembly.

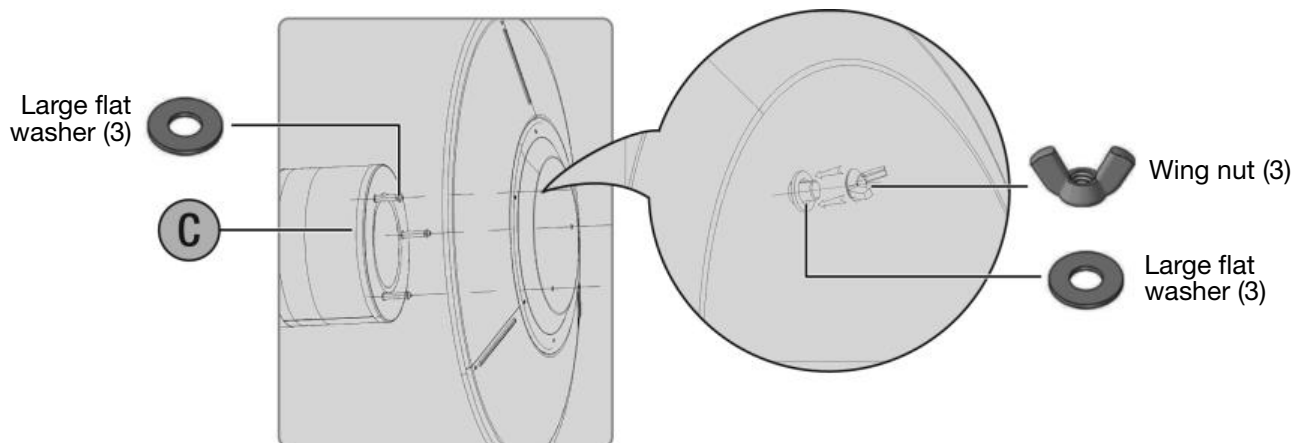


Slide the reflector center cap (B) onto the assembled reflector panels. Insert one small screw and loosely screw on a cap nut. Repeat with two more small screws and cap nuts to complete reflector assembly. Fully tighten all screws and cap nuts.

**Assembly Tip:** If the reflector sections aren't aligning, loosen each screw before further assembly and retighten after the sections are aligned.



**Step 10:** While supporting the heater, tilt the head assembly and slide three large flat washers over the reflector studs. Place the reflector assembly onto the reflector studs, then slide three more large flat washers over the reflector studs and onto the reflector assembly. Secure with three wing nuts.

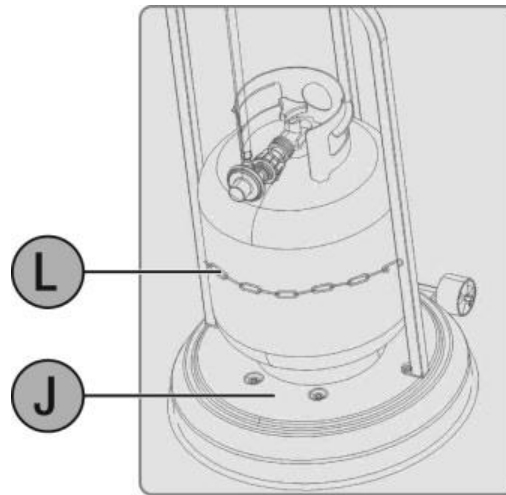


**Step 11:** Lift the tank housing up and rest a standard 20 lb. propane tank (sold separately) on the top of the assembled post supports.

Screw the regulator onto the gas hose (be careful not to cross-thread) and hand-tighten securely, then tighten with a wrench.


Attach the regulator to the valve on the propane tank and hand-tighten securely.

Move the propane tank onto base of the heater. Secure the propane tank by attaching the chain to the post supports. Lower the tank housing.



**Note:** Only use a standard 20 lb. propane tank with this heater. Use this heater only with a propane vapor withdrawal supply system. See chapter 5 of the standard for storage and handling of liquefied petroleum gas, ANSI/NFPA 58. Your local library or fire department should have this book.

**Step 12:** Perform a leak test.

 <b>WARNING</b>
<ul style="list-style-type: none"> <li>* Perform all leak tests outdoors.</li> <li>* Extinguish all open flames.</li> <li>* NEVER leak test when smoking.</li> <li>* Do not use heater until all connections have been leak tested and show no signs of leakage.</li> </ul>

Make 2-3 oz. of leak test solution by mixing one part liquid dishwashing detergent and three parts water.

Apply several drops of solution where the hose attaches to the regulator and where the regulator connects to the propane tank.

Make sure all patio heater valves are OFF, then turn the propane tank valve ON.

IF BUBBLES APPEAR AT ANY CONNECTION, THERE IS A LEAK. Do the following:

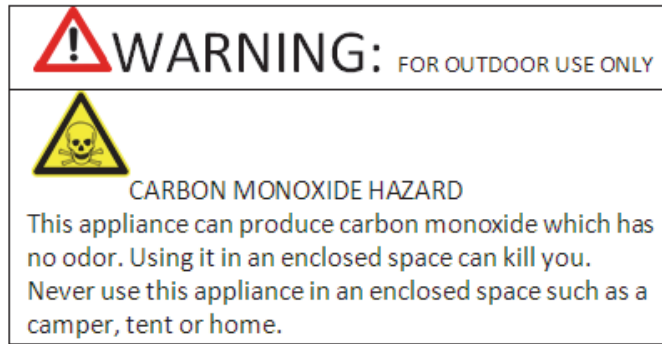
Turn the propane tank valve OFF.

If a leak is detected at the hose/regulator connection, tighten the connection and perform another leak test. If bubbles continue to appear, call Well Traveled Living's specialized customer service hotline at 1-904-557-7011, 9 a.m. - 6 p.m., EST, Monday - Friday.

If a leak is detected at the regulator/cylinder valve connection, disconnect, then reconnect and perform another leak test. If you continue to see bubbles after several attempts, the propane tank valve is defective. Call Well Traveled Living's specialized customer service hotline at 1-904-557-7011, 9 a.m. - 6 p.m., EST, Monday - Friday

IF NO BUBBLES APPEAR AT ANY CONNECTION, THE CONNECTIONS ARE SECURE.

**Note:** Whenever gas connections are loosened or removed, you must perform a complete leak test.



## Using Your Patio Heater

**Caution:** Do not attempt to operate this appliance until you have read and understand all of the safety information in the manual, the assembly is complete, and leak tests have been performed.

### Before Turning the Gas Supply ON

- Your heater was designed and approved for OUTDOOR use only. Do NOT use it inside a building, garage, or any other enclosed area.
- Make sure that surrounding areas are free of combustible materials, gasoline, and other flammable vapors or liquids.
- Make sure that there are no obstructions to air ventilation. Be sure all gas connections are tight and there are no leaks.
- Make sure that the cylinder cover is clear of debris. Be sure any component removed during assembly or servicing is replaced and fastened prior to starting.

### Before Lighting Your Heater

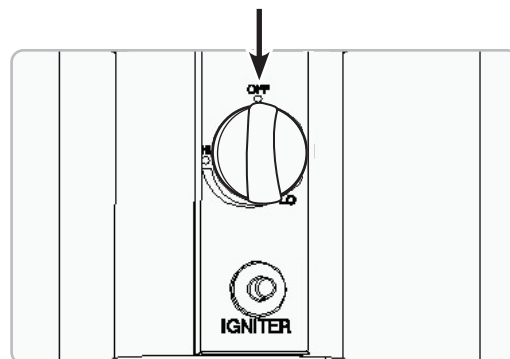
Your heater should be thoroughly inspected before each use, and by a qualified service person at least annually. Always wait at least five minutes if you are re-lighting a hot heater.

Inspect the hose assembly for evidence of excessive abrasion, cuts, or wear. Suspected areas should be leak-tested. If the hose leaks, it must be replaced prior to operation. Use only a replacement hose assembly specified by the manufacturer.

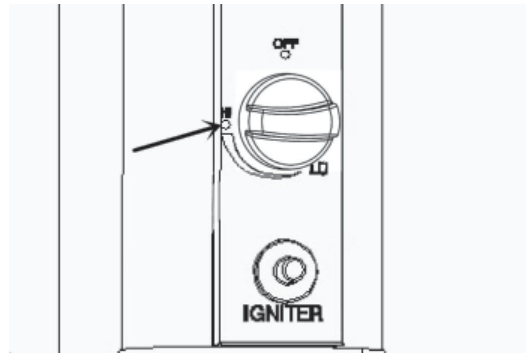
### Lighting Your Heater

**Note:** When starting your heater for the first time, or after you change the propane tank, push and hold the control knob in for two minutes to remove air from the gas lines.

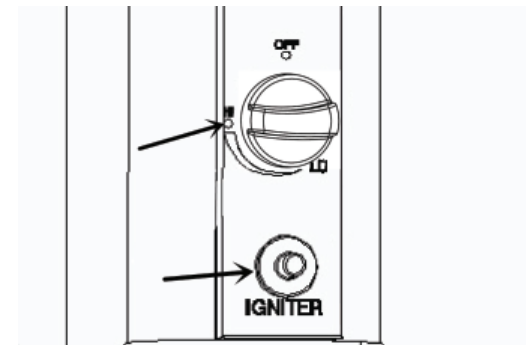
1. Push in the control knob and turn it **OFF**.



2. Fully open the propane tank valve.
3. Push the control knob in and rotate to **HI**.



4. While pushing in the control knob, press the red **IGNITER** button repeatedly until the main burner lights. Continue to hold the control knob in for 30 more seconds, then release the it.




5. Turn the control knob to adjust the flame.
6. When you are finished, turn the control knob and propane tank **OFF**. Wait at least five minutes before re-lighting the heater.

If you experience any ignition problems, please see “Troubleshooting” on page 17.

Unit will operate at reduced efficiency below 40°F (4.4°C).

**Caution** Avoid inhaling the fumes emitted from the heater's first use. Smoke and odor from the burning of oils used in the manufacturing may be present. The smoke and odor dissipates after approximately 30 minutes. The heater should NOT produce thick black smoke.

 <b>WARNING</b>
<p><b>FOR YOUR SAFETY</b> Be careful when attempting to manually ignite this heater. Holding in the control knob for more than 10 seconds before igniting the gas will cause a ball of flame upon ignition.</p>

## When the Heater is ON

The emitter screen becomes bright red due to intense heat. The color is more visible at night. The burner displays tongues of blue and yellow flame. These flames should not be yellow or produce thick black smoke, indicating an obstruction of airflow through the burners. The flame should be blue with straight yellow tops. If excessive yellow flame is detected, turn off the heater and refer to “Troubleshooting” on page 17.

## Re-lighting Your Heater

1. Push in the control knob and turn it **OFF**.

2. Wait at least five minutes to allow gas to dissipate before re-lighting. See “Lighting your heater” for instructions.

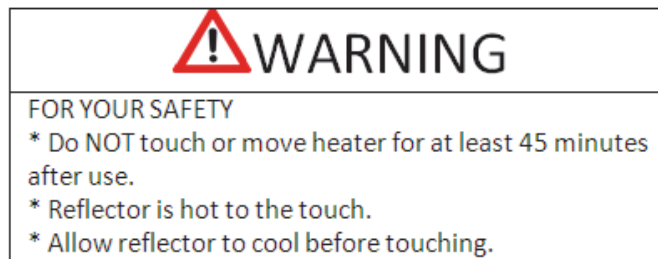


## Shutting Down Your Heater

1. Push in the control knob and turn it **OFF**. The burner may make a slight popping noise as it turns off.
2. Turn the propane tank valve off and disconnect the regulator when the heater is not in use.  
**Note:** After use, some discoloration of the emitter screen is normal.

## After Operating Your Heater

- The gas control knob should be in the OFF position.
- The gas tank valve should be OFF.
- Disconnect the gas line.
- The heater should be stored upright in a secure location.



## Operation Checklist

Perform these checks before each use:

1. Read the instruction manual to understand correct operation and precautions.
2. All components are properly assembled, intact and operable.
3. No alterations have been made.
4. All gas connections are secure and do not leak.
5. Wind velocity is below 10 mph.  
( Heater is for use outdoors (outside any enclosure). )
- There is adequate fresh air ventilation.
- \*. Heater is away from gasoline or other flammable liquids or vapors.
- +. Heater is away from windows, air intake openings, sprinklers and other water sources.

11. Heater is situated at least 36 inches on top and 24 inches on sides from combustible materials.

12. Heater is on a hard and level surface.

13. There are no signs of spider or insect nests in the heater.

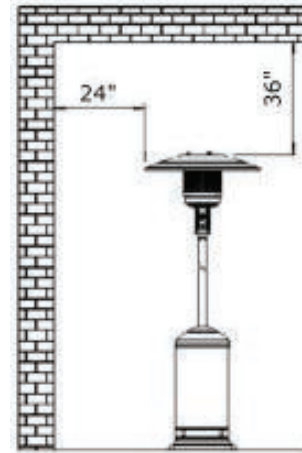
14. All burner passages are clear.

15. All air circulation passages are clear.

16. Children and adults should stay a safe distance away from the heater to avoid burns or clothing ignition. If children are near the heater for any reason, they should be carefully supervised by an adult.

18. Clothing or other protective material should not be hung from the heater, or placed on or near the heater.

19. Any guard or other protective device removed for servicing the heater must be replaced prior to operating the heater.



## Maintaining Your Heater

To enjoy years of outstanding performance from your heater, make sure you perform the following maintenance activities on a regular basis:

- Keep exterior surfaces clean.
- Use soapy water for cleaning. Never use flammable or corrosive cleaning agents.
- While cleaning your unit, be sure to keep the area around the burner and control compartment dry at all times. Do not submerge the control valve assembly. If the gas control is submerged in water, do NOT use it. It must be replaced.
- Installation and repair should be done by a qualified service person. The heater should be inspected before each use and at least annually by a qualified service person.
- More frequent cleaning may be required as necessary. It is imperative that control compartment burner and circulating air passageways of the heater be kept clean and free of debris and/or spider or insect nests.
- Air flow must be unobstructed. Keep controls, burner, and circulating air passageways clean. Signs of possible blockage include:
  - Gas odor with extreme yellow tipping of flame.
  - Heater does NOT reach the desired temperature.
  - Heater glow is excessively uneven.
  - Heater makes popping noise.
  - Spiders and insects can nest in burner or orifices. This dangerous condition can damage heater and render it unsafe for use. Clean burner holes by using a heavy-duty pipe cleaner. Compressed air may help clear away smaller particles.
  - Carbon deposits may create a fire hazard. Clean the dome and burner screen with warm soapy water if any carbon deposits develop.

Note: In a salt-air environment (such as near an ocean), corrosion occurs more quickly than normal. Frequently check for corroded areas and repair them promptly.

Tip (for stainless steel models): Use high-quality automobile wax to help maintain the appearance of your heater. Apply to exterior surfaces from the post down. DO NOT apply to the emitter screen or domes.

## Storing Your Heater

- Disconnect the propane tank.
- Store the heater upright in an area sheltered from direct contact with inclement weather (such as rain, sleet, hail, snow, dust, and debris).

- You can cover your heater to protect the exterior surfaces and to help prevent dirt build-up in air passages. Never leave the propane tank exposed to direct sunlight or excessive heat.

**Note:** Wait until heater is cool before covering.

## Troubleshooting

Problem	Possible Cause	Solution
The main burner won't light	The gas valve may be OFF.	Make sure that the gas valve is ON.
	The LP tank may be empty.	Refill the propane tank.
	The burner orifice may be blocked.	Clean or replace the burner orifice.
	You may have air in the system.	Purge any air from the lines by opening the gas lines and depressing the control knob for two to three minutes.
	A loose connection.	Make sure that all connections and fittings are tight.
	Igniter failure.	Use a stick lighter or match to light the burner.
	The gas pressure is too low with the valve fully open.	Replace the propane tank or the regulator.
	You are lighting a new tank for the first time.	Purge any air from the lines by opening the gas lines and depressing the control knob for two to three minutes.
Low burner flame	The propane tank valve is on but no gas is flowing.	Replace the hose/regulator assembly.
	Low pressure.	Replace the low propane tank with a full one.
	The propane tank is low on fuel.	Replace the low propane tank with a full one.
	The gas hose is kinked.	Check the hose and either straighten or replace it.
Burner unit smoking	Obstructions in the system.	Check for obstructions at passageways and orifices.
	Carbon on the reflector and emitter screen.	Clean the components as needed.
Thick black smoke	Blockage in the burner assembly.	Thoroughly clean the burner.

## Servicing Your Heater

Only a qualified service person should repair gas passages and associated components.

Caution: Always allow heater to cool before attempting service.

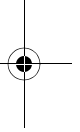
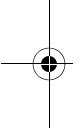
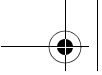
## Specifications

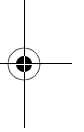
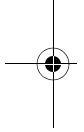
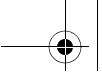
Dimensions (H x W x D)	35.6-39.2 x 25.8 x 27 inches (90.4 - 99.6 x 65.5 x 68.6 cm)
Maximum load weight	225 lbs. (102.1 kg)

You may return this item sold by Amazon.com within 30 days of delivery for a full refund. Amazon.com will pay the return shipping cost if the return is a result of our error. Please note that we are unable to exchange items. Visit [www.amazon.com/help](http://www.amazon.com/help) for more information.

Thank you for choosing this product by Amazon.com.







**amazon**  
basics

V4 14-0979

Made in China