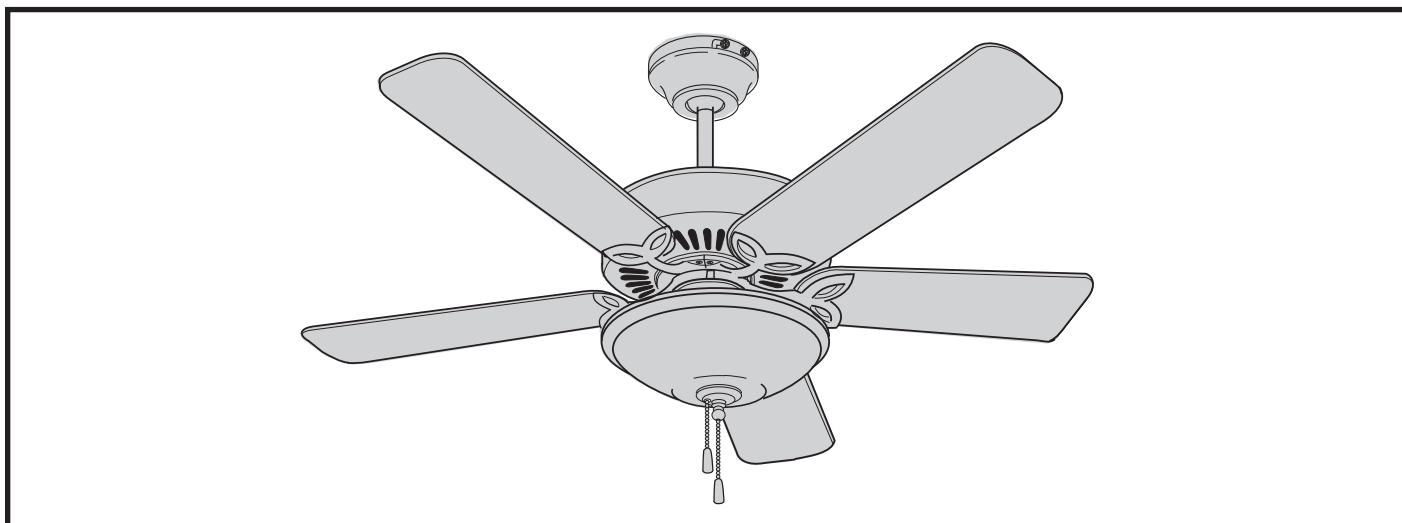


READ AND SAVE THESE INSTRUCTIONS



EMERSON™



PRO SERIES™
50" Ceiling Fan Owner's Manual

Model Numbers

CF712AB02
Antique Brass

CF712AW02
Summer White

CF712BS02
Brushed Steel

CF712ORB02
Oil Rubbed Bronze
with Amber Scavo Glass

CF712WORB02
Oil Rubbed Bronze with Opal
Matte Glass

CF712WW02
Appliance White

Net Weight: 19.0 Lbs.

Questions, problems, missing parts: Before returning to the store call
Emerson Electric Customer Service - 8 a.m. - 6 p.m., Eastern, Monday-Friday

1-800-654-3545

www.emersonfans.com

Part No. F40BP73000007
Revision: 150226

• Español - página 29
• Français - page 57
Form No. BP7300-7
U.L. Model No.: 52-ANT

Table of Contents

Section	Page	Section	Page
Safety Instructions	2	11. Installing the Fan Blades	16
1. Unpacking Instructions	3-4	12. Installing the Light Fitter	17-20
2. Electrical Requirements	4	13. Using Your Ceiling Fan	21
3. Removal of the Hanger Bracket	5	14. Maintenance	22
4. Installing the Hanger Ball/Downrod Assembly (Standard)	6-7	15. Accessories	22
5. Installing the Ceiling Cover on the Fan Motor Housing (Close-to-Ceiling)	8-9	16. Instruction to the User	22
6. How to Hang Your Ceiling Fan	10-11	17. Trouble Shooting	23
7. Hanging the Ceiling Fan (Standard)	11	18. Repair Parts	24-25
8. Hanging the Ceiling Fan (Close-to-Ceiling)	12	Ceiling Fan Limited Warranty	27
9. How to Wire Your Ceiling Fan	13-14	Spanish	29
10. Installing the Ceiling Cover	15	French	57

READ AND SAVE THESE INSTRUCTIONS

Safety Instructions

WARNING

TO REDUCE THE RISK OF FIRE, ELECTRICAL SHOCK, OR INJURY TO PERSONS, OBSERVE THE FOLLOWING:

- Use this unit only in a manner intended by the manufacturer. If you have questions, contact the manufacturer.
- Before servicing or cleaning unit, switch power off at service panel and lock service panel disconnecting means to prevent power from being switched on accidentally. When the service disconnecting means cannot be locked, securely fasten a warning device, such as a tag, to the service panel.

- Read your owner's manual carefully and keep it for future reference.
- Be careful of the fan and blades when cleaning, painting, or working near the fan. Always turn off the power to the ceiling fan before servicing.
- Do not put anything into the fan blades while they are turning.
- Do not operate reversing switch until fan blades have come to a complete stop.

Additional Safety Instructions for Installation

- To avoid possible shock, be sure electricity is turned off at the fuse box before wiring, and do not operate fan without blades.
- All wiring must be in accordance with the National Electrical Code "ANSI/NFPA 70-2014" and Local Electrical Codes. Use the National Electrical Code if Local Codes do not exist. The ceiling fan must be grounded as a precaution against possible electrical shock. Electrical installation should be made or approved by a licensed electrician.

- The outlet box and joist must be securely mounted and capable of reliably supporting at least 50 pounds. Use only U.L. outlet boxes listed as "Acceptable for Fan Support of 22.7 kg. (50 lbs.) or less", and use the mounting screws provided with the outlet box. Most outlet boxes commonly used for support of light fixtures are not acceptable for fan support and may need to be replaced. Consult a qualified electrician if in doubt.
- The downrod furnished with the fan provides the minimum recommended floor to fan blade clearance for an 8 foot ceiling.
- The fan must be mounted with the fan blades at least 7 feet from the floor to prevent accidental contact with the fan blades.
- Follow the recommended instructions for the proper method of wiring your ceiling fan. If you do not know enough about electrical wiring, have your fan installed by a licensed electrician.

WARNING: To reduce the risk of electrical shock, this fan must be installed with an isolating wall control/switch.

WARNING: To avoid fire, shock or injury, do not use an Emerson or any other brand of control not specifically approved for this fan.

WARNING: This product is designed to use only those parts supplied with this product and/or any accessories designated specifically for use this product by Emerson Electric Co. Substitution of parts or accessories not designated for use with this product by Emerson could result in personal injury or property damage.

WARNING: To reduce the risk of personal injury, do not bend the blade flange when installing the blade flanges, balancing the blades or cleaning the fan. Do not insert foreign objects in between rotating fan blades.

NOTE: All setscrews must be checked and re-tightened where necessary before installation.

DATE CODE: _____

The date code of this fan may be found on the box, stamped in ink on a white label. You should record this data above and keep it in a safe place for future use.

1. Unpacking Instructions

⚠ WARNING

Do not install or use fan if any part is damaged or missing. Call Toll-Free:

1-800-654-3545

⚠ WARNING

This product is designed to use only those parts supplied with this product and/or any accessories designated specifically for use with this product by Emerson Electric Co. Substitution of parts or accessories not designated for use with this product by Emerson Electric Co. could result in personal injury or property damage.

1.1

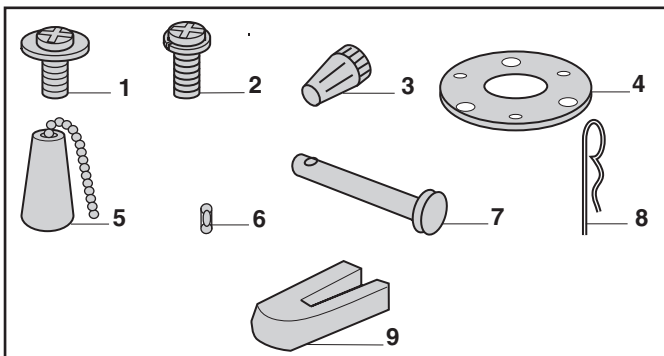
Open carton containing fan. Remove top half of styrofoam unit. Remove parts and check to see that you have received the following parts:

NOTE: If you are uncertain of part description, refer to exploded view illustration.

NOTE: Place the parts from the loose parts bags in a small container to keep them from being lost. If any parts are missing, call 1-800-654-3545 for replacement parts before proceeding.

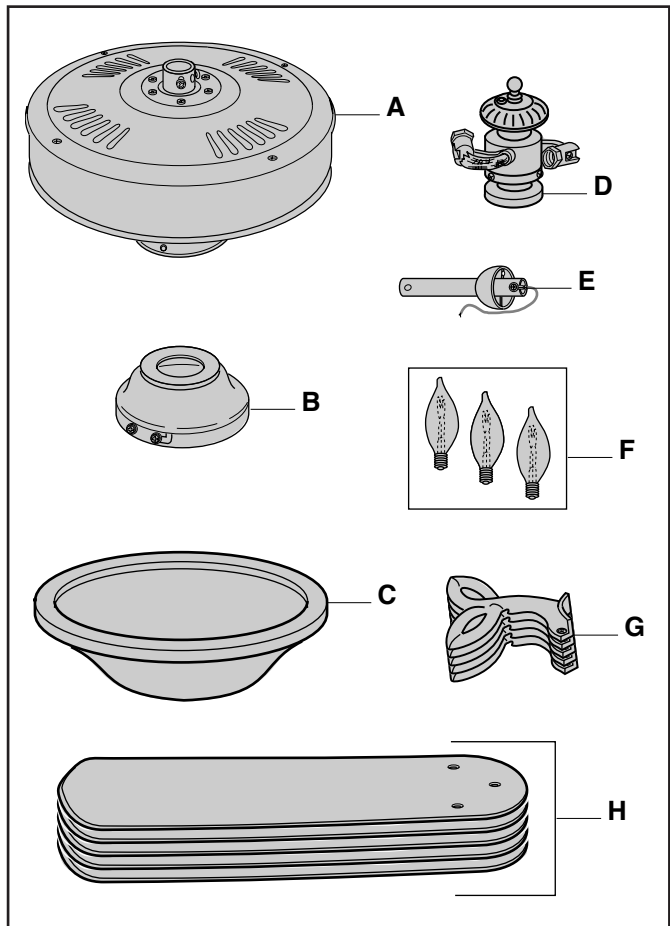
HARDWARE CONTENTS

Part	Description	Quantity
1	M5 x 16mm Washer Head Blade Screws	16
2	Phillips Round Head Flange Screw with Lockwasher	1
3	Wire Connectors, 12 ga.	3
4	Rubber Gasket	1
5	Wood Pendants	2
6	Couplings	2
7	Clevis Pin	1
8	Hairpin Clip	1
9	Blade Balance Kit	1



PACKAGE CONTENTS

Part	Description	Quantity
A	Fan Motor Assembly	1
B	Ceiling Cover with Hanger Bracket	1
C	Glass Bowl	1
D	Light Fitter	1
E	Hanger Ball / 4.5" Downrod Assembly	1
F	60-Watt (max.) Candelabra Base Bulbs	3
G	Blade Flanges	5
H	Fan Blades	5



1.2

Remove the fan housing assembly from the protective plastic bag. Turn the upper styrofoam pad over and carefully place the fan motor assembly into the recess in the pad with the top of the motor facing up.

1. Unpacking Instructions (Continued)

This Manual Is Designed to Make it as Easy as Possible for You to Assemble, Install, Operate and Maintain Your Ceiling Fan

Tools Needed for Assembly

One Phillips head screwdriver One stepladder
One 1/4" blade screwdriver One wire stripper
Three wire connectors (supplied).

Materials

Wiring outlet box and box connectors must be of type required by the local code. The minimum wire would be a 3-conductor (2-wire with ground) of following size:

<u>Installed Wire Length</u>	<u>Wire Size A.W.G.</u>
Up to 50 ft.	14
50-100 ft.	12

WARNING

Before assembling your ceiling fan, refer to section on proper method of wiring your fan (page 13). If you feel you do not have enough wiring knowledge or experience, have your fan installed by a licensed electrician.

Controls Sold Separately

SW46 Wall Control and SW90 Wall Control (both sold separately) may be used with this 50" PRO Series Ceiling Fan. Controls are recommended for indoor use only.

2. Electrical Requirements

Your new ceiling fan will require a grounded electrical supply line of 120 volts AC, 60 Hz, 15 amp circuit.

WARNING

To reduce the risk of fire, electric shock, or personal injury, mount fan to outlet box marked "Acceptable for Fan Support of 22.7 kg. (50 lbs.) or less", and use screws supplied with outlet box. Most outlet boxes commonly used for support of light fixtures are not acceptable for fan support and may need to be replaced. Consult a qualified electrician if in doubt.

WARNING

Turning off wall switch is not sufficient. To avoid possible electrical shock, be sure electricity is turned off at the main fuse box before wiring. All wiring must be in accordance with National and Local codes and the ceiling fan must be properly grounded as a precaution against possible electrical shock.

The outlet box must be securely anchored and capable of withstanding a load of at least 50 pounds.

If your fan is to replace an existing ceiling light fixture, turn electricity off at the main fuse box at this time and remove the existing light fixture.

WARNING

To avoid fire or shock, follow all wiring instructions carefully.

Any electrical work not described in these instructions should be done or approved by a licensed electrician.

Please call Emerson technical support at 1-800-654-3545 if you have any questions about installation and operation of this ceiling fan.

IMPORTANT

Your ceiling fan is designed to be installed either in the standard manner, or in the close-to-the-ceiling manner. Using the standard method, the hanger ball/downrod assembly will suspend the fan several inches below the ceiling cover. Using the close-to-the-ceiling method, the ceiling cover installs directly on the fan motor housing, thus mounting the fan 3-1/2 inches closer to the ceiling than the standard method. In no case should the fan blades be lower than seven feet above the floor. Depending on your desired mounting method, proceed to "INSTALLING HANGER BALL/DOWNROD ASSEMBLY" for standard mounting, or to "INSTALLING CEILING COVER ON FAN MOTOR HOUSING" for close-to-the-ceiling mounting.

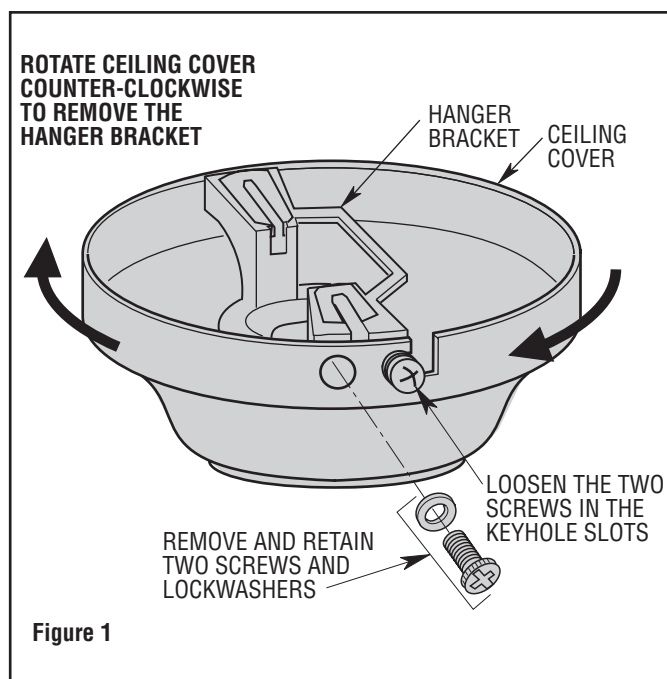
3. Removal of the Hanger Bracket

3.1

Loosen the two screws in the keyhole slots of the ceiling cover.

Remove and retain the other two screws and lockwashers (Figure 1).

Turn the ceiling cover and remove the hanger bracket.



4. Installing the Hanger Ball/Downrod Assembly (For Standard Mounting)

4.1

Pass the 42" motor leads through the opening in the ceiling cover.

Be sure the cover is oriented correctly (Figure 2).

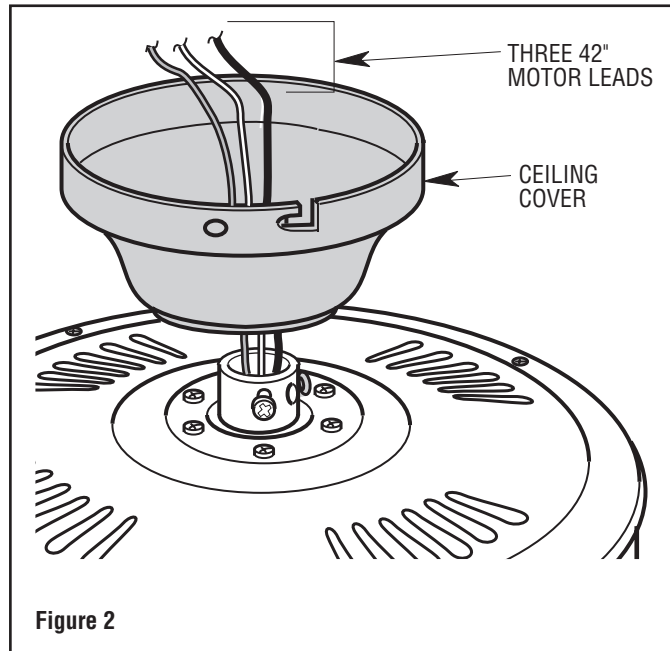


Figure 2

4.2

Separate, untwist and unkink the three motor leads. Route the motor leads through the hanger ball/downrod assembly (Figure 3).

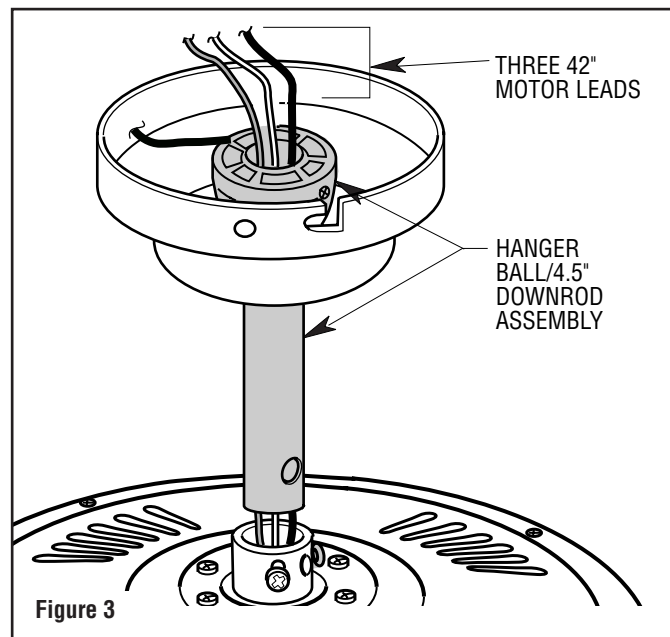


Figure 3

4. Installing the Hanger Ball/Downrod Assembly (For Standard Mounting) (Continued)

4.3

Loosen the two setscrews in the motor coupling.

Place the hanger ball/downrod assembly into the motor coupling, aligning the clevis pin holes in the downrod with the holes in the motor coupling (Figure 4).

The clevis pin must go through the holes in the motor coupling and the holes in the downrod.

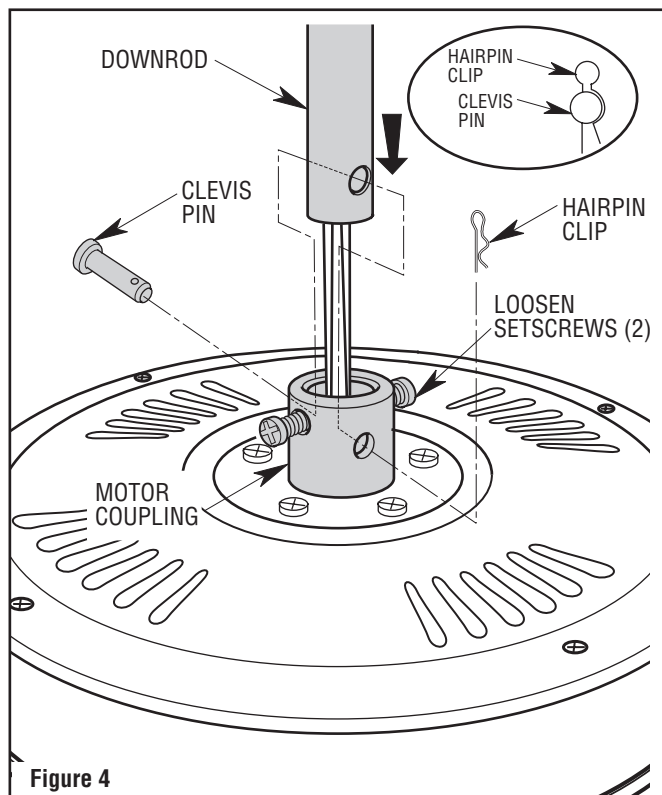
Be sure to push the straight leg of the hairpin clip through the hole near the end of the clevis pin until the curved portion of the hairpin clip snaps around the clevis pin.

The hairpin clip must be properly installed to prevent the clevis pin from working loose.

Pull on the hanger ball to make sure the clevis pin is properly installed.

WARNING

It is critical that the clevis pin in the motor coupling is properly installed. Failure to verify that the pin is properly installed could result in the fan falling.



4.4

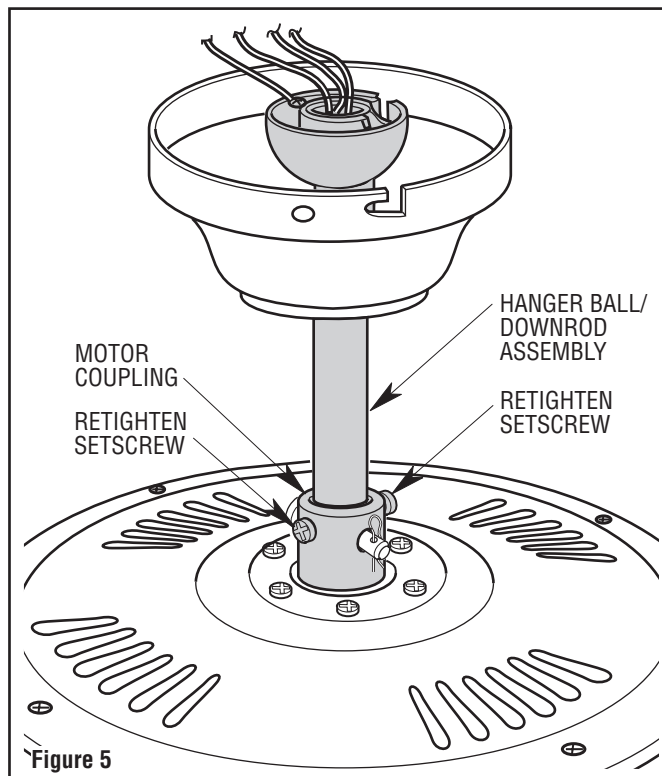
While pulling up on the hanger ball, retighten the two setscrews (previously loosened) in the motor coupling to secure the hanger ball/downrod assembly into place (Figure 5).

NOTE: The setscrews must be properly installed as described above, or fan wobble could result.

WARNING

It is critical that the setscrews are securely tightened. Failure to verify that the setscrews are properly installed could result in the fan falling.

NOTE: For hanging instructions using Hanger Ball/Downrod Assembly, See Page 11, Section 6. Hanging the Ceiling Fan (Standard Method Using Hanger Ball/Downrod).

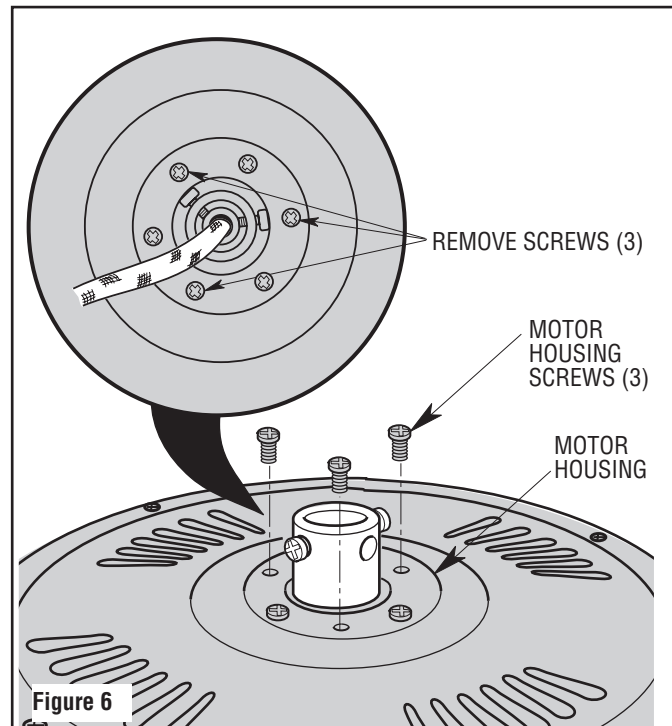


5. Installing the Ceiling Cover on the Fan Motor Housing (For Close-to-the-Ceiling Mounting)

5.1

Remove three motor housing screws (every other screw as illustrated) from the top of the motor housing (Figure 6).

Retain the three motor housing screws for future use.

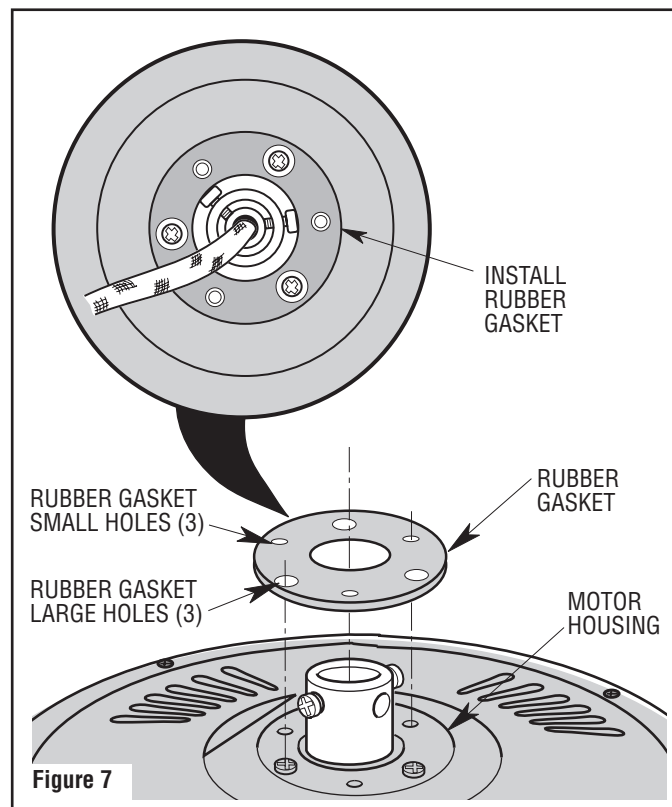


5.2

Position the rubber gasket (supplied in parts bag) on the motor housing.

The three small holes in the gasket should center over the holes in the motor housing where the three screws were previously removed (Figure 7).

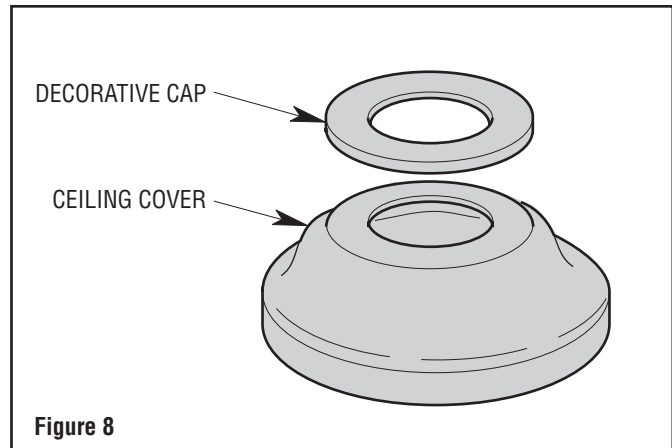
The three large holes in the gasket should center over the three screws still installed in the motor housing.



5. Installing the Ceiling Cover on the Fan Motor Housing (For Close-to-the-Ceiling Mounting) (Continued)

5.3

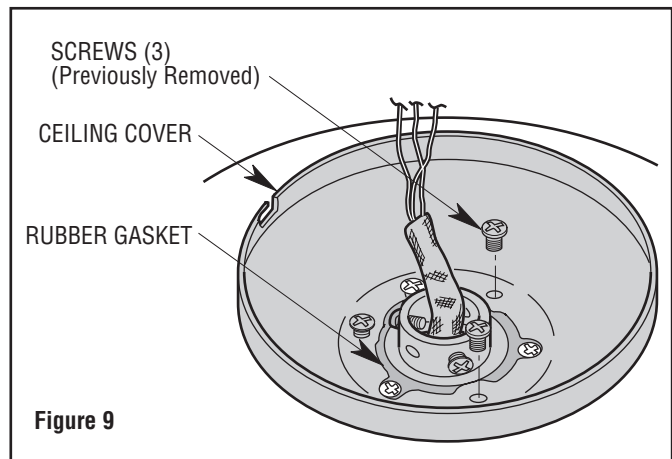
Gently pry the decorative cap from the ceiling cover (Figure 8).



5.4

Align the holes in the ceiling cover with the holes in the motor housing and secure using the three screws previously removed in Step 5.1 (Figure 9).

NOTE: For hanging instructions using the Close-to-the-Ceiling Method, See Page 12, Section 8. Hanging the Ceiling Fan (Close-to-the-Ceiling Method with Ceiling Cover Installed on the Motor Housing).

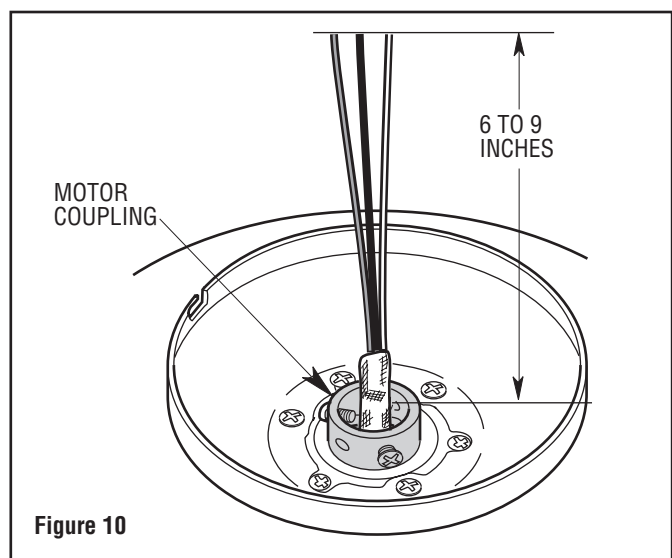


5.5

The fan comes with blue, black and white leads that are 42" long.

Measure up approximately 6 to 9-inches above the motor coupling (Figure 10).

Cut off excess leads and strip back insulation 1/2-inch from ends of leads.



6. How to Hang Your Ceiling Fan

WARNING

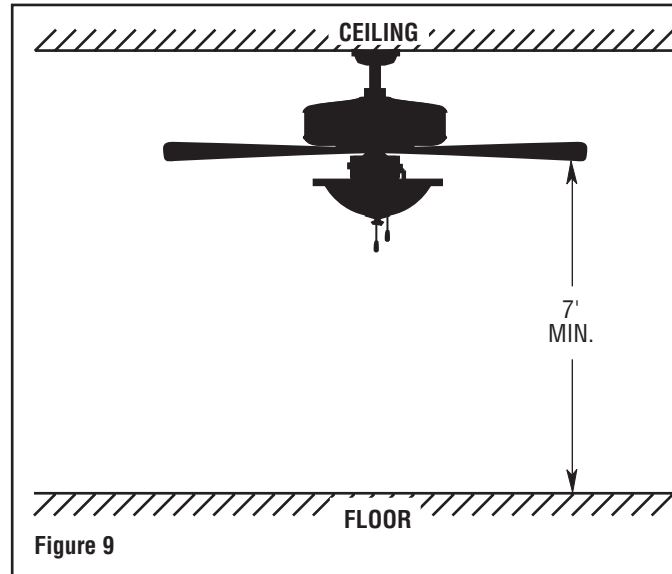
The fan must be hung with at least 7' of clearance from floor to blades (Figure 9).

WARNING

The outlet box and joist must be securely mounted and capable of supporting at least 50 lbs. Use only a U.L. outlet box listed as "Acceptable for Fan Support of 22.7 kg. (50 lbs.) or less".

WARNING

To reduce the risk of fire, electric shock, or personal injury, mount fan to outlet box marked "Acceptable for Fan Support of 22.7 kg. (50 lbs.) or less", and use screws supplied with outlet box. Most outlet boxes commonly used for support of light fixtures are not acceptable for fan support and may need to be replaced. Consult a qualified electrician if in doubt.



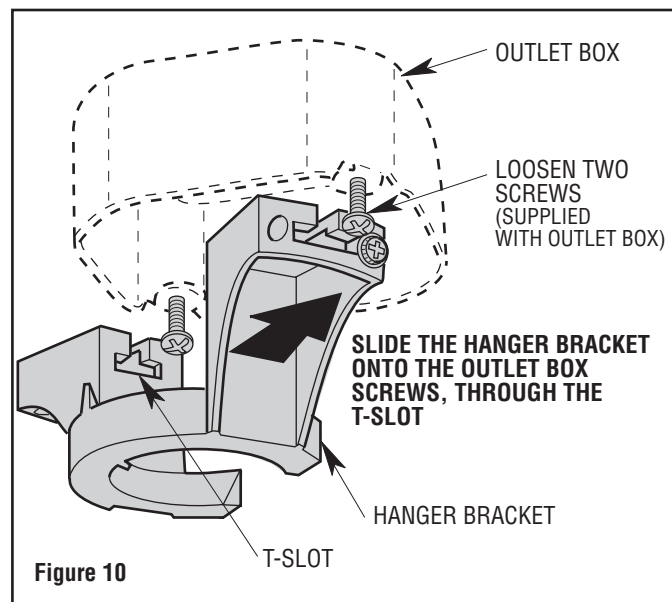
6.1

Unscrew (but do not remove) the two mounting screws in the outlet box (Figure 10).

Position the hanger bracket on the outlet box so that the T-slots in the hanger bracket are aligned with the outlet box screws.

WARNING

Turning off wall switch is not sufficient. To avoid possible electrical shock, be sure electricity is turned off at the main fuse box before wiring. All wiring must be in accordance with National and Local codes and the ceiling fan must be properly grounded as a precaution against possible electrical shock.



6. How to Hang Your Ceiling Fan (Continued)

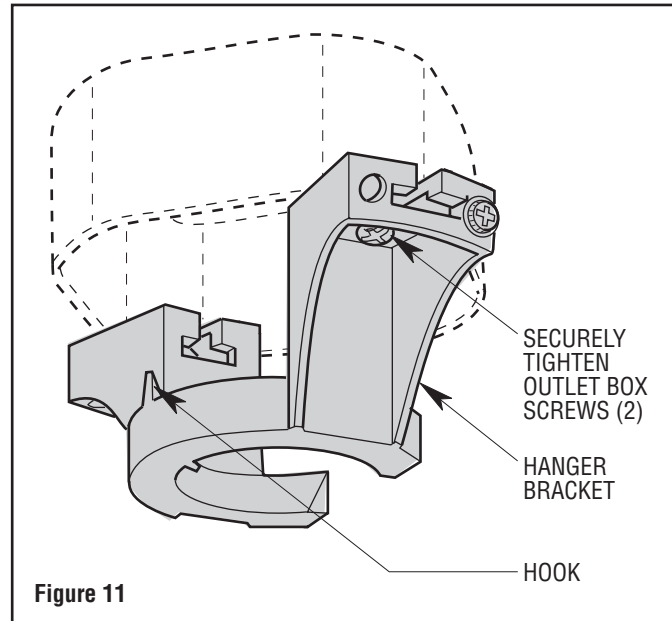
6.2

NOTE: The hanger bracket must be mounted flush with the ceiling in order for the ceiling cover to install properly. If necessary, use leveling washers (not supplied) between the outlet box and the hanger bracket.

Slide the hanger bracket onto the outlet box screws. Center the bracket over the outlet box and then securely tighten the screws (Figure 11).

WARNING

Hanger bracket must seat firmly against outlet box. If the outlet box is recessed, use leveling washers between the hanger bracket and the outlet box until the bracket is flush with the ceiling. If bracket and/or outlet box are not securely attached, the fan could wobble or fall.



7. Hanging the Ceiling Fan (Standard Method Using Hanger Ball/Downrod)

7.1

Carefully lift the fan assembly and seat the hanger ball in the hanger bracket (Figure 12).

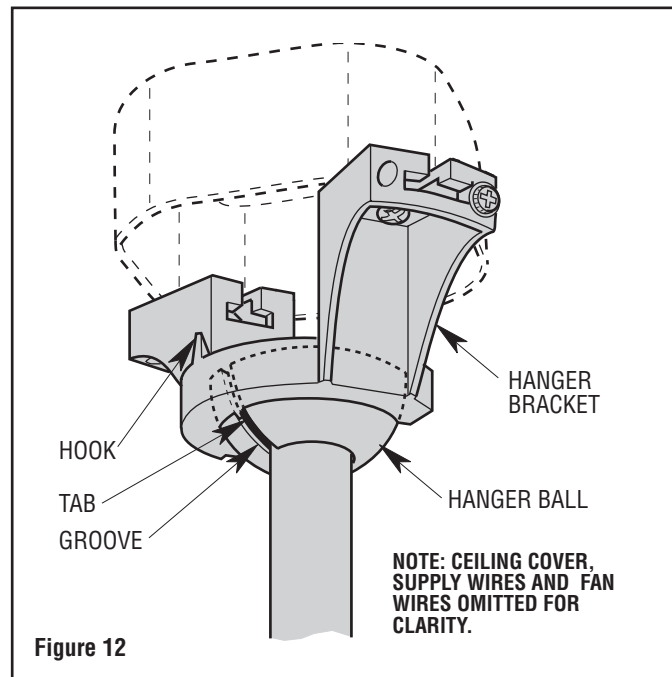
The tab on the hanger bracket must seat in the groove in the hanger ball.

WARNING

Failure to seat tab in groove could cause damage to electrical wires and possible shock or fire hazard.

WARNING

To avoid fire or shock, do not pinch wires between the hanger ball/downrod assembly and hanger bracket.



8. Hanging the Ceiling Fan (Close-to-the-Ceiling Method with Ceiling Cover Installed on the Motor Housing)

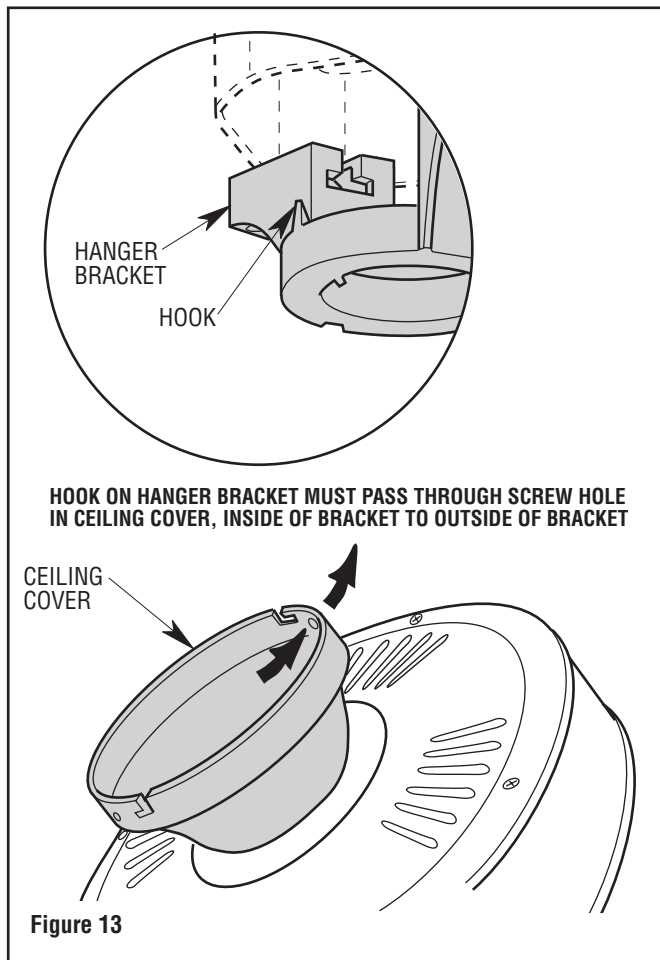
8.1

Carefully lift the fan assembly up to the hanger bracket. Pass the hook on the hanger bracket (Figure 13) through one of the screw holes (not the slots) in the ceiling cover (Figure 13).

The hook must pass from the inside of the ceiling cover to the outside. The hook will hold the fan assembly while connecting the wiring.

WARNING

The hook must pass through the screw hole in the ceiling cover from the inside to the outside. Any other hanging method may cause the hook to break and the fan to fall.



9. How to Wire Your Ceiling Fan

The following instructions show that the Hanger Ball/Downrod Assembly and the Close-To-The-Ceiling Assembly wiring instructions are the same.

9.1

If you feel that you do not have enough electrical wiring knowledge or experience, have your fan installed by a licensed electrician.

⚠ WARNING

Turning off wall switch is not sufficient. To avoid possible electrical shock, be sure electricity is turned off at the main fuse box before wiring. All wiring must be in accordance with National and Local codes and the ceiling fan must be properly grounded as a precaution against possible electrical shock.

Connect the green grounding lead from the hanger ball and the green grounding lead from the hanger bracket to the grounding conductor of supply (this may be a bare wire or wire with green colored insulation) (Figure 14). Securely connect wires using wire connectors supplied.

NOTE: When wiring the ceiling fan for close-to-the-ceiling mounting, there will be no green grounding lead from the hanger ball.

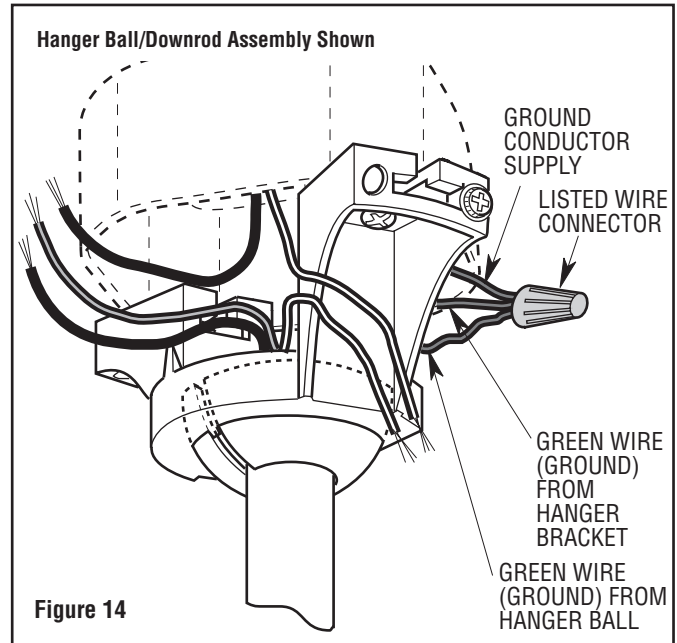


Figure 14

⚠ WARNING

To avoid possible electrical shock, be sure electricity is turned off at the main fuse box before wiring.

NOTE: If you are not sure if the outlet box is grounded, contact a licensed electrician for advice, as it must be grounded for safe operation.

9.2

Securely connect the fan motor white wire to the supply white (neutral) wire using wire connector supplied (Figure 15).

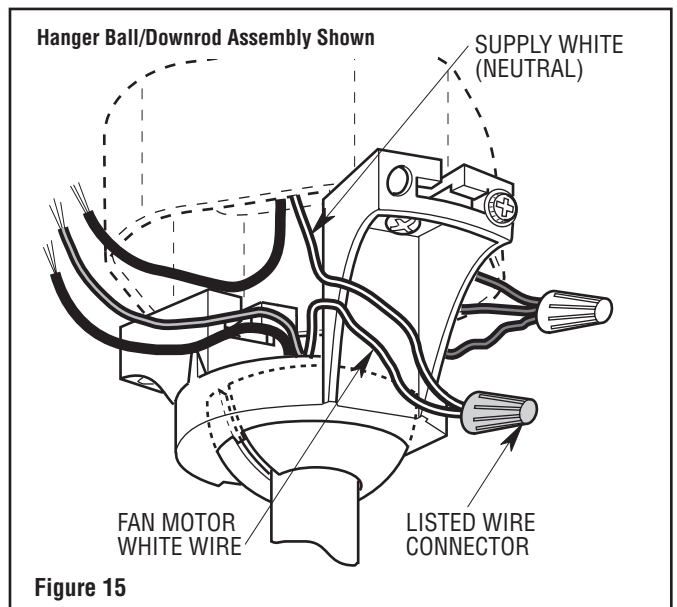
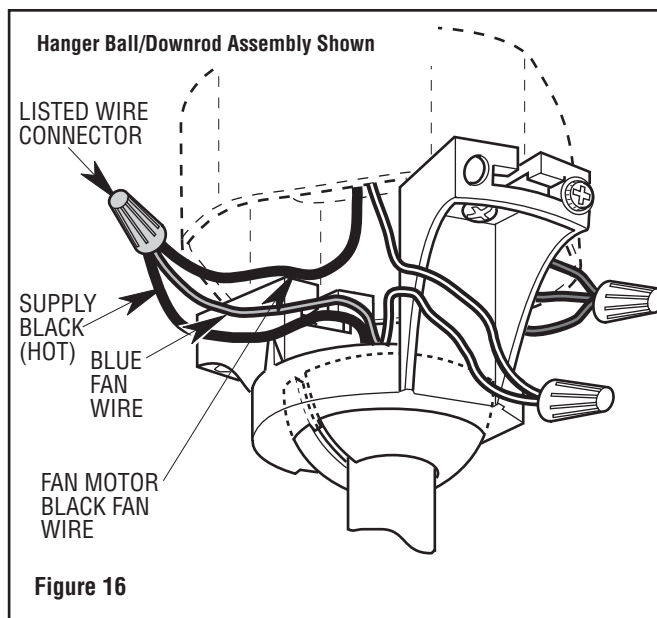


Figure 15

9. How to Wire Your Ceiling Fan (Continued)

9.3

Securely connect the fan motor black wire and blue wire to the supply black (hot) wire using wire connector supplied (Figure 16).

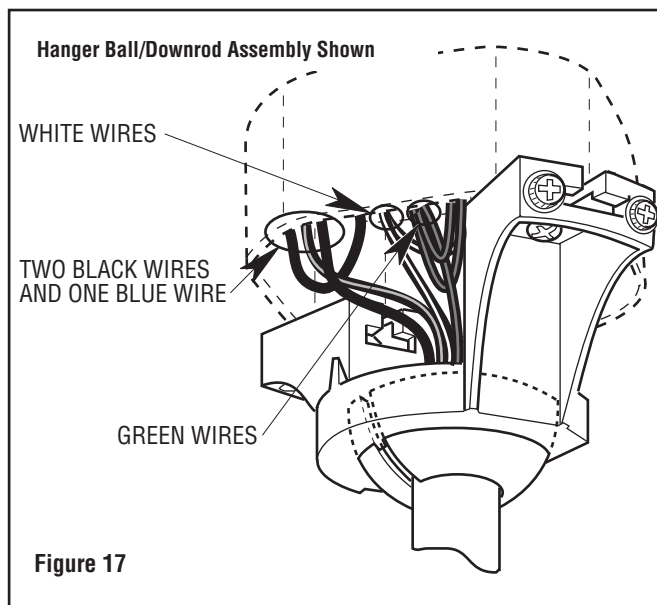


9.4

After connections have been made, turn leads upward and carefully push leads into the outlet box, with the white and green leads on one side of the outlet box and black leads on the other side of the outlet box (Figure 17).

⚠ WARNING

Check to see that all connections are tight, including ground, and that no bare wire is visible at the wire connectors, except for the ground wire. Do not operate fan until blades are in place. Noise and fan damage could result.

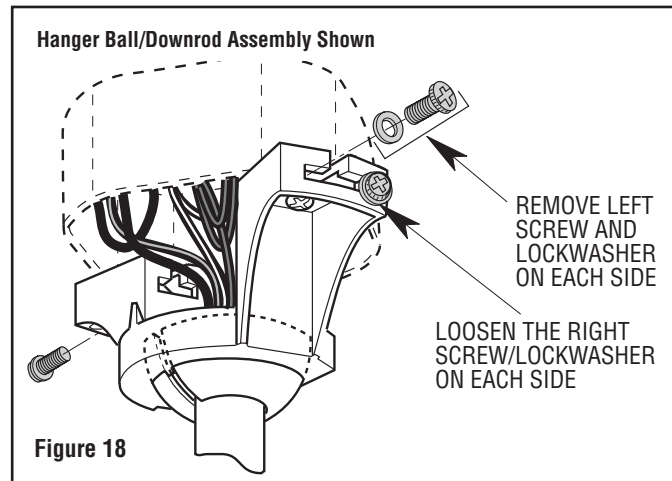


10. Installing the Ceiling Cover

10.1

Remove the left screw and lockwasher from each side of the hanger bracket (Figure 18) and loosen the other two screws.

NOTE: When installing the ceiling fan using the close-to-the-ceiling method, carefully lift the fan assembly from the hook on the hanger bracket and proceed as follows.



10.2

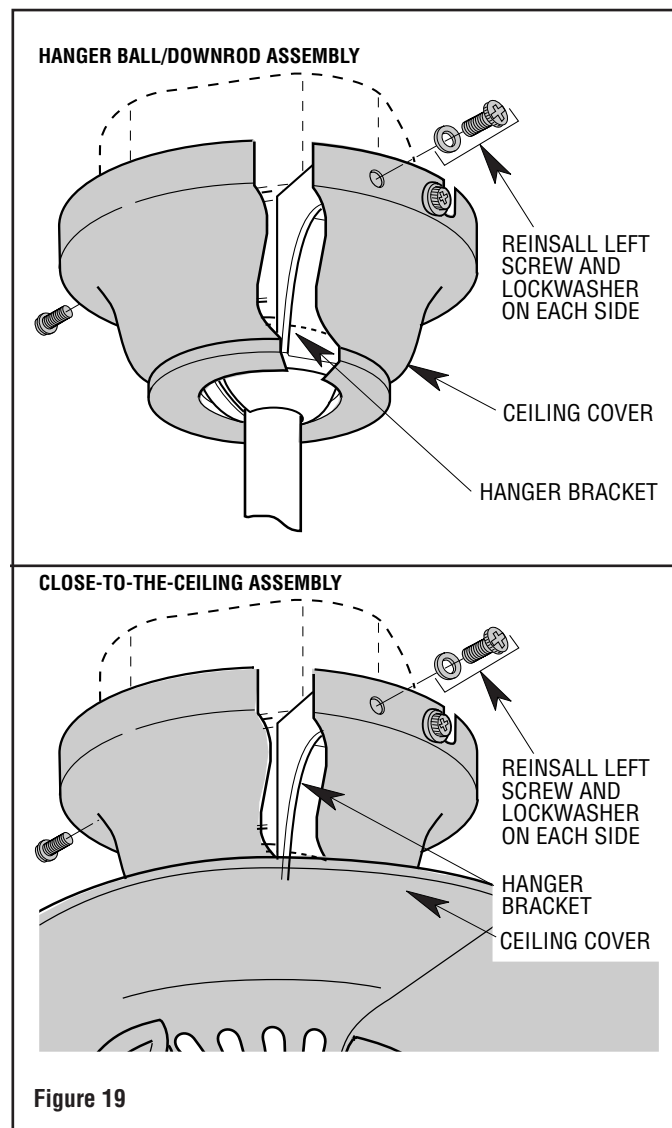
Lift the ceiling cover up to the hanger bracket. Engage the slots in the ceiling cover with the loosened screws in the bracket and turn the cover counterclockwise (Figure 19).

Be sure that the lockwashers are between the screw heads and the ceiling cover.

Install the other two screws and lockwashers; tighten all screws securely.

WARNING

To avoid possible fire or shock, make sure that the electrical wires are completely inside the outlet box and not pinched between the ceiling cover and the ceiling.



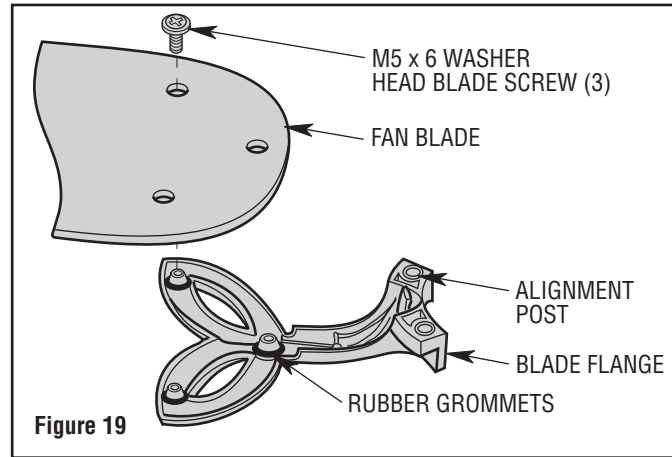
11. Installing the Fan Blades

11.1

WARNING

To reduce the risk of personal injury, do not bend the blade flanges when installing the flanges, balancing the blades, or cleaning the fan. Do not insert foreign objects between rotating fan blades.

Make sure the three rubber grommets are firmly seated on each of the blade flanges. Then mount the blade flanges to the fan blades using three M5 x 6 washer head blade screws per blade (Figure 19).

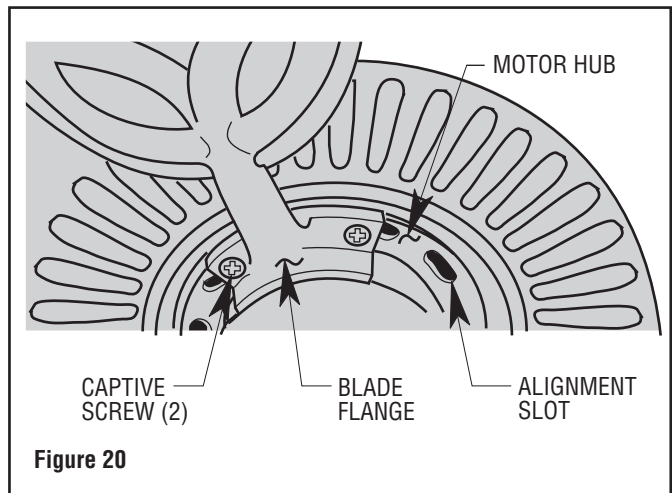


11.2

Mount one blade assembly to the motor hub by mating the alignment post (Figure 20) of the flange with one of the alignment slots in the motor hub (Figure 20).

Then tighten the two captive screws in the flange to secure the flange to the motor hub.

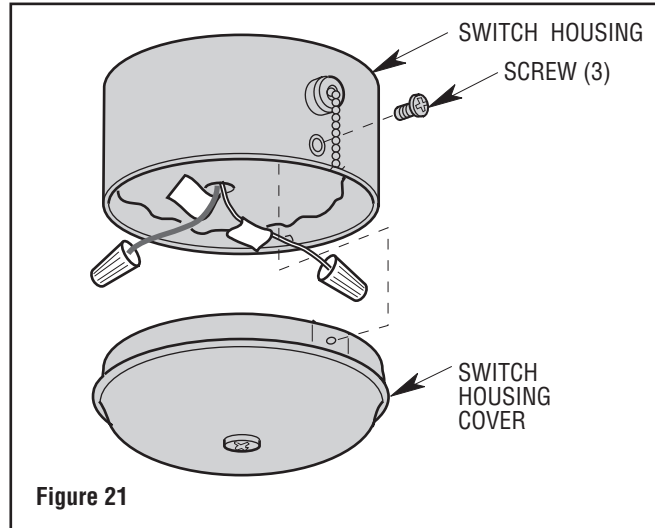
Repeat this procedure for the other four blade assemblies. Make sure all screws are tightened.



12. Installing the Light Fitter and Glass

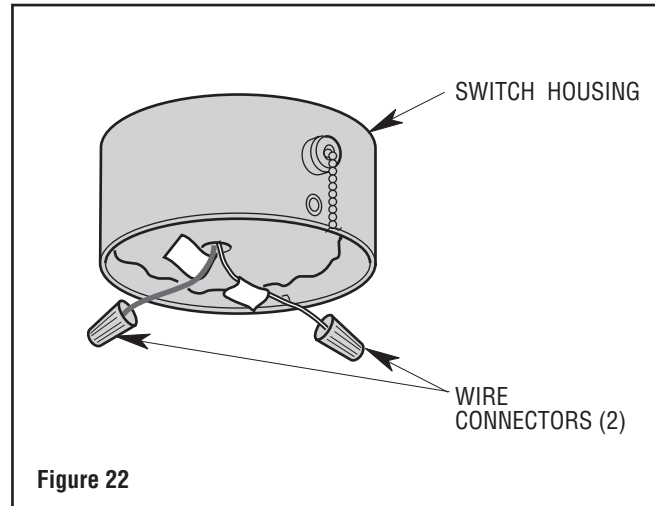
12.1

Remove and retain the three screws securing the switch housing cover to the switch housing. (Figure 21)



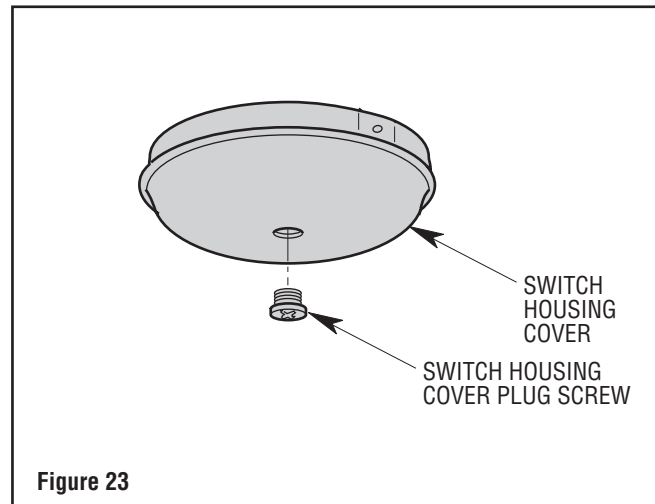
12.2

Remove and retain the two wire connectors in the switch housing (Figure 22).



12.3

Remove plug screw (Figure 23).

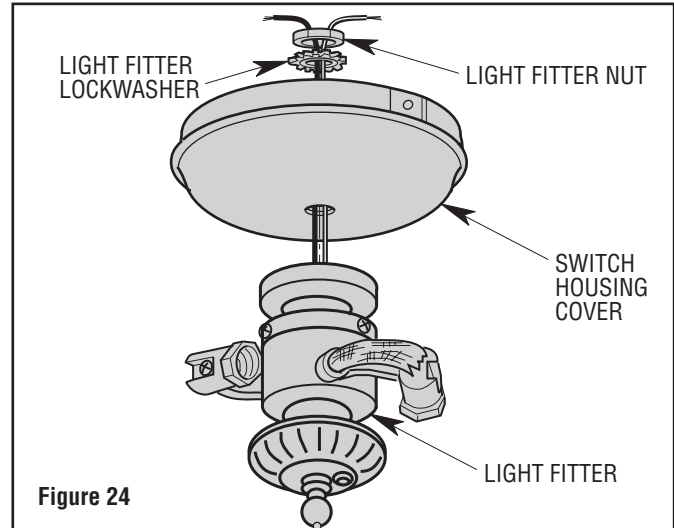


12. Installing the Light Fitter and Glass (Continued)

12.4

Remove and retain the lockwasher and nut from the light fitter (Figure 24).

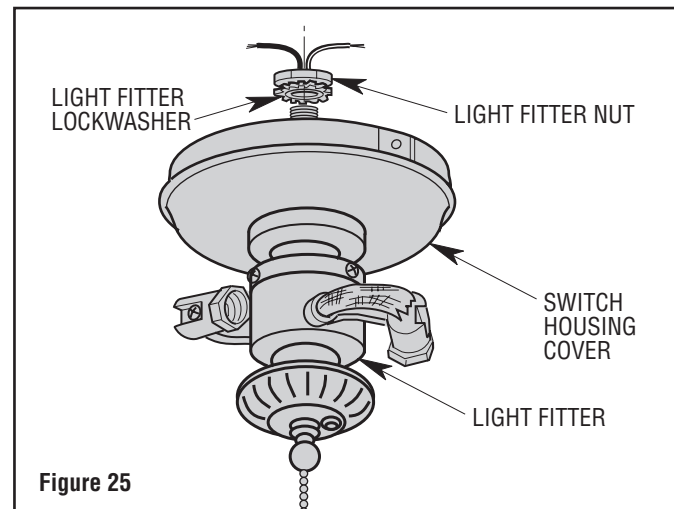
Insert the black and white wires from the light fitter through the center hole in the switch housing cover (Figure 24).



12.5

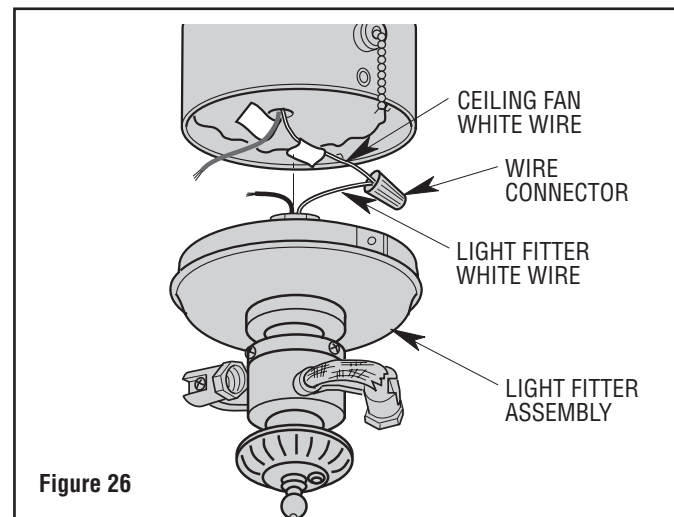
Thread the switch housing cover onto the light fitter (Figure 25).

Reinstall the lockwasher and nut and tighten securely (Figure 25).



12.6

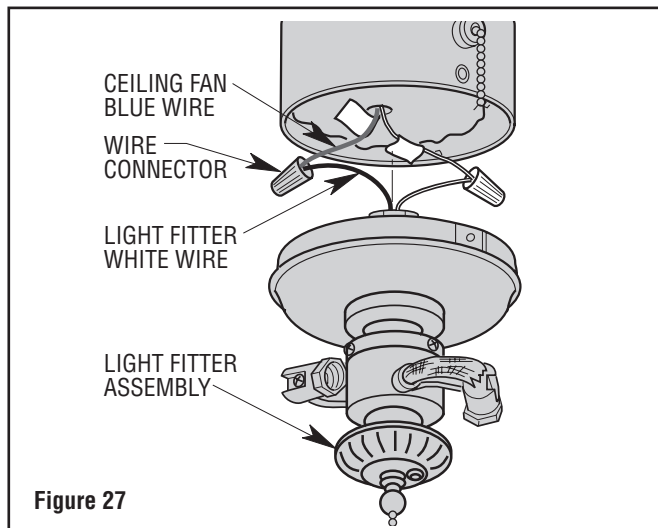
Connect the white wire from the ceiling fan to the white wire of the light fitter using the previously removed wire connector (Figure 26).



12. Installing the Light Fitter and Glass (Continued)

12.7

Connect the blue wire from the ceiling fan to the black wire of the light fitter. Use wire connector (previously removed) to make the connection (Figure 27).



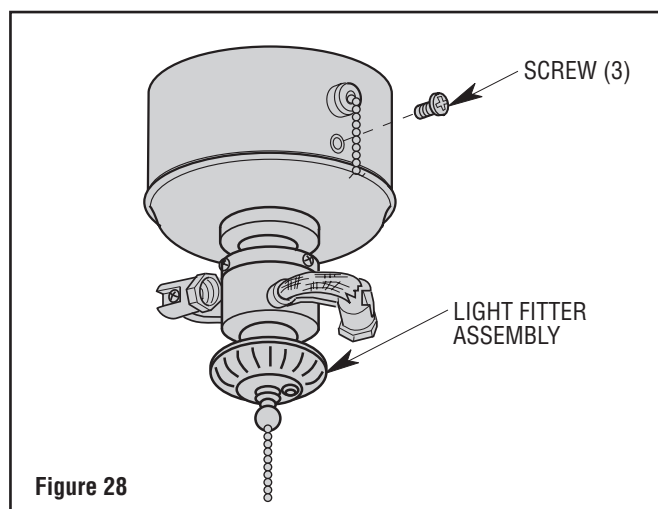
12.8

Carefully tuck all wires and splices into the switch housing.

Attach the switch housing cover with light fitter (light kit assembly) to the switch housing using the three previously removed screws (Figure 28).

WARNING

To avoid fire or electrical shock, be careful not to pinch wires between the switch housing assembly and the cover.

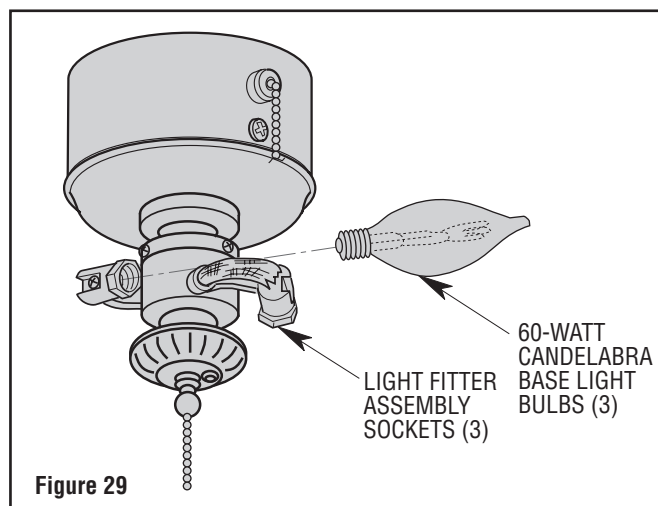


12.9

Install three 60-watt (maximum) candelabra base light bulbs (supplied) into the light fitter sockets (Figure 29).

WARNING

Over lamping the fan will result in the lamps being automatically shut off. Use only 60 watt maximum candelabra base bulbs. Turn off the electricity before replacing the bulbs.

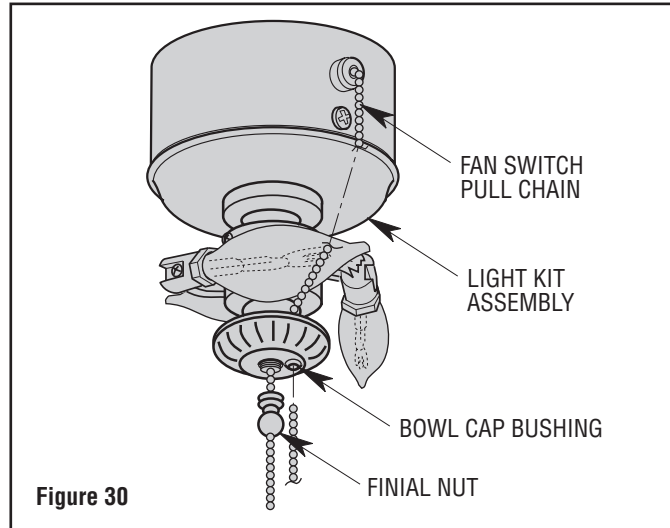


12. Installing the Light Fitter and Glass (Continued)

12.10

Remove the finial nut and outer bowl cap from the light kit assembly (Figure 30).

Pass the fan switch pull chain through the bushing in the bowl cap (Figure 30).



WARNING

To avoid possible fire hazard, do not exceed wattage indicated on the fitter.

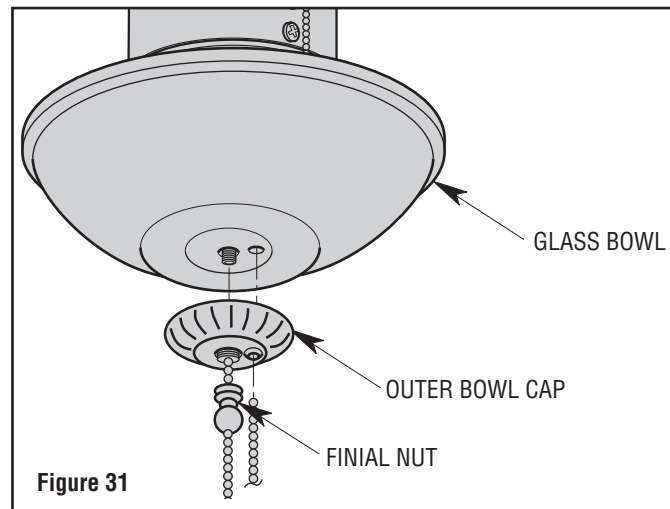
12.11

Position the glass bowl over the threaded nipple and seat bowl on bowl cap (Figure 31).

Pass the fan pull chain through the bushing in the outer bowl cap and install the cap on the threaded nipple. Install finial nut finger tight.

CAUTION

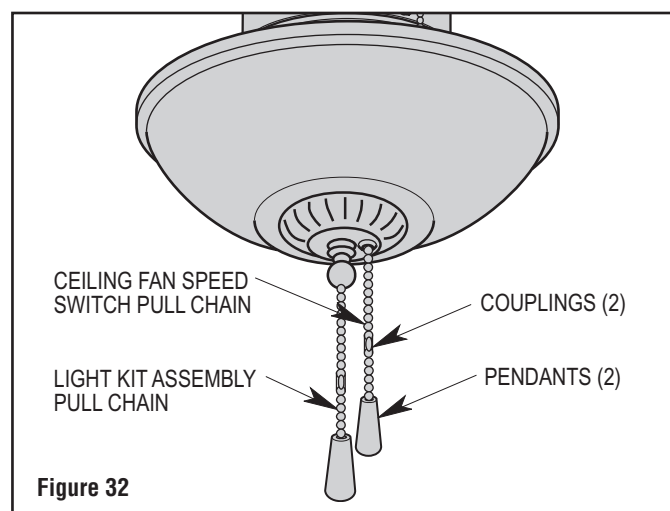
Be sure that the fan switch chain does not make contact with the light bulbs. If necessary reposition the light fitter to avoid the fan switch chain from touching the light bulbs.



12.12

Install pendants onto light kit assembly pull chain and ceiling fan speed switch pull chain using couplings provided (Figure 32).

NOTE: It is advisable to periodically check the tightness of the finial.



13. Using Your Ceiling Fan

13.1

Restore electrical power to the outlet box by turning the electricity on at the main fuse box.

Check the operation of the fan by gently pulling on the light kit assembly pull chain.

Your fan is shipped from the factory with the reversing switch positioned to circulate air downward. If airflow is desired in opposite direction, turn the fan off and wait for the blades to stop turning, then slide the reversing switch to the opposite position, and turn the fan on again (Figure 33).

The fan blades will turn in the opposite direction and reverse the airflow.

Reverse Switch Information

Season	Rotation Direction	Switch Position
Summer	Counter-Clockwise	Up
Winter	Clockwise	Down

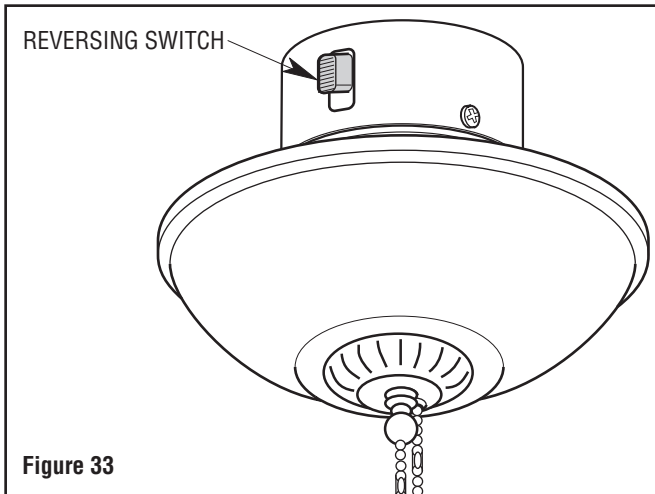


Figure 33

⚠ WARNING

To reduce the risk of fire or electrical shock, do not use this fan with any solid-state speed control device.

13.2

Your fan model is equipped with a 4-position, 3-speed pull chain switch (Figure 34). The operating sequence is as follows:

Three-Speed

1st Pull—HIGH

2nd Pull—Medium

3rd Pull—Low

4th Pull—OFF

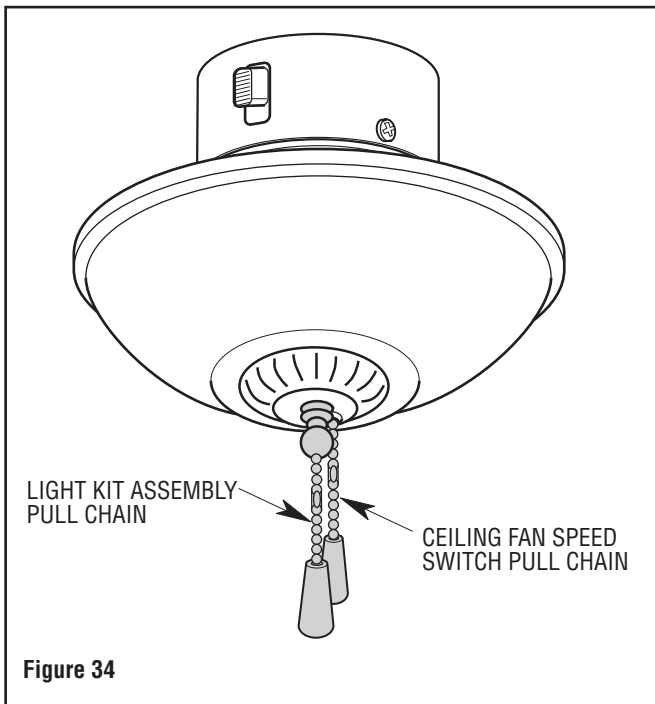


Figure 34

14. Maintenance

IMPORTANT CARE INSTRUCTIONS for your Ceiling Fan

Periodic cleaning of your new ceiling fan is the only maintenance that is needed.

When cleaning, use only a soft brush or lint free cloth to avoid scratching the finish.

Abrasive cleaning agents are not required and should be avoided to prevent damage to finish.

WARNING

Do not use water when cleaning your ceiling fan. It could damage the motor or the blades and create the possibility of an electrical shock.

15. Accessories

Ceiling Fan/Light Controls (see store or catalog).
Downrod Extension Kits (see store or catalog).

WARNING

The use of any other control not specifically approved for this fan could result in fire, shock and personal injury.

WARNING

This product is designed to use only those parts supplied with this product and/or any accessories designated specifically for use with this product by Emerson Electric Co. Substitution of parts or accessories not designated for use with this product by Emerson Electric Co. could result in personal injury or property damage.

16. Instruction to the User (if device contains a digital device)

This equipment has been tested and found to comply with the limits for a class B digital device, pursuant to part 15 of the FCC Rules. These limits are designed to provide reasonable protection against harmful interference in a residential installation. This equipment generates, uses and can radiate radio frequency energy and if not installed and used in accordance with the instructions, may cause harmful interference to radio communications. However, there is no guarantee that interference will not occur in a particular installation. If this equipment does cause harmful interference to radio or television reception, which can be determined by turning the equipment off and on, the user is encouraged to try to correct the interference by one or more of the following measures:

- Reorient or relocate the receiving antenna.
- Increase the separation between the equipment and receiver.
- Connect the equipment into an outlet on a circuit different from that to which the receiver is connected.
- Consult the dealer or an experienced radio/TV technician for help.

This equipment has been certified to comply with the limits for a class B computing device, pursuant to FCC Rules. In order to maintain compliance with FCC regulations, shielded cables must be used with this equipment. Operation with non-approved equipment or unshielded cables is likely to result in interference to radio and TV reception. The user is cautioned that changes and modifications made to the equipment without the approval of manufacturer could void the user's authority to operate this equipment.

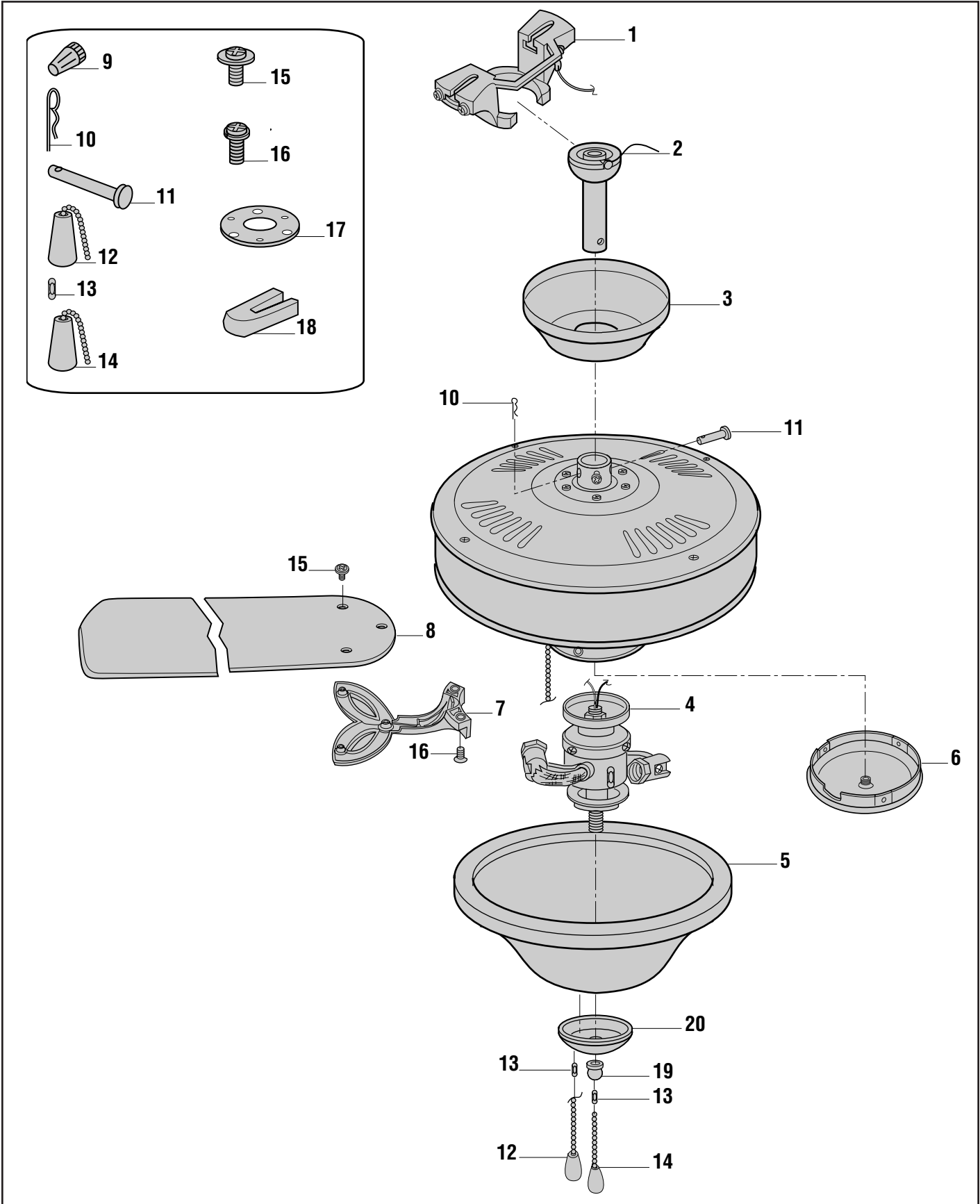
This Class B digital apparatus meets all requirements of the Canadian Interference-Causing Equipment Regulations.

17. Trouble Shooting

▲ WARNING: FOR YOUR OWN SAFETY TURN OFF POWER AT FUSE BOX OR CIRCUIT BREAKER BEFORE TROUBLE SHOOTING YOUR FAN.

TROUBLE	PROBABLE CAUSE	SUGGESTED REMEDY
1. Fan will not start.	<ol style="list-style-type: none"> 1. Fuse or circuit breaker blown. 2. Loose power line connections to the fan, or loose switch wire connections in the switch housing. 3. Reversing switch in neutral position. 	<ol style="list-style-type: none"> 1. Check main and branch circuit fuses or circuit breakers. ▲ WARNING: Make sure main power is turned OFF. 2. Check line wire connections to fan and switch wire connections in the switch housing. 3. Make sure reversing switch position is all the way to one side.
2. Fan sounds noisy.	<ol style="list-style-type: none"> 1. Blades not attached to fan. 2. Screws securing fan blade flanges to motor hub are loose. 3. Wire connectors inside switch housing rattling. 4. Motor noise caused by solid-state variable speed control. 5. Screws holding blades to flanges are loose. 	<ol style="list-style-type: none"> 1. Attach blades to fan before operating. 2. Check to make sure the screws which attach the the fan flanges to the motor hub are tight. ▲ WARNING: Make sure main power is turned OFF. 3. Check to make sure wire connectors in switch housing are not rattling against each other or against the interior wall of the switch housing. 4. Some fan motors are sensitive to signals from solid-state variable speed controls. If solid-state control is used and motor noise results, choose an alternative control method. 5. Tighten screws securely.
3. Fan wobbles excessively.	<ol style="list-style-type: none"> 1. Setscrew in motor coupling is loose. 2. Setscrew in hanger ball/downrod assembly is loose. 3. Screws securing fan blade flanges to motor are loose. 4. Fan blade flanges not seated properly. 5. Hanger bracket and/or ceiling outlet box is not securely fastened. 6. Fan blades out of balance. 	<ol style="list-style-type: none"> 1. Tighten both setscrews securely in the motor coupling. 2. Tighten the setscrew in the hanger ball/downrod assembly. 3. Check to be sure screws which attach the fan blade flanges to the motor are tight. 4. Check to be sure the fan blade flanges seat firmly and uniformly to the surface of the motor. 5. Tighten the hanger bracket screws to the outlet box, and/or secure outlet box. 6. Interchanging an adjacent (side-by-side) blade pair can redistribute the weight and result in smoother operation.
4. Lamps will not illuminate.	<ol style="list-style-type: none"> 1. Loose electrical connections. 2. The lamp is burnt out. 3. Lamp turns on and then turns off. 	<ol style="list-style-type: none"> 1. Shut off the branch circuit electricity at the fuse box or breaker panel and check the receiver electrical connectors for proper installation. 2. Turn the electricity off and replace the lamp with a new 60W maximum lamp. 3. The built in circuit breaker is tripping. Check that each lamp is 60W maximum.

18. Repair Parts



18. Repair Parts Listing

Key No.	Description	Model Numbers					
		CF712AB02	CF712WW02	CF712AW02	CF712BS02	CF712ORB02	CF712WORB02
*	Hanger Pack Assembly, Consisting of:	762231	762231-1	762231-2	762231-4	762231-8	762231-8
1	Hanger Bracket	—	—	—	—	—	—
2	Hanger Ball/ Downrod Assembly	—	—	—	—	—	—
3	Ceiling Cover	762218	762218-1	762218-2	762218-4	762218-8	762218-8
4	Light Fitter	763208	763208-1	763208-2	763208-3	763208-6	763208-6
5	Glass Bowl	762888-3	762888-3	762888-3	762888-3	762888-2	762888-3
6	Cover, Switch Housing	762894	762894-1	762894-2	762894-3	762894-6	762894-6
7	Flange (Set of 5)	762215	762215-1	762215-2	762215-4	762215-8	762215-8
8	Blade (Set of 5)	762228-2	762228-9	762228-8	762228-7	762228-10	762228-10
*	Parts Bag Containing:	762229	762229-1	762229-2	762229-5	762229	762229
9	Wire Connector (3)	—	—	—	—	—	—
10	Hairpin Clip	—	—	—	—	—	—
11	Clevis Pin	—	—	—	—	—	—
12	Pendant, Fan	—	—	—	—	—	—
13	Coupling (2)	—	—	—	—	—	—
14	Pendant, Light	—	—	—	—	—	—
15	Screw, M5 x 6 Washer Head (16)	—	—	—	—	—	—
16	Flange Screw, Phillips Round Head (1)	—	—	—	—	—	—
17	Rubber Gasket	—	—	—	—	—	—
18	Blade Balance Kit	—	—	—	—	—	—
19	Finial Nut	762892	762892-1	762892-2	762892-3	762892-6	762892-6
20	Outer Bowl Cap	762891	762891-1	762891-2	762891-3	762891-6	762891-6
—	Owner's Manual	BP7300-7	BP7300-7	BP7300-7	BP7300-7	BP7300-7	BP7300-7

Before discarding packaging material, be certain all parts have been removed.

HOW TO ORDER REPAIR PARTS

WHEN ORDERING REPAIR PARTS, ALWAYS GIVE THE FOLLOWING INFORMATION:

- PART NUMBER
- NAME OF ITEM
- PART DESCRIPTION
- MODEL NUMBER

The model number of your Fan will be found on a label attached to the top housing.

For repair parts, phone 1-800-654-3545.

Notes

Emerson Air Comfort Ceiling Fan Limited Warranty

What The Limited Warranty Covers:

This limited warranty is offered by Air Comfort Products division of Emerson Electric Co. ("Emerson" "we" or "us") located at the address stated below to the original retail purchaser ("you" or "your") of an Emerson Air Comfort Ceiling Fan product ("Emerson Ceiling Fan") and covers the motor and the other components and accessories of the Emerson Ceiling Fan against all defects in workmanship and materials.

What The Period Of Coverage Is:

This limited warranty will cover the Emerson Ceiling Fan motor for the expected lifetime of your Emerson Ceiling Fan (when operated in accordance with your Owner's Manual or other instructions provided by Emerson to you with the Emerson Ceiling Fan). All other components and accessories of the Emerson Ceiling Fan are covered by this limited warranty for a period of one (1) year from its date of original retail purchase. ANY IMPLIED WARRANTY, INCLUDING WITHOUT LIMITATION, ANY IMPLIED WARRANTY OF MERCHANTABILITY OR FITNESS FOR A PARTICULAR PURPOSE THAT IS AVAILABLE TO YOU UNDER THE LAWS OF YOUR STATE OR PROVINCE SHALL COVER THE MOTOR FOR THE EXPECTED LIFETIME OF THE MOTOR (SUBJECT TO PROPER USE), AND FOR ONE YEAR WITH RESPECT TO COMPONENTS AND ACCESSORIES.

No Other Express or Implied Warranty Applies:

THE LIMITED WARRANTIES PROVIDED ABOVE ARE THE SOLE AND EXCLUSIVE WARRANTIES PROVIDED BY EMERSON TO YOU FOR YOUR EMERSON CEILING FAN, AND ARE IN LIEU OF ALL OTHER WARRANTIES, WRITTEN OR ORAL, EXPRESS OR IMPLIED, WHETHER ARISING BY OPERATION OF LAW OR OTHERWISE, WHETHER OR NOT THE PURPOSE HAS BEEN DISCLOSED AND WHETHER OR NOT THE EMERSON CEILING FAN HAS BEEN SPECIFICALLY DESIGNED OR MANUFACTURED FOR YOUR USE OR PURPOSE. EMERSON HEREBY DISCLAIMS ANY AND ALL IMPLIED WARRANTIES, INCLUDING WITHOUT LIMITATION, IMPLIED WARRANTIES OF MERCHANTABILITY OR FITNESS FOR A PARTICULAR PURPOSE FOR COMPONENTS AND ACCESSORIES AS OF THE EXPIRATION OF THE ONE YEAR WARRANTY PERIOD FOR SUCH COMPONENTS AND ACCESSORIES. IMPLIED WARRANTIES OF MERCHANTABILITY OR FITNESS FOR A PARTICULAR PURPOSE FOR THE MOTOR PORTION OF THE EMERSON CEILING FAN ARE LIKEWISE DISCLAIMED BY EMERSON AT SUCH TIME THAT THE EXPECTED LIFETIME OF THE EMERSON CEILING FAN UNDER NORMAL USAGE HAS BEEN REACHED. EXCLUSIONS OR LIMITATIONS OF IMPLIED WARRANTIES MAY VARY FROM STATE TO STATE AND PROVINCE TO PROVINCE SO THE ABOVE LIMITATIONS MAY NOT APPLY TO YOU.

What We Will Do To Correct Problems:

If during the one (1) year warranty period the motor or any component or accessory of your Emerson Ceiling Fan is defective in materials or workmanship, or if during the expected lifetime of the Emerson Ceiling Fan (when used in accordance with the User Manual or other instructions) the motor is defective in materials or workmanship, you must contact Emerson during the applicable warranty period. If the defect is covered by warranty, Emerson will repair or replace the defective motor, component or other accessory at no charge to you. If repair of the motor, component or accessory is not practical or possible within a reasonable time and no replacement Emerson Ceiling Fan can be provided, Emerson will refund to you the actual purchase price of your Emerson Ceiling Fan. We will ship the repaired or the replacement Emerson Ceiling Fan to you at no charge, but you are responsible for all costs of removal and reinstallation of your Emerson Ceiling Fan.

How You Can Receive Warranty Service:

You must be the original retail purchaser and have proof of your purchase of the Emerson Ceiling Fan to obtain your remedy under this limited warranty. You can return your Emerson Ceiling Fan to your place of purchase, or you can call Emerson Customer Service at 1-800-237-6511 to obtain a return authorization and service identification tag. In order for us to confirm that your Emerson Ceiling Fan is still under warranty, please retain your receipt or other proof of purchase and have that information readily available when returning your Emerson Ceiling Fan to your place of purchase, or upon calling Emerson Customer Service. If you call Emerson Customer Service, prior to your call please be prepared to provide all model numbers shown on your Emerson Ceiling Fan. Once we have processed your return authorization request, we will provide you with a postage paid return label which should be affixed to the Emerson Ceiling Fan package you ship to the address listed at the end of this limited warranty. The return label will be sent to the mailing address you provide to us by phone.

What Is Not Covered:

This limited warranty does not extend to and expressly excludes:

- The glass globes and light bulbs of your Emerson Ceiling Fan,
- Loss or damage to the motor or any component or accessory caused by normal wear and tear, rather than due to defects in materials or workmanship,
- Loss or damage resulting from conditions beyond our reasonable control, including without limitation, repairs not made at our factory or authorized service center, use of parts or accessories not provided to you as part of this warranty by our factory or authorized service center, mishandling, unreasonable use, misuse, abuse, modifications or other damage caused by you or a third party to your Emerson Ceiling Fan while not in our possession,
- Loss or damage resulting from improper installation, or other failure to comply with instructions in your Owner's Manual.

This limited warranty is deemed null and void upon the occurrence of either of the following events:

- You cease to own the Emerson Ceiling Fan product, or
- The Emerson Ceiling Fan is moved from its original point of installation.

This limited warranty is only valid within the 50 United States, the District of Columbia, and Canada. No other written or oral warranties apply, and no employee, agent, dealer or other person is authorized to give any warranties on behalf of Air Comfort Products or Emerson Electric Co.

Limitation of Liability

REPAIR, REPLACEMENT OR A REFUND ARE THE EXCLUSIVE REMEDIES AVAILABLE TO YOU UNDER THIS LIMITED WARRANTY. TO THE EXTENT PERMITTED BY LAW, IN NO EVENT SHALL EMERSON OR ANY EMERSON AUTHORIZED DEALER BE LIABLE FOR ANY INCIDENTAL, SPECIAL, INDIRECT, OR CONSEQUENTIAL DAMAGES, INCLUDING ANY ECONOMIC LOSS, WHETHER RESULTING FROM NONPERFORMANCE, USE, MISUSE OR INABILITY TO USE THE EMERSON CEILING FAN OR FOR THE NEGLIGENCE OF EMERSON OR AN EMERSON AUTHORIZED DEALER. EMERSON SHALL NOT BE LIABLE FOR DAMAGES CAUSED BY DELAY IN PERFORMANCE AND IN NO EVENT, REGARDLESS OF THE FORM OF THE CLAIM OR CAUSE OF ACTION (WHETHER BASED IN CONTRACT, INFRINGEMENT, NEGLIGENCE, STRICT LIABILITY, OTHER TORT OR OTHERWISE), SHALL EMERSON'S OR ANY EMERSON AUTHORIZED AGENT'S LIABILITY TO YOU OR ANY INDIVIDUAL USING THE EMERSON CEILING FAN EXCEED THE PRICE PAID BY THE ORIGINAL OWNER FOR THE EMERSON CEILING FAN. The term "consequential damages" shall include, but not be limited to, loss of anticipated profits, business interruption, loss of use or revenue, cost of capital or loss or damage to property or equipment.

How State and Provincial Law Relates To The Warranty:

Some states and provinces do not allow the exclusion or limitation of incidental or consequential damages so the above exclusion or limitation may not apply to you. This limited warranty gives you specific legal rights, and you may also have other rights which vary from state to state or province to province.



EMERSONTM

Air Comfort Products

DIVISION OF EMERSON ELECTRIC CO.
8100 W. Florissant • St. Louis, MO 63136

Questions, problems, missing parts: Before returning to the store call
Emerson Electric Customer Service
8 a.m. - 6 p.m., Eastern, Monday-Friday

1-800-654-3545

www.emersonfans.com

Retain this manual for future use.