



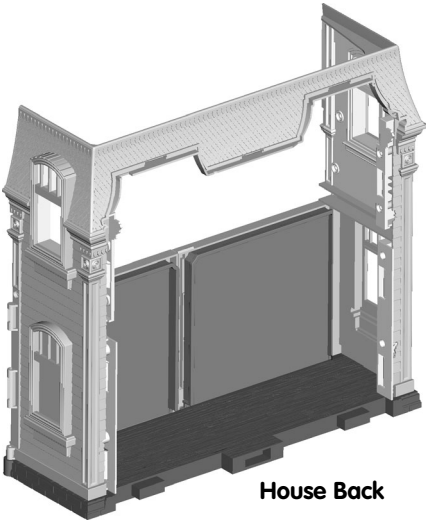
Please keep this instruction sheet for future reference,  
as it contains important information.

Adult assembly is required.

Tool required for assembly:  
Phillips screwdriver (not included).

[www.fisher-price.com](http://www.fisher-price.com)

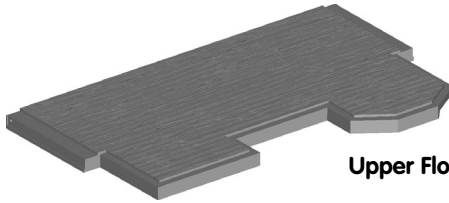
# Assembled Parts



House Back



House Front



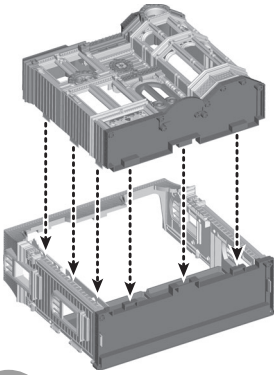
Upper Floor



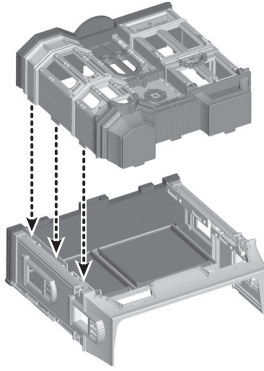
**#6 x 1/2" Screw - 2**

Tighten the screws with a Phillips screwdriver.  
Do not over-tighten the screws.

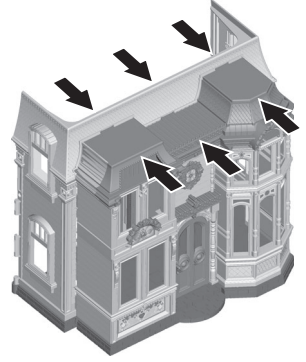
# Assembly



**1** BOTTOM VIEW



TOP VIEW

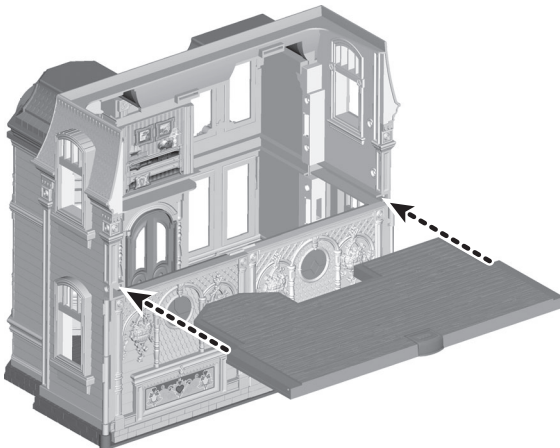


FRONT VIEW

- Place the house back on a flat surface, as shown.
- Fit the tabs on the house front into the slots on the house back. **"Snap"** the house front onto the house back.

*Hint: Press down at each tab to be sure each "snaps" into place.*

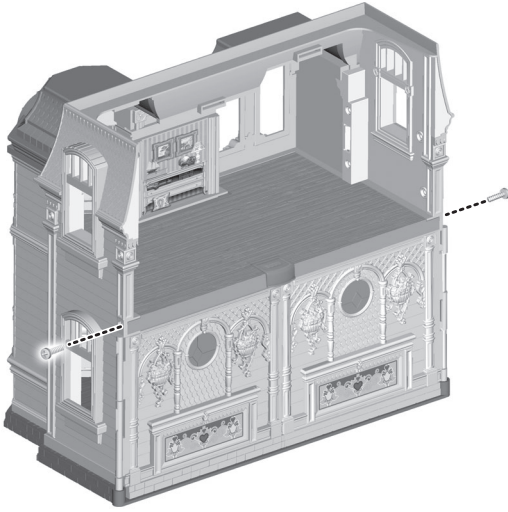
- Stand the assembly upright.
- Push on the front side and back side of the assembly near each top tab to **"snap"** them in place. This may take a lot of force.



**2**

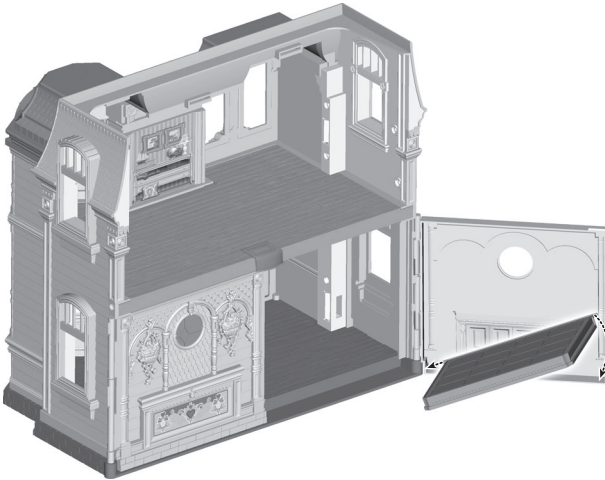
- Slide the upper floor into the grooves in the house.

# Assembly



3

- Insert two screws into the holes on each side of the house and tighten.

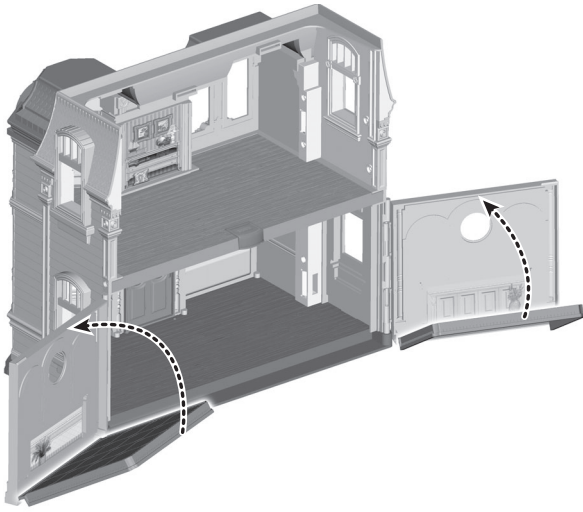


4

*Hint: The floor on each side panel is designed to break-away.*

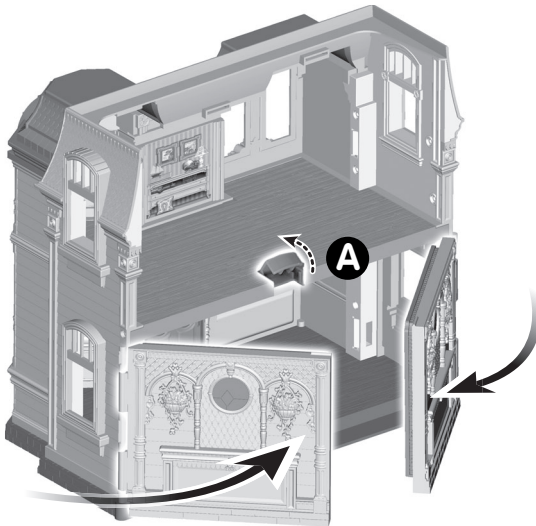
- At an angle, fit the peg on one side of the floor into the groove on the side panel.
- Push to **“snap”** the other side of the floor onto the panel.

# Storage



1

- Place all accessories into the doll house.
- Lift the floors on the side panels.



2

- Lift the tab on the upper floor **A** and close the side panels.
- Lower the tab on the upper floor **B** onto the side panels to hold in place.

# Consumer Information



**CONSUMER ASSISTANCE**  
1-800-432-5437 (US & Canada)  
1300 135 312 (Australia)

**service.fisher-price.com**

Fisher-Price, Inc., 636 Girard Avenue, East Aurora, NY 14052.  
Hearing-impaired consumers: 1-800-382-7470.

---

Outside the United States:

Canada: Mattel Canada Inc., 6155 Freemont Blvd.,  
Mississauga, Ontario L5R 3W2; [www.service.mattel.com](http://www.service.mattel.com).

Great Britain: Mattel UK Ltd, Vanwall Business Park,  
Maidenhead SL6 4UB. Helpline: 01628 500303.  
[www.service.mattel.com/uk](http://www.service.mattel.com/uk)

Mattel Europa, B.V., Gondel 1, 1186 MJ Amstelveen, Nederland.

Australia: Mattel Australia Pty. Ltd., 658 Church Street,  
Locked Bag #870, Richmond, Victoria 3121 Australia.

New Zealand: 16-18 William Pickering Drive,  
Albany 1331, Auckland.

## Care

- Wipe this toy with a clean cloth, dampened with a mild soap and water solution.  
Do not immerse this toy.