



OPERATING MANUALS

For Safe Models:

Brigadiere 7550 Key Lock Rifle/Gun Safe

Overlord 7600 Digital Lock Rifle/Gun Safe

Quarter Master 7650 Digital Lock Handgun/Pistol Safe

Commandant D 7500 Digital Lock Rifle/Gun Safe

Quarter Master 7775 Electronic/Digital Home Office Security Safe

Quarter Master FR7800 Digital Keypad Fire Resistant Home Office Security Safe

Quarter Master 7825 Electronic/Digital Home Office Security Safe

Quarter Master 7850 Electronic/Digital Home Office Security Safe

Quarter Master 7700 Digital Keypad Premium Home Office Security Wall Safe

Quarter Master 7750 Digital Keypad Deluxe Home Office Security Wall Safe

SureDrop 7875 Digital Keypad Depository Safe

SureDrop 7900 Digital Keypad Double Depository Safe

SureDrop 7925 Digital Keypad Deluxe Depository Safe

Quarter Master 7950 Digital Keypad Laptop Safe

PARAGON LOCK AND SAFE

TABLE OF CONTENTS

Customer Service & Warranty Information.....	3
Brigadiere 7550 Key Lock Rifle/Gun Safe.....	4-5
Overlord 7600 Digital Lock Rifle/Gun Safe.....	6-8
Commandant D 7500 Digital Lock Rifle/Gun Safe.....	9-10
Quarter Master 7650 Digital Lock Handgun/Pistol Safe.....	11-12
Quarter Master FR7800 Digital Keypad Fire Resistant Home Office Security Safe.....	13-14
Quarter Master 7775 Electronic/Digital Home Office Security Safe.....	15-16
Quarter Master 7825 Electronic/Digital Home Office Security Safe.....	17-18
Quarter Master 7850 Electronic/Digital Home Office Security Safe.....	17-18
Quarter Master 7700 Digital Keypad Premium Home Office Security Wall Safe.....	19-20
Quarter Master 7750 Digital Keypad Deluxe Home Office Security Wall Safe.....	21-22
SureDrop 7875 Digital Keypad Depository Safe.....	23-24
SureDrop 7900 Digital Keypad Double Depository Safe.....	25-26
SureDrop 7925 Digital Keypad Deluxe Depository Safe.....	25-26
Quarter Master 7950 Digital Keypad Laptop Safe.....	27-28

PARAGON LOCK AND SAFE

CUSTOMER SERVICE

Customer service and product support are available on line at www.paragonlockandsafe.com.

WARRANTY AND RETURN POLICY

Thank you for choosing a Paragon Lock and Safe product. Paragon Lock and Safe (PL&S) warrants the original purchaser of new equipment manufactured by PL&S to be free from defects in material or workmanship from the date of the original purchase for a period of one year. In the event the safe being replaced is no longer manufactured, PL&S will provide a safe they deem to be "equivalent".

The obligation of PL&S under this warranty is limited to the replacement of any parts or components that in the opinion of PL&S are defective, F.O.B. the factory, or at any other location that PL&S may designate.

In the case of fire (for fireproof models): PL&S will replace your safe for free. You will provide a police and fire report and we will ship you your safe replacement. In the case of a break-in: PL&S will repair or replace your safe for free. You simply send your safe back along with a copy of the police report. In the case of problems with locks, bolt work, or handle: PL&S will repair your safe for free. Simply send your safe back--if we cannot fix it, we will ship you a safe replacement.

The original purchaser who has provided proper proof of the original retail purchase and all other requested information is the holder of this warranty. This warranty is non-transferable and covers you as long as you own the safe and have your original invoice. Make sure you save a copy of your invoice.

All shipping damages must be claimed with the designated shipper. Check the shipping carton for damage before signing the bill of lading.

If an item is opened and deemed to be defective within 30 days from the date of delivery, please contact us at www.paragonlockandsafe.com for return instructions. A PL&S RMA is required when returning defective merchandise. When returning your order please include a copy of your order number with date purchased, your PL&S RMA and the reason for the return.

Any defective component, part or assembly returned to PL&S will be replaced by PL&S. PL&S will not be responsible for any expenses incurred by the customer under the terms of this warranty, nor shall it be responsible for any damages consequential, special, contingent, or otherwise; or expenses or injury arising directly or indirectly from the use of a PL&S product. Any component, part or assembly returned to PL&S must be returned at the customer's expense along with proof of purchase. PL&S reserves the right to determine whether the terms of this warranty have been properly complied with. In the event that the terms are not complied with, PL&S shall be under no obligation to honor this warranty.

Implied Warranties. EXCEPT TO THE EXTENT PROHIBITED BY APPLICABLE LAW, ANY IMPLIED WARRANTY OF MERCHANTABILITY OR FITNESS FOR A PARTICULAR PURPOSE IS LIMITED IN DURATION TO THE DURATION OF THIS WARRANTY. PL&S SHALL NOT BE LIABLE FOR ANY INCIDENTAL OR CONSEQUENTIAL DAMAGES FOR BREACH OF ANY EXPRESS OR IMPLIED WARRANTY. PL&S AND YOUR MAXIMUM LIABILITY TO THE OTHER IS LIMITED TO PURCHASE PRICE YOU PAID FOR PRODUCTS OR SERVICES PLUS INTEREST ALLOWED BY LAW.

Dispute Resolution. You and PL&S agree that any Dispute between you and PL&S will be resolved exclusively and finally by arbitration administered by the National Arbitration Forum (NAF) and conducted under its rules, except as otherwise provided below. You and PL&S will agree on another arbitration forum if NAF ceases operations. The arbitration will be conducted before a single arbitrator, and will be limited solely to the Dispute between you and PL&S. Any decision rendered in such arbitration proceedings will be final and binding on the parties, and judgment may be entered thereon in any court of competent jurisdiction. THIS AGREEMENT AND ANY SALES THERE UNDER SHALL BE GOVERNED BY THE LAWS OF THE STATE OF MICHIGAN, WITHOUT REGARD TO CONFLICTS OF LAWS RULES.

Warranty shall not apply to: products which are used for a purpose other than which they were designed for or which have been altered in any way that would be detrimental to the performance or life of the product. Misapplication, misuse or negligence will revoke the warranty.

Brigadiere 7550 Key Lock Rifle/Gun Safe

⚡ Extra Thick 11 Gauge
Solid Steel Construction

⚡ Key Lock

⚡ Resists Hand & Mechanical
Tool Attacks

⚡ Safe Door Opens to Right

⚡ Inside Tamper-Proof Hinges

⚡ Powder-Coated Interior & Exterior

⚡ 10 Gun Capacity

⚡ Pre-Drilled Holes for Anchoring to Wall

⚡ Anchor Bolts Included

SPECIFICATIONS

Model	Material	Bolt	Dimensions
Brigadiere 7550	Steel	25mm/1in.	55"H x 19.5"W x 11"D

HOW TO USE YOUR BRIGADIERE

IMPORTANT!

Always store guns safely! Make sure guns are unloaded when storing. Make sure your ammunition is stored safely and separately and that your safe **IS LOCKED**. If you are bolting your safe to the wall, do so before you load guns into the safe.

DO NOT OPERATE SAFE OR LEAVE SAFE OPEN AROUND CHILDREN. CHILDREN MAY BECOME TRAPPED AND RISK SUFFOCATION.

To use your safe:

1. First, open the safe by inserting the key into the lock. Turn key clockwise (to the right) to open the latch.
2. Store unloaded guns and rifles securely inside your safe.
3. To close the safe, close the door and turn the key counter-clockwise (to the left). Remove the key and store in a secure place.

CAUTION! Be careful not to lose your key! The Brigadiere uses a high security key lock; if you lose your key the safe must be opened by a locksmith!

Brigadiere 7550 Key Lock Rifle/Gun Safe

GENERAL SAFETY PRECAUTIONS



IMPORTANT!

DO NOT OPERATE SAFE OR LEAVE SAFE OPEN AROUND CHILDREN. CHILDREN MAY BECOME TRAPPED AND RISK SUFFOCATION.

Follow these general gun safety rules:

1. Always keep guns unloaded until ready to use.
2. Make sure your guns are well-maintained and safe to operate. Clean and maintain your guns regularly.
3. Never use drugs or alcohol when handling, using or storing firearms.
4. Use only the correct ammunition for your gun.
5. Store guns away from unauthorized persons.
6. Know how to use your gun safely. Never point a gun at something you are not willing to destroy.
7. Know your target and what is beyond.

Overlord 7600 Digital Lock Rifle/Gun Safe

⚡ Digital entry eliminates need for multiple key copies

⚡ Stainless steel keypad with chrome handle

⚡ Resists Hand & Mechanical Tool Attacks

⚡ Pre-Drilled Holes for Anchoring to Wall

⚡ Inside Tamper-Proof Hinges

⚡ Powder-Coated Interior & Exterior

⚡ 8 Gun Capacity Plus Room for Ammo

⚡ Runs on AA SIZE(1.5V) batteries

⚡ Easy to operate and program

SPECIFICATIONS

Model	Material	Bolt	Dimensions
Overlord 7600	Steel	25mm/1in.	59"H x 28"W x 18"D

HOW TO USE YOUR OVERLORD

Installation:

Choose a location where this product will be convenient to use, but not easily visible to an intruder. Inside a fitted wardrobe or cupboard is often suitable. If possible, select a position where the unit can be bolted to both a wall and floor to improve security. Wall attachment must always be to a solid wall, not a stud wall.

Preparation for use:

This product is battery operated and uses (1) 9V Alkaline battery. To install the batteries, just remove the battery cover plate beneath the keypad and install the battery. Ensure the positive and negative battery poles are in their correct positions.

Note: Both of the factory default passcodes for the manager or the new user (123456 and 1234) will open the door even when the battery is not installed. To open the door use either 123456# or 1234+#.

After installing the batteries:

The safe may be opened with a key code (passcode) only. **It is strongly recommended that you change the manufacturer default manager key code immediately after purchase.**

Open door codes:

The manager key code should be set to a 6 digit code of your choosing and is defaulted as "123456" when manufactured.

New user open door passcodes are defaulted to "1234" and should be changed to a 4 digit passcode.

Overlord 7600 Digital Lock Rifle/Gun Safe

HOW TO USE YOUR OVERLORD

IMPORTANT NOTE: Be sure to install your batteries **before** attempting to reset either your manager or new user passcodes. This keypad has a memory function and will open with the default user or manager factory-installed codes even without a battery installed but installing your battery beforehand will ensure best performance and retention of your unique codes.

Default Manager Open Door Code: 123456 (press 123456+# to open)

Default User Open Door Code: 1234 (press 1234+# to open)

Changing the default manager open door code:

1. To change the manufacturer's preset manager open door code to your own, first create a new 6 digit code. Write your new code down and keep it in a safe and secure place away from your new safe.
2. Next, press the default manufacturer open door code, then press the asterisk key (123456+#). The green indicator light will appear. Immediately enter your new 6 digit passcode and then press #.
3. The code is now set to your new manager passcode.

Changing the default new user open door code:

1. To change the new user preset open door code to a new one, first create a new 4 digit code. Write your new code down and keep it in a safe and secure place away from your new safe.
2. Next, press the default manufacturer user open door code plus an asterisk (1234+#). The green indicator light will appear. Immediately enter your new 4 digit passcode and then press #.
3. The code is now set to your new user passcode.

Restore manufacturer's default settings:

1. With the safe open, remove one of the batteries to cut off the power
2. Press the number "0"-key button to release all remaining power
3. Press the red initialized switch without releasing while reinserting the battery. You will hear a beep; the mode is entering into initialization.
4. Then you will hear a long "beep" sound once after 3 seconds, the green indicator light will appear and indicated the mode is initialized successful.
5. The default manager **open door code** is : 123456
6. The default new user **open door code** is : 1234; see above for door code passcode change instructions.

IMPORTANT NOTE: Be sure to enter new passcodes **IMMEDIATELY** after seeing the green indicator light. If your new passcode fails to be set, wait 30 seconds and follow the entry procedures above, making sure to enter the new code quickly.

Overlord 7600 Digital Lock Rifle/Gun Safe

Battery replacement:

Take out the depleted batteries, press the “0”-key to release power and reinstall new batteries. Use of alkaline batteries is recommended.

To close the safe:

1. Close the door. Press firmly and keep pressing until a green indicator light appears and a long 'beep' sound is heard. The motor will automatically lock the door (or press door in firmly and turn the handle counter clockwise until the door locks). Be sure that the door is locked before leaving.



GENERAL SAFETY PRECAUTIONS



IMPORTANT!

DO NOT OPERATE SAFE OR LEAVE SAFE OPEN AROUND CHILDREN. CHILDREN MAY BECOME TRAPPED AND RISK SUFFOCATION.

Follow these general gun safety rules:

1. Always keep guns unloaded until ready to use.
2. Make sure your guns are well-maintained and safe to operate. Clean and maintain your guns regularly.
3. Never use drugs or alcohol when handling, using or storing firearms.
4. Use only the correct ammunition for your gun.
5. Store guns away from unauthorized persons.
6. Know how to use your gun safely. Never point a gun at something you are not willing to destroy.
7. Know your target and what is beyond.

Commandant D 7500 Digital Lock Rifle/Gun Safe

⚡ Extra Thick 11 Gauge
Solid Steel Construction

⚡ Interior Locking Cabinet

⚡ Resists Hand & Mechanical
Tool Attacks

⚡ Opens by Key or Electronic
Lock

⚡ Inside Tamper-Proof Hinges

⚡ Powder-Coated Interior & Exterior

⚡ 5 Gun Rack plus 3 Piece Door Rack

⚡ Pre-Drilled Holes for Anchoring to Wall

⚡ Anchor Bolts Included

SPECIFICATIONS

Model	Material	Bolt	Dimensions
Commandant D 7500	Steel	25mm/1in.	57"H x 13.7"W x 12"D

HOW TO USE YOUR COMMANDANT

Before using your safe:

1. First, remove the center cover of the key plate on the outer door keypad and open the door with the key provided (**Figure A**).

IMPORTANT: Please do not store the outer door keys in your safe!

2. Next, remove the battery cover plate located on the inside of the outer door and install the 4 AA 1.5V batteries provided (**Figure B**). Replace the battery cover.

To setup or change a user passcode:

1. With door open, locate the red button on the back of door near the hinge (**Figure C**). Press the red button, listen for a beep and then enter your new user passcode. New user passcodes may be 3 to 6 digits long.
2. Immediately after entering your new code, press the "A" or "B" button on the keypad. Your new user code is now stored.

Note: This safe stores up to 2 passcodes simultaneously; a user code and a manager code. Entering a third code will erase the first passcode entered.

Your safe comes with 2 separate sets of keys, one for the exterior door and one for the interior locking cabinet.

Please do not store keys in safe! Keep secure in a safe place.



7500 Keypad



Figure A



Figure B



Figure C

Commandant D 7500 Digital Lock Rifle/Gun Safe

HOW TO USE YOUR COMMANDANT

To setup or change a manager passcode:

1. Open your safe with the passcode you wish to change and leave the door ajar.
2. Press the "0" button on the keypad twice. Press the red button, listen for a beep and then enter your new user passcode. New user passcodes may be 3 to 6 digits long.
3. Immediately after entering your new code, press the "A" or "B" button on the keypad. Your user code is now changed.

Close the safe:

Turn the knob counter-clockwise, the mechanism will automatically lock the safe.

Open the safe:

1. Input your code, then press the "B" button, the green light will turn on.
2. Turn the knob clockwise within 5 seconds, the door is opened.
3. Each key being pressed is accompanied by a buzzer and a yellow flashing light . If the entered code is invalid the yellow light will flash and the buzzer will quickly beep and the user should enter the correct code again.

CAUTION: Entering an incorrect code 3 times will freeze the system for 20 seconds.

Changing the Battery:

If both the red and green lights are on while safe opened, this indicates that the batteries must be changed. To be sure the batteries are correctly installed please test *before* you close the safe's door. Use 4 x AA Alkaline Batteries only.

GENERAL SAFETY PRECAUTIONS



IMPORTANT!

DO NOT OPERATE SAFE OR LEAVE SAFE OPEN AROUND CHILDREN. CHILDREN MAY BECOME TRAPPED AND RISK SUFFOCATION.

Follow these general gun safety rules:

1. Always keep guns unloaded until ready to use.
2. Make sure your guns are well-maintained and safe to operate. Clean and maintain your guns regularly.
3. Never use drugs or alcohol when handling, using or storing firearms.
4. Use only the correct ammunition for your gun.
5. Store guns away from unauthorized persons.
6. Know how to use your gun safely. Never point a gun at something you are not willing to destroy.
7. Know your target and what is beyond.

Quarter Master 7650 Digital Lock Handgun/Pistol Safe

⚡ 1/8" Thick Solid Steel Construction

⚡ Inside Tamper-Proof Hinges

⚡ Interior Locking Cabinet

⚡ Powder-Coated Interior & Exterior

⚡ Resists Hand & Mechanical Tool Attacks

⚡ Code can be changed infinitely

⚡ Opens by Key or Electronic Lock

⚡ Easy to Install

⚡ Runs on AASIZE(1.5V) batteries, included.

SPECIFICATIONS

Model	Material	Bolt	Dimensions
Quarter Master 7650	Steel		3.15"H x 9"W x 15"D

HOW TO USE YOUR QUARTER MASTER 7650

Installing Batteries prior to first use:

1. Pull out the Key whole cap, located in front of the keypad.
2. Insert the override key and turn counter-clockwise.
IMPORTANT DO NOT KEEP OVERRIDE KEY IN SAFE.
3. The lid will open automatically. When the door has opened turn the key anti-clockwise and remove it.
4. Take out the black liner from in the safe. The battery box is located in the front of the safe, remove battery cover; the battery box will come out.
5. Insert Batteries. Ensure that the batteries are correctly inserted, with the negative touching the spring.
6. Double check batteries are in correctly. The green light will appear on the inside of the box when you press any number. If there is no green light then batteries are installed incorrectly or the batteries have gone flat.

To Set your Personal Identification Number ("PIN") - 3 to 6 DIGITS:

1. Press any key to activate the keypad, (you will not hear a beep)
2. Press "0"+"0"+" # " and previous code + "#", (factory preset code :1,6,8), then input your new PIN (3-6 digits) then press "*", input your new user code in again followed by the "#". You will hear one beep to inform you that new code has set successfully.

Quarter Master 7650 Digital Lock Handgun/Pistol Safe

HOW TO USE YOUR QUARTER MASTER 7650

Instant manual:

"0"+"0"+" # " + "previous code " + "#" + " new code " + " #" + "code" (repeat new code) + "#" followed a long beep .

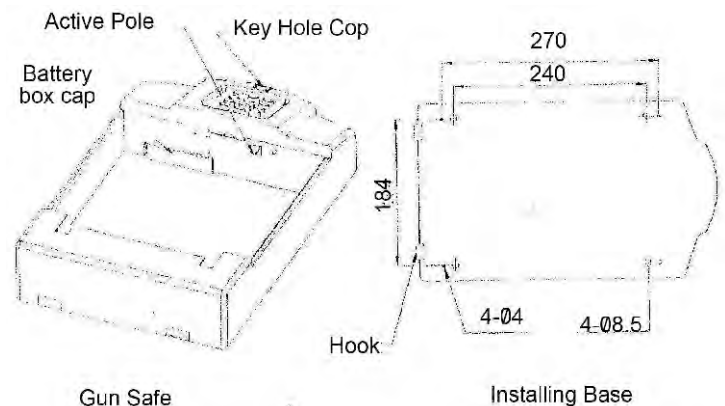
For example : previous code 168 , new code 6699,operate : 00#168#6699#6699#

To Open or Close Safe:

1. To Open the safe: Input your own PIN then press "#". The safe will automatically open.
2. **Caution:** If you input an incorrect code (3) times the safe will lock you out for 40 seconds.
3. Push door closed. The door will automatically lock.

Installation:

1. Remove the safe from the installing base: Open the safe, press the active pole in the front of the safe (see the drawing), and lift the front of the safe. Move forward to depart the safe from the installing base.
2. Fix the installing base by four screws.
3. Install the safe onto the base: let the two hooks in the base insert into the back of the safe, press the front of the safe downwards until you hear a "click", this informs you that the safe has been fixed properly to the base.



GENERAL SAFETY PRECAUTIONS



IMPORTANT!

DO NOT OPERATE SAFE OR LEAVE SAFE OPEN AROUND CHILDREN. CHILDREN MAY BECOME TRAPPED AND RISK SUFFOCATION.

Follow these general gun safety rules:

1. Always keep guns unloaded until ready to use.
2. Make sure your guns are well-maintained and safe to operate. Clean and maintain your guns regularly.
3. Never use drugs or alcohol when handling, using or storing firearms.
4. Use only the correct ammunition for your gun.
5. Store guns away from unauthorized persons.
6. Know how to use your gun safely. Never point a gun at something you are not willing to destroy.
7. Know your target and what is beyond.

Quarter Master FR7800 Digital Keypad Fire Resistant Home Office Security Safe

⚡ 1/8" Thick Solid Steel Construction

⚡ Opens with Code or Key

⚡ Resists Hand & Mechanical Tool Attacks

⚡ Fire proof to 1650 degrees for 1 hour

⚡ Inside Tamper-Proof Hinges

⚡ Powder-Coated Interior & Exterior

⚡ Code can be changed infinitely

⚡ Easy to Install; Anchor Bolts Included

⚡ Runs on AASIZE(1.5V) batteries, included.

SPECIFICATIONS

Model	Material	Bolt	Dimensions
Quarter Master FR7800	Steel		19"H x 16.7"W x 16"D

HOW TO USE YOUR QUARTER MASTER FR7800

Before using your safe:

1. First, remove the battery cover plate on the keypad and open the door with the key provided (**Figure A**). Keep the door open.
IMPORTANT: Please do not store the door keys in your safe!
2. Next, install the 4 AA 1.5V batteries provided (**Figure B**). Replace the battery cover.



Figure A

To setup or change a user passcode:

1. With door open, locate the red button on the back of door near the hinge (**Figure C**). Press the red button, and the screen will display "----". Immediately press the Start button on the keypad and enter your new user passcode. New user passcodes should be 6 digits long.
2. Immediately after entering your new code, the screen should display "IN". Your new user code is now stored.



Figure B

Note: This safe stores up to 2 passcodes simultaneously; a user code and a manager code. Entering a third code will erase the first passcode entered. If the screen does not display "IN" after entering a passcode, repeat steps 1-2 above making sure to press the Start button quickly after pressing the red button.

Your safe comes with a set of keys. Please do not store keys in safe! Keep secure in a safe place.



Figure C



Figure D

Quarter Master Fr7800 Digital Keypad Fire Resistant Home Office Security Safe

HOW TO USE YOUR QUARTER MASTER FR7800

To setup or change a manager passcode:

1. Open your safe with the passcode you wish to change and leave the door ajar.
2. Press the Start button on the keypad. Enter your new 6 digit passcode.
3. Immediately after entering your new code, press the red button located behind the door and the keypad will display "IN". Your user code is now changed.

Close the safe:

Turn the knob counter-clockwise, the mechanism will automatically lock the safe.

Open the safe:

1. Input your 6 digit passcode.
2. Turn the knob clockwise within 5 seconds, the door is opened.

CAUTION: Entering an incorrect code 3 times will freeze the system for 20 seconds.

Changing the Battery:

If both the red and green lights are on while safe opened, this indicates that the batteries must be changed. To be sure the batteries are correctly installed please test *before* you close the safe's door. Use 4 x AA Alkaline Batteries only.

Note: The buttons on the keypad are raised...only medium pressure is needed.

GENERAL SAFETY PRECAUTIONS



IMPORTANT!

DO NOT OPERATE SAFE OR LEAVE SAFE OPEN AROUND CHILDREN. CHILDREN MAY BECOME TRAPPED AND RISK SUFFOCATION.

Follow these general gun safety rules:

1. Always keep guns unloaded until ready to use.
2. Make sure your guns are well-maintained and safe to operate. Clean and maintain your guns regularly.
3. Never use drugs or alcohol when handling, using or storing firearms.
4. Use only the correct ammunition for your gun.
5. Store guns away from unauthorized persons.
6. Know how to use your gun safely. Never point a gun at something you are not willing to destroy.
7. Know your target and what is beyond.

Quarter Master 7775 Electronic/Digital Home Office Security Safe

- ⚡ Extra Thick 11 Gauge Solid Steel Construction
- ⚡ Easy to Program & Operate
- ⚡ Resists Hand & Mechanical Tool Attacks
- ⚡ Opens by Key or Electronic Lock
- ⚡ Inside Tamper-Proof Hinges
- ⚡ Powder-Coated Interior & Exterior
- ⚡ Code can be changed infinitely
- ⚡ Pre-Drilled Holes for Anchoring to Wall
- ⚡ Anchor Bolts Included

SPECIFICATIONS

Model	Material	Bolt	Dimensions
Quarter Master 7775	Steel		19.5"H x 14"W x 13.7"D

HOW TO USE YOUR QUARTER MASTER 7775

Before using your safe:

1. First, remove the center cover of the key plate on the keypad and open the door with the key provided (**Figure A**).

IMPORTANT: Please do not store the door keys in your safe!

2. Next, remove the battery cover plate located on the inside of the door and install the 4 AA 1.5V batteries provided (**Figure B**). Replace the battery cover.

To setup or change a passcode:

1. With door open, locate the red button on the back of door near the hinge (**Figure C**). Press the red button, listen for a beep and then enter your new user passcode. New user passcodes may be 3 to 6 digits long.
2. Immediately after entering your new code, press the "A" or "B" button on the keypad. Your new user code is now stored.

Note: This safe stores up to 2 passcodes simultaneously; a user and manager code. Entering a third code will erase the first passcode entered.

Your safe comes with a set of keys. Please do not store keys in safe! Keep secure in a safe place.



7775 Keypad



Figure A



Figure B



Figure C

Quarter Master 7775 Electronic/Digital Home Office Security Safe

HOW TO USE YOUR QUARTER MASTER 7775

To setup or change a manager passcode:

1. Open your safe with the passcode you wish to change and leave the door ajar.
2. Press the "0" button on the keypad twice. Press the red button, listen for a beep and then enter your new user passcode. New user passcodes may be 3 to 6 digits long.
3. Immediately after entering your new code, press the "A" or "B" button on the keypad. Your user code is now changed.

Close the safe:

Turn the knob counter-clockwise, the mechanism will automatically lock the safe.

Open the safe:

1. Input your code, then press the "B" button, the green light will turn on.
2. Turn the knob clockwise within 5 seconds, the door is opened.
3. Each key being pressed is accompanied by a buzzer and a yellow flashing light . If the entered code is invalid the yellow light will flash and the buzzer will quickly beep and the user should enter the correct code again.

CAUTION: Entering an incorrect code 3 times will freeze the system for 20 seconds.

Changing the Battery:

If both the red and green lights are on while safe opened, this indicates that the batteries must be changed. To be sure the batteries are correctly installed please test *before* you close the safe's door. Use 4 x AA Alkaline Batteries only.

GENERAL SAFETY PRECAUTIONS



IMPORTANT!

DO NOT OPERATE SAFE OR LEAVE SAFE OPEN AROUND CHILDREN. CHILDREN MAY BECOME TRAPPED AND RISK SUFFOCATION.

Follow these general gun safety rules:

1. Always keep guns unloaded until ready to use.
2. Make sure your guns are well-maintained and safe to operate. Clean and maintain your guns regularly.
3. Never use drugs or alcohol when handling, using or storing firearms.
4. Use only the correct ammunition for your gun.
5. Store guns away from unauthorized persons.
6. Know how to use your gun safely. Never point a gun at something you are not willing to destroy.
7. Know your target and what is beyond.

Quarter Master 7825, 7850 Electronic/ Digital Home Office Security Safe

⚡ Extra Thick 11 Gauge
Solid Steel Construction

⚡ Inside Tamper-Proof Hinges

⚡ Easy to Program & Operate

⚡ Powder-Coated Interior & Exterior

⚡ Resists Hand & Mechanical
Tool Attacks

⚡ Code can be changed infinitely

⚡ Opens by Key or Electronic
Lock

⚡ Pre-Drilled Holes for Anchoring to Wall

⚡ Anchor Bolts Included

SPECIFICATIONS

Model	Material	Bolt	Dimensions
Quarter Master 7825	Steel		9.8"H x 13.7"W x 9.8"D
Quarter Master 7850	Steel		7.8"H x 12"W x 7.8"D



7825, 7850 Keypad



Figure A

Before using your safe:

1. First, remove the key plate cover, insert the key into the keypad and open the door (**Figure A, B**).

IMPORTANT: Please do not store the door keys in your safe!

2. Next, remove the battery cover plate located on the inside of the door and install the 4 AA 1.5V batteries provided (**Figure C**). Replace the battery cover.



Figure B

To setup or change a passcode:

1. With door open, locate the red button (**Figure D**) on the back of door near the hinge. Press the red button, listen for a beep and then enter your new user passcode. New user passcodes may be 3 to 6 digits long.
2. Immediately after entering your new code, press the "A" or "B" button on the keypad. Your new user code is now stored.

Note: This safe stores up to 2 passcodes simultaneously; a user and manager code. Entering a third code will erase the first passcode entered.

**Your safe comes with a set of keys.
Keep secure in a safe place.**



Figure C, 7825, 7850 Battery Covers

Please do not store keys in safe!

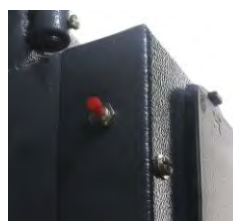


Figure D

Quarter Master 7825, 7850 Electronic/ Digital Home Office Security Safe

HOW TO USE YOUR QUARTER MASTER 7825, 7850

To setup or change a manager passcode:

1. Open your safe with the passcode you wish to change and leave the door ajar.
2. Press the "0" button on the keypad twice. Press the red button, listen for a beep and then enter your new user passcode. New user passcodes may be 3 to 6 digits long.
3. Immediately after entering your new code, press the "A" or "B" button on the keypad. Your user code is now changed.

Close the safe:

Turn the knob counter-clockwise, the mechanism will automatically lock the safe.

Open the safe:

1. Input your code, then press the "B" button, the green light will turn on.
2. Turn the knob clockwise within 5 seconds, the door is opened.
3. Each key being pressed is accompanied by a buzzer and a yellow flashing light .
If the entered code is invalid the yellow light will flash and the buzzer will quickly beep and the user should enter the correct code again.

CAUTION: Entering an incorrect code 3 times will freeze the system for 20 seconds.

Changing the Battery:

If both the red and green lights are on while safe opened, this indicates that the batteries must be changed. To be sure the batteries are correctly installed please test *before* you close the safe's door. Use 4 x AA Alkaline Batteries only.

GENERAL SAFETY PRECAUTIONS



IMPORTANT!

DO NOT OPERATE SAFE OR LEAVE SAFE OPEN AROUND CHILDREN. CHILDREN MAY BECOME TRAPPED AND RISK SUFFOCATION.

Follow these general gun safety rules:

1. Always keep guns unloaded until ready to use.
2. Make sure your guns are well-maintained and safe to operate. Clean and maintain your guns regularly.
3. Never use drugs or alcohol when handling, using or storing firearms.
4. Use only the correct ammunition for your gun.
5. Store guns away from unauthorized persons.
6. Know how to use your gun safely. Never point a gun at something you are not willing to destroy.
7. Know your target and what is beyond.

Quarter Master 7700 Digital Keypad Premium Home Office Security Wall Safe

- ⚡ Solid Steel Construction
- ⚡ Inside Tamper-Proof Hinges
- ⚡ Easy to Program & Operate
- ⚡ Powder-Coated Interior & Exterior
- ⚡ Resists Hand & Mechanical Tool Attacks
- ⚡ Code can be changed infinitely
- ⚡ Frame around the front of Safe conceals lines that are not cut straight along drywall
- ⚡ Pre-Drilled Holes for Anchoring to Wall Anchor Bolts Included
- ⚡ Fits between the studs; Easy to install

SPECIFICATIONS

Model	Material	Bolt	Dimensions
Quarter Master 7700	Steel		22"H x 16"W x 4"D

HOW TO USE YOUR QUARTER MASTER 7700

Before using your safe:

1. First, insert the key into the keypad and open the door (**Figure A**).
IMPORTANT: Please do not store the door keys in your safe!
2. Next, remove the battery cover plate located on the inside of the door and install the 4 AA 1.5V batteries provided (**Figure B**). Replace the battery cover.



Figure A

To setup or change a passcode:

1. With door open, locate the red button on the back of door near the hinge (**Figure C**). Press the red button, listen for a beep and then enter your new user passcode. New user passcodes may be 3 to 6 digits long.
2. Immediately after entering your new code, press the "A" or "B" button on the keypad. Your new user code is now stored.



Figure B

Note: This safe stores up to 2 passcodes simultaneously; a user code and a manager code. Entering a third code will erase the first passcode entered.
Your safe comes with a set of keys. Please do not store keys in safe!
Keep secure in a safe place.



Figure C

Quarter Master 7700 Electronic/ Digital Home Office Security Wall Safe

HOW TO USE YOUR QUARTER MASTER 7700

To setup or change a manager passcode:

1. Open your safe with the passcode you wish to change and leave the door ajar.
2. Press the "0" button on the keypad twice. Press the red button, listen for a beep and then enter your new user passcode. New user passcodes may be 3 to 6 digits long.
3. Immediately after entering your new code, press the "A" or "B" button on the keypad. Your user code is now changed.

Close the safe:

Turn the knob counter-clockwise, the mechanism will automatically lock the safe.

Open the safe:

1. Input your code, then press the "B" button, the green light will turn on.
2. Turn the knob clockwise within 5 seconds, the door is opened.
3. Each key being pressed is accompanied by a buzzer and a yellow flashing light .
If the entered code is invalid the yellow light will flash and the buzzer will quickly beep and the user should enter the correct code again.

CAUTION: Entering an incorrect code 3 times will freeze the system for 20 seconds.

Changing the Battery:

If both the red and green lights are on while safe opened, this indicates that the batteries must be changed. To be sure the batteries are correctly installed please test *before* you close the safe's door. Use 4 x AA Alkaline Batteries only.

GENERAL SAFETY PRECAUTIONS



IMPORTANT!

DO NOT OPERATE SAFE OR LEAVE SAFE OPEN AROUND CHILDREN. CHILDREN MAY BECOME TRAPPED AND RISK SUFFOCATION.

Follow these general gun safety rules:

1. Always keep guns unloaded until ready to use.
2. Make sure your guns are well-maintained and safe to operate. Clean and maintain your guns regularly.
3. Never use drugs or alcohol when handling, using or storing firearms.
4. Use only the correct ammunition for your gun.
5. Store guns away from unauthorized persons.
6. Know how to use your gun safely. Never point a gun at something you are not willing to destroy.
7. Know your target and what is beyond.

Quarter Master 7750 Digital Keypad Deluxe Home Office Security Wall Safe

- ⚡ Solid Steel Construction
- ⚡ Inside Tamper-Proof Hinges
- ⚡ Easy to Program & Operate
- ⚡ Powder-Coated Interior & Exterior
- ⚡ Resists Hand & Mechanical Tool Attacks
- ⚡ Code can be changed infinitely
- ⚡ Frame around the front of Safe conceals lines that are not cut straight along drywall
- ⚡ Pre-Drilled Holes for Anchoring to Wall Anchor Bolts Included
- ⚡ Fits between the studs; Easy to install

SPECIFICATIONS

Model	Material	Bolt	Dimensions
Quarter Master 7750	Steel		22"H x 16"W x 4"D



7750 Keypad

HOW TO USE YOUR QUARTER MASTER 7750

Before using your safe:

1. First, remove the key plate cover as shown in **Figure A, B** and set aside. Then insert the key into the door lock and open the door (**Figure C**).

IMPORTANT: Please do not store the door keys in your safe!

2. Next, remove the battery cover plate located on the inside of the door and install the 4 AA 1.5V batteries provided (**Figure D**). Replace the battery cover.



Figure A

To setup or change a passcode:

1. With door open, locate the red button on the back of door near the hinge (**Figure E**). Press the red button, listen for a beep and then enter your new user passcode. New user passcodes may be 3 to 6 digits long.
2. Immediately after entering your new code, press the "A" or "B" button on the keypad. Your new user code is now stored.



Figure B

Note: This safe stores up to 2 passcodes simultaneously; a user and manager code. Entering a third code will erase the first passcode entered.

Your safe comes with a set of keys. Please do not store keys in safe! Keep secure in a safe place.



Figure C



Figure D



Figure E

Quarter Master 7750 Electronic/ Digital Home Office Security Wall Safe

HOW TO USE YOUR QUARTER MASTER 7750

To setup or change a manager passcode:

1. Open your safe with the passcode you wish to change and leave the door ajar.
2. Press the "0" button on the keypad twice. Press the red button, listen for a beep and then enter your new user passcode. New user passcodes may be 3 to 6 digits long.
3. Immediately after entering your new code, press the "A" or "B" button on the keypad. Your user code is now changed.

Close the safe:

Turn the knob counter-clockwise, the mechanism will automatically lock the safe.

Open the safe:

1. Input your code, then press the "B" button, the green light will turn on.
2. Turn the knob clockwise within 5 seconds, the door is opened.
3. Each key being pressed is accompanied by a buzzer and a yellow flashing light .
If the entered code is invalid the yellow light will flash and the buzzer will quickly beep and the user should enter the correct code again.

CAUTION: Entering an incorrect code 3 times will freeze the system for 20 seconds.

Changing the Battery:

If both the red and green lights are on while safe opened, this indicates that the batteries must be changed. To be sure the batteries are correctly installed please test *before* you close the safe's door. Use 4 x AA Alkaline Batteries only.

GENERAL SAFETY PRECAUTIONS



IMPORTANT!

DO NOT OPERATE SAFE OR LEAVE SAFE OPEN AROUND CHILDREN. CHILDREN MAY BECOME TRAPPED AND RISK SUFFOCATION.

Follow these general gun safety rules:

1. Always keep guns unloaded until ready to use.
2. Make sure your guns are well-maintained and safe to operate. Clean and maintain your guns regularly.
3. Never use drugs or alcohol when handling, using or storing firearms.
4. Use only the correct ammunition for your gun.
5. Store guns away from unauthorized persons.
6. Know how to use your gun safely. Never point a gun at something you are not willing to destroy.
7. Know your target and what is beyond.

SureDrop 7875 Digital Keypad Depository Safe

⚡ Extra Thick 11 Gauge Solid Steel Construction

⚡ Easy to Program & Operate

⚡ Resists Hand & Mechanical Tool Attacks

⚡ Opens by Key or Electronic Lock

⚡ Inside Tamper-Proof Hinges

⚡ Powder-Coated Interior & Exterior

⚡ Code can be changed infinitely

⚡ Pre-Drilled Holes for Anchoring to Wall

⚡ Front loading, fitted with a Sawtooth edge tilting baffle plate to prevent "fishing out"

SPECIFICATIONS

Model	Material	Bolt	Dimensions
SureDrop 7875	Steel	Deposit	10"H x 14"W x 10"D



7875 Keypad

HOW TO USE YOUR SUREDROP 7875

Before using your safe:

1. First, remove the key plate cover, insert the key into the keypad and open the door (**Figure A, B**).

IMPORTANT: Please do not store the door keys in your safe!

2. Next, remove the battery cover plate located on the inside of the door and install the 4 AA 1.5V batteries provided (**Figure C**). Replace the battery cover.

To setup or change a passcode:

1. With door open, locate the red button on the back of door near the hinge. Press the red button, listen for a beep and then enter your new user passcode. New user passcodes may be 3 to 6 digits long.
2. Immediately after entering your new code, press the "A" or "B" button on the keypad. Your new user code is now stored.

Note: This safe stores up to 2 passcodes

simultaneously; a user and manager code. Entering a third code will erase the first passcode entered. **Your safe comes with a set of keys. Please do not store keys in safe! Keep secure in a safe place.**



Figure A



Figure B



Figure C

SureDrop 7875 Digital Keypad Depository Safe

HOW TO USE YOUR SUREDROP 7875

To setup or change a manager passcode:

1. Open your safe with the passcode you wish to change and leave the door ajar.
2. Press the "0" button on the keypad twice. Press the red button, listen for a beep and then enter your new user passcode. New user passcodes may be 3 to 6 digits long.
3. Immediately after entering your new code, press the "A" or "B" button on the keypad. Your user code is now changed.

Close the safe:

Turn the knob counter-clockwise, the mechanism will automatically lock the safe.

Open the safe:

1. Input your code, then press the "B" button, the green light will turn on.
2. Turn the knob clockwise within 5 seconds, the door is opened.
3. Each key being pressed is accompanied by a buzzer and a yellow flashing light .
If the entered code is invalid the yellow light will flash and the buzzer will quickly beep and the user should enter the correct code again.

CAUTION: Entering an incorrect code 3 times will freeze the system for 20 seconds.

Changing the Battery:

If both the red and green lights are on while safe opened, this indicates that the batteries must be changed. To be sure the batteries are correctly installed please test *before* you close the safe's door. Use 4 x AA Alkaline Batteries only.

GENERAL SAFETY PRECAUTIONS



IMPORTANT!

DO NOT OPERATE SAFE OR LEAVE SAFE OPEN AROUND CHILDREN. CHILDREN MAY BECOME TRAPPED AND RISK SUFFOCATION.

Follow these general gun safety rules:

1. Always keep guns unloaded until ready to use.
2. Make sure your guns are well-maintained and safe to operate. Clean and maintain your guns regularly.
3. Never use drugs or alcohol when handling, using or storing firearms.
4. Use only the correct ammunition for your gun.
5. Store guns away from unauthorized persons.
6. Know how to use your gun safely. Never point a gun at something you are not willing to destroy.
7. Know your target and what is beyond.

SureDrop 7925 Digital Keypad Deluxe Depository Safe & SureDrop 7900 Digital Keypad Double Depository Safe

- ⚡ Extra Thick 11 Gauge Solid Steel Construction
- ⚡ Easy to Program & Operate
- ⚡ Resists Hand & Mechanical Tool Attacks
- ⚡ Opens by Key or Electronic Lock
- ⚡ Inside Tamper-Proof Hinges
- ⚡ Powder-Coated Interior & Exterior
- ⚡ Code can be changed infinitely
- ⚡ Pre-Drilled Holes for Anchoring to Wall
- ⚡ Front loading, fitted with a Sawtooth edge tilting baffle plate to prevent "fishing out"

Note: 7900 is a **Double Drop** or two separate safes in one!

SPECIFICATIONS

Model	Material	Bolt	Dimensions
SureDrop 7900	Steel	Double Deposit with top drop	30.5"H x 14.5"W x 14"D
SureDrop 7925	Steel	Deposit	17.7"H x 13.7"W x 12"D

HOW TO USE YOUR SUREDROP 7900, 7925

Before using your safe:

1. First, remove the battery cover plate on the keypad and open the door with the key provided (**Figure A**). Keep the door open. **IMPORTANT: Please do not store the door keys in your safe!**
2. Next, install the 4 AA 1.5V batteries provided (**Figure B**). Replace the battery cover.

To setup or change a user passcode:

1. With door open, locate the red button on the back of door near the hinge (**Figure C**). Press the red button, and the screen will display "-----". Immediately press the Start button on the keypad and enter your new user passcode. New user passcodes should be 6 digits long. **Note:** This safe stores up to 2 passcodes simultaneously; a user code and a manager code.
2. Immediately after entering your new code, the screen should display "IN". Your new user code is now stored. Entering a third code will erase the first passcode entered. If the screen does not display "IN" after entering a passcode, repeat steps 1-2 above making sure to press the Start button quickly after pressing the red button. **Your safe comes with a set of keys. Please do not store keys in safe! Keep secure in a safe place.**



Figure A



Figure B



Figure C



Figure D

SureDrop 7925 Digital Keypad Deluxe Depository Safe & SureDrop 7900 Digital Keypad Double Depository Safe

HOW TO USE YOUR SUREDROP 7900, 7925

To setup or change a manager passcode:

1. Open your safe with the passcode you wish to change and leave the door ajar.
2. Press the Start button on the keypad. Enter your new 6 digit passcode.
3. Immediately after entering your new code, press the red button located behind the door and the keypad will display "IN". Your user code is now changed.

Close the safe:

Turn the knob counter-clockwise, the mechanism will automatically lock the safe.

Open the safe:

1. Input your 6 digit passcode.
2. Turn the knob clockwise within 5 seconds, the door is opened.

CAUTION: Entering an incorrect code 3 times will freeze the system for 20 seconds.

Changing the Battery:

If both the red and green lights are on while safe opened, this indicates that the batteries must be changed. To be sure the batteries are correctly installed please test *before* you close the safe's door. Use 4 x AA Alkaline Batteries only.

Note: The buttons on the keypad are raised...only medium pressure is needed.

GENERAL SAFETY PRECAUTIONS



IMPORTANT!

DO NOT OPERATE SAFE OR LEAVE SAFE OPEN AROUND CHILDREN. CHILDREN MAY BECOME TRAPPED AND RISK SUFFOCATION.

Follow these general gun safety rules:

1. Always keep guns unloaded until ready to use.
2. Make sure your guns are well-maintained and safe to operate. Clean and maintain your guns regularly.
3. Never use drugs or alcohol when handling, using or storing firearms.
4. Use only the correct ammunition for your gun.
5. Store guns away from unauthorized persons.
6. Know how to use your gun safely. Never point a gun at something you are not willing to destroy.
7. Know your target and what is beyond.

Quarter Master 7950 Digital Keypad Laptop Safe

- ⚡ Extra Thick 11 Gauge Solid Steel Construction
- ⚡ Easy to Program & Operate
- ⚡ Resists Hand & Mechanical Tool Attacks
- ⚡ Opens by Key or Electronic Lock
- ⚡ Inside Tamper-Proof Hinges
- ⚡ Powder-Coated Interior & Exterior
- ⚡ Code can be changed infinitely
- ⚡ Pre-Drilled Holes for Anchoring to Wall
- ⚡ Anchor Bolts Included

SPECIFICATIONS

Model	Material	Bolt	Dimensions
Quarter Master 7950	Steel	Power Cord	8.9"H x 17"W x 14.5"D

HOW TO USE YOUR QUARTER MASTER 7950

Before using your safe:

1. First, remove the center cover of the key plate on the keypad and open the door with the key provided (**Figure A**).
IMPORTANT: Please do not store the door keys in your safe!
2. Next, remove the battery cover plate located on the inside of the door and install the 4 AA 1.5V batteries provided (**Figure B**). Replace the battery cover.



7950 Keypad

To setup or change a passcode:

1. With door open, locate the red button on the back of door near the hinge (**Figure C**). Press the red button, listen for a beep and then enter your new user passcode. New user passcodes may be 3 to 6 digits long.
2. Immediately after entering your new code, press the "A" or "B" button on the keypad. Your new user code is now stored.



Figure A

Note: This safe stores up to 2 passcodes simultaneously; a user and manager code. Entering a third code will erase the first passcode entered.
Your safe comes with a set of keys. Please do not store keys in safe! Keep secure in a safe place.



Figure B



Figure C

Quarter Master 7950 Digital Keypad Laptop Safe

HOW TO USE YOUR QUARTER MASTER 7950

To setup or change a manager passcode:

1. Open your safe with the passcode you wish to change and leave the door ajar.
2. Press the "0" button on the keypad twice. Press the red button, listen for a beep and then enter your new user passcode. New user passcodes may be 3 to 6 digits long.
3. Immediately after entering your new code, press the "A" or "B" button on the keypad. Your user code is now changed.

Close the safe:

Turn the knob counter-clockwise, the mechanism will automatically lock the safe.

Open the safe:

1. Input your code, then press the "B" button, the green light will turn on.
2. Turn the knob clockwise within 5 seconds, the door is opened.
3. Each key being pressed is accompanied by a buzzer and a yellow flashing light .
If the entered code is invalid the yellow light will flash and the buzzer will quickly beep and the user should enter the correct code again.

CAUTION: Entering an incorrect code 3 times will freeze the system for 20 seconds.

Changing the Battery:

If both the red and green lights are on while safe opened, this indicates that the batteries must be changed. To be sure the batteries are correctly installed please test *before* you close the safe's door. Use 4 x AA Alkaline Batteries only.

GENERAL SAFETY PRECAUTIONS



IMPORTANT!

DO NOT OPERATE SAFE OR LEAVE SAFE OPEN AROUND CHILDREN. CHILDREN MAY BECOME TRAPPED AND RISK SUFFOCATION.

Follow these general gun safety rules:

1. Always keep guns unloaded until ready to use.
2. Make sure your guns are well-maintained and safe to operate. Clean and maintain your guns regularly.
3. Never use drugs or alcohol when handling, using or storing firearms.
4. Use only the correct ammunition for your gun.
5. Store guns away from unauthorized persons.
6. Know how to use your gun safely. Never point a gun at something you are not willing to destroy.
7. Know your target and what is beyond.