

Thank you for your purchase.

Please contact us if you have difficulty with assembly or need replacement parts.

Wuppessen Customer Service is here to assist you.

Email: customerservice@songmics.com

Please attach your User Name or Order ID so that we can assist you better.



Visit www.songmics.com or scan the QR code for more product details.

You may also find "Songmics" on Facebook and YouTube.

Introduction

General Guidelines

- Please read the following instruction carefully and use the product accordingly.
- Please keep this manual and hand it over when you transfer the product.
- This summary may not include every detail of all variations and considered steps. Please contact us when further information and help are needed.
- Copying, reselling, translating or other modification of this instruction manual is forbidden without authorization by ©Wuppessen, Inc.

Notes

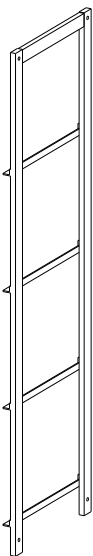
- Please assemble the product strictly according to each step outlined in the instructions.
- Do not tighten all the screws until assembly is completed.
- Wipe the rack dry with a clean cloth for daily maintenance.
- Only use the product on an even floor.
- Under even distribution, the load capacity of a drawer is 4 kg, load capacity of the long board is 90 kg, persons whose weight exceed this cannot sit on it.

Warnings

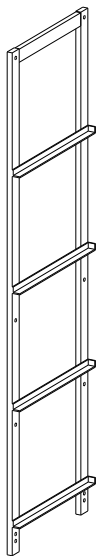
- If there are defective or missing parts, please do not use the product to avoid potential hazards.
- Children are not allowed to climb or drag the product to avoid the personal injury caused by the falling of drawer or toppling of product.
- Don't jump or play on the product.

Parts List

A × 1



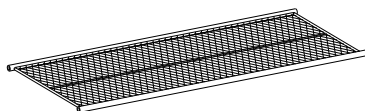
B × 1



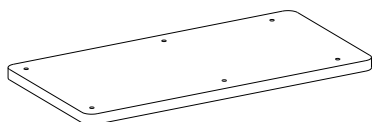
C × 1



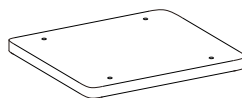
D × 2



E × 1

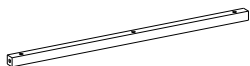


F × 1



Parts List

G × 2



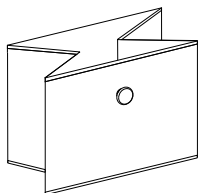
H × 2



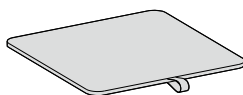
I × 2



J × 4



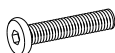
K × 4



L × 6



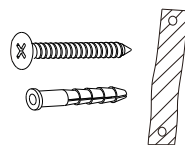
M × 16



O × 1



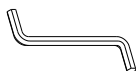
Q × 1



N × 14

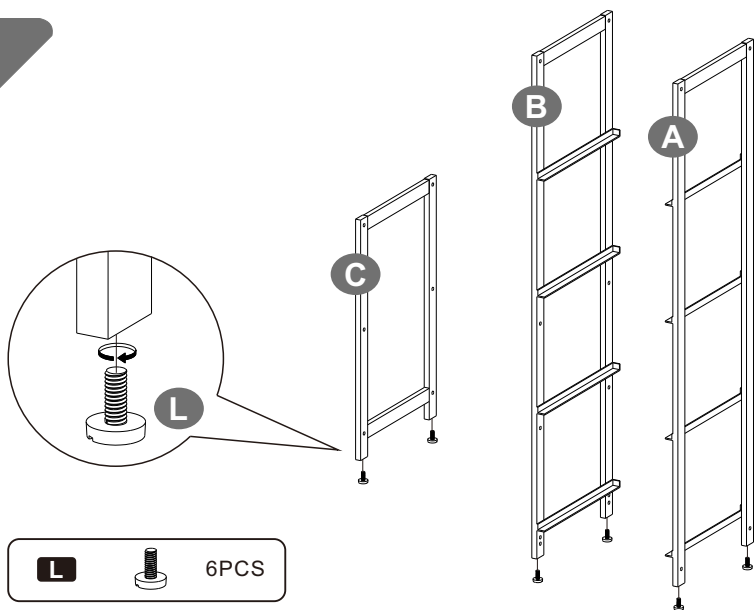


P × 1

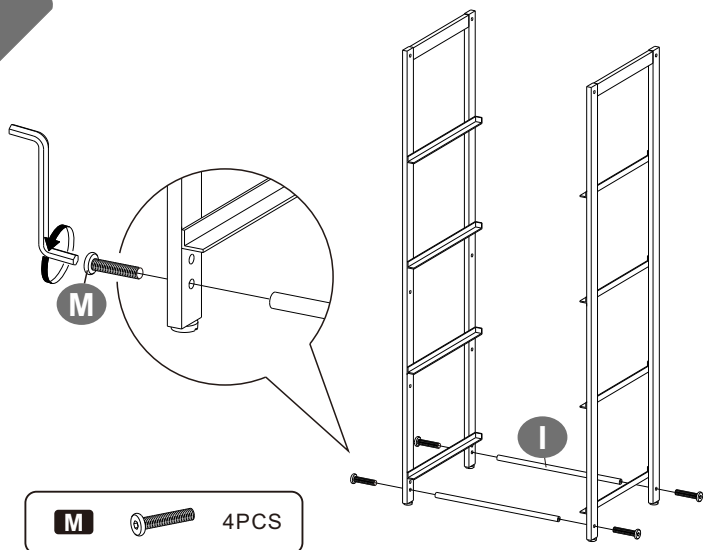


Assembly Steps

1

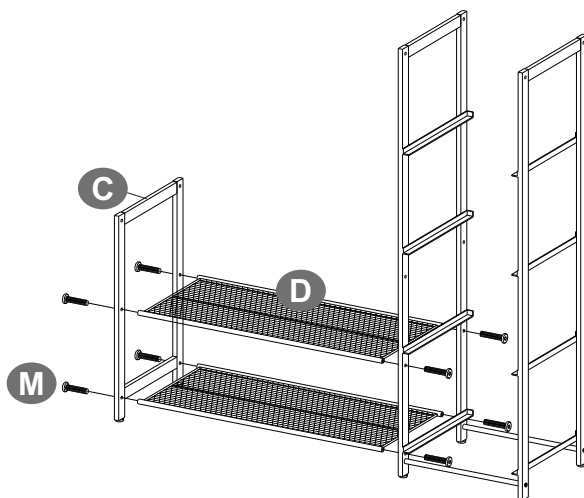


2



Assembly Steps

3

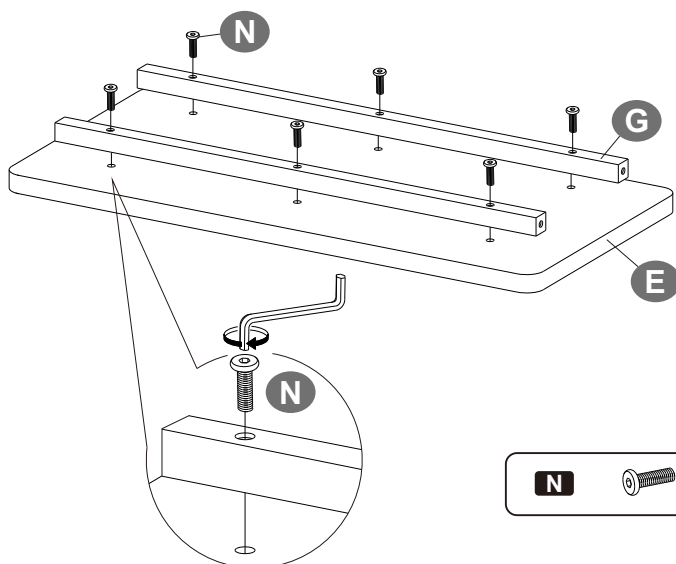


M



8PCS

4



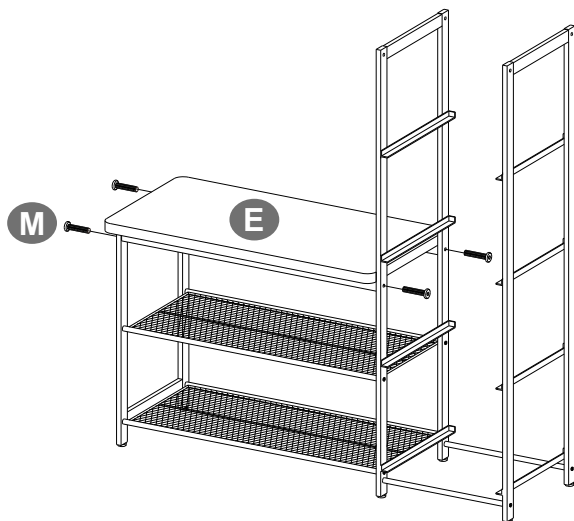
N



6PCS

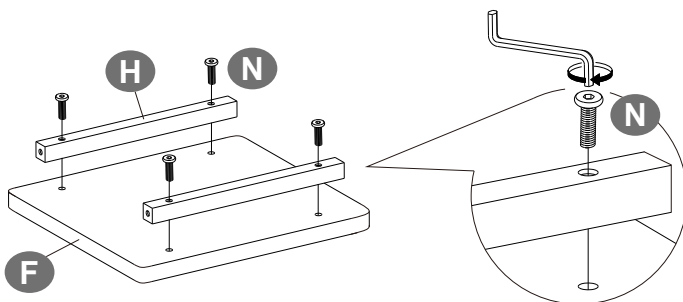
Assembly Steps

5



M  4PCS

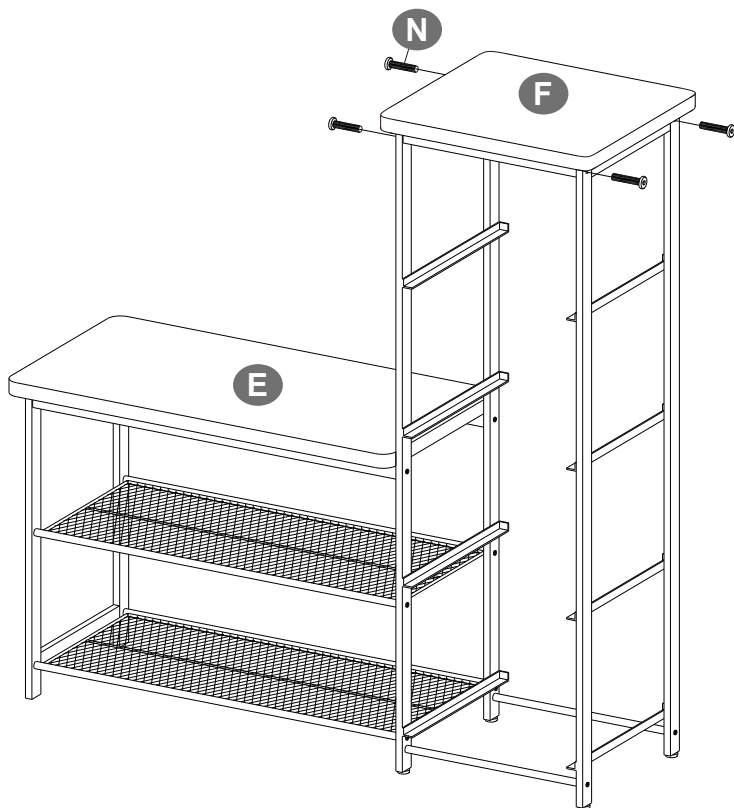
6



N  4PCS

Assembly Steps

7



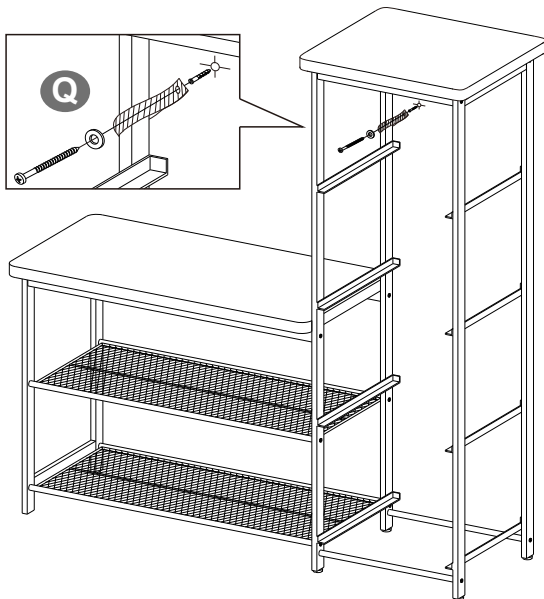
N



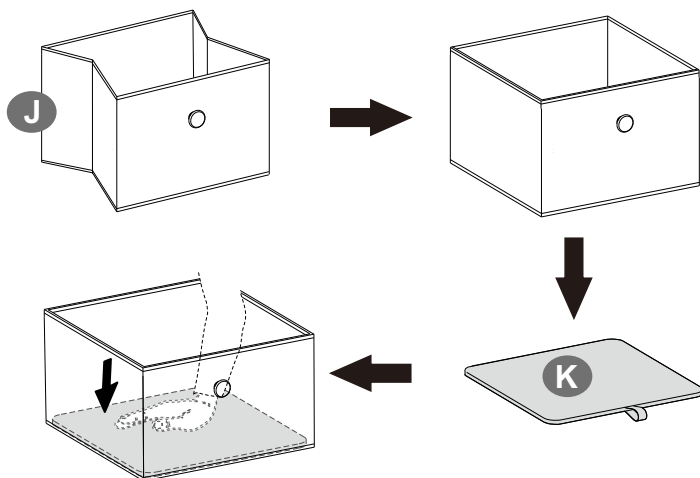
4PCS

Assembly Steps

8

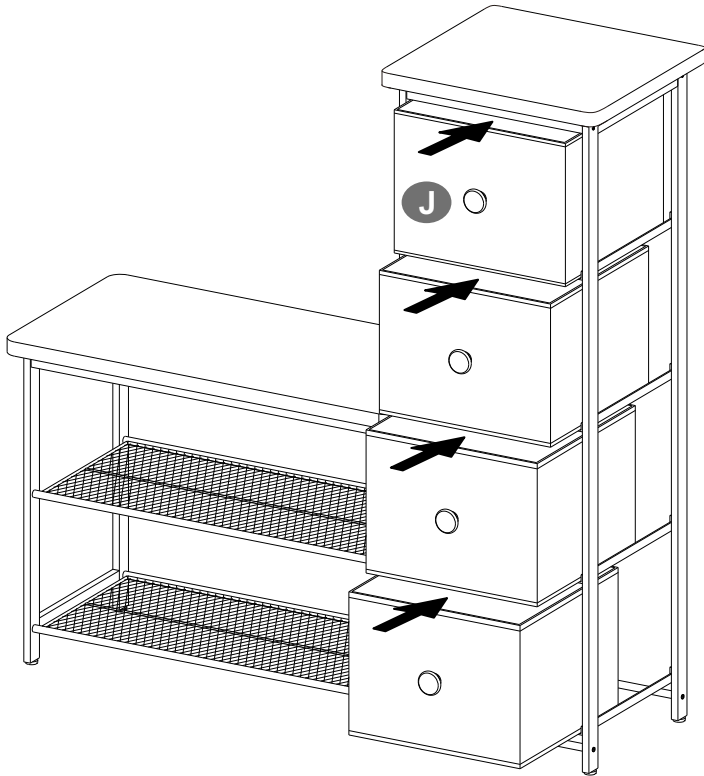


9



Assembly Steps

10



Get Free Products!

If your advice on either our product or instruction is taken, a free trial of our products will be provided!

© 2018 Wuppessen Inc. 1730 Cedar St. Ontario, CA, 91761, U.S All rights reserved.

Version QM: 1.0

Stand: 05.02.2018



Share your shopping experience with friends and families.
Like “Songmics” on Facebook for more Amazon deals & promotions.



- Discounts
- Lightning Deals
- Giveaways
- New Releases



For any questions or feedback, please email us with your order ID.
We are always striving to improve.

✉ customerservice@songmics.com

💻 www.songmics.com