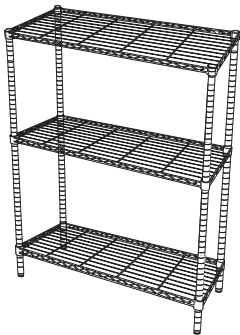


amazonbasics



3-Shelf Shelving Unit - Black

Unité De Rayonnage à 3 Étagères - Noire

Regal mit 3 Regalböden - Schwarz

Scaffale a 3 Ripiani - Nero

Módulo De 3 Estantes - Negro

3段 シェルフユニット、黒

3层置物架 - 黑色

B01LWP8AL2

English

Français

Deutsch

Italiano

Español

日本語







中文

English	3
Français	15
Deutsch.....	27
Italiano	39
Español	51
日本語	63
中文	75

3-Shelf Shelving Unit - Black

Contents:

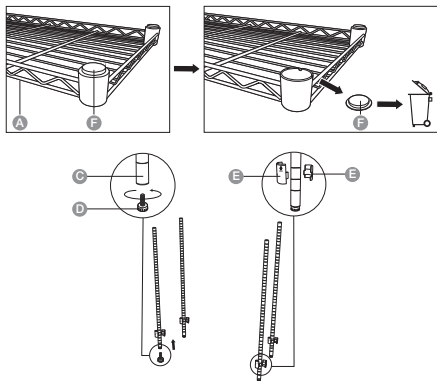
Make sure that the package contains the following parts:

Part		Qty.
A		3
B		4
C		4
D		4
E		12
F		8

Note: Discard the protective covers **F**. These are used to separate the shelves for shipping purposes.

Assembly

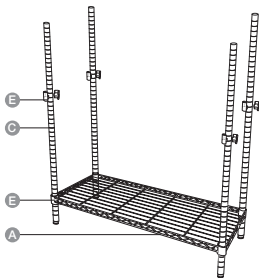
Step 1: Setting Up the Product



- Remove the protective covers **F** from the shelves **A** and dispose of them.
- Screw one foot **D** onto the bottom of each lower pole **C** in a counter-clockwise direction.
- Attach one half of the plastic sleeve **E** to each lower pole. Then attach the other half of the plastic sleeve to each lower pole, so both halves are connected with each other. The arrow above the **TOP** marks on the plastic sleeves should point upwards. Four plastic sleeves are necessary to support one shelf.

Assembly

Step 2: Setting Up the Product



- Put the first shelf **A** onto the poles **C** and lower it down until it rests on the plastic sleeves **E**.
- Attach another set of plastic sleeves to each lower pole for the second shelf from the bottom.

English

Français

Deutsch

Italiano

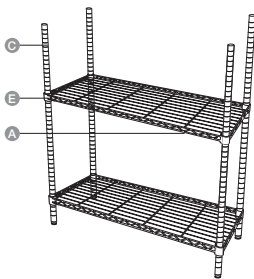
Español

日本語

中文

Assembly

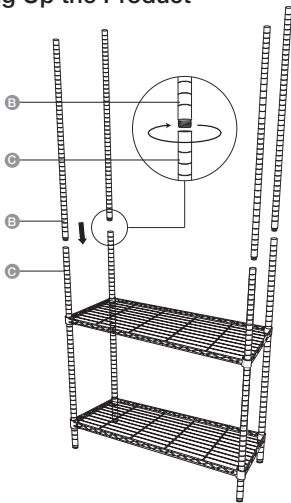
Step 3: Setting Up the Product



- Put the next shelf **A** onto the poles **B** and lower it down until it rests on the plastic sleeves **C**.

Assembly

Step 4: Setting Up the Product



- Screw the upper poles **B** onto the lower poles **C** in a clockwise direction.

English

Français

Deutsch

Italiano

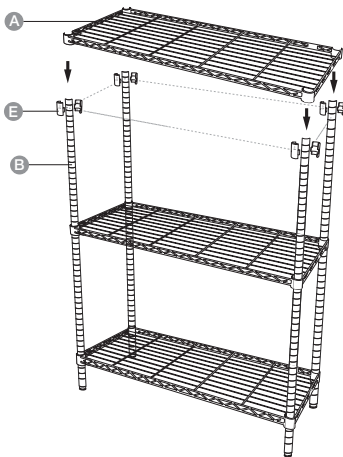
Español

日本語

中文

Assembly

Step 5: Setting Up the Product



- Attach one set of plastic sleeves **E** to the upper poles **B**.
- Put the last shelf **A** onto the poles **B** and lower it down until it rests on the plastic sleeves **E**.

Cleaning and Maintenance

- Wipe with a dry cloth as needed to remove dust and dirt.
- Avoid contact with corrosive substances like acids, alkaline or similar substances.

Safety and Compliance

- **Warning:** Do not let children climb on or play with the unit.
- Handle with care.
- For ease and efficiency, the product should be assembled by two adults.
- Regularly check if all screw connections are tight and if all shelves are attached in a stable way.
- To avoid scratching the floor, assemble the shelving unit on a soft surface such as a carpet.
- **Warning:** Make sure not to drill into water or electricity lines when securing the shelving unit on the wall.
Use a wire tracer and/or a water pipe finder if necessary.
- Load the unit evenly and place the heaviest items on the lower shelves.

Specifications

Maximum Load	US Standard	Metric
Shelving unit	750 lbs	340 kg
One single shelf	250 lbs	113.6 kg

English

Warranty Information

To obtain a copy of the warranty for this product:



Visit amazon.com/AmazonBasics/Warranty

— or —



Contact Customer Service at 1-866-216-1072

Français

Deutsch

Italiano

Español

日本語

中文

Feedback

Love it? Hate it?

Let us know with a customer review.

AmazonBasics is committed to delivering customer-driven products that live up to your high standards. We encourage you to write a review sharing your experiences with the product.

Please visit: amazon.com/review/review-your-purchases#



For further services:



Visit amazon.com/gp/help/customer/contact-us

— or —



Contact Customer Service at 1-866-216-1072

English

Français

Deutsch

Italiano

Español

日本語

中文