

# GE Z-Wave In-wall Add-On Switch



## Specifications

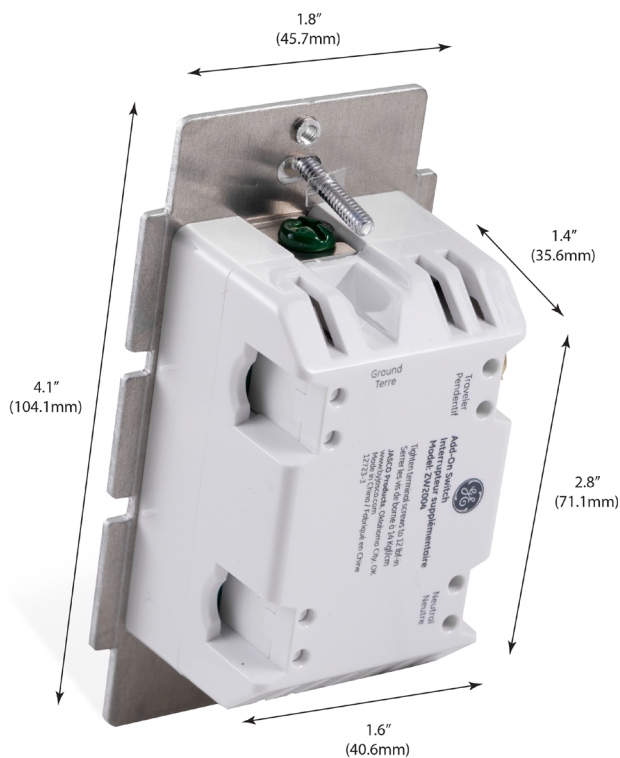
**Power:** 120VAC, 60Hz

**Operating Temperature:** 32-104° F (0-40° C)

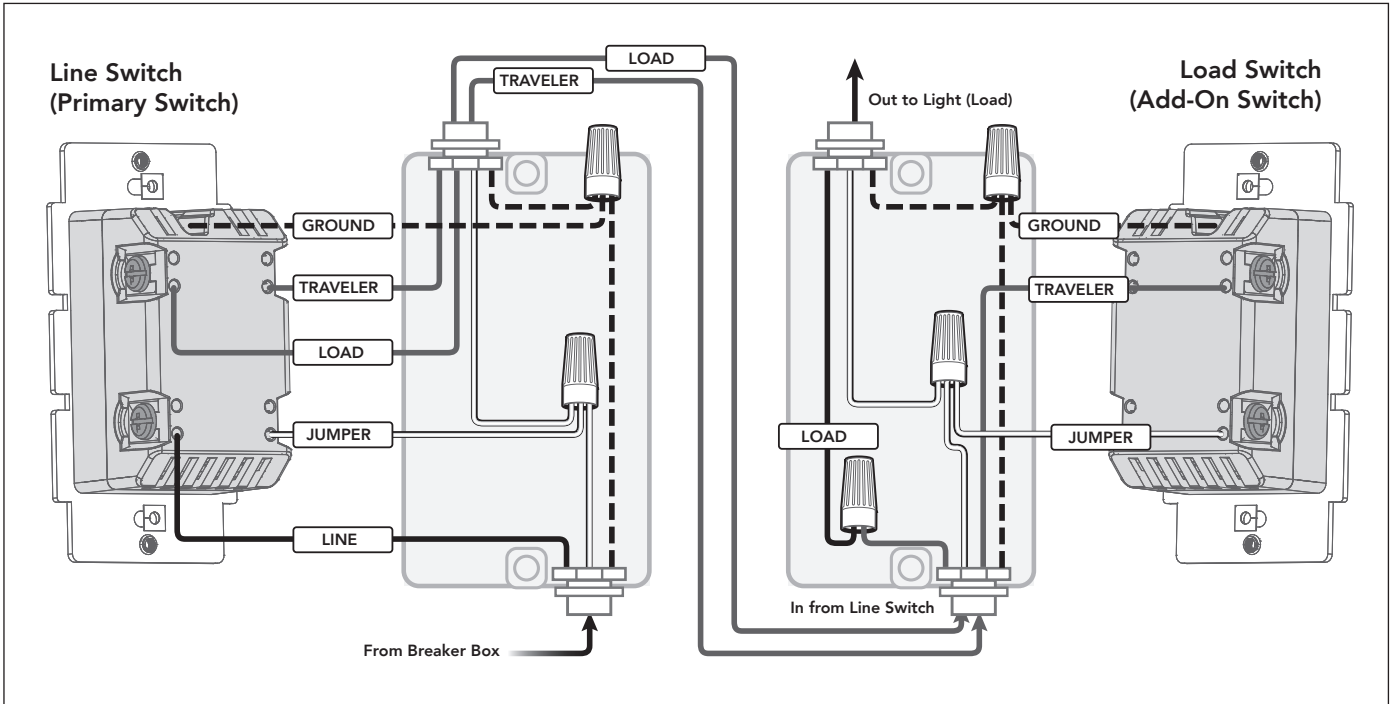
**Switch must be mounted indoors**

## Design Features

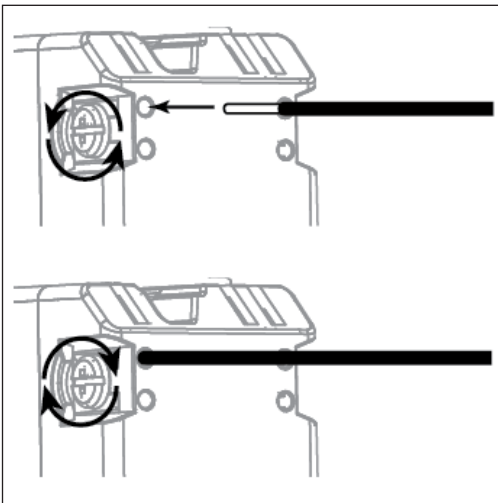
- 12728 For use in 3, 4, 5, or 6-way wiring configurations with:
  - GE 300 Series Z-Wave models: 12727 and 12729
  - GE 500 Series Z-Wave models: 14292 and 14293
- Requires wiring connections Neutral, Traveler and Ground
- Use a standard-size wall plate for single gang installations (wall plate not included); Multi-gang box option available (removable 'side wings')
- Toggle style switch to match existing switches
- Maximum number of Add-On Switches connected to primary switch: 4
- Maximum traveler wire distance: 400ft., interconnected between 4 Add-On switches
- No more than 100ft between each switch
- Maximum traveler wire distance between primary and (1) Add-On switch: 250ft
- Not for direct control of load (Not a standalone switch)
- Requires GE Smart Control for operation



Multi-Location Wiring



Space-Saving Screw Terminals



Installation Recommendations:

- Devices require a 1-gang U.S. wall box. 3½ in deep recommended, 2¼ in deep minimum.
- Indoor use only
- Visit <http://www.ezzwave.com/hubs/> for hub compatibility
- Wallplates sold separately
- Trilingual Instruction manual – (English, French, Spanish)

Certifications & Compliances



Compliances, specifications and availability are subject to change without notice  
 Distributed by Jasco Products Company LLC  
 10 E. Memorial Rd., Oklahoma City, OK  
 ©Jasco 2018

Related Products - GE Z-Wave Smart Controls



- |   |   |  |  |   |
|---|---|--|--|---|
| <b>14292</b><br>In-Wall<br>Smart Switch | <b>14295</b><br>In-Wall<br>Smart Dimmer | <b>26931</b><br>In-Wall Smart<br>Motion Switch | <b>26933</b><br>In-Wall Smart<br>Motion Dimmer | <b>14288</b><br>In-Wall<br>Smart Outlet |
|---|---|--|--|---|