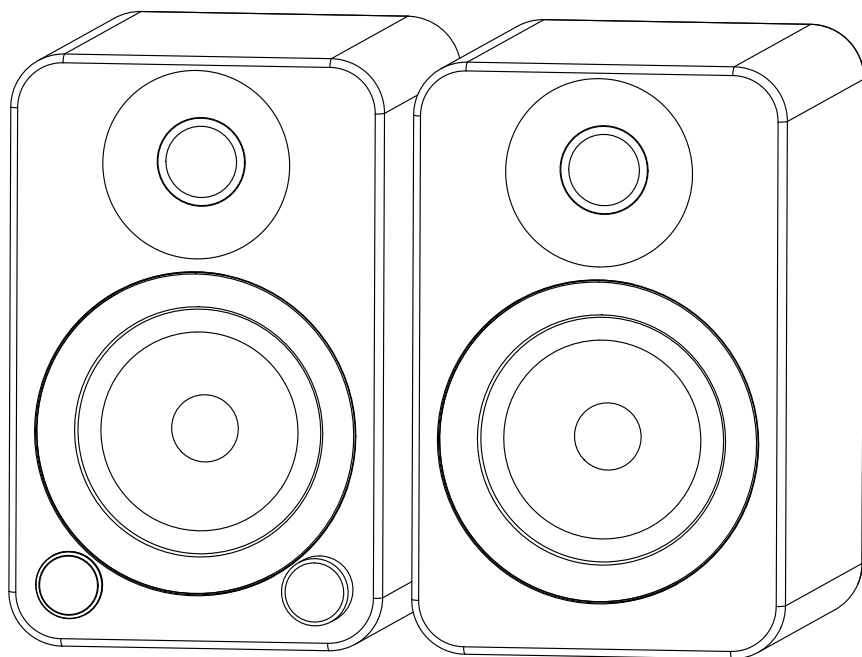


kanto 

English
User Manual
YU3 Powered Speakers



kanto 
YU3

POWERED SPEAKERS

Important Safety Precautions



ATTENTION

The exclamation point within an equilateral triangle is intended to alert the user of the presence of important operating and maintenance (servicing) instructions in the literature accompanying the apparatus.

- Read these instructions.
- Keep these instructions.
- Heed all warnings.
- Follow all instructions.
- Do not use this apparatus near water.
- Clean only with a dry cloth.
- Do not block any ventilation openings. Install in accordance with the manufacturer's instructions.
- Do not install near any heat sources such as radiators, heat registers, stoves, or other apparatus (including amplifiers) that produce heat.
- Protect the power-supply cord from being walked on or pinched, particularly at plugs, convenience receptacles and the point where they exit from the apparatus.
- Only use attachments / accessories specified by the manufacturer.
- Use only with the cart, stand, tripod, bracket, or table specified by the manufacturer, or sold with the apparatus.



CAUTION: TO REDUCE THE RISK OF ELECTRIC SHOCK, DO NOT REMOVE BACK PANEL. NO USER SERVICEABLE PARTS INSIDE. REFER SERVICING TO QUALIFIED SERVICE PERSONNEL.



DANGEROUS VOLTAGE

The lightning flash with arrowhead, within an equilateral triangle, is intended to alert the user of the presence of non-insulated "dangerous voltage" within the product's enclosure that may be of sufficient magnitude to constitute a risk of electric shock to persons.

- When a cart is used, use caution when moving the cart/apparatus combination to avoid injury from tip-over.
- Unplug this apparatus during lightning storms or when unused for long periods of time.
- Refer all servicing to qualified service personnel. Servicing is required when the apparatus has been damaged in any way, such as power-supply cord or plug is damaged, liquid has been spilled or objects have fallen into the apparatus, the apparatus has been exposed to rain or moisture, the apparatus does not operate normally, or the apparatus has been dropped.
- Apparatus shall be connected to a MAINS socket outlet with a protective earthing connection.
- An appliance input coupler is used as the disconnect device - the disconnect device shall remain readily operable.
- Batteries or battery packs shall not be exposed to excessive heat such as sunshine, fire or the like.

FCC Notice:

This device complies with part 15 of the FCC Rules. Operation is subject to the following two conditions: (1) this device may not cause harmful interference, and (2) this device must accept any interference received, including interference that may cause undesired operation.

NOTE 1: This equipment has been tested and found to comply with the limits for a Class B digital device, pursuant to part 15 of the FCC rules. These limits are designed to provide reasonable protection against harmful interference in a residential installation. This equipment generates, uses and can radiate radio frequency energy and, if not installed and used in accordance with the instructions, may cause harmful interference to radio communications. However there is no guarantee that interference will not occur in a particular installation. If this equipment does cause harmful interference to radio or television reception, which can be determined by turning the equipment off and on, the user is encouraged to try to correct the interference by one or more of the following measures:

- Reorient or relocate the receiving antenna
- Increase the separation between the equipment and receiver
- Connect the equipment into an outlet on a circuit different from that to which the receiver is connected
- Consult the dealer or an experienced radio/TV technician for help

NOTE 2: Any changes or modifications to this unit not expressly approved by the party responsible for compliance could void the user's authority to operate the equipment.

Industry Canada Notice:

This device complies with Industry Canada's licence-exempt RSSs.

Operation is subject to the following two conditions: (1) this device may not cause interference, and (2) this device must accept any interference, including interference that may cause undesired operation of the device.

Under Industry Canada regulations, this radio transmitter may only operate using an antenna of a type and maximum (or lesser) gain approved for the transmitter by Industry Canada. To reduce potential radio interference to other users, the antenna type and its gain should be so chosen that the equivalent isotropically radiated power (e.i.r.p.) is not more than that necessary for successful communication.

This device complies with Canadian ICES-003 and RSS-210

Le présent appareil est conforme aux CNR d'Industrie Canada applicables aux appareils radio exempts de licence

L'exploitation est autorisée e aux deux conditions suivantes:

(1) l'appareil ne doit pas produire de brouillage, et

(2) l'utilisateur de l'appareil doit accepter tout brouillage radioélectrique subi, même si le brouillage est susceptible d'en le fonctionnement.

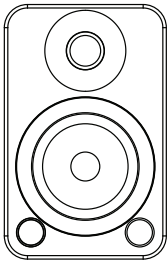
Introduction

Thank you for choosing YU3 Powered Speakers, designed by Kanto in Canada. YU3 outputs 30 W RMS per channel into 4 Ohm speakers, for remarkably bold and clean sound. Excellent sensitivity and frequency response provide deep thumping lows and clear, scintillating highs. YU3 is an amazingly flexible speaker system that can accept five input sources and connect to a subwoofer for enhanced low frequency effects (LFE). Additionally, it is equipped with the latest Bluetooth technology and a USB port for charging USB devices. YU3 operates on a multi-voltage power source from 110 V to 240 V and can be used worldwide.

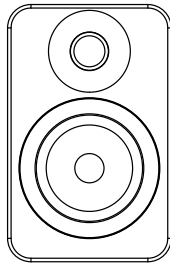
We recommend you read all instructions carefully before using the system and keep them for future reference. Kanto cannot be liable for damage or injury caused by incorrect setup or use of this product.

This powered speaker system was carefully tested and inspected during production, and before packaging and shipping. After unpacking, please check for any damage. It is rare that a unit is damaged during shipping, but if this happens contact your retailer immediately. You can also call Kanto directly at 1-888-848-2643 or email support@kantoliving.com.

What's In the Box?



YU3 Active Speaker
(Left Channel)



YU3 Passive Speaker
(Right Channel)



YU3 Remote



x2

'AAA' Batteries



x3

User Manuals



x8

Self-Adhesive Rubber Feet



Power Cord



Speaker Wire



3.5 mm cable AUX

Front & Rear Panels

FRONT PANEL

- 1 1" Silk Dome Tweeter
- 2 4" Kevlar Mid/Woofer Driver
- 3 LED
 - Blue - Power on / Playback Mode
 - Yellow - Standby (solid)
 - Mute (flashing)
- White - Discover Mode (flashing)
- Paired (solid)
- 4 Volume / Input Select Knob

REAR PANEL

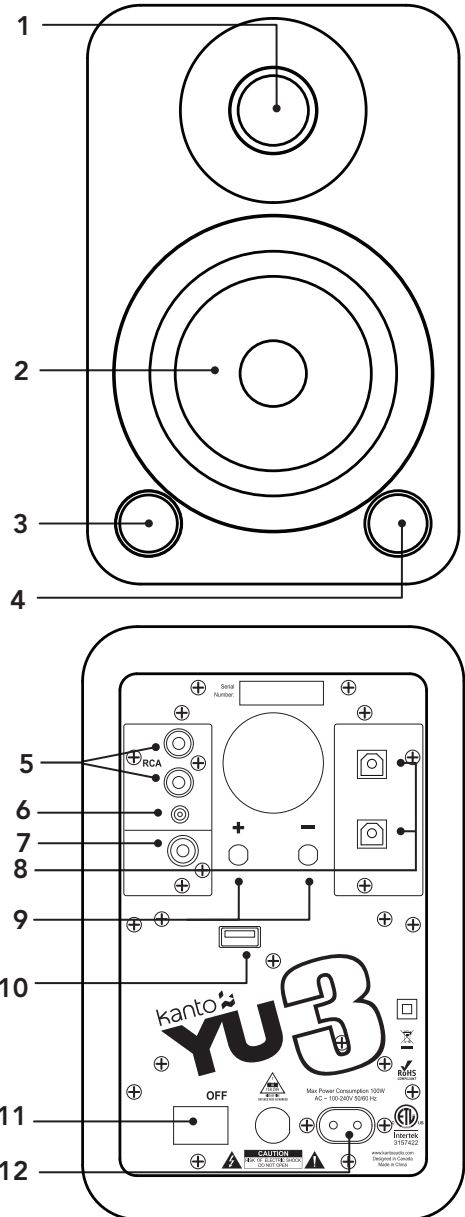
- 5 RCA L/R Input
- 6 3.5 mm Stereo Mini-Jack AUX Input
- 7 Subwoofer Output
- 8 Optical 1 and Optical 2 Inputs
- 9 Right Channel Output Terminals (+ and -) for Passive Speaker Connection
- 10 USB Charge Port (5 V 1.0A)
- 11 ON / OFF Switch
- 12 AC Input Connection (100 V - 240 V)

Volume/Input Select Knob

YU3's volume knob functions as an input select knob as well.

Push the knob to select an input source - it cycles through the following inputs depending on what input source was last used.

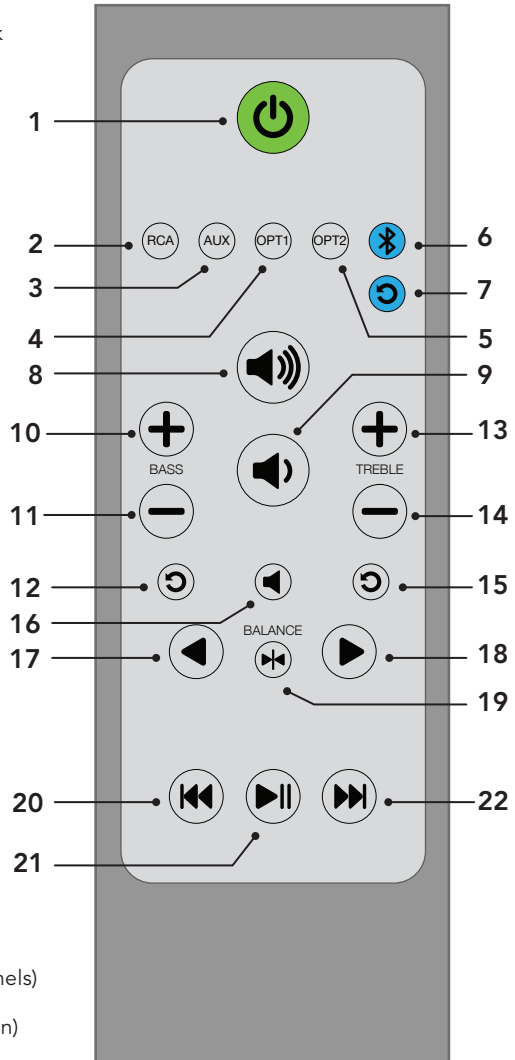
RCA → AUX → OPT1 → OPT2 → BLUETOOTH



Remote Control

Install two supplied AAA batteries in the back of your YU3 remote. Remote Control functions are listed below.

- 1 Standby Button - press to enter Standby Mode or return to Playback Mode
- 2 RCA Input Select
- 3 3.5 mm Stereo Mini-Jack AUX Input Select
- 4 Optical 1 Input Select
- 5 Optical 2 Input Select
- 6 Bluetooth® Input Select
- 7 Bluetooth® Reset
- 8 Increase Volume
- 9 Decrease Volume
- 10 Increase Bass Output
- 11 Decrease Bass Output
- 12 Reset Bass Output
- 13 Increase Treble Output
- 14 Decrease Treble Output
- 15 Reset Treble Output
- 16 Mute
- 17 Balance Control Left Channel
- 18 Balance Control Right Channel
- 19 Reset Balance (Left and Right Channels)
- 20 Previous Track (Bluetooth® Operation)
- 21 Play / Pause (Bluetooth® Operation)
- 22 Next Track (Bluetooth® Operation)



Setting Up Your Speakers

The YU3 powered speaker system is designed for either bookshelf or stand mounting. The stands should be of rigid construction, between 45 cm to 69 cm high and preferably have spikes. We recommend the Kanto SP26 speaker stands to go with your YU3.

The space between the two speakers and the distance from the listener is important. If the speakers are positioned too close or too far apart, stereo imaging will not be fully developed.

YU3 is designed to perform optimally positioned at least 20 cm from the rear wall in an average listening room. However, it may not be possible to install the speakers in this position and since rooms vary in shape, size, and furnishing, a certain amount of experimentation is necessary to determine the most suitable position.

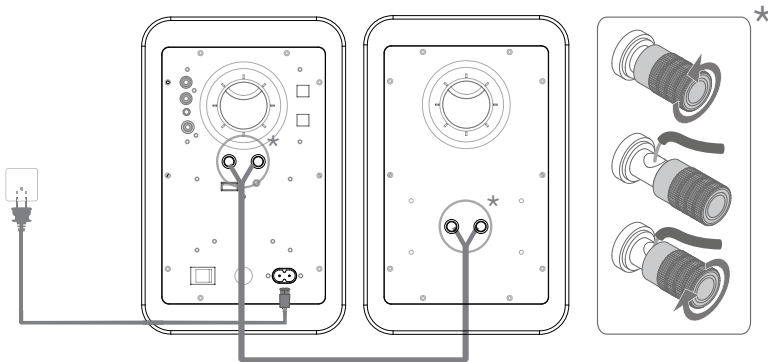
Moving the speakers very close to the rear wall will enhance the bass frequencies but will tend to reduce soundstage depth, while moving the speakers away from the rear wall will tend to have the opposite effect. Avoid positioning the speakers close to or in the corners of the room, as this will excite undesirable room coupling in the low and middle frequencies. If the width of the rear wall is limited then toe-in the speakers slightly to reduce reflections. Room characteristics and positioning have a profound effect on the performance of the speakers, so time and effort devoted to achieving the optimum positions will be rewarded.

Ensure that the ON/OFF Switch is in the OFF position.

Connect the two speakers together as shown below using the supplied speaker cable. Connect the RED (+) and BLACK (-) terminals from the active speaker (left channel) to the corresponding terminals on the passive speaker (right channel). If you wish to place your speakers farther apart than the supplied cable will reach, we recommend that you purchase a heavier gauge of speaker cable to minimize signal loss.

Follow the instructions on the ensuing pages to connect your audio sources to YU3. The examples in the following pages are not meant to be exhaustive - just examples.

Connect the power cord from YU3's active speaker to the wall outlet.



ATTENTION

When connecting audio cables the ON/OFF Switch must be turned OFF. After connecting all cables, the unit can be turned ON.

When the volume is high, this system can produce noise levels that could permanently damage your hearing. YU3 is a self-powered speaker system. Do not connect the speaker terminals to the speaker outputs of a stereo amplifier. Damage may occur. Use only the power cord provided with the speakers.

Connecting Audio Sources

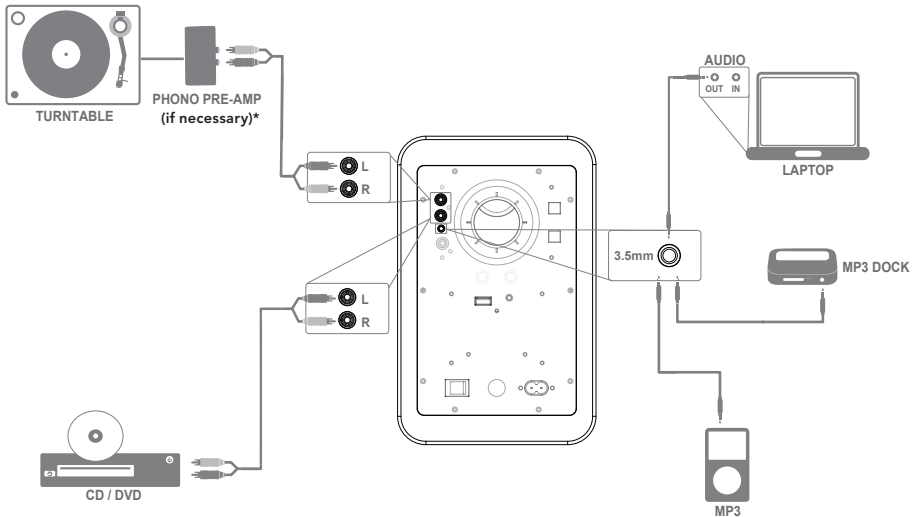
YU3 features a high quality DAC (digital-to-analog converter) that supports data streams up to 24-bit/192 kHz resolution.

YU3 supports **Bluetooth** 4.0 with aptX CODEC technology.

Use the appropriate audio cable to connect your audio source components to your speakers. Refer to the following diagrams on connectivity options.

- 3.5 mm stereo mini-jack AUX cable
- Stereo RCA to 3.5 mm stereo mini-jack 'Y' cable
- Optical Toslink cable

RCA & 3.5 mm Stereo Mini-Jack AUX Connection



ATTENTION

**Some models of turntables include a built-in Phono Pre-Amp.*

Auto Power-up / Auto Power-down

The YU3 is designed to save power when not in use. When no audio signal has been detected for 15 minutes, the YU3 Amp will put itself into stand-by mode. If the audio signal returns via the same input that the YU3 was playing when it entered standby, the YU3 will wake up and resume playing. It can also be woken up manually by:

- Pressing the Standby Button on the Remote
- Pressing the Control knob

If you do not find the Auto Power-up (APU) feature useful, you can disable it by pressing the Balance Reset button on the remote and holding it for 5 seconds. The Status LED will blink once to indicate that you have disabled the APU feature. To enable the APU if you have disabled it, simply press and hold the Balance Reset button again for 5 seconds. The Status LED will blink twice to indicate that you have enabled the APU.

Note that APU is always turned on when power is applied, but will only work after automatic power down. APU will not work if unit is manually switched to standby using the remote or control knob.

Bluetooth® Pairing

YU3 features **Bluetooth** 4.0 with aptX CODEC technology and can be paired with many devices for wireless audio playback from your phone, MP3 player or tablet. Pairing is easy.

1. Press the **Bluetooth** button (📶) on YU3's remote to select it as the input source. The Bluetooth LED (white) will flash slowly to indicate that YU3 is in pairing mode.
2. Enable your **Bluetooth** device to search for a new device to pair with. Select 'YU3 by Kanto' from the list of Bluetooth devices available for pairing.
3. If pairing is successful, the **Bluetooth** LED (white) will remain solid. You will not need to pair the same **Bluetooth** device again - 'YU3 by Kanto' will remain on your device list until you remove it from the list.
4. If the device does not pair with YU3, turn the speaker's ON/OFF Switch to the OFF position, then repeat Steps 1 to 3. Alternatively, you can turn off **Bluetooth** in your device and turn it back on again.

Bluetooth® Operation

1. We recommend keeping a maximum distance of 10 meters between the speaker and your device. The best signal fidelity is within this range.
2. If pairing is successful, the connection between the speaker and your device remains active and functional – that is, you can stream audio from your device to the speaker using either the player control buttons of your device or the control buttons of the remote control (see diagram of Remote Control on page 5 of this manual – buttons #20, #21, and #22).
3. Take note of the following behavior and functionality during **Bluetooth** operation. When you are successfully connected, the **Bluetooth LED** will be lit solid, and your device will show as connected to 'YU3 by Kanto'.
 - The connection between speaker and device remains active even if input source has changed. For instance, you can switch to another input source (e.g. CD player) and return to **Bluetooth** operation without losing signal connection and, therefore, do not need to pair with the device again.
 - When the speaker is put in Standby mode or powered OFF, **Bluetooth** connection with the device is lost. When the speaker returns to Playback mode, the **Bluetooth** connection between the speaker and device is re-established. However, you may notice a choppy playback signal for approximately 30 seconds after reconnection. It will normalize.
 - While the speaker can be paired with more than one device, only one device can play and transmit audio signal at a time.
4. The YU3 remote control features a **Bluetooth** Reset button to quickly disconnect a paired device and allow a second device to pair with the speaker (button #7 on the Remote Control diagram on page 5).
 - Press **Bluetooth** Reset button to disconnect a paired device.
 - Follow the pairing instructions to pair another device.
 - The same behavior and functionality apply to the second device.

USB Charging Operation

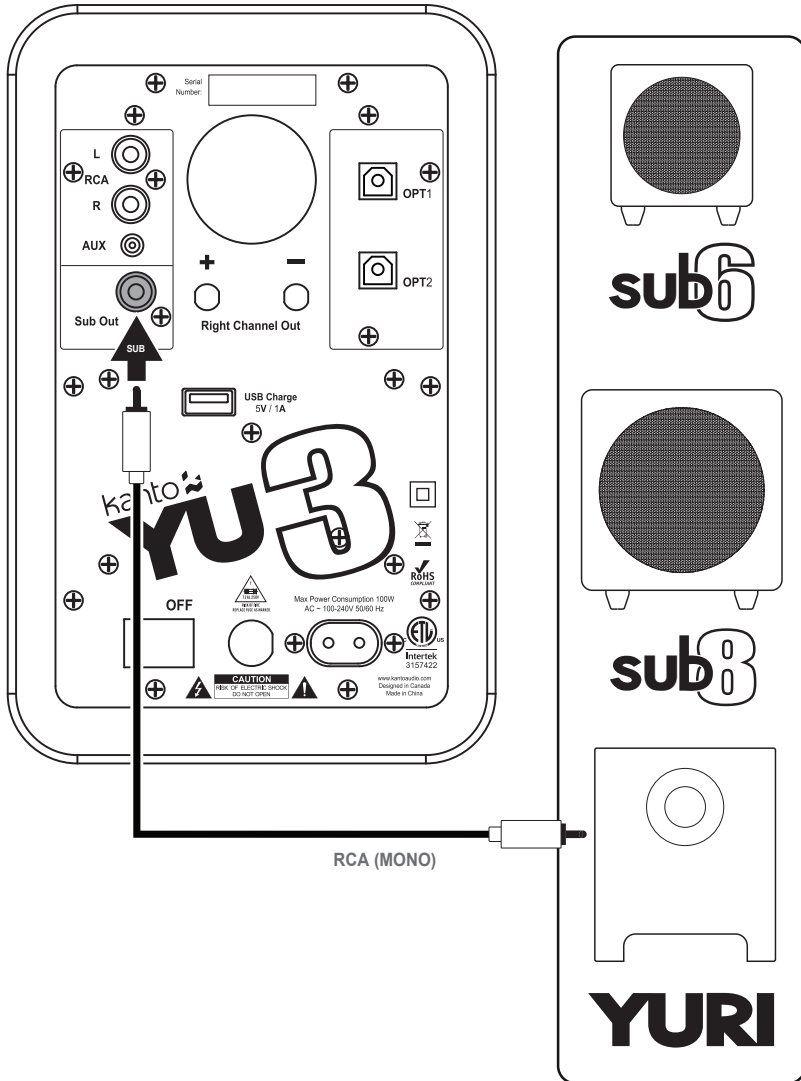
YU3 features one 5 V 1.0 A USB charging port on the back panel. This is a convenient power source to charge your devices.

When YU3 is in Playback Mode (LED blue) and Standby Mode (LED yellow), the port is active, and whatever device is connected is able to draw up to 1.0 A of power.

Connecting a Subwoofer

YU3 is equipped with an RCA connector to provide output signal to a powered subwoofer. Simply connect a single RCA cable from the SUB OUT connection on the YU3 to the AUDIO INPUT on your subwoofer. If your subwoofer has a stereo L/R RCA input, either left or right inputs will work.

We recommend the Kanto **sub6**, **sub8**, or **YURI** powered subwoofer with crossover and volume controls. Most quality subwoofers offer these controls, which allow you to customize the amount of bass you will experience.



Specifications

YU3 POWERED SPEAKER SYSTEM

Tweeters	1 inch Silk Dome
Woofers	4 inch Kevlar
Nominal Impedance	4 Ohm
Sensitivity (1W/1m)	85 dB
Amplifier Type	Class D
Power Output	30 Watts RMS per channel
Input Sensitivity	550 mV
Total Harmonic Distortion	< 0.3%
Crossover System	2-way
Crossover Frequency	2.0 kHz
Frequency Response	60Hz – 20kHz
Inputs	1 x 3.5 mm stereo mini-jack AUX 1 x RCA L/R 2 x Optical (Toslink) 1 x Bluetooth® 4.0 (Supports aptX CODEC)
Outputs	1 x Subwoofer 1 x USB Charge Port 5 V 1.0A
Speaker Terminals	Left and Right Binding Posts
Input Voltage / Frequency	AC 100 V - 240 V 50/60 Hz (auto switching)
Standby Power Consumption	< 0.5 W
Remote	Included
Dimensions (each speaker)	W 5.5" x H 8.6" x D 7.4" (140 x 220 x 190 mm)
Net Weight (Active)	6.8 lbs (3.1 kg)
Net Weight (Passive)	5.2 lbs (2.4 kg)
Gross Weight	14.7 lbs (6.7 kg) (boxed pair)

NOTICE: The Bluetooth® word mark and logos are registered trademarks owned by Bluetooth SIG, Inc. and any use of such marks by Kanto Distribution Inc. is under license.

Check out more great products from Kanto!

Kanto Speakers

- Check out our full line of bookshelf and desktop speaker systems
- Available in a stunning array of colors
- Visit kantospeakers.com for more!



link
by kanto

- Full line of Audio and Video Cables
- White or Black Cables available
- HDMI, Optical, Mini-jack, RCA, USB
- Switchers, Hubs, and Adapters
- Visit kantoliving.com



To learn more about all our products, visit www.kantoliving.com

f Kanto Living

t @kantoliving

ig kantoliving

Warranty

Limited Warranty to Original Purchaser

Kanto Distribution Inc. (Kanto) warrants the equipment it manufactures to be free from defects in material and workmanship for the following limited warranty period of:

24 months parts and labour

If equipment fails because of such defects and Kanto or an authorized dealer is notified within 24 months from the date of shipment with proof of original invoice, Kanto will, at its option, repair or replace the equipment, provided that the equipment has not been subjected to mechanical, electrical, or other abuse or modifications. Equipment that fails under conditions other than those covered will be repaired at the current price of parts and labor in effect at the repair. Such repairs are warranted for 90 days from the day of reshipment to the original purchaser. This warranty is in lieu of all other warranties expressed or implied, including without limitation, any implied warranty or merchantability or fitness for any particular purpose, all of which are expressly disclaimed.

Customers will be responsible for obtaining a Return Authorization as well as shipping costs to return product to a Kanto location or authorized depot listed on the website. If the equipment is covered under the warranty provisions above, Kanto will repair or replace, and be responsible for return shipping to the customer. Please keep the original packaging so products will not be damaged during shipping, and we recommend you insure your shipment. If equipment fails outside the warranty provisions, customers will be quoted repair and return shipping costs prior to work being performed.

The information in the owner's manual has been carefully checked and is believed to be accurate. However, Kanto assumes no responsibility for any inaccuracies that may be contained in the manual. In no event will Kanto, be liable for direct, indirect, special, incidental, or consequential damages resulting from any defect or omission in this manual, even if advised of the possibility of such damages.

kanto

www.kantoliving.com | support@kantoliving.com
Tel 888.848.2643

15-L