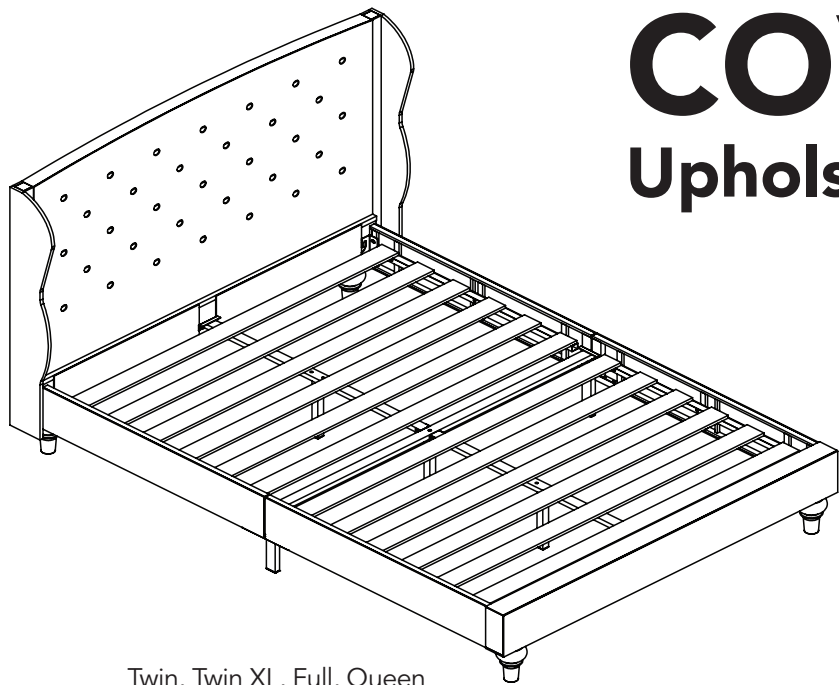
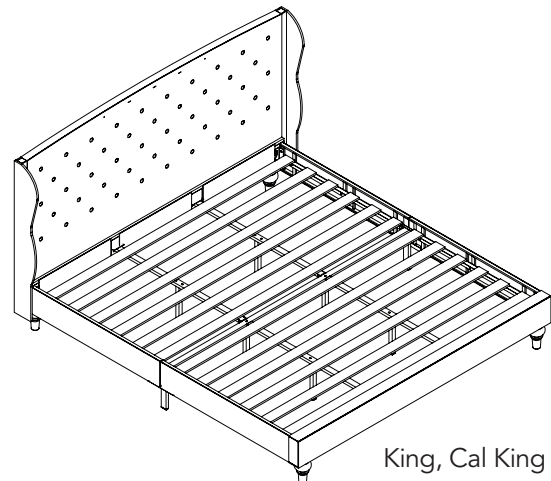


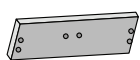
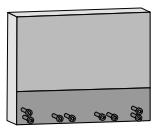
## COVENTRY Upholstered Platform Bed Frame



Twin, Twin XL, Full, Queen

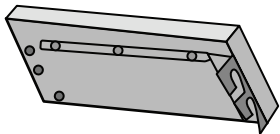


King, Cal King



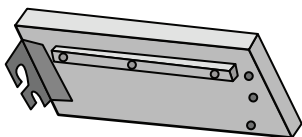
**A**

Footboard/  
Headboard  
**x 2 PCS**



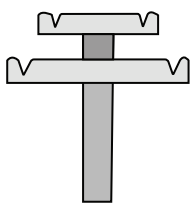
**B**

Left  
Side Rail  
**x 2 PCS**



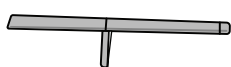
**C**

Right  
Side Rail  
**x 2 PCS**



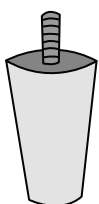
**D**

Center  
Support Leg  
**x 2 PCS**



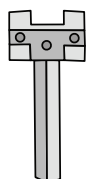
**E**

Center Support Rail  
**x 4 PCS**  
(King & Cal King)  
**x 2 PC**  
(Twin, Twin XL, Full, Queen)



**F**

Leg  
**x 4 PCS**



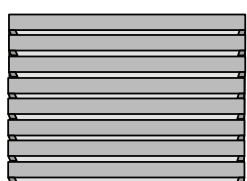
**G**

U-Bracket  
**x 2 PCS**  
(King & Cal King)  
**x 1 PC**  
(Twin, Twin XL, Full, Queen)



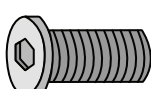
**H**

Horizontal  
Support Rail  
**x 1 PC**



**I**

Straight  
Slats  
**x 2 PCS**



**J**

Bolts  
**x 10 PCS** (King, Cal King)  
**x 5 PCS** (Twin, Twin XL,  
Full, Queen)



4 mm Allen Key **x 1 PC**



5 mm Allen Key **x 1 PC**

### Assembly Instructions

Twin, Twin XL, Full, Queen, King, Cal King

**IMPORTANT: Read these instructions carefully and retain for future reference.**

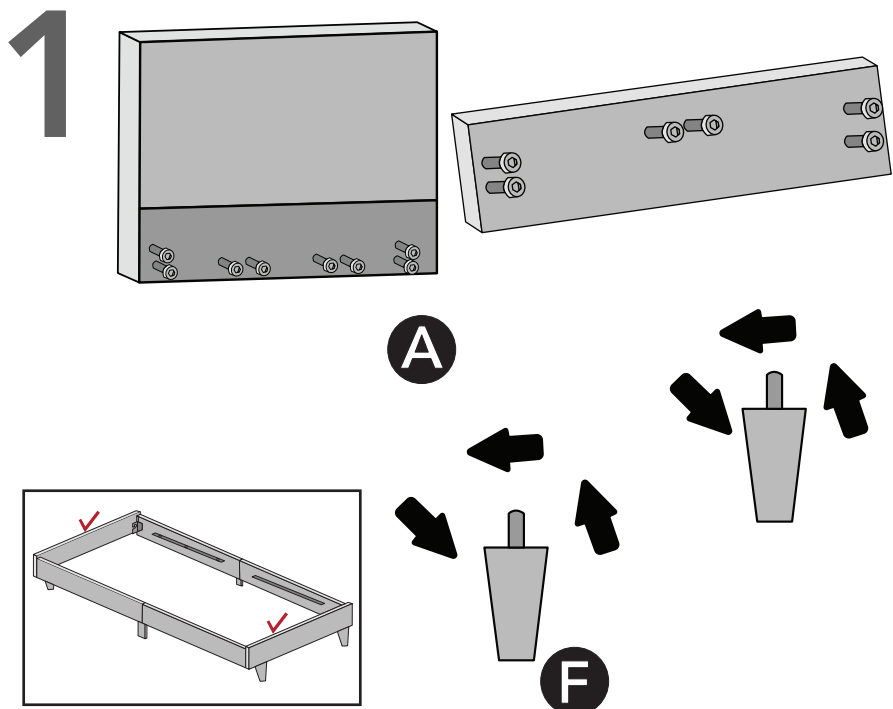
- Due to the size of this product, we recommend assembling it in the room intended for use.
- Check the packaging and make sure you have all the parts listed on this sheet.
- Before use, make sure the product is fully assembled and the screws and bolts are tightened.
- Do not tighten screws until fully assembled and do not over-tighten screws or bolts.
- Additional tools not included. Do not use power tools to construct this product.
- This product should only be used on firm, level ground.
- Do not destroy the packaging until after the product is fully assembled.
- To transport, please dismantle Bed Frame.

### WARNINGS

- This product is intended to support 225 lbs. evenly distributed on each side. Do not exceed this weight.
- Keep small parts out of reach of children.
- Make sure the bed frame's legs remain in contact with the ground.
- Do not use this product if parts are missing, damaged, or worn.
- Do not stand on the product.

### CARE INSTRUCTIONS

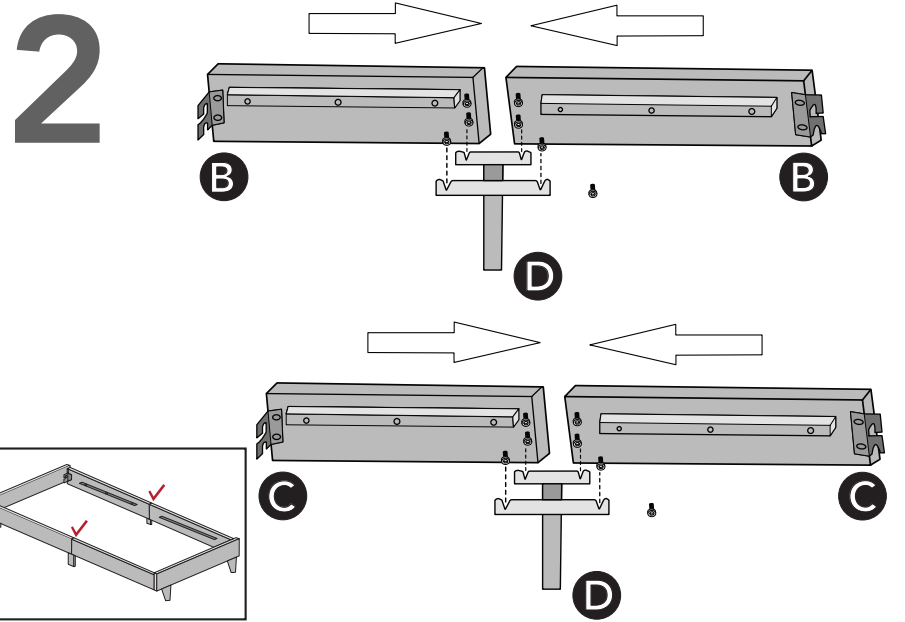
- Clean with a sponge and warm soapy water.
- Never use abrasives or chemicals to clean.
- Do not use solvent-based cleaners or detergents as they can bleach or damage the product.
- For soft fabric beds, vacuum or brush with a soft brush on a regular basis. Spot clean with a clean damp cloth. Do not use cleaners or detergents.



**PARTS REQUIRED:** Headboard, Footboard, 4 Legs

**Step 1:** Attach the legs to the bottom of the footboard. Then, attach the legs to the bottom of the headboard.

DRAWINGS FOR ILLUSTRATION ONLY

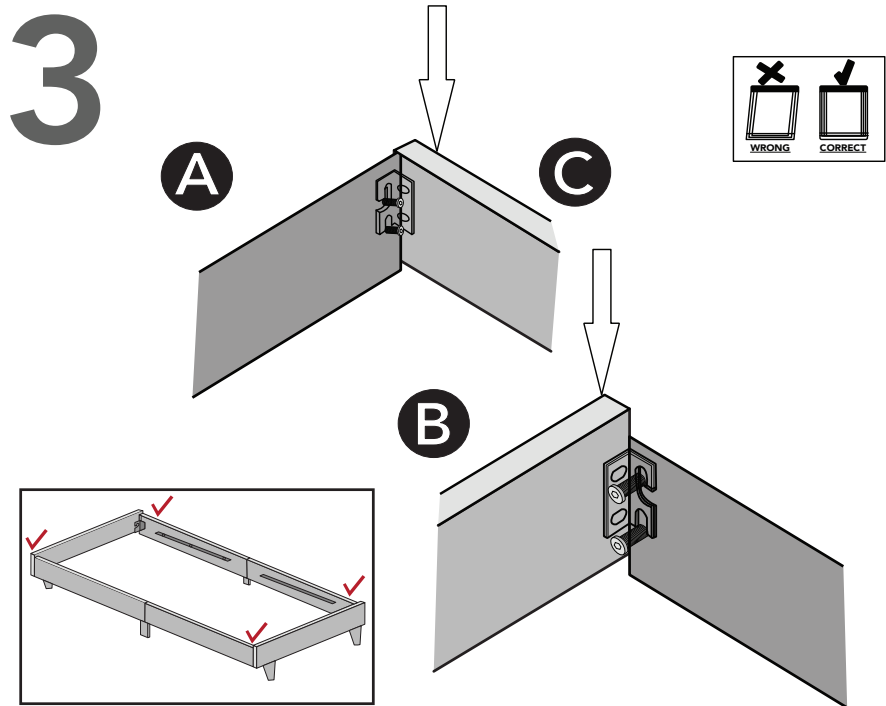


**PARTS REQUIRED:** Left & Right Side Rails, Horizontal Support Rail

**Step 2:** Assemble the left side rails by joining the two left side rail pieces in the center to the horizontal support rail using the bolts provided. Assemble the right side rails by joining the two right side rail pieces in the center to the horizontal support rail using the bolts provided.

• **NOTE:** Make sure the pre-assembled wood slat support pieces are toward the top of the side rails so the slats can rest evenly.

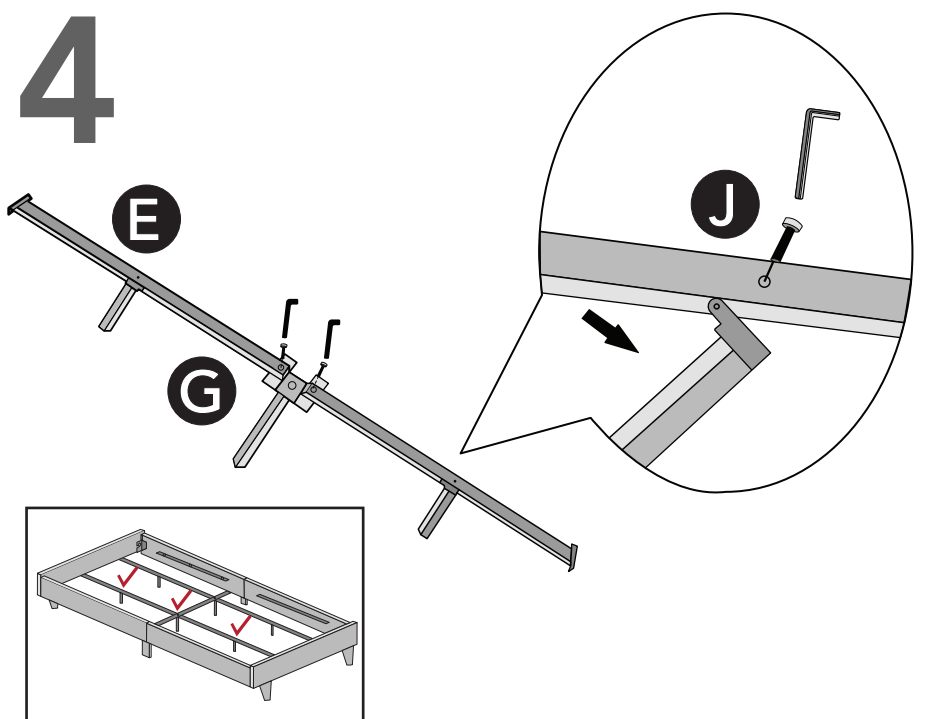
DRAWINGS FOR ILLUSTRATION ONLY



**PARTS REQUIRED:** Headboard, Footboard, Assembled Side Rails

**Step 3:** Attach the Headboard to the assembled side rails using the bolts provided on both sides. Repeat for the Footboard.

DRAWINGS FOR ILLUSTRATION ONLY

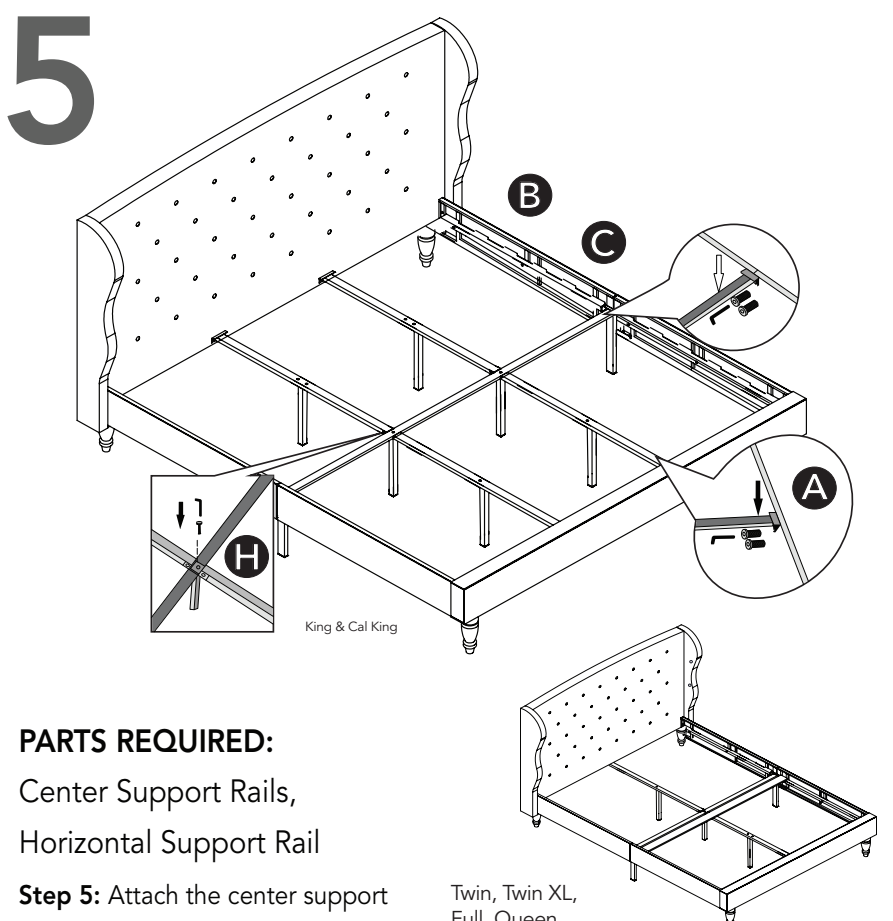


**PARTS REQUIRED:** Center Support Rails, U-bracket, Bolts

**Step 4:** Attach the two center support rails in the middle with the U-bracket & bolts provided.

• **NOTE:** There are two U-brackets for the King and California King sizes.

DRAWINGS FOR ILLUSTRATION ONLY

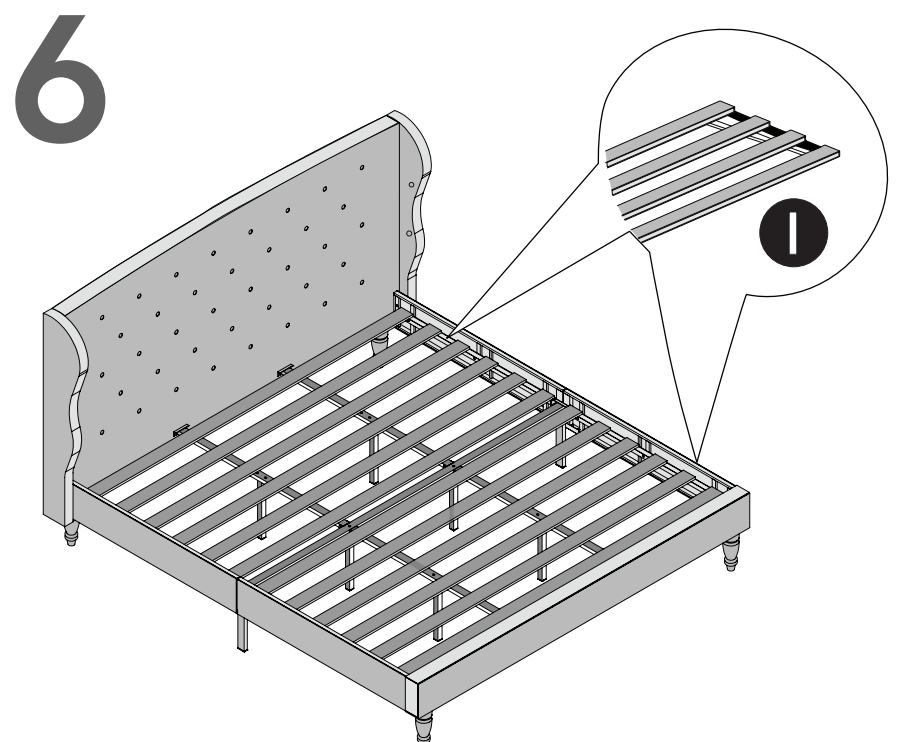


**PARTS REQUIRED:**  
Center Support Rails,  
Horizontal Support Rail

**Step 5:** Attach the center support rail with the bolts provided.

Twin, Twin XL,  
Full, Queen

DRAWINGS FOR ILLUSTRATION ONLY



**PARTS REQUIRED:** Straight Slats

**Step 6:** Place the straight slats on top, and enjoy your new bed frame!

DRAWINGS FOR ILLUSTRATION ONLY