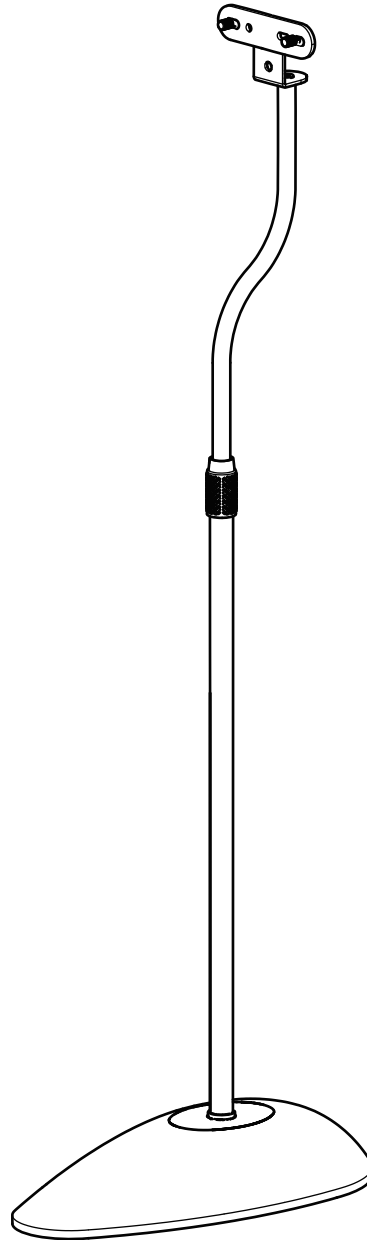




SPEAKER FLOOR STAND

Model **PGSS2**



WARNING

CAUTION: Avoid potential personal injuries and property damage!

- ☞ Do not use this product for any purpose not explicitly specified by manufacturer.
- ☞ Manufacturer is not responsible for damage or injury caused by incorrect assembly or use.
- ☞ If you do not understand the instructions or have any concerns or questions, please contact a qualified installer or perlegear customer service at customerservice@perlegear.com
- ☞ Please check www.perlegear.com and www.perlegearshop.com for more products and company information!

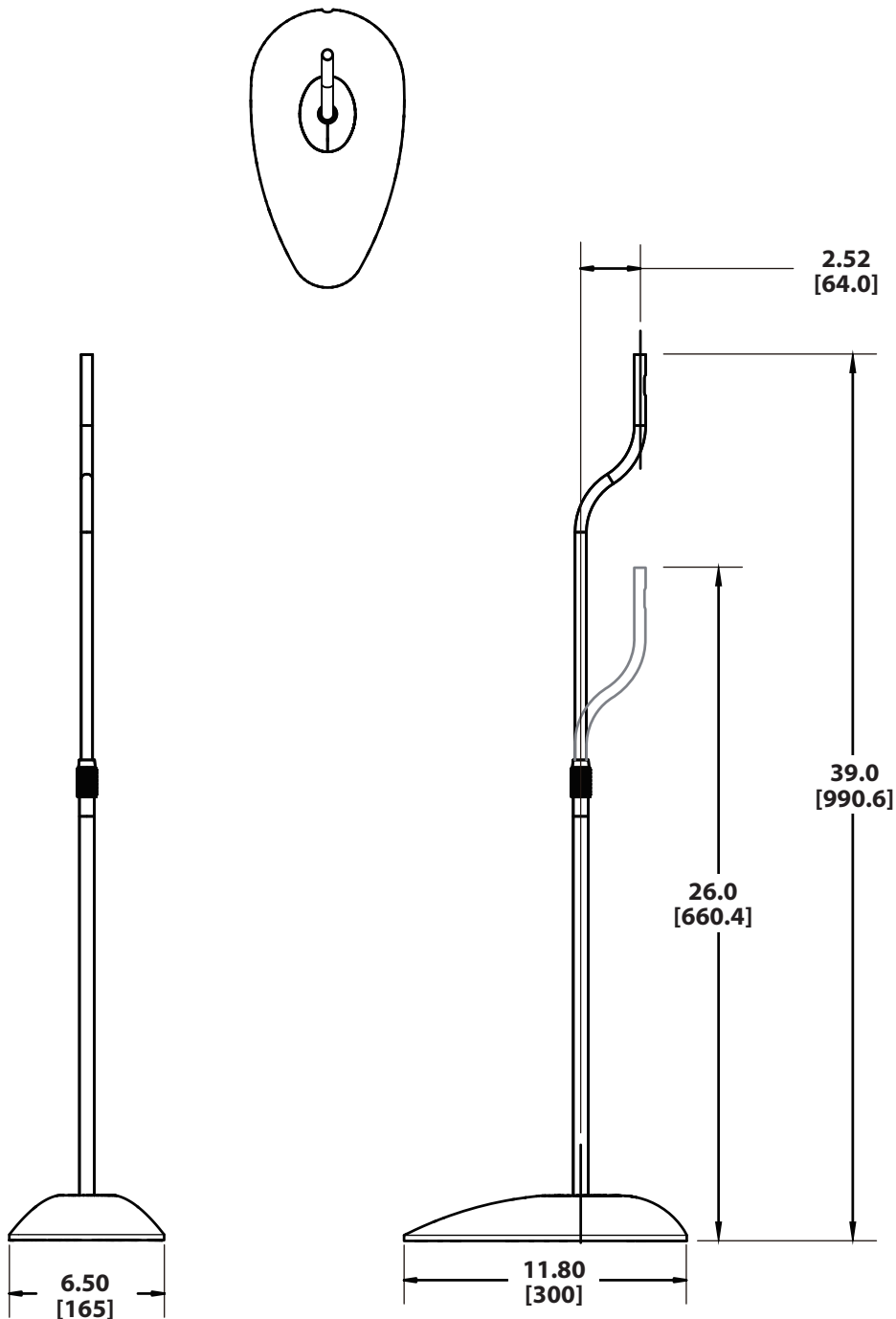
The PGSS2 stands are designed to support satellite speakers.

Specifications:

Speaker maximum weight - **DO NOT EXCEED:** 3.6 kg (8.0 lbs)

▲ CAUTION: Avoid potential personal injuries and property damage!

- ☞ Do not use this product for any purpose not explicitly specified by manufacturer.
- ☞ Manufacturer is not responsible for damage or injury caused by incorrect assembly or use.
- ☞ If you do not understand the instructions or have any concerns or questions, please contact a qualified installer or perlegear customer service at customerservice@perlegear.com
- ☞ Please check www.perlegear.com and www.perlegearshop.com for more products and company information!



Required Tools

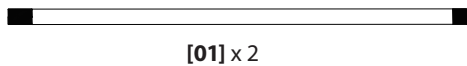


Screw driver

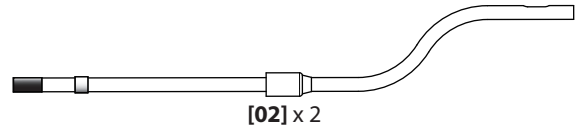
Supplied Parts and Hardware

⚠ WARNING: This product contains small items that could be a choking hazard if swallowed.

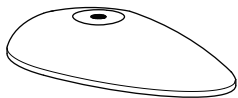
Before starting assembly, verify all parts are included and undamaged. If any parts are missing or damaged, do not return the damaged item to your dealer; contact Customer Service. Never use damaged parts!



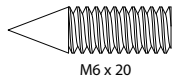
[01] x 2



[02] x 2



[03] x 2



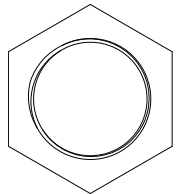
M6 x 20
[04] x 8



M6
[05] x 8



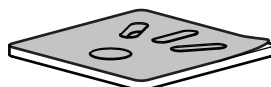
[06] x 8



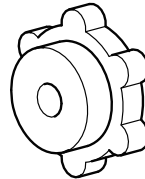
[07] x 2



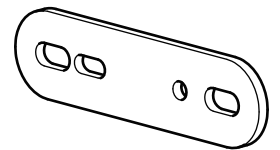
[08] x 2



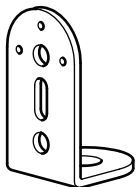
[09] x 2



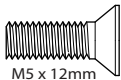
[10] x 2



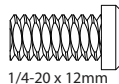
[11] x 2



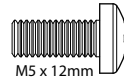
[12] x 2



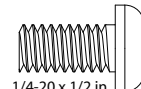
M5 x 12mm
[13] x 2



1/4-20 x 12mm
[14] x 2



M5 x 12mm
[15] x 4



1/4-20 x 1/2 in.
[16] x 4

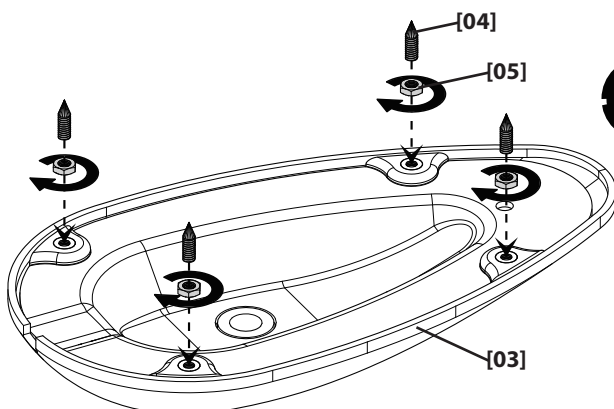


[17] x 1

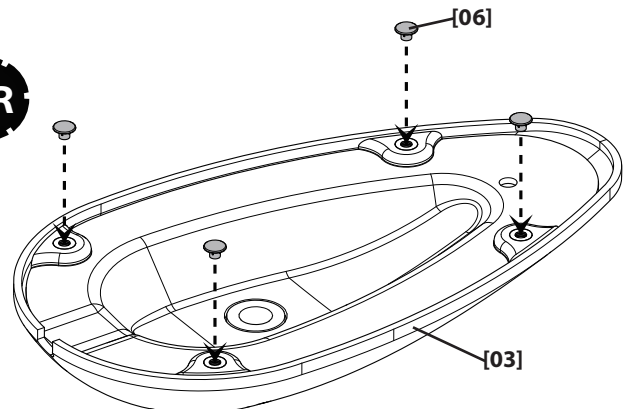
1 Assembly

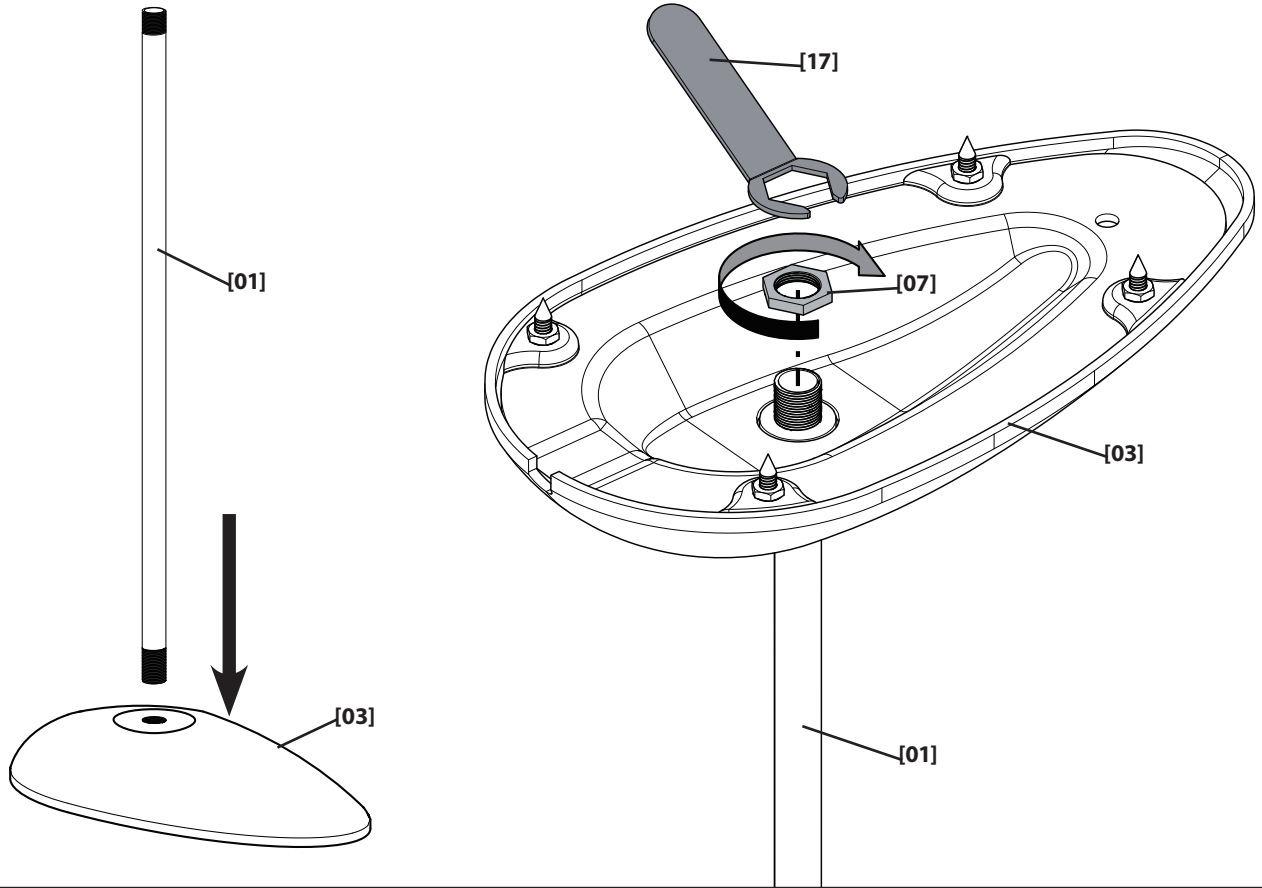
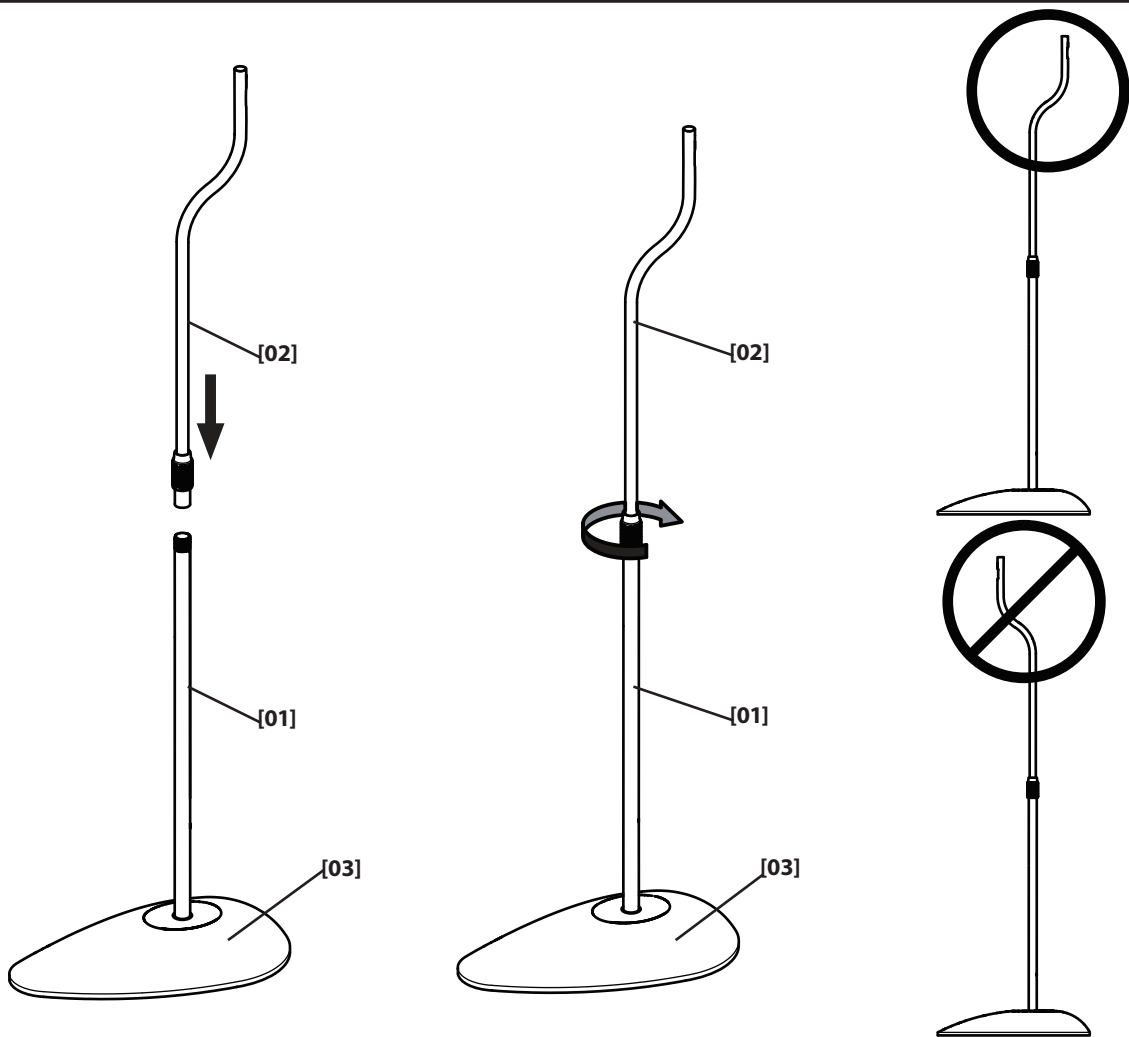
A

The ends of the Carpet Spikes [04] are sharp and may scratch flooring or be hazardous to small children. Sanus includes optional Rubber Feet [06]. If Rubber Feet are used, twist them into the Base [03].

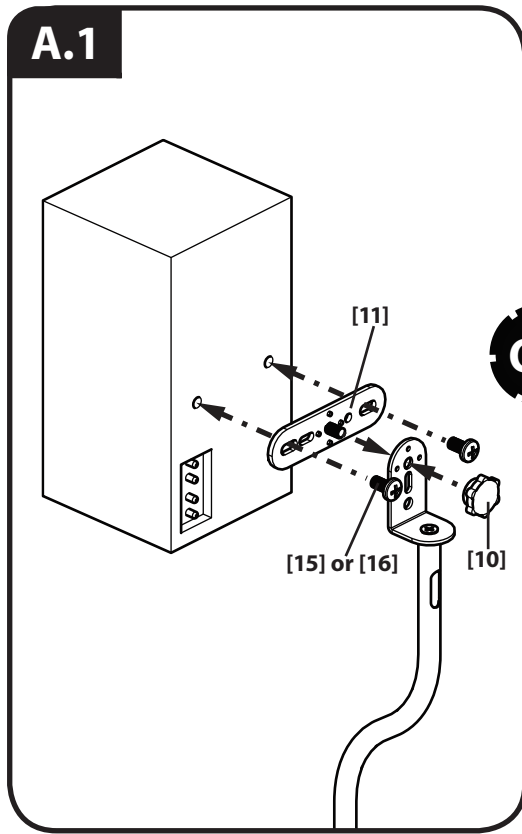
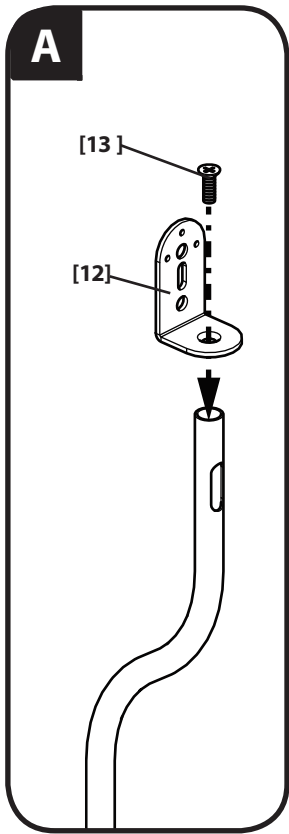


OR

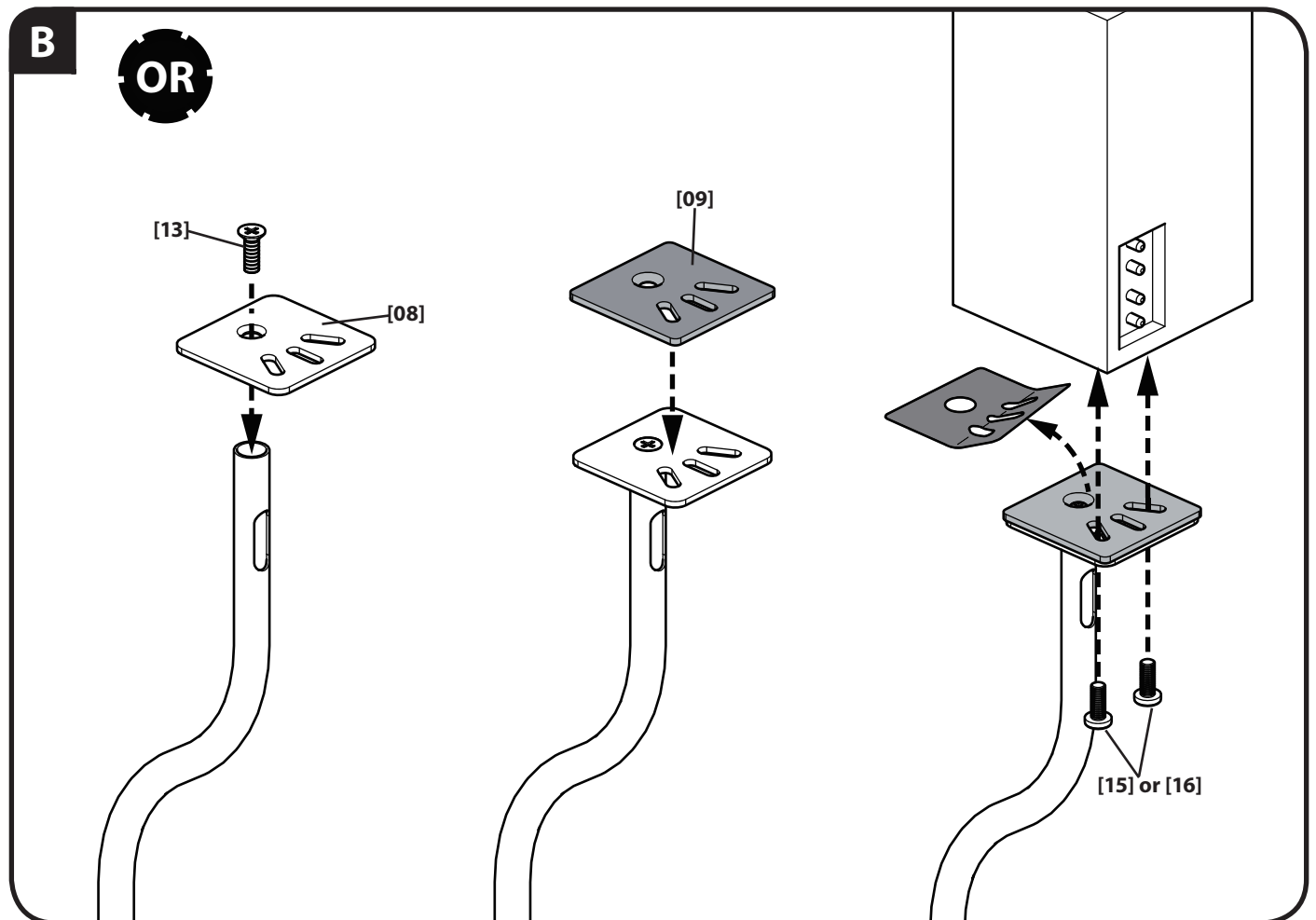
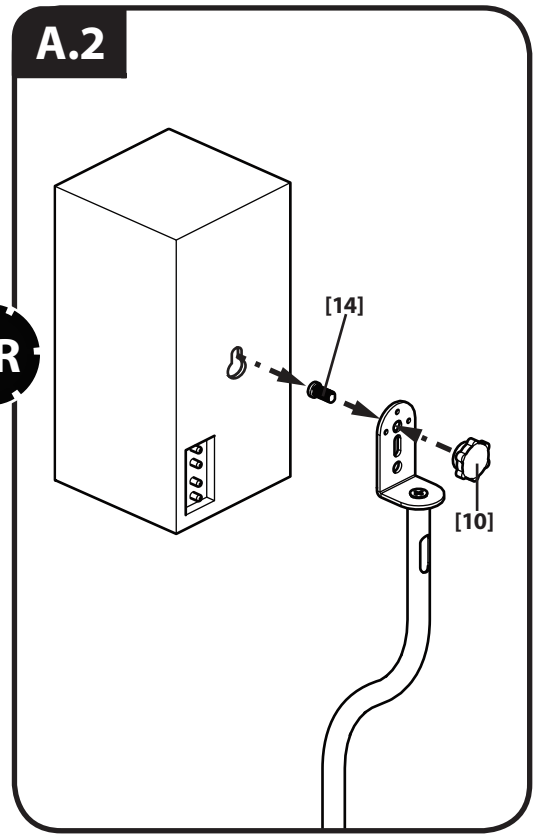


B**C**

2 Mounting Options

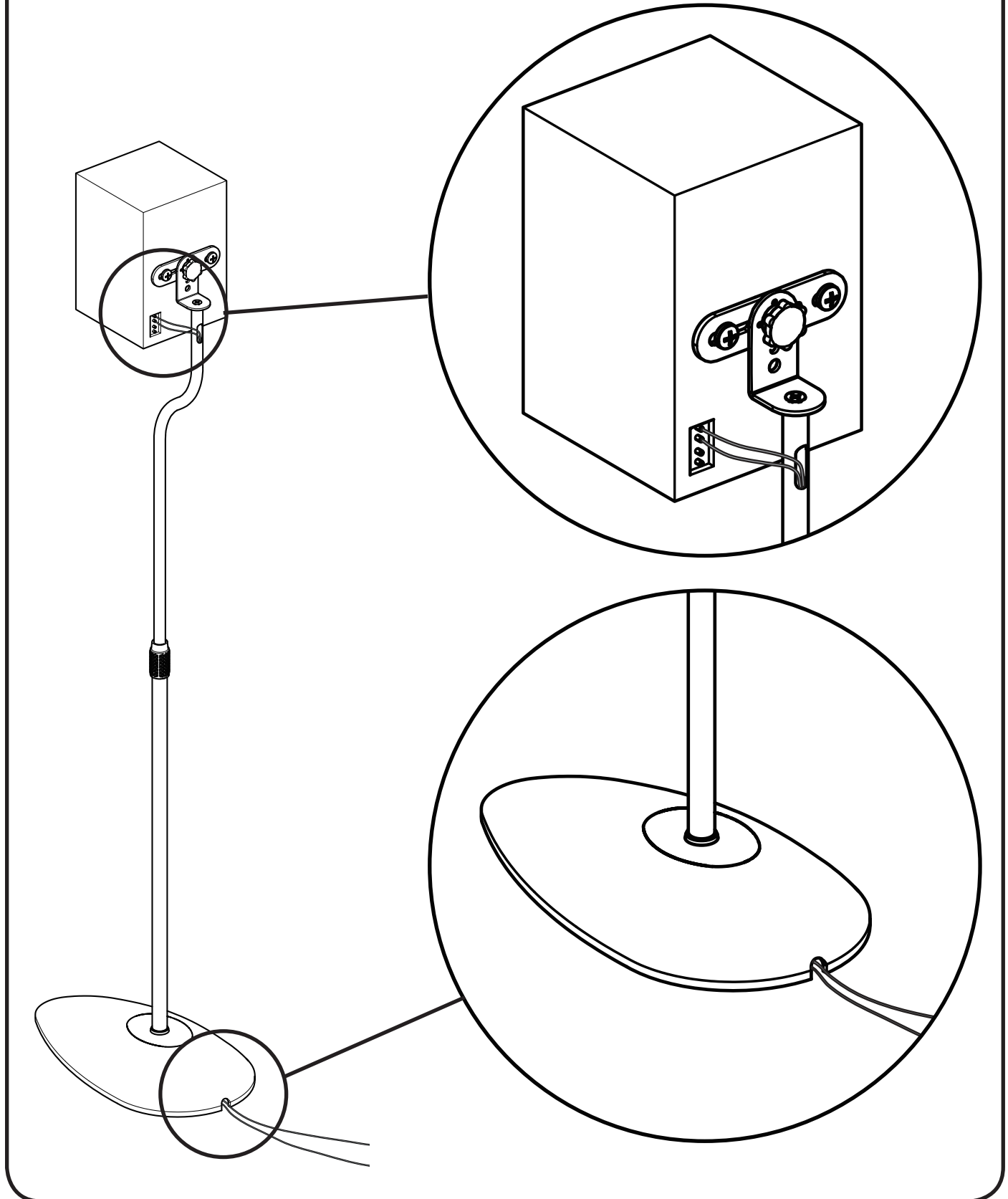


OR



3 Wire Routing

⚠ CAUTION: Disconnect the speaker wire from the receiver or amplifier when routing the wire through the upper and lower pillar and out through the base to avoid damage to the speakers, amplifier, or receiver.





Perle electronics hardware (Hongkong) Co., Limited (collectively, "Perle electronics hardware"), intend to make this manual accurate and complete. However, Perle electronics hardware makes no claim that the informations contained herein covers all details, conditions, or variations. Nor does it provide for every possible contingency in connection with the installation or use of this product. The information contained in this document is subject to change without notice or obligation of any kind. Perle electronics hardware makes no representation of warranty, expressed or implied, regarding the information contained herein . perle electronics hardware assumes no responsibility for accuracy, completeness or sufficiency of the information contained in this document. Perlegear is a Perle electronics hardware brand. Perlegear and the Perlegear logo are trademarks of Perle electronics hardware.

Perle electronics hardware Global Headquarters • Room 1505 Building 17/F NO.3, Kwai Cheong Rd Nt, HongKong •

Any questions please contact : customerservice@perlegear.com

Please check www.perlegear.com and www.perlegearshop.com for more products and company information!

Made in China.