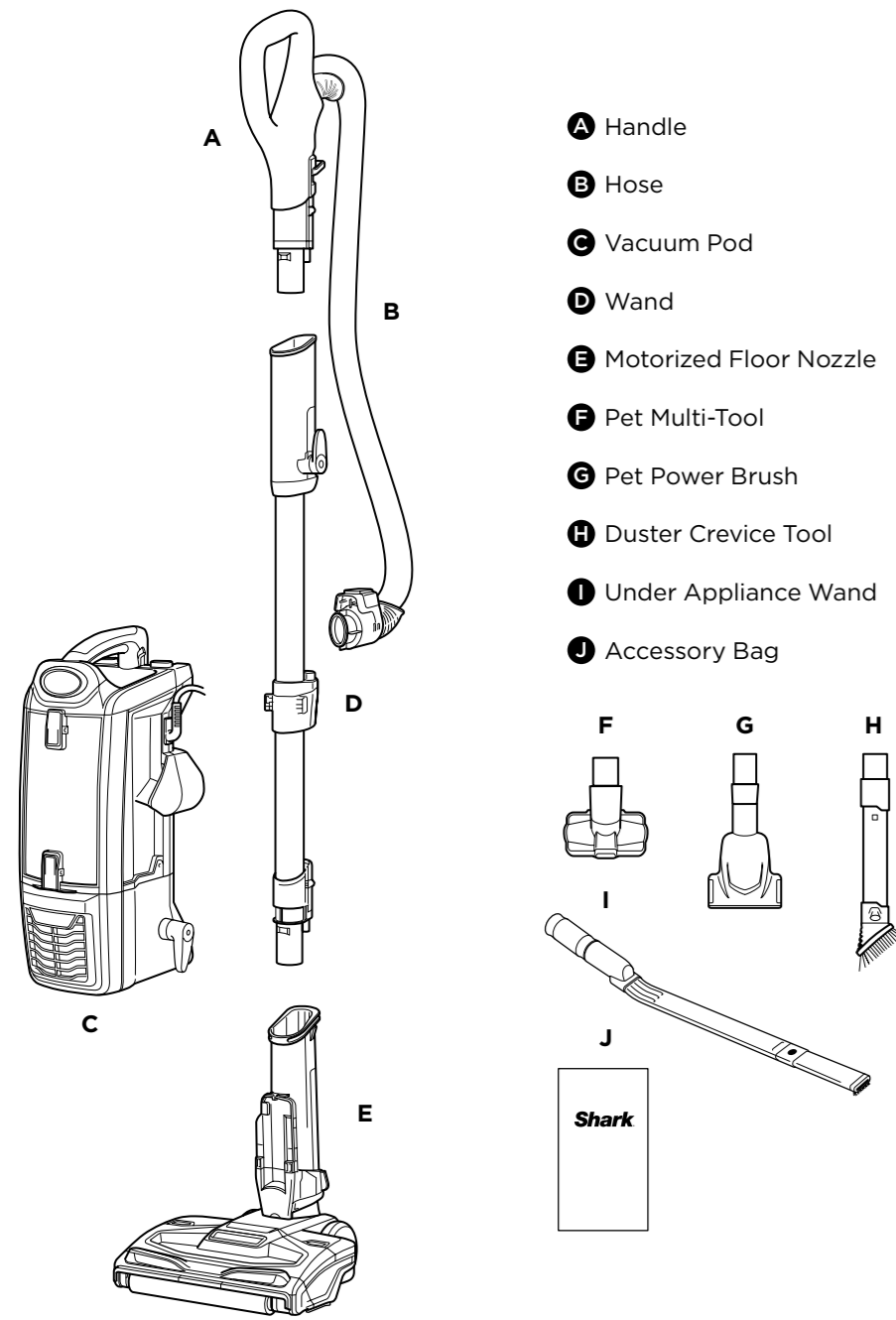
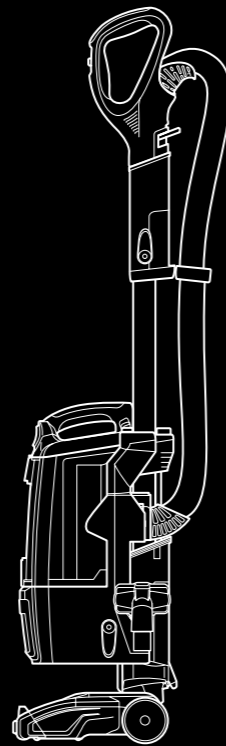


## WHAT'S INSIDE:



For additional parts and accessories, visit [sharkaccessories.com](http://sharkaccessories.com)



# Shark

For questions or to register your product, contact us at 1-800-798-7398 or visit us online at [sharkclean.com](http://sharkclean.com)

@sharkcleaning

©2017 SharkNinja Operating LLC. LIFT-AWAY, POWERED LIFT-AWAY and SHARK are registered trademarks of SharkNinja Operating LLC. DUOCLEAN and JOIN THE CLEAN EVOLUTION are trademarks of SharkNinja Operating LLC.

NV803\_170303

Please be sure to read the enclosed Shark® Owner's Guide prior to using your unit.

# Shark

## POWERED LIFT-AWAY

### SPEED

## duo clean™

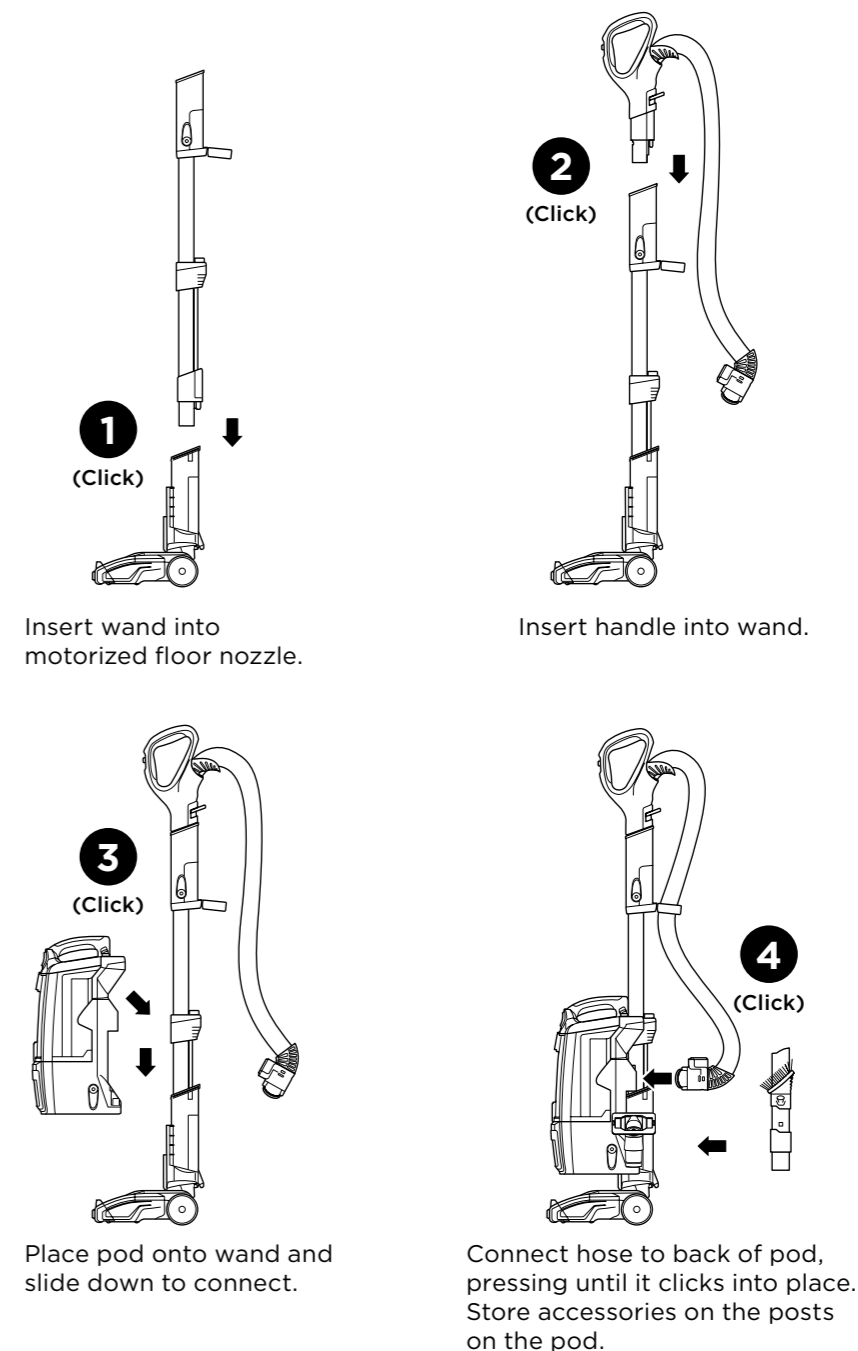
NV803

## QUICK START GUIDE

Use this Quick Start Guide to learn about your new vacuum's great features.



## ASSEMBLY



# Join The Clean Evolution.™

When it comes to cleaning, we're not afraid to get our hands dirty. At Shark®, we're constantly working to evolve and innovate products to meet the needs of people like you. Because our job is to make 5-star-worthy products that make your life a whole lot easier.

# HAVING TROUBLE?

## ISSUE

Vacuum is not picking up debris. No suction or light suction.

## Solution

Empty dust cup, clean filters, check all openings for blockages.

## ISSUE

Vacuum lifts area rugs.

## Solution

Turn off the unit to disengage the brushroll and restart with the Power Button.

## ISSUE

Brushroll and/or Soft Roller does not spin. The Brushroll Indicator Light on the floor nozzle turns red.

## Solution

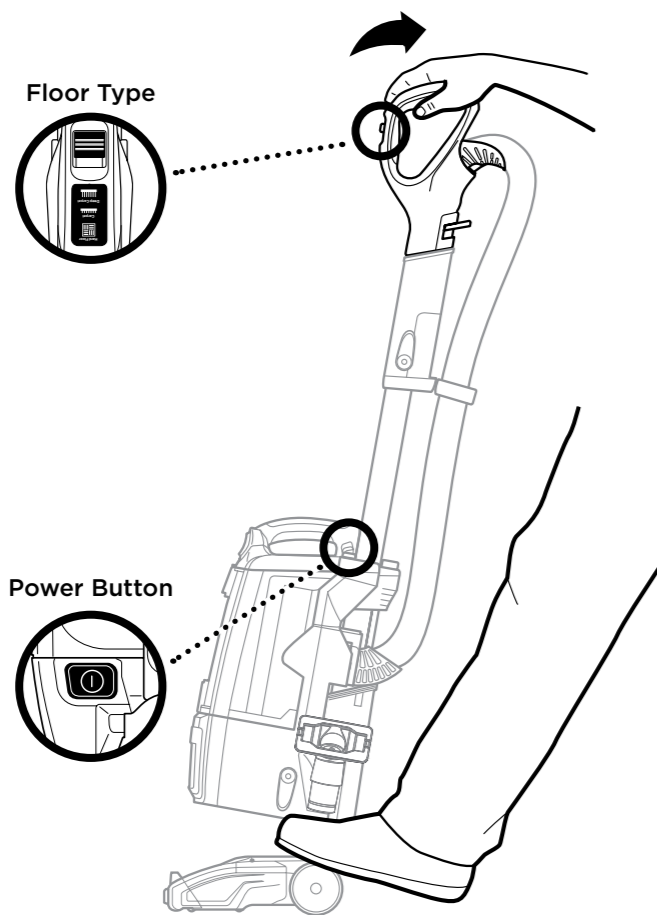
Turn off and unplug the vacuum immediately. Remove any blockages, then reconnect and turn vacuum back on. If Brushroll Indicator Light on the floor nozzle is green, the blockage has been successfully cleared. If the light is still red, please contact customer service at 1-800-798-7398.

## 3 WAYS TO CLEAN

1

### UPRIGHT MODE

Use for carpet and hard-floor cleaning

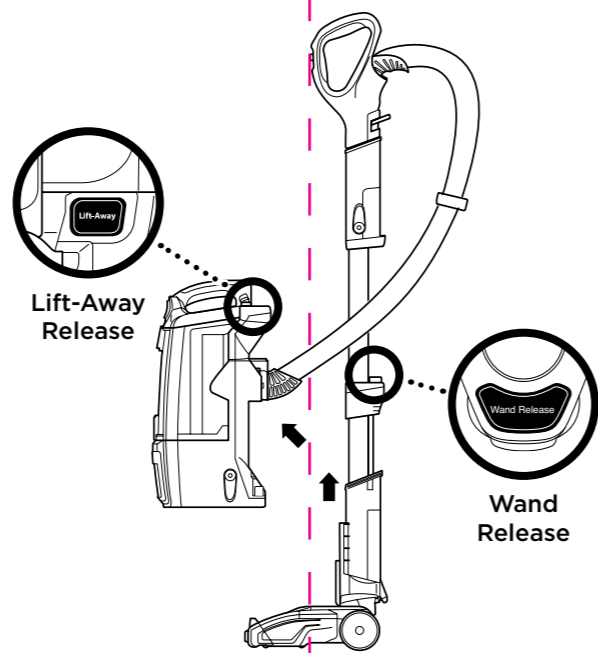


Place foot on floor nozzle and tilt handle back. Choose appropriate floor setting. Press power button.

2

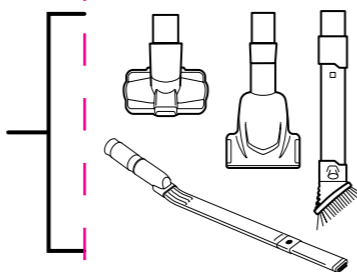
### LIFT-AWAY® MODE

Use for portable cleaning on stairs or above-floor areas



Press Lift-Away® Release button to lift pod off floor nozzle. You are now ready to clean those hard-to-reach places.

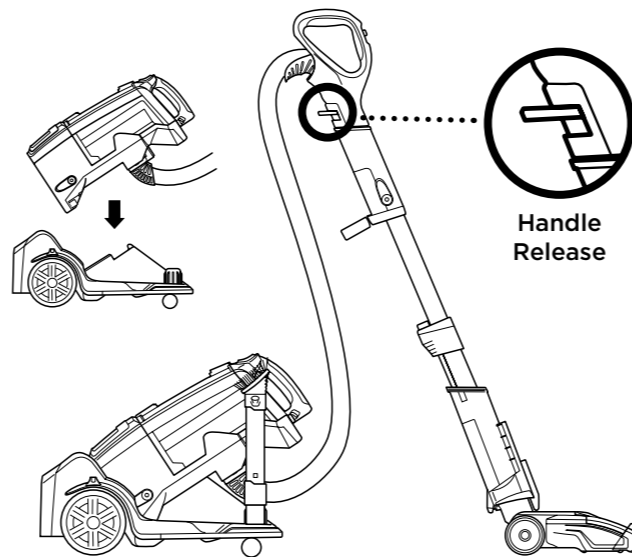
Attach any of the specialized cleaning accessories to the handle or wand.



3

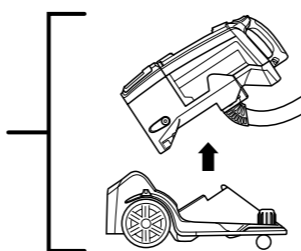
### CANISTER MODE

Convert your upright to a convenient canister (caddy sold separately)



From Lift-Away mode, place pod onto caddy.

When you are done cleaning with your caddy, press the Lift-Away Release button to remove the pod.



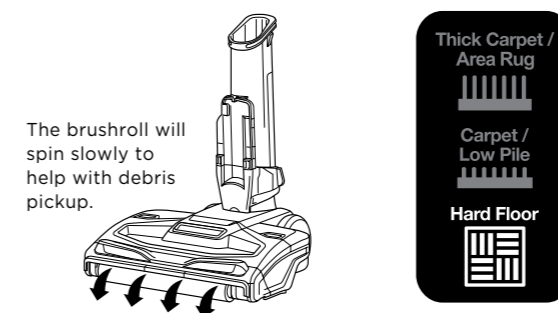
## DUOCLEAN™ TECHNOLOGY

### ON FLOORS

Direct engagement with the Soft Roller removes large particles, small particles, and stuck-on dust.

#### Hard Floor

Gentle on bare floor and delicate area rugs.



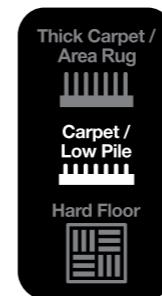
The brushroll will spin slowly to help with debris pickup.

### ON CARPETS\*

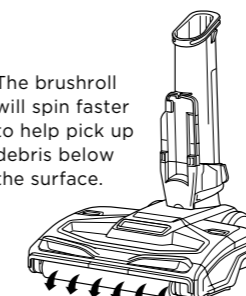
The Soft Roller pulls in large particles, while the deep-cleaning bristle brush removes embedded fine dirt.

#### Carpet/Low Pile

Optimized brushroll and suction for carpets.

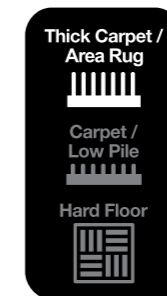


The brushroll will spin faster to help pick up debris below the surface.



#### Thick Carpet/Area Rug

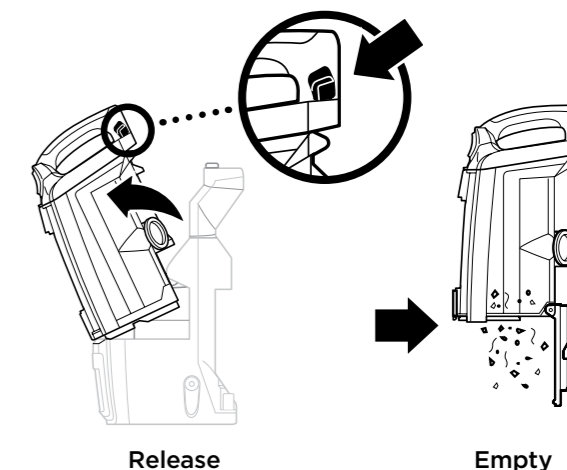
Optimized brushroll and suction for thick carpets and delicate area rugs.



\*For deep cleaning per ASTM F 608 (embedded dirt in carpet) use in Carpet/Low Pile mode.

## MAINTENANCE

### Empty dust cup after each use



#### TIP:

Wash filters every 3 months to keep the suction strong.

Rinse filters and allow to air-dry completely. Tap loose dirt from foam filters as needed between washes.

### Easy brushroll access: just pop open the garage

Push the release buttons and the brushroll garage door will pop open. Lift out the brushroll to easily remove any string, hair, or debris that may be wrapped around it. Slide the Soft Roller access button up to remove the Soft Roller for cleaning.

