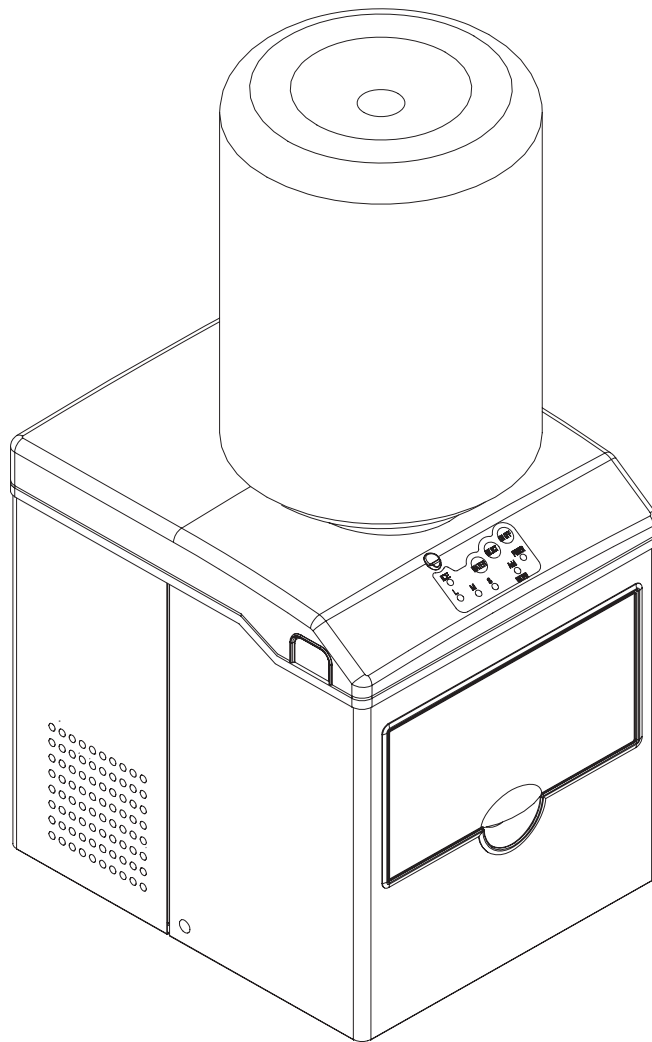


# DELLA

## USER MANUAL WATER DISPENSER WITH ICE MAKER



**Model: 048-GM-48201**

**To ensure proper use of this appliance and your safety, please read the following instructions carefully before operating this appliance.**

## **TABLE OF CONTENTS**

<b>IMPORTANT SAFETY INSTRUCTIONS</b> .....	2
<b>PREPARING YOUR ICE MAKER FOR USE</b>	
IMPORTANT SAFETY TIPS.....	3
<b>GETTING TO KNOW YOUR UNIT</b> .....	4
<b>OPERATING PROCEDURES &amp; MAINTENANCE</b> .....	5
UNPACKING YOUR ICE MAKER.....	5
CONNECTING YOUR ICE MAKER.....	6
CLEANING AND MAINTAINING YOUR ICE MAKER.....	6
<b>USING YOUR ICE MAKER</b> .....	7
TROUBLESHOOTING.....	8
<b>TECHNICAL PARAMETERS &amp; CIRCUIT DIAGRAM</b> .....	8

## *IMPORTANT SAFETY INSTRUCTIONS*

**Your safety and the safety of others are very important.**

We have provided many important safety messages manual and your appliance.  
Always read and obey all safety messages.

This is the safety alert symbol:



All safety messages will follow the safety alert symbol and the word “DANGER” or “WARNING”.



**DANGER**



**WARNING**

These words mean:

**You can be killed or seriously injured if you don't immediate follow instructions.**

All safety messages will tell you what the potential hazard is, tell you how to reduce the chance of injury, and tell you what can happen if the instructions are not followed.

## PREPARING YOUR ICE MAKER FOR USE

### IMPORTANT SAFETY TIPS

When using electrical appliances, basic safety precautions should be followed to reduce the risk of fire, electric shock, and injury to persons or property. Read all instructions before using any appliance.

- Do not operate this, or any other appliance with a damaged cord. Connect to properly polarized outlets only. No other appliance should be plugged into the same outlet. Be sure that the plug is fully inserted into the receptacle.
- Do not run the power cord over carpeting or other heat insulators. Do not cover the cord. Keep cord away from traffic areas, and do not submerge in water.
- We do not recommend the use of an extension cord, as it may overheat and become a risk of fire. If you must use an extension cord, use No.14 AWG minimum size and rated no less than 1875 watts.
- Unplug the ice maker before cleaning or making any repairs or servicing.
- Exercise caution and use reasonable supervision when appliance is used near children.
- Do not use your ice-maker outdoors. Place the ice-maker away from direct sunlight and make sure that there is at least 4 inches of space between the back of your unit and wall. Keep a minimum distance of 4 inches on each side of your unit free.
- Do not use other liquid to make the ice-cube other than water.
- Do not clean your ice maker with flammable fluids. The fumes can create a fire hazard or explosion.
- Do not tip over.
- If the ice maker is brought in from outside in wintertime, give it a few hours to warm up to room temperature before plugging it in.

**WARNING:** This appliance must be earthed.

**WARNING:** fill with potable water only.

**IMPORTANT:**

The wires in this mains lead are colored in accordance with the following code:

Green or Green with a strip yellow: Grounding

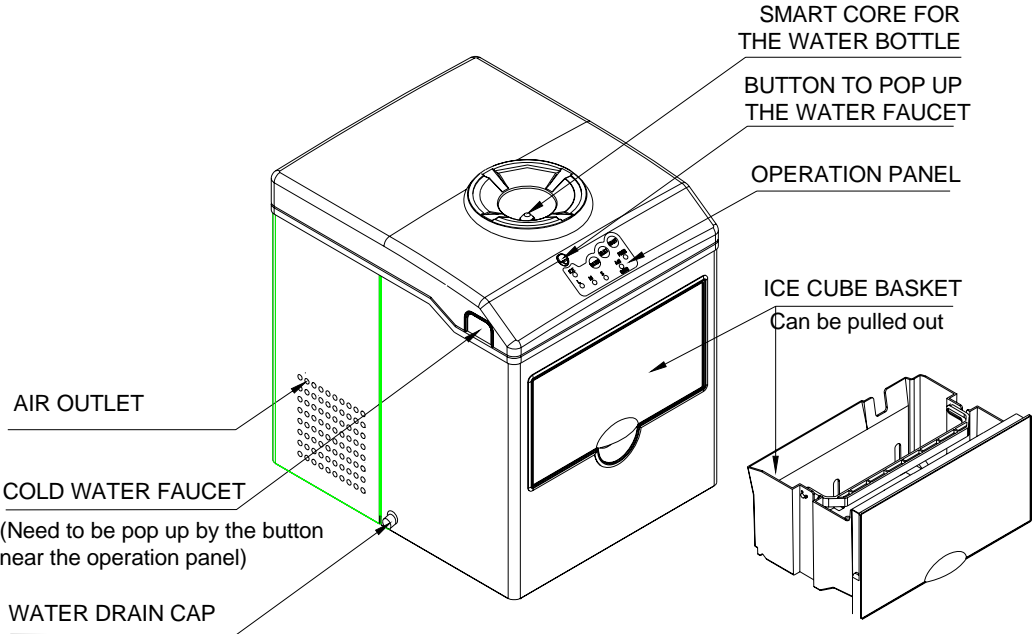
White: Neutral

Black: Live

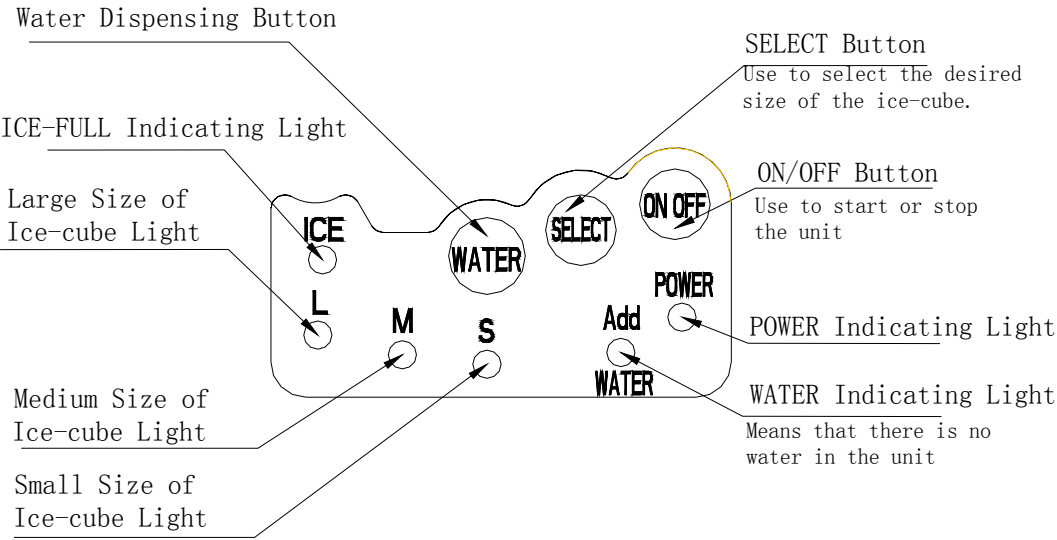
To avoid a hazard due to instability of the appliance, it must be placed at a even or flat surface.

# GETTING TO KNOW YOUR UNIT

## UNIT



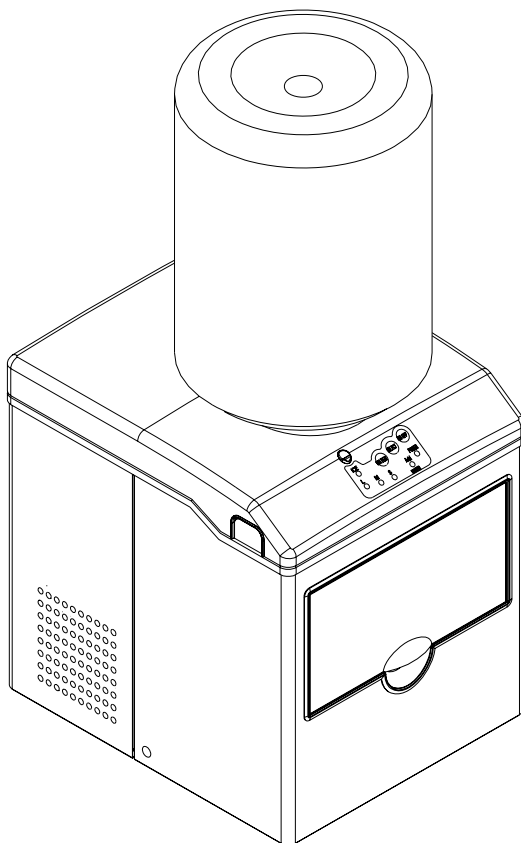
## OPERATION PANEL



## OPERATING PROCEDURES & MAINTENANCE

### UNPACKING YOUR ICE MAKER

1. Remove the exterior and interior packaging. Check that ice scoop is included. If any parts are missing, please contact our customer service.
2. Clean the interior with lukewarm water and a soft cloth. Take out the ice basket and clean it .
3. Find a location for your ice maker that is protected from direct sunlight and other sources of heat (i.e.: stove, furnace, radiator). Place the ice maker on a level surface. Make sure that there is at least 4 inches of space between the back and sides of your ice maker and the wall.
4. Allow one hour for the refrigerant fluid to settle before plugging ice maker in.
5. The appliance must be positioned so that the plug is accessible.
6. Before placing water bottle on the unit, be sure that the drain plug on the back is tightly fastened.
7. Hold the water bottle vertically and upside down (over the unit) and place the water bottle into the SMART CORE for the water bottle. Apply slightly pressure in order to pierce the bottle cap with the spigot. This unit accepts two, three or five gallon water bottle with pierceable sealed caps.



PLACE BOTTLE  
VERTICALLY  
STRAIGHT DOWN

## CONNECTING YOUR ICE MAKER



## DANGER

**\* Improper use of the grounded plug can result in the risk of electrical shock. If the power cord is damaged please call our customer service.**

1. This unit should be properly grounded for your safety. The power cord of this appliance is equipped with a three-prong plug which mates with standard three prong wall outlets to minimize the possibility of electric shock.
2. Plug your appliance into an exclusive, properly installed, grounded wall outlet. Do not under any circumstances, cut or remove the third (ground) prong from the power cord. Any questions concerning power and/or grounding should be directed toward a certified electrician.
3. This appliance requires a standard 110~120 volt, 60Hz electrical outlet with three-prong ground.

## CLEANING AND MAINTAINING YOUR ICE MAKER

Before using your ice maker, it is strongly recommended to clean it thoroughly.

1. Take out the ice basket.
2. Clean the interior with diluted detergent, warm water and a soft cloth.
3. Then use the water to rinse the inside parts, and drain out the water by unplugging the drain cap on the side.
4. The outside of the ice maker should be cleaned regularly with a mild detergent solution and warm water.
5. Dry the interior and exterior with a soft cloth.
6. When the machine is not in use, open water drained cap to drain water completely from water reservoir.

## USING YOUR ICE MAKER

### MAKING THE ICE -CUBE

1. Select the size of the ice cube by pressing the “Select” button. If the room temperature is lower than 60°F, it is recommended to select the small or medium ice sign button in order to avoid ice sticking together.
2. Press “Power” on the control panel to begin the ice making cycle.
3. The ice making cycle lasts 6 to 12 minutes, depending on the size of the ice cube selection.
4. If water pump can't inject water, the ice maker will stop automatically, and the “ADD WATER” indicator will be on on the operation panel. Please check the water bottle and replace a new bottle full of water.

Press “Power” button again to start the unit again.

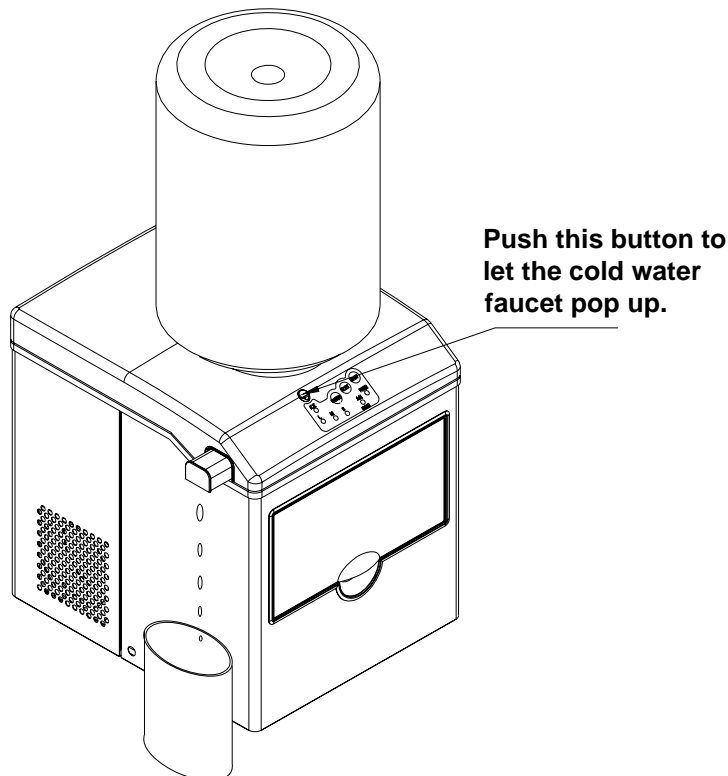
Allow the refrigerant liquid inside the compressor at least 3 minutes to settle before restarting.

5. The ice maker automatically stops working when the ICE light on the operation panel is on means that ice basket is full.

### ENJOY THE COLD WATER ( For HZB-15/BF model only)

The cold water can be enjoyed only after the ice-making have worked for more than half hour.

1. Press the button to pop up the cold water faucet.
2. Press the “WATER” Water Dispensing Button on the operation button to dispense the cold water to your cup. Release pressing till your cup is full of the cold water.



## TROUBLESHOOTING

PROBLEM	POSSIBLE CAUSE	SOLUTION
"Water" indicator is on.	Lack of Water.	Stop the ice maker, replace with a new bottle full of water, and then restart it.
"Ice" indicator is on.	The ice basket is full of the ice-cube.	Pull the ice basket and empty it.
Ice cubes stick together.	The ice cycle is too long.	Stop the ice maker, and restart it when the ice blocks melt. Select the small ice button.
	Water temperature in inner tank is too low.	Change the water in the inner Tank. Temperature of water is better set between 45°F- 90°F.
Ice making cycle is normal but no ice is made.	Ambient temperature or water temperature in inner tank is too high.	Please run the ice maker below 90°F and pour colder water into tank.
	Refrigerant liquid leakage.	Verify by a qualified technician.
	Pipe in the cooling system is blocked.	Verify by a qualified technician.

## TECHNICAL PARAMETERS & CIRCUIT DIAGRAM

### TECHNICAL PARAMETERS

Model	048-GM-48201
Description	Ice maker using bottled water, with cold water dispensing function
Power Rating	115V~, 60Hz
Ice-making Rated Current	2.2A
Ice-harvest Rated Current	2.9A
Refrigerant	R134a 97g
Design Pressure	High Side 290Psig
	Low Side 88Psig
Enclosure	Stainless steel or cold rolled sheet metal steel with plastic cover
Dimension	357mm(W)*423mm(D)*452mm(H)
Net Weight	15.6Kg

# CIRCUIT DIAGRAM

