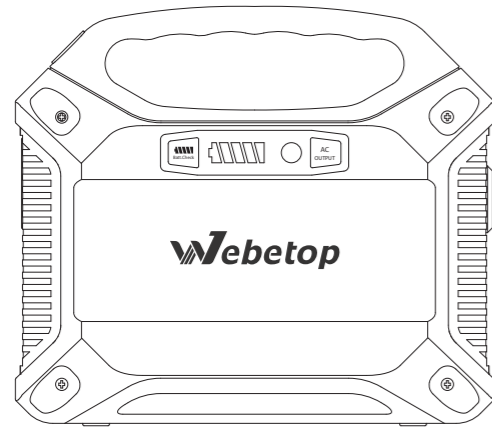


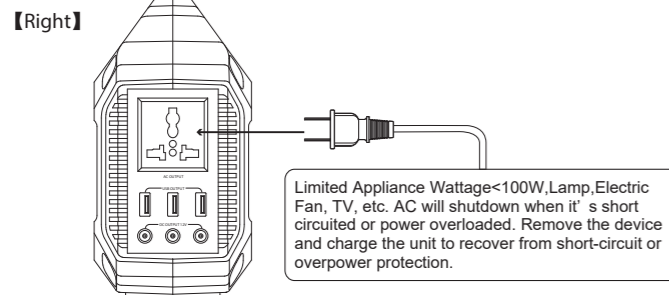
Webetop Portable Generator User Manual



ATTENTION: This user manual is universal for WP-G0155 portable solar generator AC output 110V/230V, 50Hz~60Hz. Actual product specification, actual AC outlet will be different according to different countries. Please refer to the actual product specification before using the product.

2) How to provide power for AC appliances with this product?

Connect the power cable plug of the electrical appliance to the AC outlet of the product, switch on the power button and the unit will start providing power to your appliances.

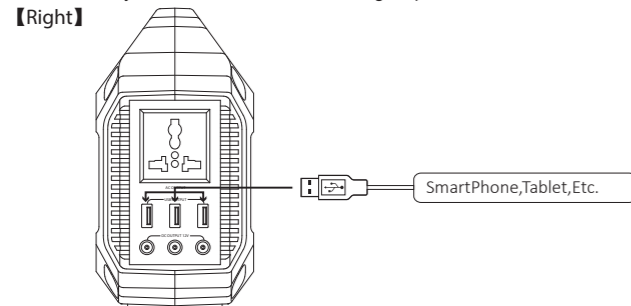


WARNING!
The AC outlets, AC voltage and frequency are different according to different countries; please carefully check whether the product specifications are consistent with the appliance specifications before use, otherwise it can lead to dangerous situations.

※ When the AC port is not in use, turn it off to conserve power.

3) How to provide power for USB digital appliances with this product?

Connect the standard USB cable of digital appliance to the USB output of the unit, press the Battery check button to switch on to gain power.



4) How to use the flashlight

This unit is built with an ultra-bright LED flashlight. Single press the flashlight button to switch on: Flashlight->Blink->Switch off.

Warning! Do not point directly at the eyes of human in case of any damage due to the strong light.

4

ABOUT WEBETOP BRAND

Thank you for buying Webetop portable generator. Webetop is a professional company that is concerned with the design, development, production and sale of portable generator. We devote to offering top quality of products and the excellent service. Before using this unit, please read the user manual carefully for reference. If you have any problems during using the product, please kindly contact us: support@webetop.cn / webetop110@126.com

Support Appliance

This generator support electrical devices under 100 watt. If the total power of AC outlet exceed 100 watt, the generator will automatically switch to DC output for self-protection. The built-in 3*USB, 3*DC and AC output can support different kinds of devices. It is designed not only for emergencies backup power at home, but also for outdoors activities. With Webetop portable generator, you can keep your electrical appliances full of power.

Attention

The generator provides Modified Sine Wave output, and compatible to AC electrical appliance that works with Sinusoidal waveform(power <100W). However, electric appliance which uses AC motor isn't going to work with full capacity on a modified sine wave, it will maybe make the electric appliance arouse some noise. Appliances like refrigerators, microwaves, and compressors that use AC motors and some delicate medical equipment will be better with a pure sine wave inverter. **This product is only used for emergency, it cannot replace the normal alternation current, for long-term use, please adapts the power station specification required by electrical appliances.**

【 I 】 PRODUCT PARAMETERS

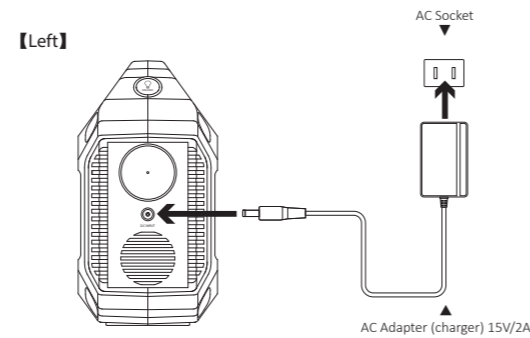
Capacity	155Wh/4200mAh, 3.7V
Dimensions(LWH)	195x90x171mm
Weight	about 1.58Kg
Built-in Battery	High Quality Lithium ion Batteries
Input Recharging	Adapter: DC15V/2A Solar Panel Charging: MPPT 13V~24V, up to 2.1A input
Fully Charged Time	DC 15V/2A:7~8 hours
USB Output	USB 5V-2.1A(Max)
DC Output	DC 9~12.6V/15A, 180W(Max)
AC Output	North America: AC 110V/ 50~60Hz Japan: AC 110V/ 60Hz Europa: AC 230V/ 50Hz PLEASE REFER TO THE ACTUAL PRODUCT BEFORE USING.

1

5) How to charge the unit?

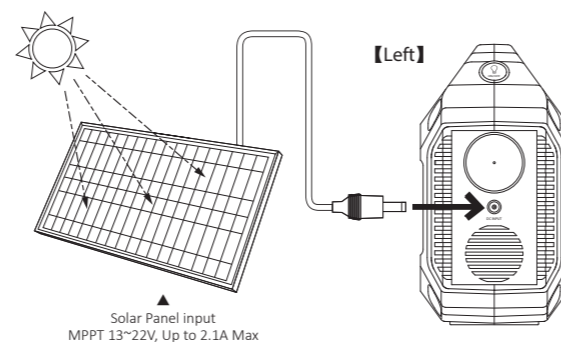
a.Charge through AC Wall Charger

Using the included AC Wall Charger, plug the unit into any wall outlet to charge the unit. You will know the unit is charging when the blue LED battery indicators are blinking. The unit is fully charged when all battery indicators stop blinking and remain solid. After the unit is fully charged, please remove the AC wall charger in time.



b.Charge from Solar panel

1. Place your solar panel where it will get as much direct sunlight as possible.
2. Plug the output of the solar panel into the input of the unit to start charging. You will know the unit is charging when the blue LED Battery Indicator lights up and blinks. The unit is fully charged when all battery indicators stop blinking and remain solid.

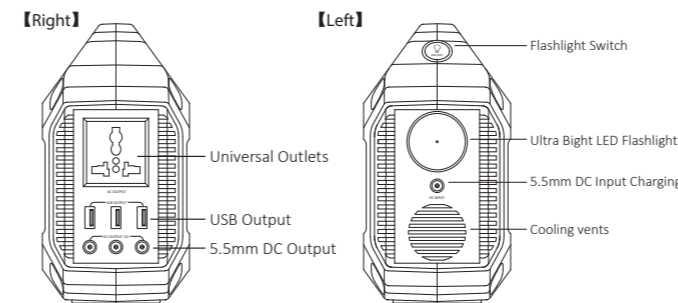
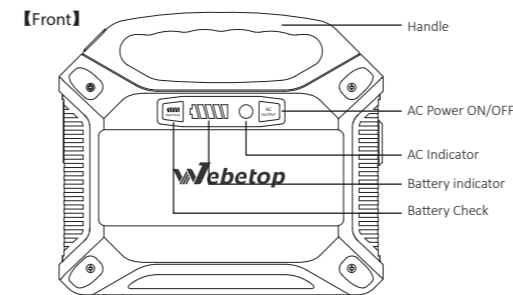


5

Bulb Type	Ultra bright LED Flashlight
Power Indicator	LED Indicators
Operation temperature range	-10 C ~40 C
Lifecycle	>500 times
Package include	1 x Portable SolarGenerator 1 x Power Adapter 1 x Car Charger 1 x cigarette lighter adapter 1 x user manual

※ There may be some differences on different spare parts.Please adhere to the actual product instead.

【 II 】 PRODUCT DESCRIPTION



ATTENTION! AC Outlets, AC output voltage and frequency will be different according to different countries or areas. Please refer to the actual product before using.

2

SUPPORT MPPT TECHNOLOGY

This unit is designed to support charging by solar panel. It's built-in MPPT (Maximum Power Point Tracking) technique, which is designed to use with wind turbines and photovoltaic (PV) solar systems to maximize power extraction under all conditions. With MPPT technology, the unit can compare the output of the solar panels to the battery voltage. It then figures out what is the best power that the panel can put out to charge the battery. And help the unit get maximum AMPS from the solar panels.

※ Actual gain can vary widely depending weather, temperature, battery state of charge, and other factors.

c. Charge by 12V Car Charger

Using the included Car Charger, plug the unit into 12V car charger for charging. You will know the unit is charging when the blue LED Battery Indicators light up and blink. The unit is fully charged when all battery indicators stop blinking and remain solid.

【 IV 】 SECURITY AND MAINTENANCE

- Do not short-circuit the unit. To avoid short-circuiting, keep the unit away from all metal objects (e.g. coins, hair-pins, keys, etc.).
- Do not heat the unit, or dispose of it in fire, water or other liquids. Keep away from high temperatures. Do not expose the unit to direct sunlight.
- Keep away from high humidity, dusty places.
- Do not disassemble or reassemble this unit.
- Do not drop, place heavy objects on, or allow strong impact to this unit.
- This appliance is not intended for use by persons (including children) with reduced physical, sensory or mental capabilities, or lack of experience and knowledge, unless they have been given supervision or instruction concerning use of the appliance by a person responsible for their safety.
- Children should be supervised to ensure that they do not play with the appliance.
- Do not cover the device with towels, clothing and other item.
- The unit may become hot when charging. This is normal. Use caution when handling.
- Do not charge the unit over the required time.
- Disconnect the unit when fully charged.
- Use the unit properly to avoid electronic shock.
- Please deal with scrap products in accordance with the regulations, do not treat the built-in battery as a household garbage, so as not to cause the explosion and pollution.
- The product is only used for emergency power station, it can not replace the standard DC or AC power of household appliances or digital products.

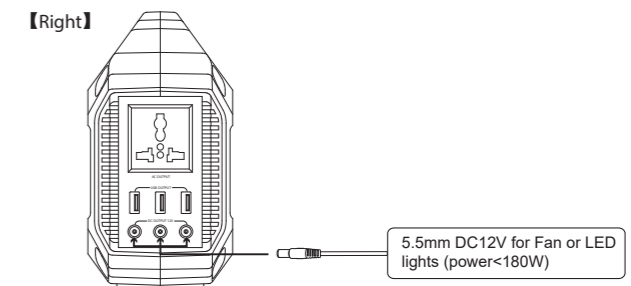
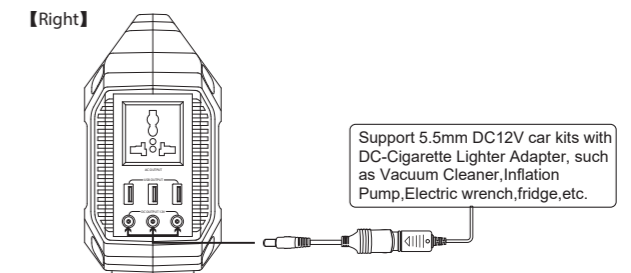
6

【 III 】 PRODUCT INSTRUCTION

1) How to provide power for DC12V appliances(such as head lamp, fan) with this product?

The 5.5mm 12V DC output is plug and play. Plug your appliances to the DC output port to gain power.

Notices: Please confirm whether your DC12V appliance support charging with 5.5mm DC header interface (The diameter of the DC Port of the Product is: 5.5mm), otherwise it is unable to connect with the DC output, you can consult the electrical manufacturer, buy the corresponding adapter and connect with it.



※ **Note:** The 12V DC output voltage is range between 9V~12.6V, maximum output current is 15A. DC output voltage drops while battery capacity drops due to chemical characteristics of the battery. If your appliance is not built-in input voltage stabilizing function, it may shutdown when input voltage is too low, please unplug your device from the unit in time. And please charge the unit in time.

3

【 V 】 PRODUCT APPLICATION SKILLS

- This product is built in high quality original lithium ion battery, it has no memory effect but high-capacity, and it is durable. However, we still recommend you to apply in the range of 10 C ~30 C, so as to obtain the optimal charging capacity.
- When charging, in order to avoid interference, please stay away from TV, radio and other equipment.
- If the device has not been used for a long time, please disconnect the cable and store.
- Some portable devices may need to be set in charge mode to charge, see the corresponding equipment use manual for more information.
- In order to extend the life of product (lithium battery), it is best to charge within 3 months, and charge at least once within 6 months.
- After starting, if there is no any output, it displays to automatically shut down within 3 minutes, so as to achieve better energy-saving effect.

Customer questions & answers

- How to calculate the running time for devices?
For example, if your device power is 40 watt, then the working time is equal to 155wh/40w = 3.8 hours(about).
- How much time can this generator support CPAP machine?
For example, if the rated power of your CPAP machine is 40 watt, you can charge your CPAP machine in 2 ways:
1) charging by AC outlet, the running time is about 155w/40w=3.8 hours.
2) if use DC to DC converter, the running time is much longer.
- What electric device can this generator charge?
As long as the rated power of your device below 100 watt, it works fine.

Recycle

Always return your used electronic products, batteries, and packaging materials to dedicated collection points. This way you help prevent uncontrolled waste disposal and promote the recycling of materials.

Battery information

Your device has an internal, non-removable, rechargeable battery. Do not attempt to remove the battery, as you may damage the device. The battery can be charged and discharged over 500 times, but it will eventually wear out.

If you have other questions about the product, you can contact us: webetop110@126.com / support@webetop.cn, we will reply you within 24 hours.



7