

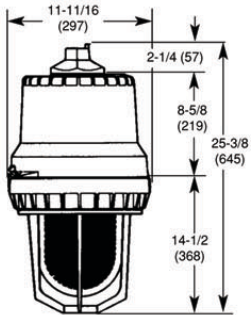
magnalight.com

PROPRIETARY AND CONFIDENTIAL
 THE INFORMATION CONTAINED IN THIS DRAWING IS THE SOLE PROPERTY OF Magnalight.com. ANY REPRODUCTION IN PART OR AS A WHOLE WITHOUT THE WRITTEN PERMISSION IS PROHIBITED.

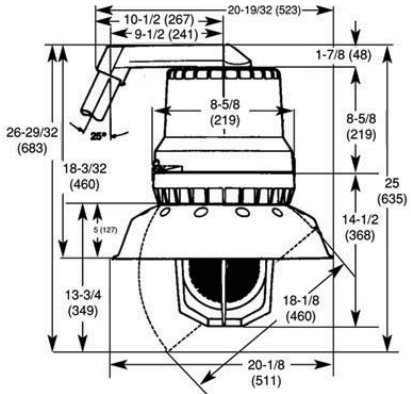
		UNLESS OTHERWISE SPECIFIED:		NAME	DATE	Magnalight.com	
		DIMENSIONS ARE IN INCHES		DRAWN			
		TOLERANCES:		CHECKED		TITLE: 9D@ < 6I (\$SA < 1DB 8	
		FRACTIONAL ±		ENG APPR.			
		ANGULAR: MACH ± BEND ±		MFG APPR.			
		TWO PLACE DECIMAL ±		Q.A.			
		THREE PLACE DECIMAL ±		COMMENTS:			
		INTERPRET GEOMETRIC TOLERANCING PER:				SIZE DWG. NO. REV	
		MATERIAL				Expl Bolt Top	
		FINISH				SCALE: 1:8 WEIGHT: SHEET 1 OF 1	
NEXT ASSY	USED ON	APPLICATION		DO NOT SCALE DRAWING			



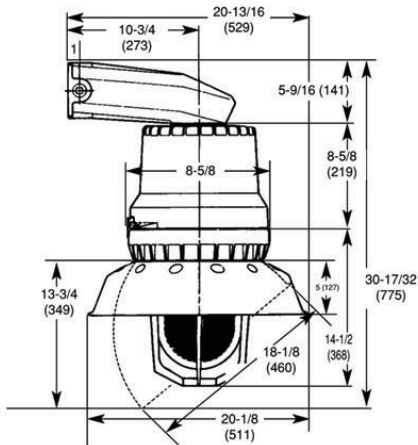
Dimensional Drawings



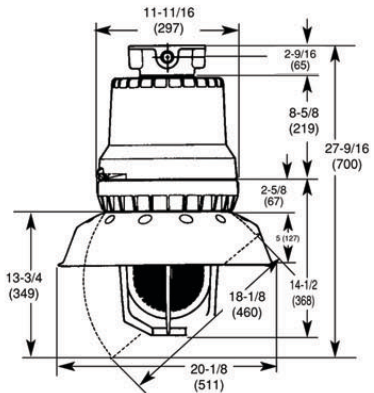
**Pendant Mount
with globe and guard**



**Stanchion Mount
with globe, guard and reflector**



**Wall Mount
with globe, guard and reflector**



**Ceiling Mount
with globe, guard and reflector**