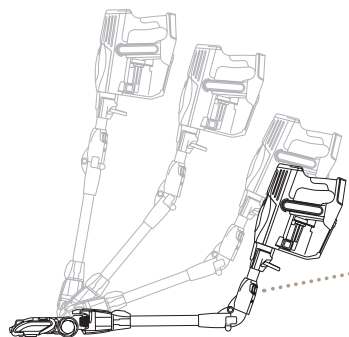


MULTIFLEX® REACH

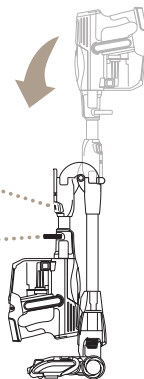
Press the MultiFLEX Lock Release button to lower the angle of the wand to increase your reach.



MultiFLEX Lock Release



Carry Handle



MULTIFLEX STORAGE

Press the MultiFLEX Lock Release button and hold it down while folding the handvac forward, until the unit locks in storage mode.

To vacuum, press the MultiFLEX Lock Release button while lifting up the handvac, until the wand locks in place.

Please make sure to read the enclosed Shark® Owner's Guide prior to using your vacuum.

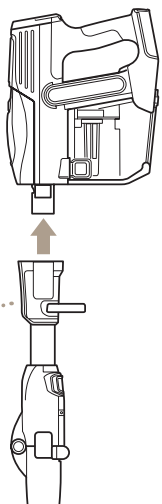
duo clean™

Shark ION™ F80

CORD-FREE MULTIFLEX®

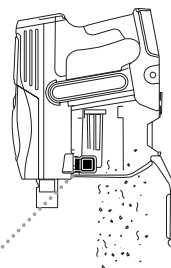
EMPTYING THE DUST CUP

1. To empty dust cup, first remove the handvac from the wand by pressing the Wand Release button and pulling up on the handvac.



Wand Release Button

2. Position dust cup over a trash bin, then open the bottom of the dust cup by pressing the Dust Cup Release button on the side.



Dust Cup Release Button

QUICK START GUIDE

Use this Quick Start Guide to start using your new vacuum's great features.

For questions, visit us online at sharkclean.com

Register your vacuum at registeryourshark.com



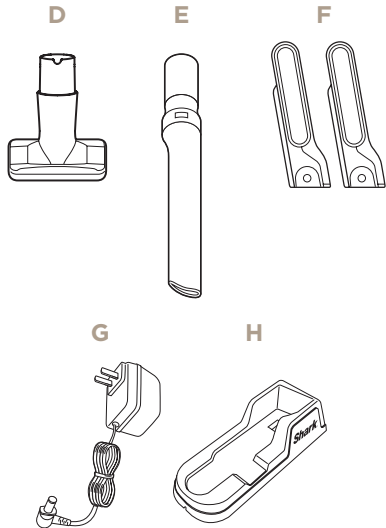
Shark



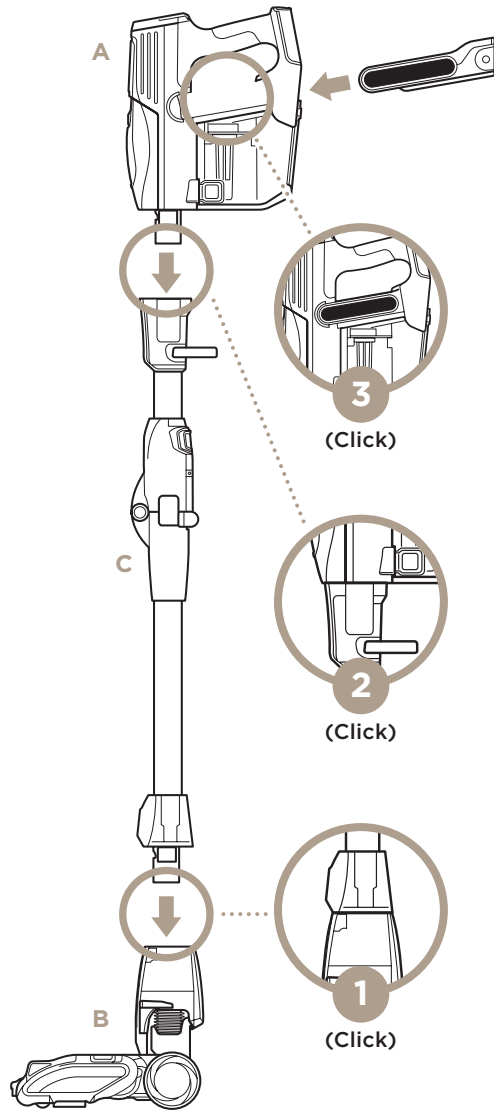
@sharkcleaning

WHAT'S INSIDE:

- A Handheld Vacuum
- B Motorized Floor Nozzle
- C MultiFLEX® Wand
- D Upholstery Tool
- E 8" Crevice Tool
- F ION Power Pack (x2)
- G ION Power Pack Charger
- H ION Power Pack Charging Dock



ASSEMBLY



SMART RESPONSE™ TECHNOLOGY

Press the Surface Settings button to switch floor types. Press the ION BOOST button to intelligently switch between ION POWER and ION BOOST.

Surface Settings



CARPET

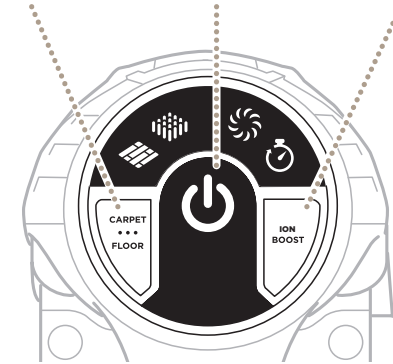
For carpets.



FLOOR

For bare floors and small area rugs.

Power Button



Suction Settings



For everyday cleaning.



Press for a timed 1-minute boost of increased suction for high-traffic areas and heavy messes. Press and hold for manual control of ION Boost for as long as you need it.

NOTE: For deep cleaning per ASTM F 608 (embedded dirt in carpets) please select CARPET and ION BOOST settings.
NOTE: Select Carpet setting for stuck-on dirt and debris.

ION POWER PACK

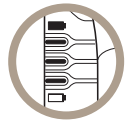
In Use



Charging



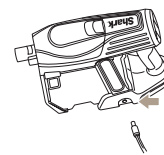
NOTE: Full charge takes approximately 3.5 hours.



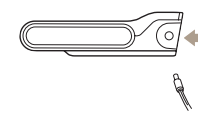
Battery Indicator Lights

NOTE: ION Power Pack comes with a partial charge. Fully charge prior to first use and then completely discharge to condition the pack.

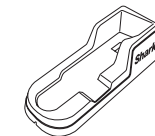
VERSATILE CHARGING



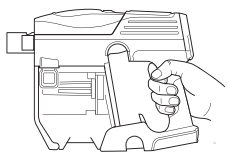
IN THE VACUUM



OUT OF THE VACUUM



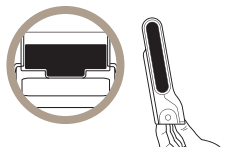
IN AVAILABLE CHARGING DOCK



Easily Insert or Remove the ION Power Pack

To insert, slide the ION Power Pack into the slot in the back of the hand vac.

To remove, pinch the release tab then slide out the ION Power Pack.



For complete maintenance instructions, see the enclosed Owner's Guide.

For additional parts and accessories, visit sharkaccessories.com.

For additional batteries and charging accessories, visit sharkclean.com/batteries.