



Mini Crib (5598) - Assembly and Operation Manual

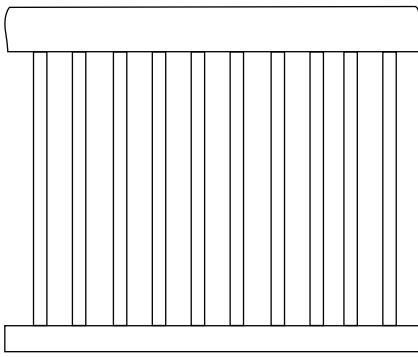
Congratulations on purchasing a MDB Family Product. This crib will provide many years of service if you adhere to the following guidelines for assembly, maintenance and operation. This crib is for residential use only. Any institutional use is strictly prohibited.

Please be sure to follow the instructions for proper assembly. Use a Phillips head screwdriver for assembling the crib in addition to the Allen wrench included in the hardware box. Do not use power screwdrivers. All of our cribs are made from natural woods. Please understand that natural woods have color variations which are the result of nature and not defects in workmanship.

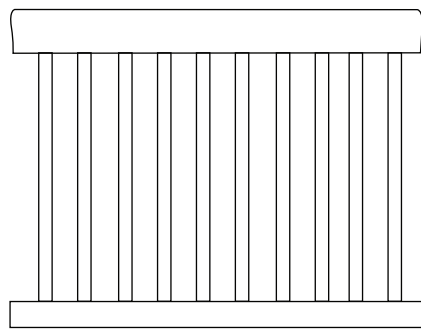
READ ALL INSTRUCTIONS BEFORE ASSEMBLY AND USE OF PRODUCT. KEEP INSTRUCTIONS FOR FUTURE USE. DO NOT SUBSTITUTE PARTS. ALL MODELS HAVE THE SAME QUANTITY OF PARTS AND HARDWARE. YOUR MODEL MAY LOOK DIFFERENT FROM THE ONE ILLUSTRATED DUE TO STYLISTIC VARIATIONS.



CRIB PARTS



A. Headboard



B. Footboard



E. Front left Leg



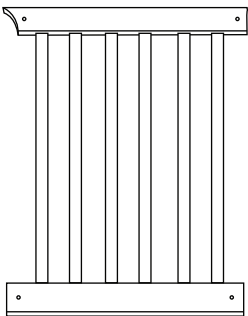
F. Front right leg



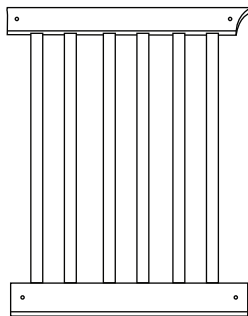
G. Rear left Leg



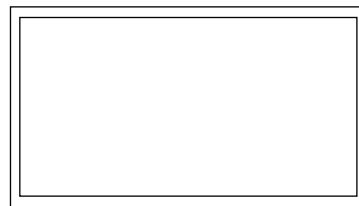
H. Rear right leg



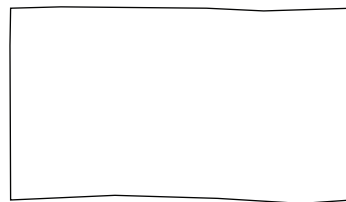
C. Left side panel



D. Right side panel



J. Mattress support board



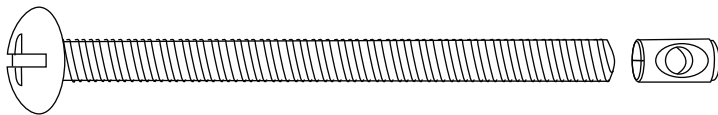
K. Mattress pad



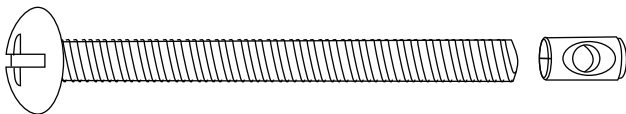
I. Foot X 4



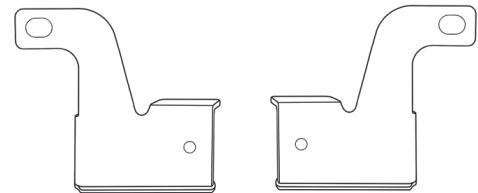
HARDWARE



H1. 3" Phillips head bolt with Nut (8)

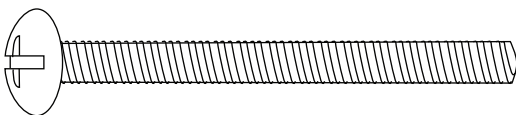


H2. 2 1/2" Phillips head bolt with Nut (4)



H5. Mattress board mounting bracket left (2)

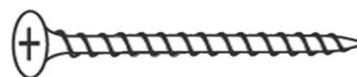
H6. Mattress board mounting bracket right (2)



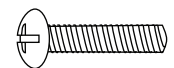
H3. 2 1/2" Phillips head bolt (4)



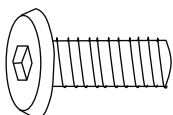
H7. Wood Dowel (8)



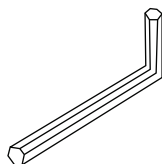
H8. 1 3/4" Phillips head screw (4)



H9. 11/16" Phillips head bolt (4)



H4. 3/4" Allen head bolt (4)



H10. Allen wrench



H11. Plastic plug (4)

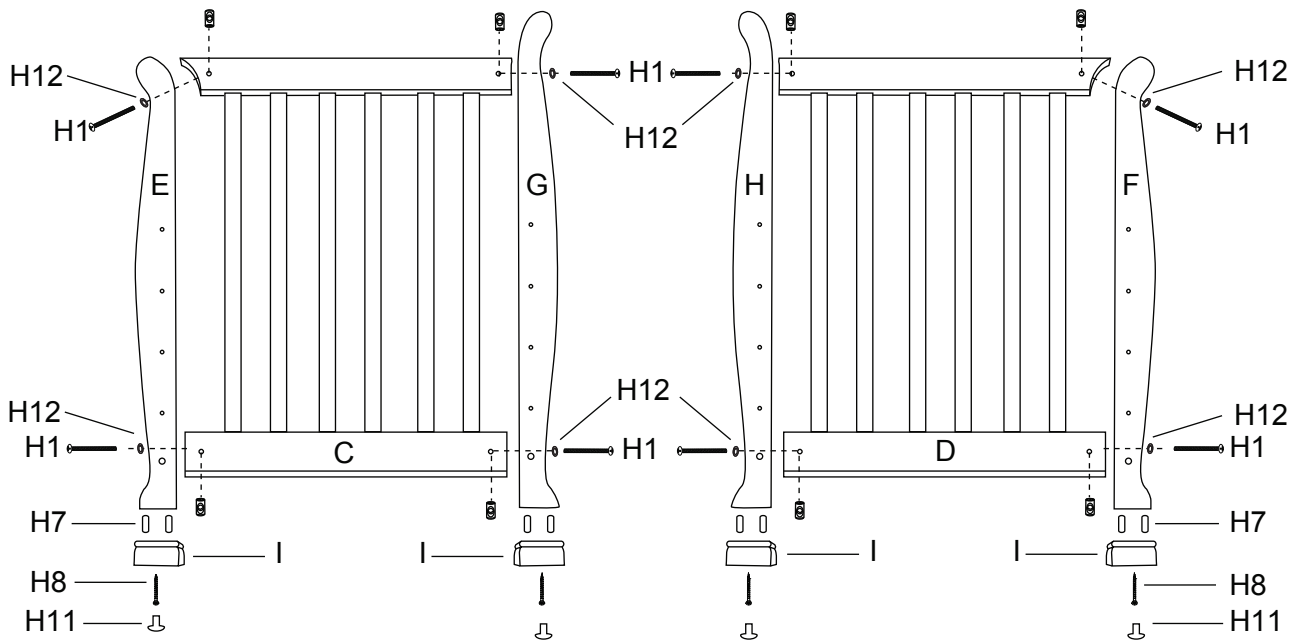


H12. Big Lock washer (20)



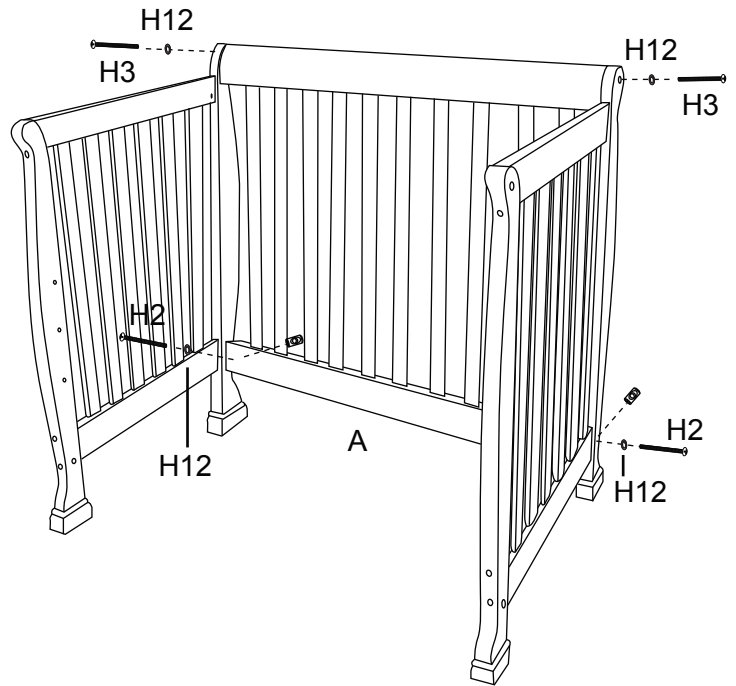
H13. Small Lock washer (4)

STEP 1. Assembling the foots, legs and side panels.



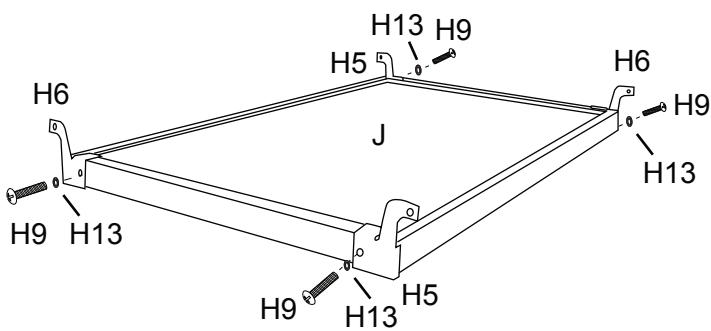
STEP 2.

Attaching the side panels to the headboard.



STEP 3.

Attaching the mattress board mounting brackets to the mattress support board.

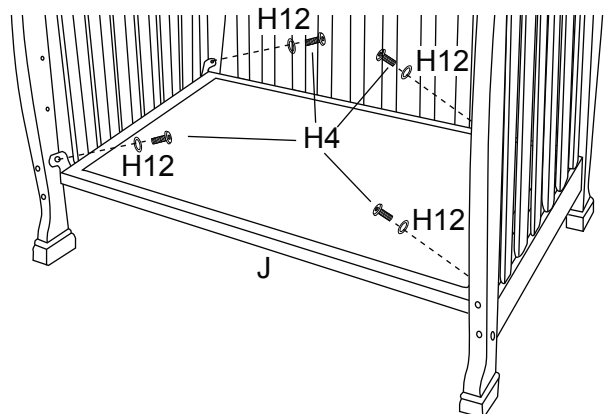


STEP 4.

Placing the mattress support board to the crib. Attaching the mattress support board to legs using Allen wrench.

Make sure the support frame is level.

* As the child grows, it is important to lower the mattress support board .

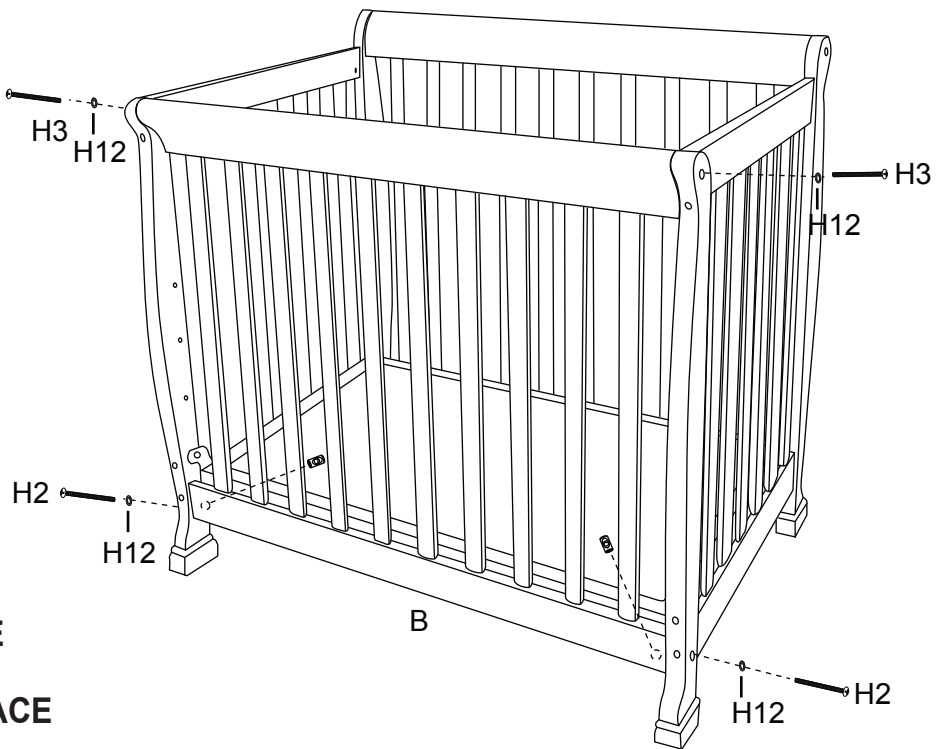


STEP 5.

Attaching the footboard to the crib.

*Recheck all screws and bolts to be sure they are fastened securely.

DO NOT OVERTIGHTEN.



READ ALL INSTRUCTIONS BEFORE ASSEMBLING CRIB. KEEP THIS MANUAL IN A SAFE PLACE FOR FUTURE REFERENCE.

! WARNING: INFANTS CAN SUFFOCATE

- In gaps between a mattress too small or too thick and product sides
- On soft bedding **NEVER** add a mattress, pillow, comforter, or padding

CAUTION: Use ONLY mattress/pad provided by manufacturer (which must be at least 36.75 in. long by 23.75 in. wide and not more than 5 in. thick).

Please refer to the label (sample below) on the inside face of the headboard. Record the model/ item number and serial number of your crib, the name of the store where you made the purchase, the date of purchase and the wood finish in the box to the lower right.

WE WILL ASK YOU FOR YOUR SERIAL NUMBER FOR ALL WARRANTY AND REPLACEMENT PART REQUESTS. PLEASE REFER TO THE LAST PAGE OF THIS INSTRUCTION SHEET FOR WARRANTY INFORMATION. KEEP THIS MANUAL FOR FUTURE REFERENCE.

Use ONLY mattress / pad provided by manufacturer (which must be at least 36.75 in. long by 23.75 in. wide and not more than 5 in. thick).

MODEL/ITEM NUMBER	XXXX
SERIAL NUMBER	XXXXXXXXXX
DATE OF MANUFACTURE	XX/XX

THIS PRODUCT CONFORMS TO THE APPLICABLE REGULATIONS OF THE CONSUMER PRODUCTS SAFETY COMMISSION.

855 WASHINGTON BLVD.
MONTEBELLO, CA 90640
www.themdbfamily.com

SAMPLE LABEL

Model Number: _____

Serial Number: _____

Store Where Purchased: _____

Date of Purchase: _____

Wood Finish: _____

Please read the Caution and Warning Statements insert before using your crib.



WARNING:

Failure to follow these warnings and the assembly instructions could result in serious injury or death.

READ ALL INSTRUCTIONS BEFORE ASSEMBLING CRIB. KEEP THE MANUAL FOR FUTURE USE.

WARNING:

- The product, including side rails, must be fully erected prior to use.
- Infants can suffocate on soft bedding. Never add a pillow, comforter or padding.
- To reduce the risk of SIDS, pediatricians recommend healthy infants be placed on their backs to sleep, unless otherwise advised by your physician.
- Strings can cause strangulation! Do not place items with a string around a child's neck, such as hood strings or pacifier cords. Do not suspend strings over a crib or attach strings to toys.
- To help prevent strangulation tighten all fasteners. A child can trap parts of the body or clothing on loose fasteners.
- DO NOT place a crib near a window where cords from blinds or drapes may strangle a child.
- When a child is able to pull to a standing position, set the mattress to the lowest position and remove bumper pads, large toys and other objects that could serve as steps for climbing out.
- For cribs with drop sides, after raising side, make sure latches are secure.
- For cribs with drop sides, DO NOT leave child in crib with side lowered. Be sure side is in raised and locked position whenever child is in crib.
- When a child is able to climb out, reaches the height of 35 inches (90cm), the child should be placed in a youth or regular bed, and the crib shall no longer be used.
- Check this product for damaged hardware, loose joints, missing parts or sharp edges before and after assembly and frequently during use. DO NOT use crib if any parts are missing, damaged or broken. Contact MDB Family for replacement parts and instructional literature if needed. DO NOT substitute parts.
- NEVER use a water mattress with this product.
- For cribs equipped with teething rails, replace teething rail if damaged, cracked or loose.
- If refinishing, use a non-toxic finish specified for children's products.
- Never use plastic shipping bags or other plastic films as mattress covers not sold and intended for that purpose. They can cause suffocation.
- Infants can suffocate in gaps between crib sides when used with a mattress that is too small.
- Check fasteners periodically for tightness. Do not overtighten. This may cause distortion or breakage.
- Use a crib as a crib, not as a play pen. Remember that a crib is not a substitute for a parent's supervision.
- When re-assembling the crib for your second child, please keep in mind that the screw holes will need to be filled in order for the screws to grip the wood, Talk to your local hardware store or lumber yard about how to do this properly.
- Child can become entrapped and die when improvised netting or covers are placed on top of a play yard. Never add such items to confine child in play yard.
- Replace teething rails if damaged, cracked or loose.
- Always provide the supervision necessary for the continued safety of your child. When used for playing, never leave child unattended.

Please **DO NOT** remove any wood screws in the normal disassembly of the crib.

ONE YEAR LIMITED WARRANTY:

We will replace any missing parts at the time of purchase or any defective item within a one year period from the date of original purchase. Please keep your receipt so that we may process your warranty request. This warranty only covers new units with original packaging and ownership, and is not transferable. It does not cover any used, secondhand or demo models.

This warranty does not cover any damaged or defective parts that result from installation and assembly, normal wear and tear, abuse, negligence, improper use or alteration to the finish, design, and hardware of the crib. The specific legal rights of this warranty may vary from state to state. Some states do not allow any exclusion or limitation of incidental damages. Some States do not allow limitation on how long an implied warranty lasts.

Storage:

- Pine woods exchange moisture with the air adjusting to major changes in room temperature and humidity. Therefore, it is best to place your furniture away from heating or air-conditioning vents.
- Sunlight is not friendly to solid wood furniture and prolonged direct exposure to harsh sunlight can discolor the finish. Be careful not to place your furniture in direct sunlight for extended periods of time. As with all your fine furniture, blot up spills immediately.

Care and Cleaning:

- Do not scratch or chip the finish. Do not use abrasive chemicals for cleaning. Clean with mild soap on a soft rag. Rinse and dry thoroughly. If you ever refinish this furniture, be sure to use only a non-toxic finish specified for children's products. If you choose to refinish this furniture, the warranty will be voided.

Registering your product is even easier than before. You can register your product on our website at : www.themdbfamily.com

IF YOU WOULD LIKE TO ORDER REPLACEMENT OR MISSING PARTS PLEASE VISIT US AT:

WWW.THEMDBFAMILY.COM

OR YOU CAN CONTACT US BY MAIL:

**MDB FAMILY
855 WASHINGTON BLVD.
MONTEBELLO, CA 90640**