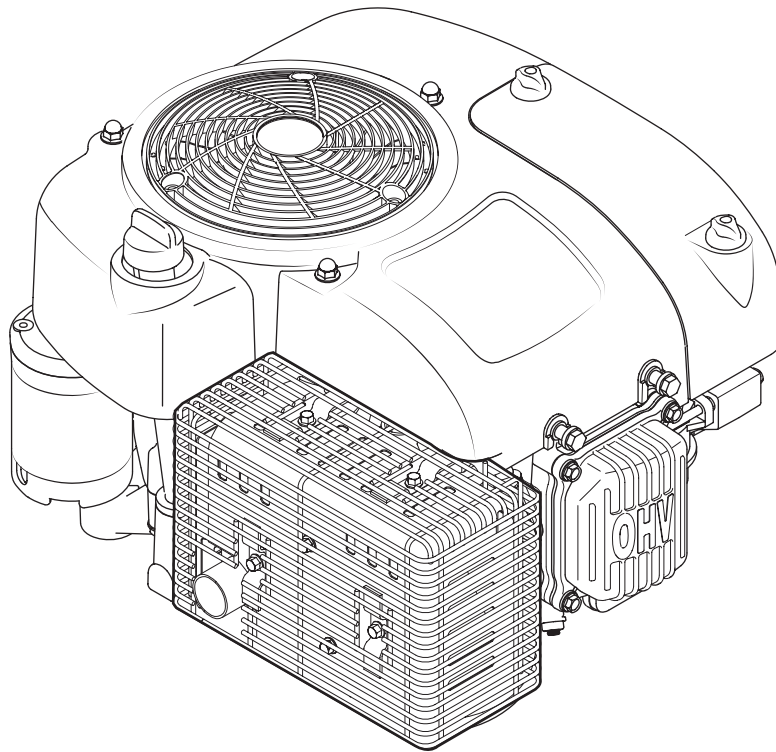


OPERATOR'S MANUAL



420 cc OHV Vertical Shaft Engine

⚠ WARNING

**READ AND FOLLOW ALL SAFETY RULES AND INSTRUCTIONS IN THIS MANUAL
BEFORE ATTEMPTING TO OPERATE THIS ENGINE.
FAILURE TO COMPLY WITH THESE INSTRUCTIONS MAY RESULT IN PERSONAL INJURY.**

MTD LLC, P.O. BOX 361131 CLEVELAND, OHIO 44136-0019

Thank You

This Operator's Manual is an important part of your new engine. It will help you prepare and maintain the engine for the best performance. Please read and understand the contents before operating the engine.

Table of Contents

<i>Important Safe Operation Practices</i>	3	<i>Maintenance & Adjustments</i>	10
<i>Safety Labels</i>	5	<i>Troubleshooting</i>	16
<i>Set-Up</i>	6	<i>Replacement Parts</i>	17
<i>Controls & Features</i>	8	<i>Spanish</i>	21
<i>Operation</i>	9		

Record Product Information

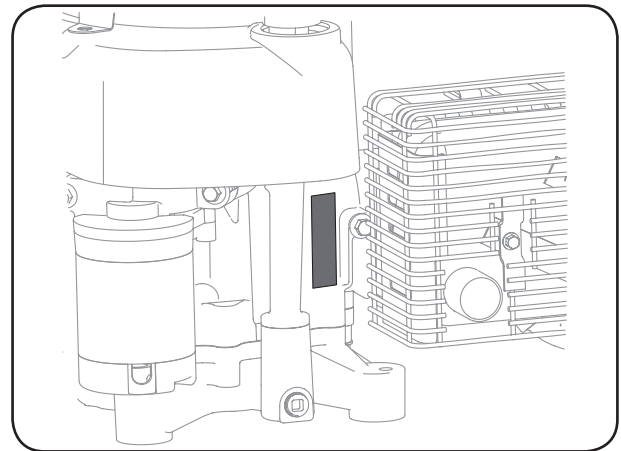
Before operating your new engine, please locate the model plate on the engine (shaded area in Figure below) and record the information in the provided area below. This information will be necessary, should you seek technical support via our web site or with your local dealer.

MODEL NUMBER

--	--	--	--	--	--	--

SERIAL NUMBER

--	--	--	--	--	--	--	--	--	--	--	--



Customer Support

Please do NOT return the machine to the retailer or dealer without first contacting the Customer Support Department.

If you have difficulty assembling this product or have any questions regarding the controls, operation, or maintenance of this machine, you can seek help from the experts. Choose from the options below:

- ◇ Visit us on the web at www.mtdproducts.com
- ◇ Call a Customer Support Representative at (800) 800-7310 or (330) 220-4683
- ◇ Write to MTD LLC • P.O. Box 361131 • Cleveland, OH • 44136-0019

Important Safe Operation Practices

2



WARNING! This symbol points out important safety instructions which, if not followed, could endanger the personal safety and/or property of yourself and others. Read and follow all instructions in this manual before attempting to operate the equipment. Failure to comply with these instructions may result in personal injury. When you see this symbol. **HEED ITS WARNING!**

CALIFORNIA PROPOSITION 65



WARNING! Engine Exhaust, some of its constituents, and certain vehicle components contain or emit chemicals known to State of California to cause cancer and birth defects or other reproductive harm.



DANGER! This machine was built to be operated according to the safe operation practices in this manual. As with any type of power equipment, carelessness or error on the part of the operator can result in serious injury. This machine is capable of amputating fingers, hands, toes and feet and throwing foreign objects. Failure to observe the following safety instructions could result in serious injury or death.

Training

1. Read, understand and follow all instructions on the engine and in the manual(s) before attempting to assemble and operate. Keep this manual in a safe place for future and regular reference and for ordering replacement parts.
2. Be familiar with all controls and their proper operation. Know how to stop the engine and disengage them quickly.
3. Never allow children under 14 years of age to operate the engine. Children 14 and over should read and understand the instructions and safe operation practices in this manual and be trained and supervised by an adult.
4. Never allow adults to operate the machine without proper instruction.
5. Keep the area of operation clear of all persons, particularly small children and pets. Stop machine if anyone enters the area.

Preparation

1. Thoroughly inspect the area where the equipment is to be used. Remove all stones, sticks, wire and other foreign objects which could be tripped over and cause personal injury.
2. Wear sturdy, rough-soled work shoes and close fitting slacks and shirts. Loose fitting clothes or jewelry can be caught in the moving parts. Never operate the machine in bare feet or sandals.
3. Disengage clutch levers and shift (if equipped) into neutral ("N") before starting the engine.

4. Never leave the engine running while unattended.
5. Never attempt to make any adjustments while the engine is running, except where specifically recommended in the operator's manual.

Safe Handling of Gasoline:

To avoid personal injury or property damage, use extreme care in handling gasoline. Gasoline is extremely flammable and the vapors are explosive. Serious personal injury can occur when gasoline is spilled on yourself and/or your clothes which can ignite. Wash your skin and change clothes immediately.

1. When adding fuel, turn engine OFF and let engine cool at least 2 minutes before removing the gas cap.
2. Fill fuel tank outdoors or in well ventilated area.
3. Use only an approved gasoline container.
4. Never fill containers inside a vehicle or on a truck or trailer bed with a plastic liner. Always place containers on the ground away from your vehicle before filling.
5. If possible, remove gas-powered equipment from the truck or trailer and refuel it on the ground. If this is not possible, then refuel such equipment on a trailer with a portable container, rather than from a gasoline dispenser nozzle.
6. Keep the nozzle in contact with the rim of the fuel tank or container opening at all times until fueling is complete. Do not use a nozzle lock-open device.

7. Do not overfill fuel tank. Fill tank to full as indicated by the fuel level indicator installed inside of the fuel tank. Do not over-fill to allow space for fuel expansion. On some models, a fuel level indicator may NOT be present, in this instance, fill the tank no more than 1/2 inch below the bottom of the filler neck to allow space for fuel expansion.
8. Replace fuel cap and tighten until the cap ratchets.
9. If gasoline is spilled, wipe it off the engine and the equipment. Move the machine to another area. Wait five minutes before starting the engine.
10. To reduce fire hazards, keep the machine free of grass, leaves or other debris build up. Clean up oil or fuel spillage and remove any fuel-soaked debris.
11. Keep gasoline away from sparks, open flames, pilot lights, heat, and other ignition sources.
12. Never fuel equipment indoors because flammable vapors will accumulate in the area.
13. Extinguish all cigarettes, cigars, pipes, and other sources of ignition.
14. Check fuel line, tank, cap, and fittings frequently for cracks or leaks. Replace if necessary.

Operation

1. When starting the engine, make sure spark plug, muffler, and fuel cap are in place.
2. Do not crank engine with spark plug removed.
3. If fuel spills, wait until it evaporates before starting engine.
4. Allow muffler, engine cylinder, and fins to cool before touching.
5. Keep children away from hot or running engines. They can suffer burns from a hot muffler.
6. Remove accumulated combustibles from muffler and cylinder area.
7. Operate equipment with all guards in place.
8. Keep hands and feet away from rotating parts.
9. Tie up long hair and remove jewelry.
10. Do not wear loose-fitting clothing, dangling drawstrings or items that could become caught.
11. When starting the engine, pull cord slowly until resistance is felt, then pull rapidly (if not electric start).
12. Remove all external equipment/engine loads before starting engine.
13. Direct coupled equipment components such as, but not limited to blades, impellers, pulleys, sprockets, etc., must be securely attached.

Maintenance & Storage

1. Keep the engine in safe working order
2. Allow the engine to cool at least five minutes before storing. Never tamper with safety devices. Check their proper operation regularly.
3. Check bolts and screws for proper tightness at frequent intervals to keep the engine in safe working condition. Visually inspect the engine for any damage.
4. Before cleaning, repairing or inspecting; stop the engine and make certain all moving parts have stopped. Disconnect the spark plug wire and ground it against the engine to prevent unintended starting.
5. Do not change the engine governor settings or over-speed the engine. The governor controls the maximum safe operating speed of the engine.
6. Maintain and replace safety and instruction labels as necessary.
7. Always refer to the operator's manual for important details if the machine is to be stored for an extended period of time.
8. If the fuel tank has to be drained, do this outdoors.
9. Observe proper disposal laws and regulations for gas, oil, etc. to protect the environment.

Do not modify engine

To avoid serious injury or death, do not modify engine in any way. Tampering with the governor setting can lead to a runaway engine and cause it to operate at unsafe speeds. Never tamper with factory setting of engine governor.

Notice Regarding Emissions

Engines which are certified to comply with California and federal EPA emission regulations for SORE (Small Off Road Equipment) are certified to operate on regular unleaded gasoline, and may include the following emission control systems: Engine Modification (EM), Oxidizing Catalyst (OC), Secondary Air Injection (SAI) and Three Way Catalyst (TWC) if so equipped.

Spark Arrestor








WARNING! This machine is equipped with an internal combustion engine and should not be used on or near any unimproved forest-covered, brush covered or grass-covered land unless the engine's exhaust system is equipped with a spark arrestor meeting applicable local or state laws (if any).

If a spark arrestor is used, it should be maintained in effective working order by the operator. In the State of California the above is required by law (Section 4442 of the California Public Resources Code). Other states may have similar laws. Federal laws apply on federal lands.

A spark arrestor for the muffler is available through your nearest engine authorized service dealer or contact the service department, P.O. Box 361131 Cleveland, Ohio 44136-0019.

Safety Symbols

This page depicts and describes safety symbols that may appear on this product. Read, understand, and follow all instructions on the machine before attempting to assemble and operate.

Symbol	Description
	READ THE OPERATOR'S MANUAL(S) Read, understand, and follow all instructions in the manual(s) before attempting to assemble and operate.
	WARNING—GASOLINE IS FLAMMABLE Allow the engine to cool at least two minutes before refueling.
	WARNING— CARBON MONOXIDE Never run an engine indoors or in a poorly ventilated area. Engine exhaust contains carbon monoxide, an odorless and deadly gas.
	WARNING— ELECTRICAL SHOCK Do not use the engine's electric starter in the rain.
	WARNING— HOT SURFACE Engine parts, especially the muffler, become extremely hot during operation. Allow engine and muffler to cool before touching.



WARNING! Your Responsibility — Restrict the use of this power machine to persons who read, understand and follow the warnings and instructions in this manual and on the machine.

SAVE THESE INSTRUCTIONS!

Gas & Oil

NOTE: The engine is shipped without gasoline and with motor oil in the engine. However, you **MUST** check the oil level before operating. Be careful not to overfill. Running the engine with insufficient oil can cause serious engine damage and void the engine warranty.



WARNING! Always keep hands and feet clear of equipment moving parts. Do not use a pressurized starting fluid. Vapors are flammable.

Oil Recommendations

Before starting engine, check oil level, capacity is 1700 ml/57.5 fl. oz. Refer to viscosity chart in Figure 3-1 for oil recommendations. Do not over-fill. Use a 4-stroke, or an equivalent high detergent, premium quality motor oil certified to meet or exceed U.S. automobile manufacturer's requirements for service classification of a minimum level SJ (higher letter ratings are acceptable such as SL and SM grades). Motor oil will display this designation on the container.

SAE 10W-30 is recommended for general, all temperature use. If single viscosity oil is used, select the appropriate viscosity for the average temperature in your area from the chart below.

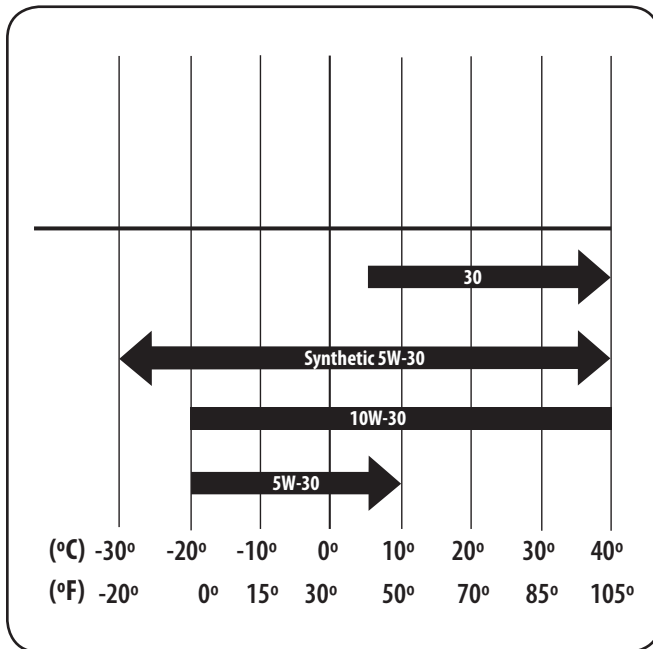


Figure 3-1

CAUTION: Do not use non-detergent oil or 2-stroke engine oil. It could shorten the engine's service life.

NOTE: A 5w30 synthetic oil may be used to improve start ability for cold weather (temperatures below 40° F).

Checking Oil Level

NOTE: Be sure to check the oil while on a level surface with the engine stopped.

1. Remove the oil filler cap/dipstick and wipe the dipstick clean.
2. Insert the dipstick into the oil filler neck. Turn the dipstick a 1/4 turn into the locked position to fully seat. See Figure 3-2.

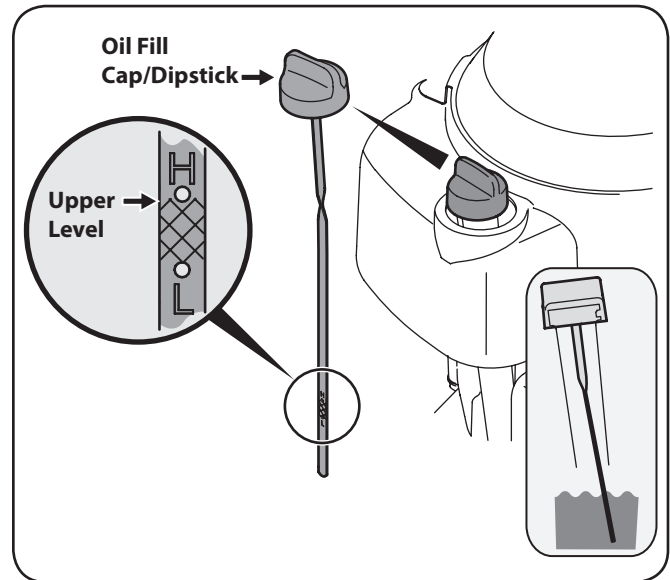


Figure 3-2

3. Remove dipstick to check the oil level.
4. If the level is low, slowly add oil to the upper limit on the dipstick. See Figure 3-2 inset.
5. Reinsert the dipstick and turn to locked position before starting the engine.

NOTE: Do not overfill. Overfilling with oil may cause smoking, hard starting, spark plug fouling, or oil saturation of air cleaner.

Fuel Requirements



CAUTION: Operating the engine with E15 or E85 fuel, an oil/gasoline mixture, dirty gasoline, or **gasoline over 30 days old** without fuel stabilizing additive may result in damage to your engine's carburetor. Subsequent damage would **not** be covered under the manufacturer's warranty.

Use automotive gasoline (unleaded or low leaded to minimize combustion chamber deposits) with a minimum of 87 octane. Gasoline with up to 10% ethanol (E10) or 15% MTBE (Methyl Tertiary Butyl Ether) can be used. Never use an oil/gasoline mixture or dirty gasoline. Avoid getting dirt, dust, or water in the fuel tank. **DO NOT use E15 or E85 gasoline.**



WARNING! Gasoline is extremely flammable and is explosive under certain conditions.

- Refuel in a well-ventilated area with the engine stopped. Do not smoke or allow flames or sparks in the area where the engine is refueled or where gasoline is stored.
- Do not overfill the fuel tank. After refueling, make sure the tank cap is closed properly and securely.
- Be careful not to spill fuel when refueling. Spilled fuel or fuel vapor may ignite. If any fuel is spilled, make sure the area is dry before starting the engine.
- Avoid repeated or prolonged contact with skin or breathing of vapor.

Adding Fuel



WARNING! An adult should fuel this engine. NEVER allow children to refuel the engine. Gasoline (fuel) vapors are highly flammable and can explode. Fuel vapors can spread and be ignited by a spark or flame many feet away from engine. To prevent injury or death from fuel fires, follow these instructions:

- DO NOT use leaded fuel.
- Fuel must be fresh and clean. NEVER use fuel left over from last season or stored for long periods.
- NEVER mix oil with fuel.
- DO NOT use fuel containing Methanol (Wood Alcohol)

NOTE: Before refueling, allow engine to cool two minutes.

1. Clean around fuel fill before removing cap to fuel.
2. Fill tank until fuel reaches ½ inch below the bottom of the filler neck to allow space for fuel expansion. Be careful not to overfill.
3. Replace the gasoline cap and tighten securely. Wipe up spilled fuel before starting engine. If fuel is spilled DO NOT start engine. Move machine away from area of spillage. Avoid creating any source of ignition until fuel vapors are gone.

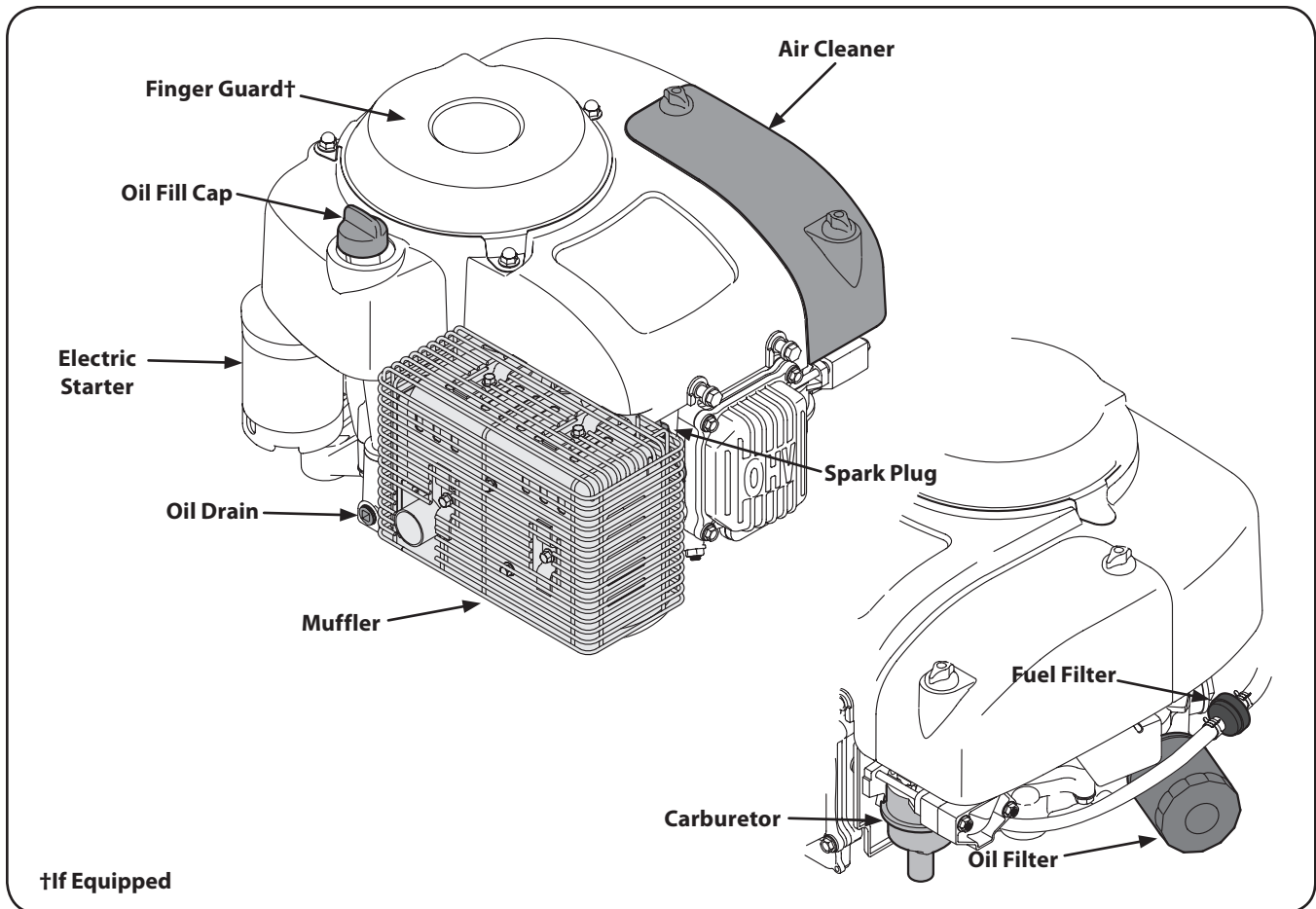


Figure 4-1

Throttle/Choke Control

The throttle/choke control is located on the mower and is used to aid in starting/stopping the engine and adjusting engine speeds. Refer to the Controls and Features section of the mower manual for more information regarding this control.

Oil Drain

Removing the oil drain plug will drain the oil from the engine. The engine is equipped with a side drain.

Oil Fill Cap

Remove the oil fill cap to check the oil level and add oil.

Fuel Cap

Remove the fuel cap to add fuel. Refer to the Controls and Features section of the lawn mower's manual for the location of the fuel cap.

Pre-Operation Check

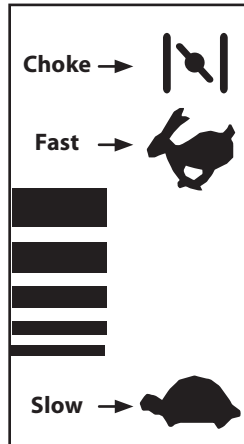
The engine is shipped without gasoline and with oil in the engine. See the Set-Up Section of this manual for instructions on adding gasoline and checking oil.

Starting the Engine

1. Release all controls on the mower.
2. Move the gear shift lever into the neutral (N) position.
3. If starting a cold engine, place the throttle/choke control all the way forward, into the CHOKE position.

Note: Use of choke may not be necessary if the engine is warm or the air temperature is high.

4. Insert the key into the ignition switch.
5. Turn the ignition key clockwise to the START position. After the engine starts, release the key. It will return to the RUN position. See Figure 5-1.



CAUTION: Do NOT hold the key in the START position for longer than five seconds at a time. Doing so may cause damage to your engine's electric starter.

6. Move the throttle/choke control into the FAST (rabbit) position.
- Note:** Never leave the throttle/choke control in the CHOKE while operating the mower. Doing so will result in a "rich" fuel mixture and cause the engine to run poorly.

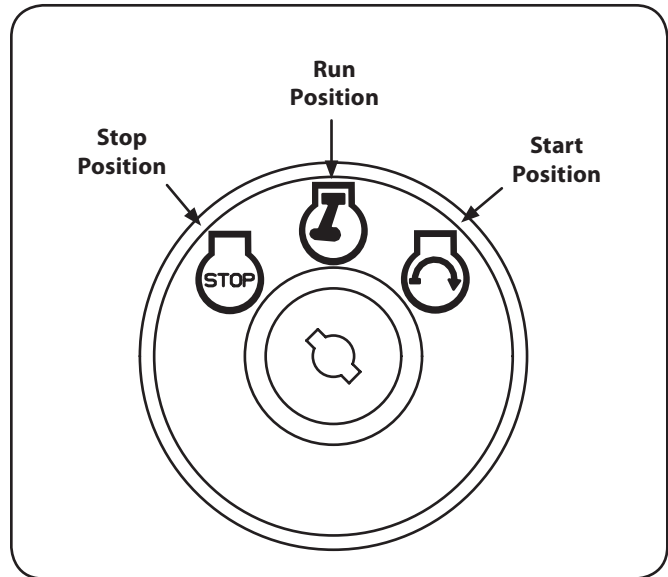


Figure 5-1

Stopping the Engine



WARNING! If you strike a foreign object, stop the engine and remove the ignition key (if so equipped). Thoroughly inspect the machine for any damage. Repair the damage before restarting and operating.

1. If the blades are engaged, release the Blade Control.
2. Turn the ignition key counterclockwise to the STOP position.
3. Remove the key from the ignition switch to prevent unintended starting.



WARNING: Shut off the engine before performing any maintenance. To prevent accidental start-up, disconnect the spark plug boot.

IMPORTANT: If engine must be tipped to transport equipment or to inspect or remove grass, keep spark plug side of engine up. Transporting or tipping engine spark plug down may cause smoking, hard starting, spark plug fouling, or oil saturation of air cleaner.

Periodic inspection and adjustment of the engine is essential if high level performance is to be maintained. Regular maintenance will also ensure a long service life. The required service intervals and the kind of maintenance to be performed are described in the table below. Follow the hourly or calendar intervals, whichever occur first. More frequent service is required when operating in adverse conditions.



WARNING: If the engine has been running, the muffler will be very hot. Be careful not to touch the muffler.

Maintenance Schedule

	After First 5 Hours	Each use or Every 5-10 Hrs.	Every Season or 25 Hours	Every season or 50 Hours	Every season or 100 Hours	Service Dates
Check Engine Oil Level		✓				
Change Engine Oil ††	✓			✓		
Change Engine Oil Filter ††				✓		
Check Air Cleaner		✓				
Service Air Cleaner †					✓	
Check Spark Plug			✓			
Replace Spark Plug					✓	
Clean Cooling Fins			✓			
Replace Fuel Filter					✓	
Clean Finger Guard and around Muffler		✓				

† Service more frequently when used in dusty areas.

†† Every season or 25 hours if operating under heavy load or high ambient temperature.

Oil Service

- Check oil level regularly.
- Be sure correct oil level is maintained. Check every five to ten hours before starting engine. See oil checking procedure in the Set-Up section.

Oil Drain

IMPORTANT: Be sure to check engine on a level surface with the engine stopped. Drain the oil while the engine is still warm to assure rapid and complete draining.

1. Remove all fuel from tank by running engine until it stops from lack of fuel.
2. Remove drain plug and allow oil to drain into a suitable container. See Figure 6-1.

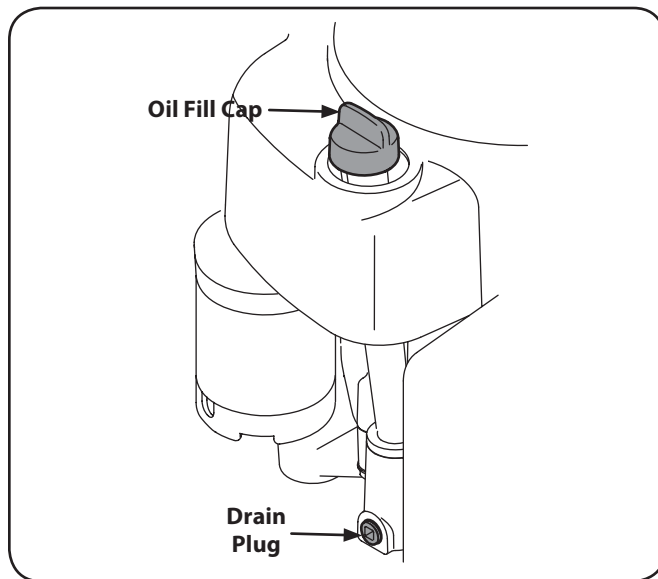


Figure 6-1



WARNING: Before tipping engine or equipment to drain oil, drain fuel from tank by running engine until fuel tank is empty.

3. Reinstall the drain plug and tighten it securely, 12-14 Nm (106.2-123.9 in-lb).

IMPORTANT: Used motor oil may cause skin cancer if repeatedly left in contact with the skin for prolonged periods. Although this is unlikely unless you handle used oil on a daily basis, it is still advisable to thoroughly wash your hands with soap and water as soon as possible after handling used oil.

NOTE: Please dispose of used motor oil in a manner that is compatible with the environment. We suggest you take it in a sealed container to your local service station for reclamation. Do not throw it in the trash or pour it on the ground.

Replace Oil Filter

This engine is equipped with a spin-on oil filter that should be replaced each time an oil change is performed, every season or 50 hours. Refer to Figure 6-2.

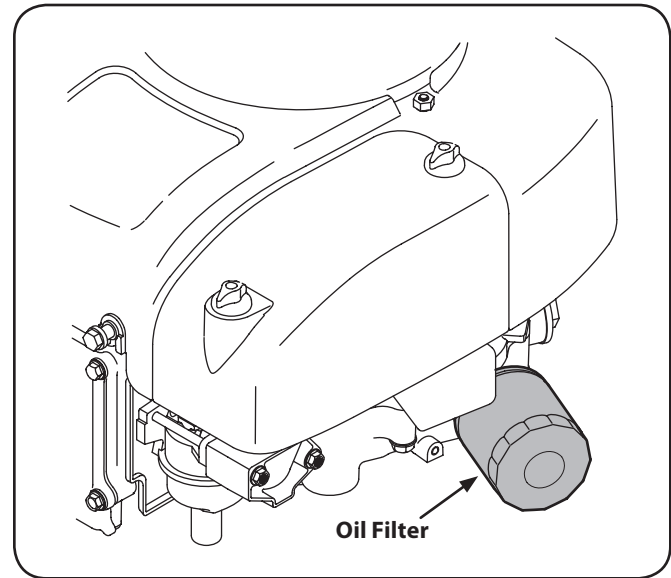


Figure 6-2

1. Drain oil. See oil drain section.
2. Remove oil filter. Dispose of old oil filter properly.
3. Lube gasket of new oil filter with clean oil.
4. Install and turn oil filter by hand until the gasket comes in contact with the sealing surface of the crankcase cover, then tighten the oil filter, 10-12 Nm (88.5-106.2 in-lb), 1/2-3/4 turn.
5. Add oil. See add oil section.
6. Make sure dipstick is installed.
7. Start and run engine. Check for leaks.
8. Stop engine. Wait a few minutes and check the oil level. See checking oil level section.
9. Install and tighten dipstick.

Add Oil

IMPORTANT: Be sure to check engine on a level surface with the engine stopped.

1. Wipe around dipstick cap and tube with a clean cloth to remove any debris. See Figure 6-3.

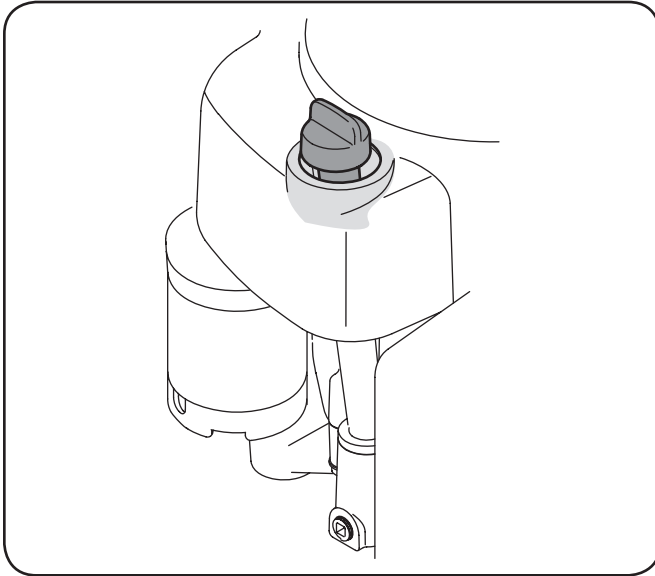


Figure 6-3

2. Remove dipstick and wipe clean with a cloth.
3. Pour oil into the dipstick tube. Do not over fill. With an oil filter change the high level amount of oil for this engine is 1700 ml (57.48 fl-oz.).
4. Install dipstick and turn to locked position before starting engine.
5. Start engine. Allow to run for a few seconds and then shut down the engine.
6. Check the oil level. See Checking Oil Level section.

Air Filter Service

Paper filters cannot be cleaned and should be replaced every 100 operating hours; more often if used in extremely dusty conditions.



WARNING: Never use gasoline or low flash point solvents for cleaning the air filter element. A fire or explosion could result.

IMPORTANT: Never run the engine without the air filter. Rapid engine wear will result.

1. Unscrew the thumb screws and remove the air filter cover. See Figure 6-4.

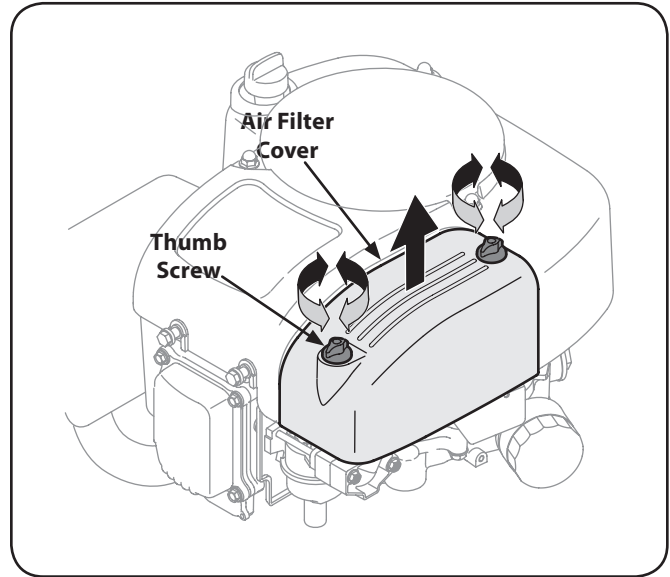


Figure 6-4

2. Remove the air filter. See Figure 6-5.

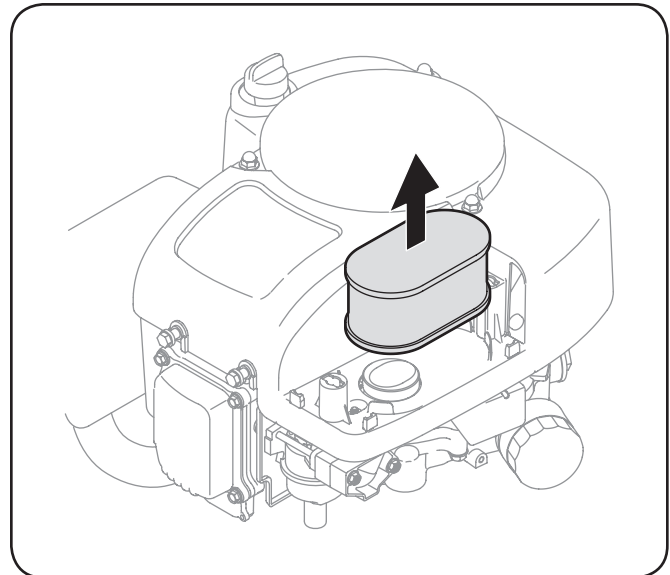


Figure 6-5

- Remove the foam pre-filter from around the paper air filter. See Figure 6-6. Replace paper element when dirty or damaged. Clean foam element or replace when damaged.

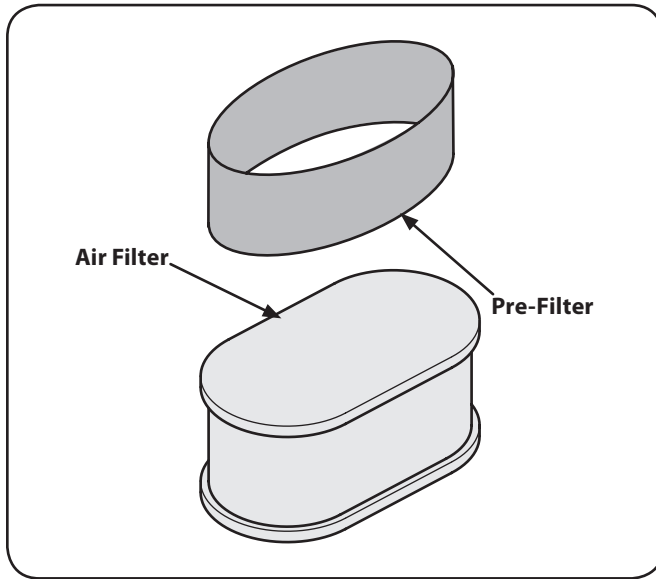


Figure 6-6

- To clean foam element, wash in a mild liquid detergent and water. Squeeze or press the foam element to rinse out dirt and water. Do not twist; this could damage or tear the foam element. Allow to dry thoroughly before using. DO NOT oil the foam element.
- Attach the new air filter with foam element, aligning the hole in the air filter with the intake manifold. See Figure 6-7.

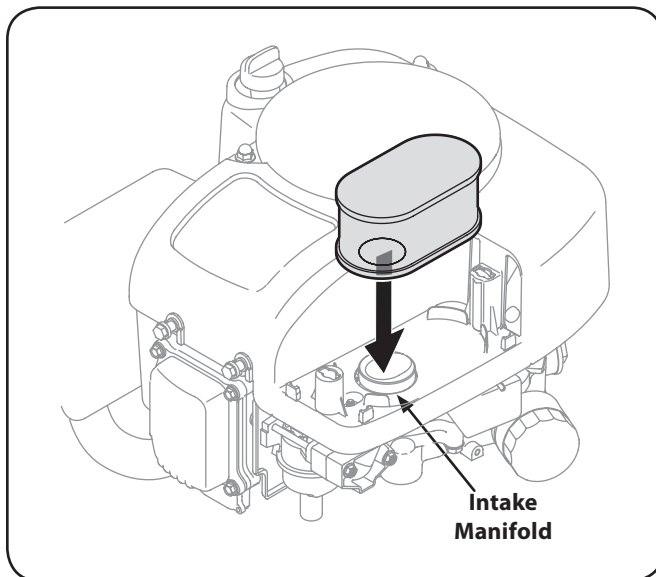


Figure 6-7

- Attach the air filter cover, making sure to align thumb screws and plastic rib features on the shroud to the plastic features on the air filter cover. See Figure 6-8. Turn thumb screws clockwise until snug. Check for any misalignment.

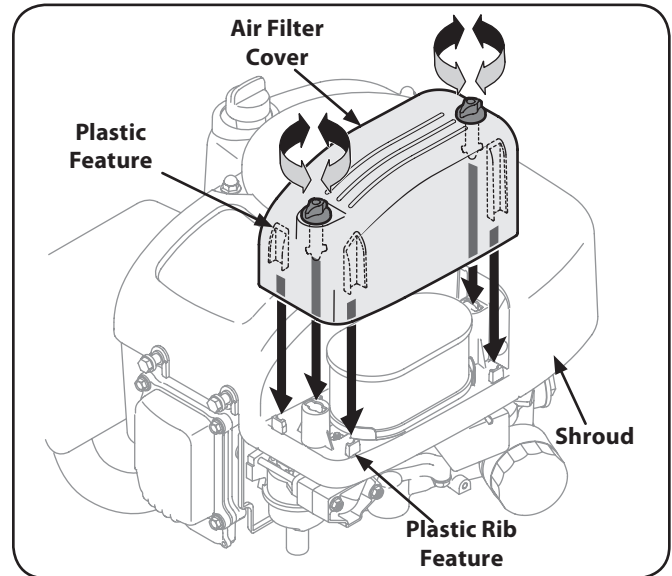


Figure 6-8

Spark Plug Service



WARNING: DO NOT check for spark with spark plug removed. DO NOT crank engine with spark plug removed.

To ensure proper engine operation, the spark plug must be properly gapped and free of deposits.

- Remove the spark plug boot and use a spark plug wrench to remove the plug. See Figure 6-9.

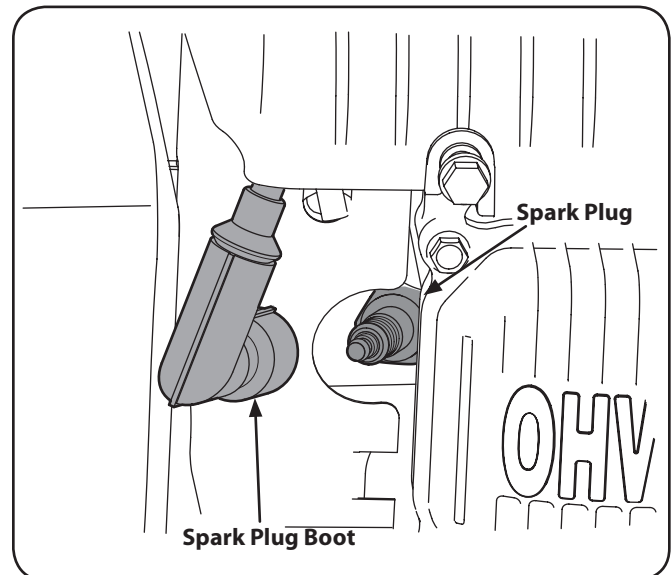


Figure 6-9



WARNING: If the engine has been running, the muffler will be very hot. Be careful not to touch the muffler.

2. Visually inspect the spark plug. Discard the spark plug if there is apparent wear, or if the insulator is cracked or chipped. Clean the spark plug with a wire brush if it is to be reused.
3. Measure the plug gap with a feeler gauge. Correct as necessary by bending side electrode. See Figure 6-10. The gap should be set to 0.024-0.031 in.

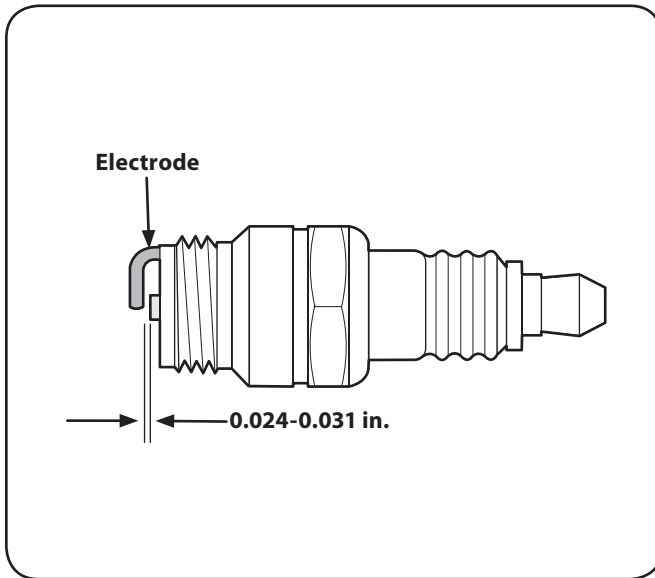


Figure 6-10

4. Check that the spark plug washer is in good condition and thread the spark plug in by hand to prevent cross-threading.
5. After the spark plug is seated, tighten with a spark plug wrench to compress the washer.

NOTE: When installing a new spark plug, tighten 1/2 turn after the spark plug seats to compress the washer. When reinstalling a used spark plug, tighten 1/8-1/4 turn after the spark plug seats to compress the washer.

IMPORTANT: The spark plug must be securely tightened. An improperly tightened spark plug can become very hot and may damage the engine.

Fuel Filter Service

The fuel filter cannot be cleaned and should be replaced every 100 operating hours; more often if run with old gasoline.

1. Remove all fuel from tank by running engine until it stops from lack of fuel.
2. Use pliers to squeeze tabs on the clamps, then slide the clamps away from the fuel filter. See Figure 6-11.

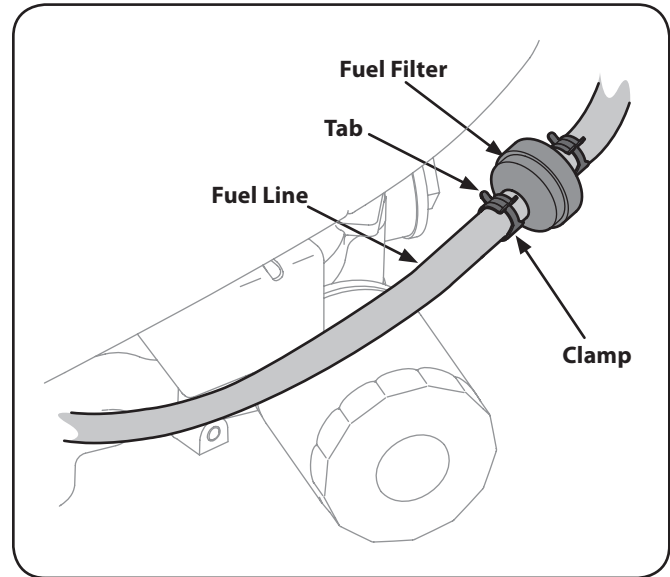


Figure 6-11

3. Twist and pull the fuel lines off of the fuel filter.
4. Replace with a new fuel filter.
5. Secure the fuel lines with the clamps.

Clean Engine

If the engine has been running, allow it to cool for at least half an hour before cleaning. Periodically remove dirt build-up from engine. Clean cooling fins every 25 hours. Clean with a brush or compressed air.

IMPORTANT: Do not spray engine with water to clean because water could contaminate fuel. Using a garden hose or pressure washing equipment can also force water into the air cleaner or muffler opening. Water in the air cleaner will soak the paper element, and water that passes through the element or muffler can enter the cylinder, causing damage.



WARNING: Accumulation of debris around muffler could cause a fire. Inspect and clean before every use.

Storage



CAUTION: Failure to use a fuel stabilizing additive or completely run the engine until it's out of fuel before off-season storage may result in damage to your engine's carburetor. Subsequent damage would **not** be covered under the manufacturer's warranty.

Gasoline that will be stored longer than 30 days needs to be pre-treated upon purchase with fuel stabilizer to prevent gum and varnish from forming in the engine's fuel and intake system. Improper fuel storage can result in hard starting, no starting, stalling and poor performance. If the gasoline in your engine deteriorates during storage, you may need to have the carburetor, and other fuel system components, serviced or replaced.

1. Remove all fuel from tank by running engine until it stops from lack of fuel.



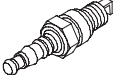
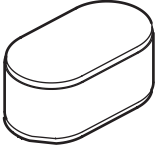

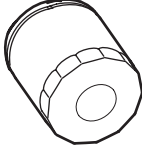
WARNING: Never leave engine unattended while running.

2. Change oil. See Oil Change section.
3. Remove spark plug and pour about 1/2 an ounce of engine oil into cylinder. Replace spark plug and crank slowly to distribute oil.
4. Clean debris from around engine, under finger guard, and under, around and behind muffler. Touch up any damaged paint, and coat other areas that may rust with a light film of oil.
5. Store in a clean, dry and well ventilated area away from any appliance that operates with a flame or pilot light, such as a furnace, water heater, or clothes dryer. Also avoid any area with a spark producing electric motor, or where power tools are operated.
6. If possible, also avoid storage areas with high humidity, because that promotes rust and corrosion.
7. Keep the engine level in storage. Tilting can cause fuel or oil leakage.

Removing From Storage

1. Check your engine as described in the Pre-Operation Check section of this manual.
2. If the fuel was drained during storage preparation, fill the tank with fresh gasoline. If you keep a container of gasoline for refueling, make certain it contains only fresh fuel. Gasoline oxidizes and deteriorates over time, causing hard starting.
3. If the cylinder was coated with oil during storage preparation, the engine will smoke briefly at startup. This is normal.

Problem	Cause	Remedy
Engine Fails to start	<ol style="list-style-type: none"> 1. Choke not activated. 2. Spark plug boot disconnected. 3. Fuel tank empty or stale fuel. 4. Faulty spark plug. 5. Reduced fuel flow/Blocked fuel filter. 6. Engine flooded. 7. Dead battery. 8. Blown fuse. 	<ol style="list-style-type: none"> 1. Place throttle/choke control in CHOKE position. 2. Connect wire to spark boot. 3. Fill tank with clean, fresh gasoline. 4. Clean, adjust gap, or replace. 5. Replace fuel filter as instructed in the Maintenance section. 6. Crank engine with throttle in FAST position. 7. Recharge battery. See equipment operator's manual. 8. Replace blown fuse. See equipment operator's manual.
Engine runs erratic	<ol style="list-style-type: none"> 1. Spark plug boot loose. 2. Reduced fuel flow/Blocked fuel filter. 3. Vent in gas cap plugged. 4. Water or dirt in fuel system. 5. Dirty air cleaner. 6. Engine running with CHOKE activated. 	<ol style="list-style-type: none"> 1. Connect and tighten spark plug boot. 2. Replace fuel filter as instructed in the Maintenance section. 3. Clear vent. 4. Drain fuel tank. Refill with fresh fuel. 5. Replace air cleaner element and/or clean pre-cleaner. 6. Move throttle/choke control out of CHOKE position.
Engine overheats	<ol style="list-style-type: none"> 1. Engine oil level low. 2. Air flow restricted. 	<ol style="list-style-type: none"> 1. Fill crankcase with proper oil. 2. Clean grass clippings and debris from around the engine's cooling fins and blower housing.
Occasional skips (hesitates) at high speed	<ol style="list-style-type: none"> 1. Spark plug gap too close. 	<ol style="list-style-type: none"> 1. Remove spark plug and adjust gap.
Idles poorly	<ol style="list-style-type: none"> 1. Spark plug fouled, faulty, or gap too wide. 2. Dirty air cleaner. 	<ol style="list-style-type: none"> 1. Reset gap or replace spark plug. 2. Replace air cleaner element and/or clean pre-cleaner.

Component	Part Number and Description
	951-10292 Spark Plug
	951-12260 Air Filter Assembly (Includes Pre-Filter)
	951-3013 Fuel Filter
	951-12690 Oil Filter

Phone (800) 800-7310 or (330) 220-4683 to order replacement parts or a complete Parts Manual (have your full model number and serial number ready). Parts Manual downloads are also available free of charge at www.mtdproducts.com.

FEDERAL and/or CALIFORNIA EMISSION CONTROL WARRANTY STATEMENT
YOUR WARRANTY RIGHTS AND OBLIGATIONS

MTD Consumer Group Inc, the United States Environmental Protection Agency (EPA), and for those products certified for sale in the state of California, the California Air Resources Board (CARB) are pleased to explain the emission control system (ECS) warranty on your 2015-2016 small off-road spark-ignited engine and equipment (outdoor equipment). In California, new outdoor equipment must be designed, built and equipped to meet the State's stringent anti-smog standards (in other states, outdoor equipment must be designed, built, and equipped to meet the U.S. EPA small off-road spark ignition engine regulations). MTD Consumer Group Inc must warrant the ECS on your outdoor equipment for the period of time listed below, provided there has been no abuse, neglect, or improper maintenance of the outdoor equipment.

Your ECS may include parts such as the carburetor, fuel-injection system, ignition system, catalytic converter, fuel tanks, fuel lines, fuel caps, valves, canisters, filters, vapor hoses, clamps, connectors, and other associated emission-related components.

Where a warrantable condition exists, MTD Consumer Group Inc will repair your outdoor equipment at no cost to you including diagnosis, parts, and labor.

MANUFACTURER'S WARRANTY COVERAGE:

This emission control system is warranted for two years. If any emission-related part on your outdoor equipment is defective, the part will be repaired or replaced by MTD Consumer Group Inc.

OWNER'S WARRANTY RESPONSIBILITIES:

As the outdoor equipment owner, you are responsible for performance of the required maintenance listed in your owner's manual. MTD Consumer Group Inc recommends that you retain all receipts covering maintenance on your outdoor equipment, but MTD Consumer Group Inc cannot deny warranty solely for the lack of receipts.

As the outdoor equipment owner, you should however be aware that MTD Consumer Group Inc may deny you warranty coverage if your outdoor equipment or a part has failed due to abuse, neglect, improper maintenance, or unapproved modifications.

You are responsible for presenting your outdoor equipment to MTD Consumer Group Inc's distribution center or service center as soon as the problem exists. The warranty repairs should be completed in a reasonable amount of time, not to exceed 30 days. If you have a question regarding your warranty coverage, you should contact the MTD Consumer Group Inc Service Department at 1-800-800-7310 or at <http://support.mtdproducts.com>.

GENERAL EMISSIONS WARRANTY COVERAGE:

MTD Consumer Group Inc warrants to the ultimate purchaser and each subsequent purchaser that the outdoor equipment is: (1) designed, built, and equipped so as to conform with all applicable regulations; and (2) free from defects in materials and workmanship that cause the failure of a warranted part for a period of two years.

The warranty period begins on the date the outdoor equipment is delivered to an ultimate purchaser or first placed into service.

Subject to certain conditions and exclusions as stated below, the warranty on emission-related parts is as follows:

1. Any warranted part that is not scheduled for replacement as required maintenance in the written instructions supplied is warranted for the warranty period stated above. If the part fails during the period of warranty coverage, the part will be repaired or replaced by MTD Consumer Group Inc according to subsection (4) below. Any such part repaired or replaced under warranty will be warranted for the remainder of the period.
 2. Any warranted part that is scheduled only for regular inspection in the written instructions supplied is warranted for the warranty period stated above. Any such part repaired or replaced under warranty will be warranted for the remaining warranty period.
 3. Any warranted part that is scheduled for replacement as required maintenance in the written instructions supplied is warranted for the period of time before the first scheduled replacement date for that part. If the part fails before the first scheduled replacement, the part will be repaired or replaced by MTD Consumer Group Inc according to subsection (4) below. Any such part repaired or replaced under warranty will be warranted for the remainder of the period prior to the first scheduled replacement point for the part.
 4. Repair or replacement of any warranted part under the warranty provisions herein must be performed at a warranty station at no charge to the owner.
 5. Notwithstanding the provisions herein, warranty services or repairs will be provided at all of our distribution centers that are franchised to service the subject engines or equipment.
 6. The outdoor equipment owner will not be charged for diagnostic labor that is directly associated with diagnosis of a defective, emission-related warranted part, provided that such diagnostic work is performed at a warranty station.
 7. MTD Consumer Group Inc is liable for damages to other engine or equipment components proximately caused by a failure under warranty of any warranted part.
 8. Throughout the off-road engine and equipment warranty period stated above, MTD Consumer Group Inc will maintain a supply of warranted parts sufficient to meet the expected demand for such parts.
 9. Any replacement part may be used in the performance of any warranty maintenance or repairs and must be provided without charge to the owner. Such use will not reduce the warranty obligations of MTD Consumer Group Inc.
-

-
10. Add-on or modified parts that are not exempted by the Air Resources Board may not be used. The use of any non-exempted add-on or modified parts by the ultimate purchaser will be grounds for disallowing a warranty claim. MTD Consumer Group Inc will not be liable to warrant failures of warranted parts caused by the use of a non-exempted add-on or modified part.

WARRANTED PARTS:

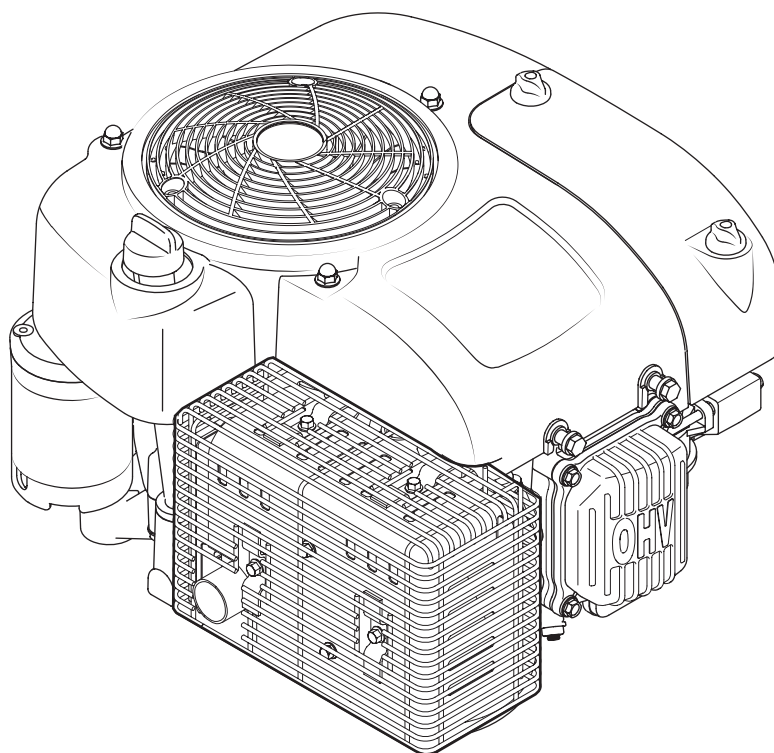
The repair or replacement of any warranted part otherwise eligible for warranty coverage may be excluded from such warranty coverage if MTD Consumer Group Inc demonstrates that the outdoor equipment has been abused, neglected, or improperly maintained, and that such abuse, neglect, or improper maintenance was the direct cause of the need for repair or replacement of the part. That notwithstanding, any adjustment of a component that has a factory installed, and properly operating, adjustment limiting device is still eligible for warranty coverage. Further, the coverage under this warranty extends only to parts that were present on the off-road equipment purchased.

The following emission warranty parts are covered (if applicable):

1. Fuel Metering System
 - Cold start enrichment system (soft choke)
 - Carburetor and internal parts (or fuel injection system)
 - Fuel pump
 - Fuel tank
2. Air Induction System
 - Air cleaner
 - Intake manifold
3. Ignition System
 - Spark plug(s)
 - Magneto ignition system
4. Exhaust System
 - Catalytic converter
 - SAI (Reed valve)
5. Miscellaneous Items Used in Above System
 - Vacuum, temperature, position, time sensitive valves and switches
 - Connectors and assemblies
6. Evaporative Control
 - Fuel hose
 - Fuel hose clamps
 - Tethered fuel cap
 - Carbon canister
 - Vapor lines

Medidas importantes de seguridad • Configuración • Funcionamiento • Mantenimiento
• Solución de problemas • Garantía

MANUAL DEL OPERADOR



Motor de 420 cc con eje vertical y válvulas en cabeza

⚠ ADVERTENCIA

**LEA Y RESPETE TODAS LAS NORMAS DE SEGURIDAD E INSTRUCCIONES INCLUIDAS EN ESTE MANUAL ANTES DE PONER EN FUNCIONAMIENTO ESTA MOTOR.
SI NO RESPETA ESTAS INSTRUCCIONES PUEDE PROVOCAR LESIONES PERSONALES.**

MTD LLC. APARTADO POSTAL 361131 CLEVELAND, OHIO 44136-0019

Impreso en Estados Unidos de América

Gracias

Este Manual del Operador es una parte importante de su nuevo motor. Le ayudará a preparar y mantener la unidad para obtener los mejores resultados. Antes de operar el motor lea cuidadosamente y comprenda todo el manual.

Índice

<i>Medidas importantes de seguridad</i>	3	<i>Mantenimiento y Ajustes</i>	10
<i>Configuración</i>	6	<i>Solución de problemas</i>	16
<i>Controles y Características</i>	8	<i>Piezas de Reemplazo</i>	17 (Manual inglés)
<i>Funcionamiento</i>	9		

Registro de información de producto

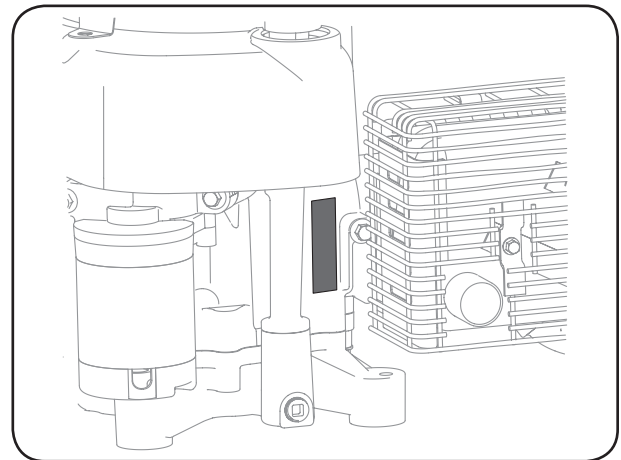
Antes de operar su motor nuevo, por favor localice su placa de modelo en el motor (Área sombreada en la figura a continuación) y registre la información en el área situada a continuación. Si tiene que solicitar soporte técnico a través de nuestro sitio web o de un distribuidor de servicio local, necesitará esta información.

NÚMERO DE MODELO

--	--	--	--	--	--	--	--

NÚMERO DE SERIE

--	--	--	--	--	--	--	--	--	--	--	--	--



Asistencia al Cliente

Por favor, NO devuelva la unidad al minorista o distribuidor sin ponerse en contacto primero con el Departamento de Asistencia al Cliente.

En caso de tener problemas para montar este producto o de tener dudas con respecto a los controles, funcionamiento o mantenimiento del mismo, puede solicitar la ayuda de expertos. Elija entre las opciones que se presentan a continuación:

- ◇ Visite nuestro sitio web en www.mtdproducts.com
- ◇ Llame a un representante de Asistencia al Cliente al (800) 800-7310 ó (330) 220-4683
- ◇ Escribanos a MTD LLC • P.O. Box 361131 • Cleveland, OH • 44136-0019

Medidas importantes de seguridad

2



¡ADVERTENCIA! La presencia de este símbolo indica que se trata de instrucciones de seguridad importantes que debe respetar para evitar poner en riesgo su seguridad personal y/o material y la de los demás. Lea y siga todas las instrucciones de este manual antes de poner en funcionamiento este equipo. Si no respeta estas instrucciones puede provocar lesiones personales. Cuando vea este símbolo. **TENGA EN CUENTA LA ADVERTENCIA.**

PROPOSICIÓN 65 DE CALIFORNIA



¡ADVERTENCIA! El escape del motor de este producto, algunos de sus componentes y algunos componentes del vehículo contienen o liberan sustancias químicas que el estado de California considera que pueden producir cáncer, defectos de nacimiento u otros problemas reproductivos.



¡PELIGRO! Esta máquina está diseñada para ser utilizada respetando las normas de seguridad contenidas en este manual. Al igual que con cualquier tipo de equipo motorizado, un descuido o error por parte del operador puede producir lesiones graves. Esta máquina es capaz de amputar dedos, manos y pies y de arrojar objetos extraños con gran fuerza. De no respetar las instrucciones de seguridad siguientes se pueden producir lesiones graves o la muerte.

Capacitación

1. Lea, entienda y cumpla todas las instrucciones incluidas en el motor y en los manuales antes de montarlo y utilizarlo. Guarde este manual en un lugar seguro para consultas futuras y periódicas, así como para solicitar repuestos.
2. Familiarícese con todos los controles y con el uso adecuado de los mismos. Sepa cómo detener el motor y desactivar los controles rápidamente.
3. No permita nunca que los niños menores de 14 años utilicen este motor. Los niños de 14 años en adelante deben leer y entender las instrucciones de operación y normas de seguridad contenidas en este manual y en el motor y deben ser entrenados y supervisados por un adulto.
4. Nunca permita que los adultos operen la máquina sin recibir antes la instrucción apropiada.
5. Mantenga el área de operación despejada de personas, particularmente de niños pequeños y mascotas. Detenga la máquina si alguien se acerca.

Preparativos

1. Inspeccione minuciosamente el área donde utilizará el equipo. Quite las piedras, palos, alambres y otros objetos extraños con los que se pueda tropezar y provocar lesiones personales.
2. Utilice zapatos de trabajo resistentes, de suela fuerte, así como pantalones y camisas ajustados. Las prendas sueltas y las alhajas se pueden enganchar en las piezas móviles. Nunca opere la máquina descalzo o con sandalias.
3. Antes de arrancar el motor, desenganche las palancas del embrague y desplácelas (en caso de haber) a la posición neutral ("N").
4. Nunca deje el motor en marcha sin vigilancia.

5. Nunca intente realizar ajustes mientras el motor está en marcha, excepto en los casos específicamente recomendados en el manual del operador.

Manejo seguro de la gasolina:

Para evitar lesiones personales o daños materiales sea sumamente cuidadoso al manipular la gasolina. La gasolina es sumamente inflamable y sus vapores pueden causar explosiones. Si se derrama gasolina encima o sobre la ropa se puede lesionar gravemente ya que se puede incendiar. Lávese la piel y cámbiese de ropa de inmediato.

1. Cuando agregue combustible, APAGUE el motor y déjelo enfriar por lo menos 2 minutos antes de sacar la tapa del combustible.
2. Llene el tanque de combustible al aire libre o en un área bien ventilada.
3. Utilice sólo los recipientes para gasolina autorizados.
4. Nunca llene los recipientes en el interior de un vehículo o camión o caja de remolque con recubrimiento plástico. Coloque siempre los recipientes en el piso y lejos del vehículo antes de llenarlos.
5. Si es posible, retire el equipo a gasolina del camión o remolque y llénelo en el suelo. Si esto no es posible, llene el equipo en un remolque con un contenedor portátil, en vez de con una boquilla dispensadora de gasolina.
6. Mantenga la boquilla de llenado en contacto con el borde del depósito de combustible o con la abertura del recipiente en todo momento, hasta terminar la carga. No utilice un dispositivo para abrir/cerrar la boquilla.

7. No llene demasiado el tanque de combustible. Llene el tanque completo indicado por el indicador de nivel de combustible instalado en el interior del depósito de combustible. No más de relleno para dejar espacio para la expansión del combustible. En algunos modelos, un indicador de nivel de combustible no puede estar presente, en este caso, llenar el tanque sin pulgada más de 1 / 2 por debajo de la parte inferior de la boca de llenado para dejar espacio para la expansión del combustible.
8. Reemplace la tapa de combustible y apriete hasta que la tapa de trinquetes.
9. Limpie el combustible que se haya derramado sobre el motor y el equipo. Traslade la máquina a otra zona. Espere cinco minutos antes de encender el motor.
10. Para reducir el riesgo de incendio mantenga la máquina limpia de pasto, hojas y de la acumulación de otros desechos. Limpie los derrames de aceite o combustible y saque todos los residuos embebidos de combustible.
11. Mantenga la gasolina alejada de chispas, llamas expuestas, llamas piloto, calor, y otras fuentes de ignición.
12. Nunca cargue combustible en el equipo en interiores porque se acumulan vapores inflamables en el área.
13. Apague todos los cigarrillos, cigarros, pipas y otras fuentes de ignición.
14. Verifique frecuentemente la línea de combustible, el depósito, el tapón, y los accesorios buscando rajaduras o pérdidas. Reemplácelos de ser necesario.

Funcionamiento

1. Al arrancar el motor, asegúrese de que la bujía, el silenciador y la tapa del combustible están en su lugar.
2. No dé arranque al motor si no está la bujía de encendido.
3. Si se derrama combustible, espere hasta que se evapore antes de encender el motor.
4. Permita que el silenciador, el cilindro del motor, y las aletas se enfríen antes de tocarlos.
5. Mantenga a los niños alejados de los motores en marcha o calientes. Pueden sufrir quemaduras por el contacto con un silenciador caliente.
6. Extraiga el combustible acumulado en el silenciador y el cilindro.
7. Haga funcionar el equipo con todos los protectores colocados.
8. Mantenga las manos y los pies alejados de las piezas giratorias.
9. Átese el cabello si lo lleva largo y no use alhajas.
10. No use ropa demasiado holgada, con cordones colgantes o partes que se puedan enganchar.
11. Para encender el motor, jale de la cuerda lentamente hasta que sienta resistencia, luego jale rápidamente (Si no es de arranque eléctrico).
12. Antes de arrancar el motor, retire todos los equipos externos/cargas del motor.
13. Los componentes del equipo acoplados directamente, tales como por ejemplo, cuchillas, rotores, poleas, ruedas dentadas, etc, deben estar firmemente conectados.

Mantenimiento y Almacenamiento

1. Mantenga el motor en condiciones seguras de funcionamiento.
2. Deje que motor se enfríe por lo menos cinco minutos antes de guardarla. Nunca altere los dispositivos de seguridad. Controle periódicamente que funcionen correctamente.
3. Controle frecuentemente que todos los pernos y tornillos estén bien ajustados para mantener el motor en condiciones seguras de funcionamiento. Inspeccione visualmente el motor para determinar si está dañado.
4. Antes de limpiar, reparar o revisar el motor, deténgalo y asegúrese que todas las partes móviles se hayan detenido. Desconecte el cable de la bujía y póngalo haciendo masa contra el motor para evitar que se encienda accidentalmente.
5. No cambie la configuración del regulador del motor ni lo opere a sobrevelocidad. El regulador del motor controla la velocidad máxima segura de funcionamiento del motor.
6. Mantenga y reemplace las etiquetas de seguridad e instrucciones según sea necesario.
7. Consulte siempre el manual del operador para conocer la información importante relativa al almacenamiento de la máquina durante un plazo prolongado.
8. Si debe vaciar el tanque de combustible, hágalo al aire libre.
9. Respete las normas referentes a la disposición correcta y las reglamentaciones sobre gasolina, aceite, etc. para proteger el medio ambiente.

Aviso referido a emisiones

Los motores que están certificados y cumplen con las regulaciones de emisiones federales EPA y de California para SORE (Equipos pequeños todo terreno) están certificados para operar con gasolina común sin plomo y pueden incluir los siguientes sistemas de control de emisiones: Modificación de motor (EM) y catalizador de tres vías (TWC) si están equipados de esa manera.

Amortiguador de chispas








¡ADVERTENCIA! Esta máquina está equipada con un motor de combustión interna y no debe ser utilizada en un terreno agreste cubierto por bosque, malezas o hierba ni en las proximidades del mismo, excepto si el sistema de escape del motor está equipado con un amortiguador de chispas que cumpla con las leyes locales o estatales correspondientes, en caso de haberlas.

Si se utiliza un amortiguador de chispas el operador lo debe mantener en condiciones de uso adecuadas. En el Estado de California las medidas anteriormente mencionadas son exigidas por ley (Artículo 4442 del Código de Recursos Públicos de California). Es posible que existan leyes similares en otros estados. Las leyes federales se aplican en territorios federales. Puede conseguir el amortiguador de chispas para el silenciador a través de su distribuidor de mantenimiento de motores autorizado más cercano o poniéndose en contacto con el departamento de servicios, Apartado Postal 361131 Cleveland, Ohio 44136-0019.

Símbolos De Seguridad

Esta página representa y describe la seguridad los símbolos que pueden parecer en este producto. Lea, comprenda, y siga todas instrucciones en la máquina antes procurar para reunir y operar.

Símbolo	Descripción
	<p>LEA EL MANUAL(S) DEL OPERADOR</p> <p>Lea, comprenda, y siga todas instrucciones en el manual (manuales) antes procurar para reunir y operar.</p>
	<p>ADVERTENCIA— GASOLINA ES INFLAMABLE</p> <p>Allow the engine to cool at least two minutes before refueling.</p>
	<p>ADVERTENCIA— MONOXIDO DE CARBONO</p> <p>Nunca corra un motor dentro ni en un área mal ventilada. El escape del motor contiene monóxido de carbono, un gas inodoro y mortal.</p>
	<p>ADVERTENCIA — ELECTROCHOQUE</p> <p>No use el juez de salida eléctrico del motor en la lluvia.</p>
	<p>ADVERTENCIA — SUPERFICIE CALIENTE</p> <p>Las partes del motor, especialmente el silenciador, llega a ser muy caliente durante la operación. Permita motor y silenciador para ponerse frío antes de tocar.</p>



¡ADVERTENCIA! Su responsabilidad: Restrinja el uso de esta máquina motorizada a las personas que lean, comprendan y respeten las advertencias e instrucciones que figuran en este manual y en la máquina.

GUARDE ESTAS INSTRUCCIONES

Gasolina y aceite

NOTA: El motor se envía sin gasolina y con aceite en el motor. Sin embargo, usted debe comprobar el nivel de aceite antes de operar. Tenga cuidado de no llenar en exceso. Hacer funcionar el motor sin suficiente aceite puede causarle graves daños y anula la garantía del motor.



¡ADVERTENCIA! Siempre mantenga las manos y los pies alejados de las piezas móviles del equipo. No utilice fluidos comprimidos para arrancar. Los vapores son inflamables.

Recomendaciones sobre el aceite

Antes de poner en marcha el motor, verificar el nivel de aceite, la capacidad es de 1700 ml/57.5 onzas. Refiera a la carta de la viscosidad en Figura 3-1 para las recomendaciones del aceite. No lo llene en exceso. Use un 4 tiempos, o un detergente marca equivalente, el aceite de la prima de motor de calidad certificada para cumplir o exceder los requisitos del fabricante EE.UU. automóvil para la clasificación de servicios de un nivel mínimo de SJ (grados más altos de la carta son aceptables como SL y grados SM). El aceite de motor se mostrará esta denominación en el envase.

Se recomienda SAE 10W-30 para uso general, a todas las temperaturas. Si utiliza aceite con viscosidad monogrado, seleccione en la tabla por de arriba de la viscosidad adecuada para la temperatura media de su zona.

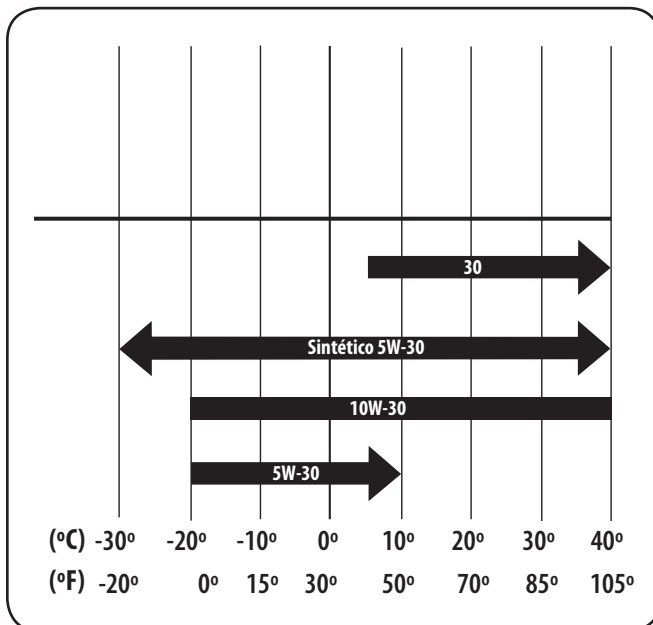


Figura 3-1

NOTA: No utilice aceites sin detergente ni aceite para motor de dos tiempos. Podría reducirse la vida útil del motor.

NOTA: Un aceite sintético 5W30 puede ser utilizado para mejorar la capacidad de inicio de clima frío (temperaturas por debajo de 40° F).

Verificación del nivel de aceite

NOTA: Asegúrese de comprobar el aceite sobre una superficie nivelada y con el motor apagado.

1. Retire el tapón de llenado de aceite/la varilla de medición y limpie la varilla de medición de aceite.
2. Inserte la varilla en el cuello de llenado de aceite. Gire la varilla de 1 / 4 vuelta en la posición de bloqueo en su totalidad asiento. Vea la Figura 3-2.

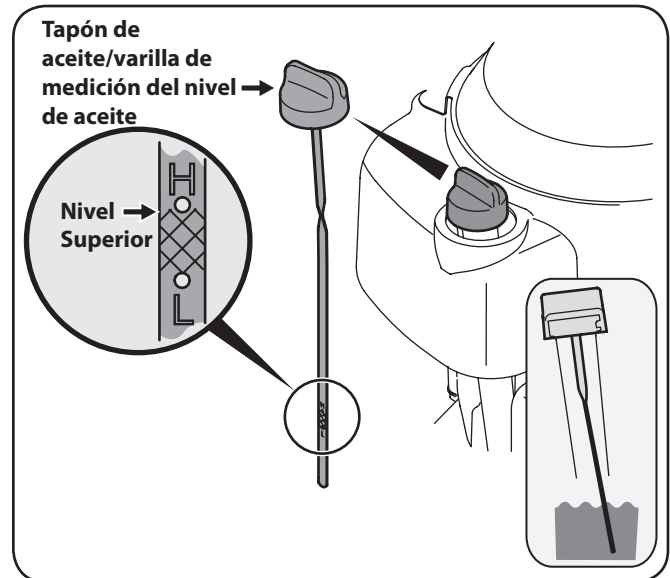


Figura 3-2

3. Saque la varilla para comprobar el nivel de aceite.
4. Si el nivel está bajo, agregue aceite lentamente hasta el límite superior de la varilla de medición. Vea el recuadro de la Figura 3-2.
5. Vuelva a insertar la tira reactiva en la posición de bloqueo antes de arrancar el motor.

NOTA: No lo llene en exceso. El exceso de aceite puede causar ahumado, problemas de arranque, suciedad en la bujía y saturación de aceite en el purificador de aire.

Requisitos sobre el combustible



PRECAUCIÓN: El funcionamiento del motor con el combustible E15 o E85, una mezcla de aceite con la gasolina, la gasolina sucia, o la gasolina de más de 30 días de edad que no ha sido aditivo estabilizador de combustible puede resultar en daños al carburador de su motor. Daños posteriores no estarían cubiertos por la garantía del fabricante.

Utilice gasolina para automóviles (sin plomo o bajo contenido de plomo para minimizar los depósitos en la cámara de combustión) con un mínimo de 87 octanos. Se puede usar gasolina con hasta un 10% de etanol (E10) o un 15% de MTBE (éter metílico terciario-butílico). Nunca use una mezcla de aceite y gasolina ni gasolina sucia. Evite que se introduzca suciedad, polvo o agua en el tanque de combustible. **NO utilice gasolina E15 o E85.**



¡ADVERTENCIA! La gasolina es sumamente inflamable y bajo determinadas condiciones es explosiva.

- Cargue combustible en un área bien ventilada y con el motor apagado. No fume ni permita llamas o chispas en el lugar donde se carga combustible o se encuentra el depósito de combustible del motor.
- No llene en exceso el tanque de combustible. Después de cargar combustible, asegúrese de que el tapón del tanque está bien cerrado y asegurado.
- Tenga cuidado de no derramar combustible al cargarlo. El combustible derramado o sus vapores se pueden incendiar. Si se derrama combustible, asegúrese de que el área está seca antes de arrancar el motor.
- Evite el contacto prolongado con la piel o la inhalación de los vapores.

Carga de combustible



ADVERTENCIA! Un adulto debe de combustible de este motor. NUNCA permita que los niños para abastecerse de combustible del motor tis. La gasolina (combustible) vapores son altamente inflamables y pueden explotar. Los vapores del combustible puede extenderse y ser encendida por una chispa o llama muchos metros de distancia del motor. Para evitar lesiones o la muerte por el incendio del combustible, siga estas instrucciones:

- NO use gasolina con plomo.
- El combustible debe ser fresco y limpio. NUNCA use el combustible sobrante de la temporada pasada o almacenados durante largos períodos.
- NUNCA mezcle el aceite con el combustible.
- NO utilice combustible que contenga metanol (alcohol de madera)

NOTA: Antes de cargar, deje que el motor se enfríe dos minutos.

1. Antes de sacar la tapa para cargar combustible, limpie alrededor.
2. Cargue el depósito hasta que el combustible llegue a ½ pulgada por debajo de la base del cuello de llenado para dejar espacio para la expansión del combustible. Tenga cuidado de no llenar en exceso.
3. Vuelva a colocar la tapa de la gasolina y ajústela bien. Limpie el combustible derramado antes de arrancar el motor. Si se derrama combustible NO arranque el motor. Mueva la máquina lejos del área de derrame. Evitar la creación de cualquier fuente de ignición hasta que los vapores se hayan ido.

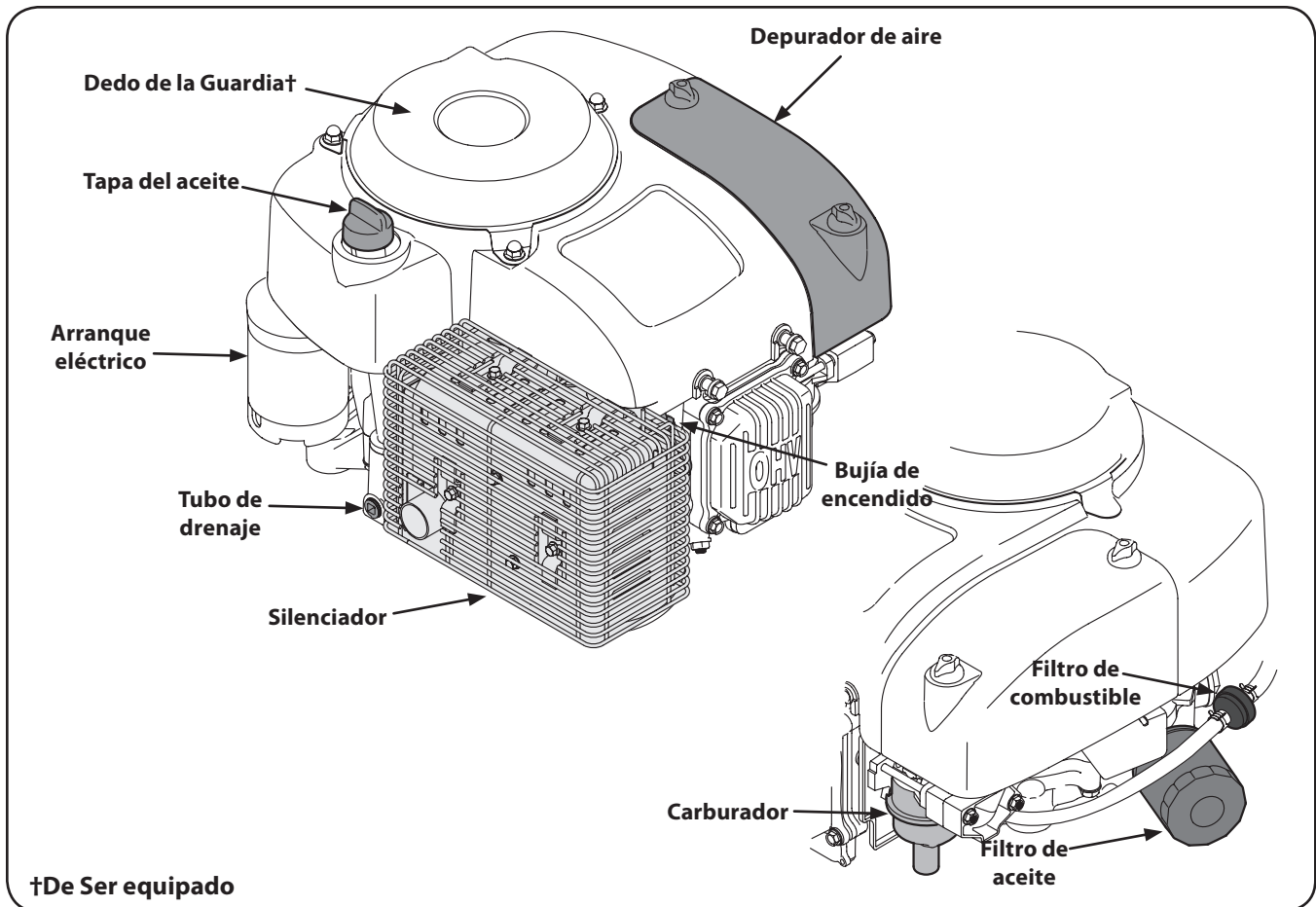


Figura 4-1

Control del acelerador y cebador

Control del acelerador / cebador se encuentra en la cortadora de césped y se utiliza para ayudar a arrancar / parar el motor y el ajuste de las velocidades del motor. Consulte la sección Controles y características de la cortadora manual para obtener más información acerca de este control.

Tubo de drenaje

Al sacar la tapa de drenado del aceite, éste se drena del motor. El motor está equipado con un drenaje lateral.

Tapa del aceite

Saque la tapa del aceite para verificar el nivel del mismo y agregar más.

Tapa de la gasolina

Saque la tapa de la gasolina para agregar combustible. Consulte la sección Controles y características del manual de la cortadora de césped para la ubicación de la tapa de la gasolina.

Control previo al funcionamiento

El motor se envía sin gasolina y con aceite en el motor. Consulte la Sección Configuración incluida en este manual para ver las instrucciones para la carga de gasolina y comprobación del aceite.

Encendido del motor

1. Suelte todos los controles de la cortadora.
2. Mueva la palanca de cambios a la posición neutral (N).
3. Si el motor está frío, mueva el control del regulador/cebador completamente hacia delante, a la posición CHOKE (cebador).

Nota: El uso de la estrangulación puede no ser necesario si el motor está caliente o la temperatura del aire es alta.

4. Inserte la llave en el interruptor de encendido.
5. Gire la llave de encendido en el sentido de las agujas del reloj hasta la posición START (encendido). Una vez que arranque el motor, suelte la llave. Volverá a la posición RUN (funcionamiento). Vea la Figura 5-1.



PRECAUCIÓN: NO mantenga la llave en la posición START (encendido) durante más de cinco segundos por vez. Si lo hace, puede ocasionar daños al arrancador eléctrico del motor.

6. Mueva el control del regulador/cebador a la posición Fast (velocidad rápida, representada por una liebre).

NOTA: Nunca deje el control del regulador/cebador en la posición CHOKE (cebador) mientras opera la cortadora. Si lo hace, se generará una mezcla "rica" de combustibles, lo cual hará que el motor pierda potencia.

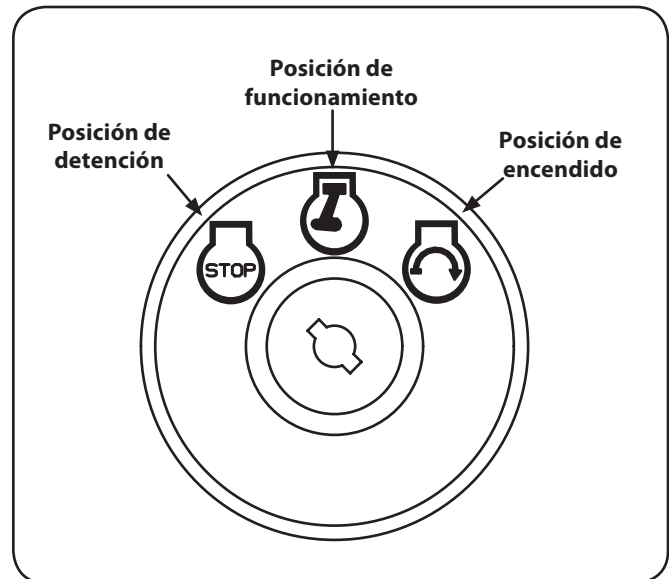


Figura 5-1

Detención del motor



¡ADVERTENCIA! Si golpea un objeto extraño, detenga el motor y saque la llave de encendido (si está equipado). Inspeccione minuciosamente la máquina para ver si está dañada. Repare el daño antes de volver a arrancar el motor y operar la máquina.

1. Si las cuchillas están enganchadas, suelte el control de las cuchillas.
2. Gire la llave de encendido en sentido contrario a las agujas del reloj a la posición STOP (parar).
3. Retire la llave del interruptor de encendido para evitar que el motor se encienda accidentalmente.



ADVERTENCIA: Apague el motor antes de realizar el mantenimiento. Para evitar una puesta en marcha accidental, desconecte la funda de la bujía.

IMPORTANTE: Si el motor debe inclinarse para transportar equipo o para inspeccionar o extraer pasto, mantenga el lado de la bujía del motor hacia arriba. Si la bujía del motor se transporta o se inclina hacia abajo puede causar humo, un arranque difícil, contaminación de la bujía o saturación con aceite del depurador de aire.

La inspección y los ajustes periódicos del motor son esenciales si se desea mantener un alto nivel de desempeño. El mantenimiento regular también garantizará una prolongada vida útil del motor. Los intervalos de mantenimiento requeridos y el tipo de mantenimiento a ser realizado se describen en la tabla de más abajo. Siga los intervalos por hora o calendarios, lo que ocurra primero. Cuando se opera en condiciones adversas es necesario llevar a cabo un mantenimiento más frecuente.



ADVERTENCIA: Si el motor ha estado funcionando, el silenciador estará muy caliente. Tenga cuidado de no tocar el silenciador.

Calendario de Mantenimiento

	Después de las primeras 5 horas	Cada uso o cada 5-10 Horas	Cada temporada o cada 25 horas	Cada temporada o cada 50 horas	Cada temporada o cada 100 horas	Fechas de Mantenimiento
Inspeccione el aceite del motor		✓				
Cambie el aceite del motor ††	✓			✓		
Cambie el filtro de aceite del motor ††				✓		
Inspeccione el depurador de aire		✓				
Mantenimiento del depurador de aire †					✓	
Inspecciones las bujías de encendido			✓			
Mantenimiento de bujía					✓	
Limpie aletas de refrigeración			✓			
Sustituya Filtro de Combustible					✓	
Limpie los dedos de la Guardia y cerca de silenciador		✓				

† Servicio con más frecuencia cuando se utiliza en zonas polvorrientas.

†† Cada temporada o 25 horas cuando se opere bajo carga pesada o alta temperatura ambiente.

Mantenimiento del aceite

- Inspeccione el nivel de aceite regularmente.
- Asegúrese de que se mantenga el nivel de aceite correcto. Inspeccione cada cinco a diez horas antes de poner en marcha el motor. Vea el procedimiento de verificación del nivel de aceite en la sección Configuración.

De drenaje de aceite

IMPORTANTE: Asegúrese de inspeccionar el motor sobre una superficie nivelada y con el motor apagado. Drene el aceite mientras el motor esté caliente para asegurar un drenaje rápido y completo.

1. Extraiga todo el combustible del depósito haciendo funcionar el motor hasta que se detenga por falta de combustible.
2. Retire el tapón de llenado de aceite y permitiendo que el aceite se drene en un recipiente adecuado. Vea la Figura 6-1.

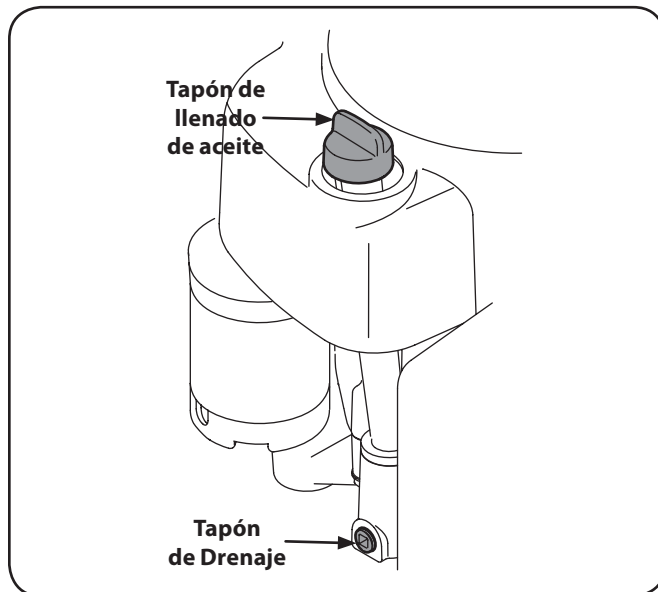


Figura 6-1



ADVERTENCIA: Antes de inclinar el motor o equipo para drenar el aceite, drene el combustible del depósito haciendo funcionar el motor hasta que el depósito de combustible esté vacío.

3. Vuelva a colocar el tapón de drenaje y apriételo firmemente, 12-14 Nm (106.2-123.9 in-lb).

IMPORTANTE: El aceite del motor usado puede causar cáncer de piel si entra en contacto con la piel de manera reiterada y por períodos prolongados. Si bien esto es improbable a menos que manipule aceite usado todos los días, sin embargo es recomendable lavarse bien las manos con jabón y agua inmediatamente después de haber manipulado aceite usado.

NOTA: Elimine el aceite del motor usado de la manera que sea compatible con el medio ambiente. Sugerimos que lo coloque en un recipiente sellado y lo lleve a la estación de servicio local para su recuperación. No lo tire a la basura o lo vierta sobre el suelo.

Reemplace el filtro de aceite

Este motor está equipado con un spin-en el filtro de aceite que debe cambiarse cada vez y cambio de aceite se realiza, cada temporada o de 50 horas. Refiérase a la Figura 6-2.

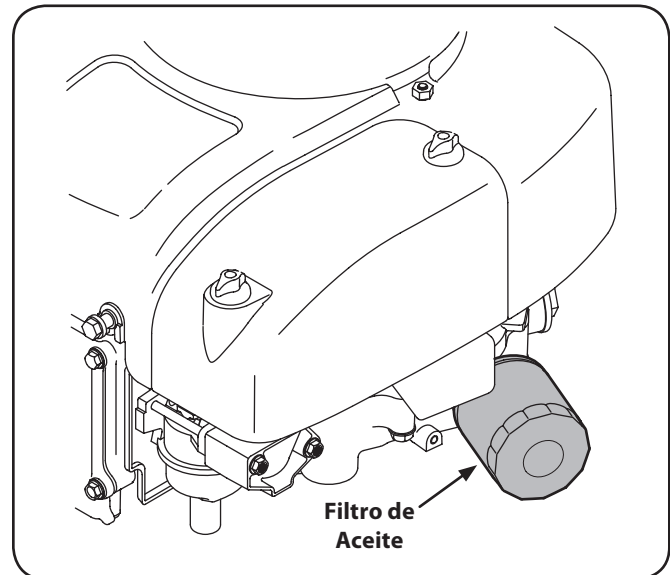


Figura 6-2

1. Drenaje de aceite. Vea la sección de drenaje de aceite.
2. Quite el filtro de aceite. Deseche el aceite viejo filtro correctamente.
3. Lube junta del filtro de aceite con aceite limpio.
4. Instalar y activar el filtro de aceite con la mano hasta que la junta se pone en contacto con la superficie de sellado de la tapa del cárter del motor, luego apriete el filtro de aceite, 10-12 Nm (88.5-106.2 in-lb), 1/2-3/4 activar .
5. Agregue el aceite. Ver sección de añadir aceite.
6. Haga varilla esté instalado.
7. Inicio y haga funcionar el motor. Revise si hay fugas.
8. Pare el motor. Espere unos minutos y compruebe el nivel de aceite. Ver sección de verificación de nivel de aceite.
9. Instale y apriete la varilla.

Añadir aceite

IMPORTANTE: Asegúrese de revisar el motor en una superficie plana con el motor parado.

1. Limpie alrededor del tapón de la varilla y el tubo con un paño limpio para eliminar los residuos. Véa la Figura 6-3.

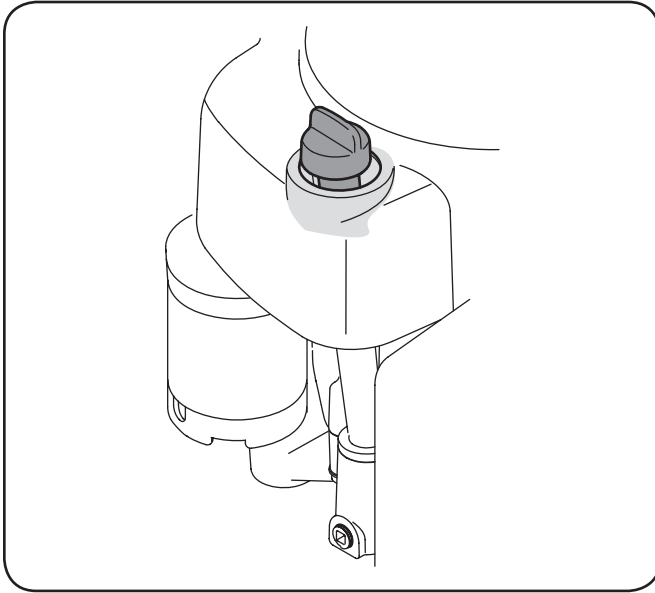


Figura 6-3

2. Retire la varilla y limpie con un paño.
3. Vierta el aceite en el tubo de la varilla. No llene en exceso. Con un cambio de filtro de la cantidad de aceite de alto nivel para este motor es de 1.700 ml (57.48 fl-oz.).
4. Instale la varilla y gire a la posición de bloqueo antes de arrancar el motor.
5. Arranque el motor. Deje que se ejecute durante unos segundos y luego apagar el motor.
6. Revise el nivel de aceite. Consulte Comprobación de la sección de nivel de aceite.

Mantenimiento del Depurador de Aire

Los filtros de papel no pueden ser limpiados y deben ser sustituidos cada 100 horas de operaciones; más a menudo de ser usado en condiciones muy polvorientas.



ADVERTENCIA: Nunca use gasolina o solventes de punto de encendido bajo para limpiar el elemento del depurador de aire. Podría producirse un incendio o explosión.

IMPORTANTE: Nunca opere el motor sin el depurador de aire instalado. Resultará en desgaste rápido del motor.

1. Retire los pernos de mariposa y la cubierta del depurador de aire. Vea la Figura 6-4.

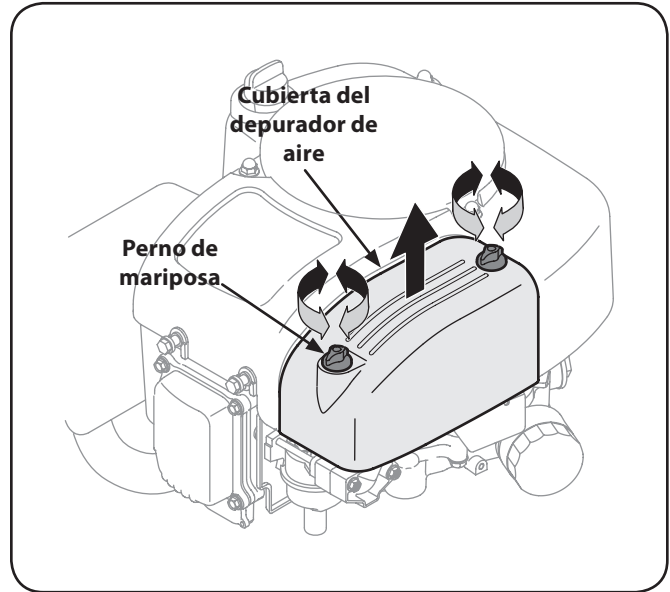


Figura 6-4

2. Retire del filtro de aire. Vea la Figura 6-5.

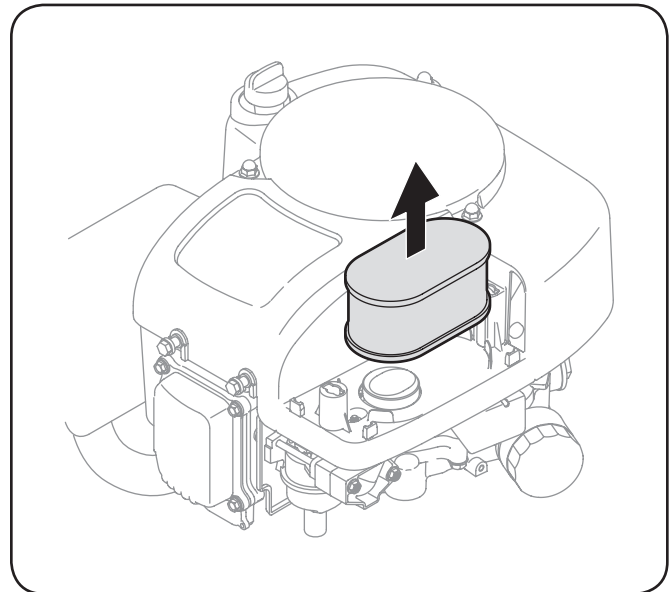


Figura 6-5

3. Quitar la espuma pre-filtro de aire de todo el papel de filtro. Vea la Figura 6-6. Sustituya el elemento de papel cuando sucio o dañado. Limpia el elemento de espuma o sustituya cuando dañado.

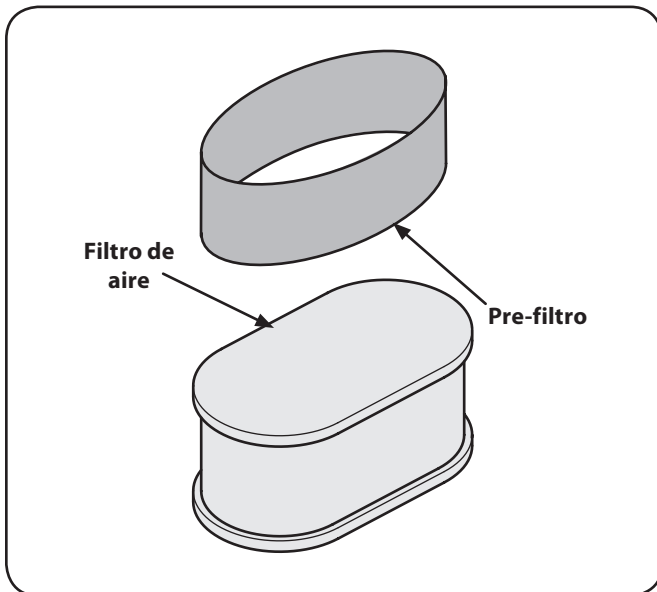


Figura 6-6

4. Para limpiar el elemento de espuma, lávese en detergente líquido y agua. Squeeze o presione el elemento de espuma para limpiar la suciedad y el agua. No retuerza, lo que podría dañar o romper el elemento de espuma. Permita secar a fondo antes de la utilización. No haga el petróleo el elemento de espuma.
5. Conecte el nuevo filtro de aire con elemento de espuma alineando el orificio en el filtro de aire con el colector de admisión. Vea la Figura 6-7.

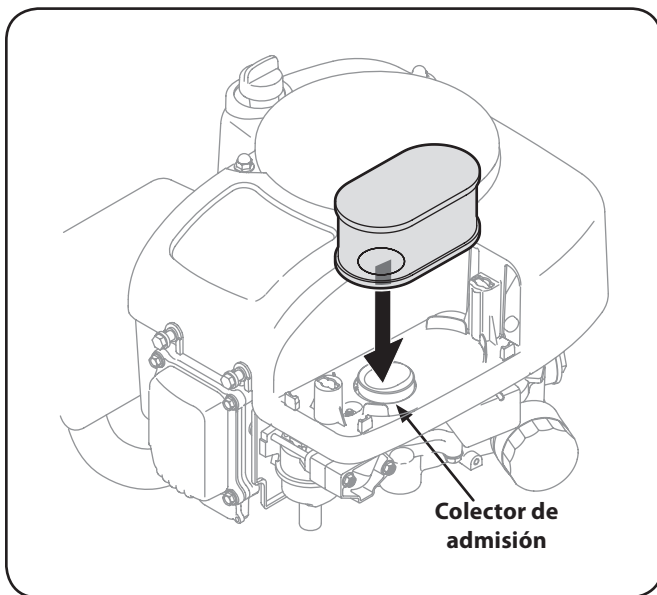


Figura 6-7

6. Coloque la tapa del filtro de aire y asegúrese de alinear tornillos de mariposa y las características de plástico costilla en la cubierta de las características de plástico en la tapa del filtro de aire. Vea la Figura 6-8. Gire tornillos en sentido horario hasta que quede ajustado. Revise si hay desalineación.

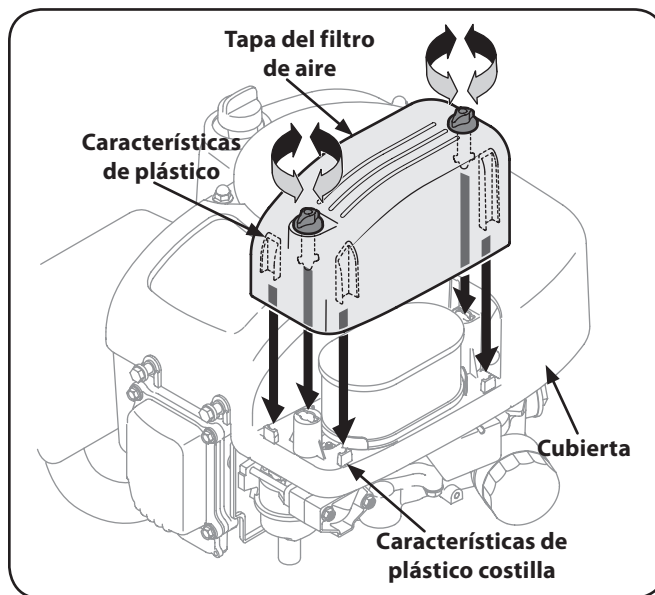


Figura 6-8

Mantenimiento de Bujía



ADVERTENCIA: NO pruebe la chispa si no está la bujía de encendido. NO de arranque al motor si no está la bujía de encendido.

Para asegurarse de que el motor funcione bien, la bujía debe tener una separación correcta y debe estar libre de depósitos.

1. Retire la funda de bujía y utilice una llave para bujías para extraer la bujía. Vea la Figura 6-9.

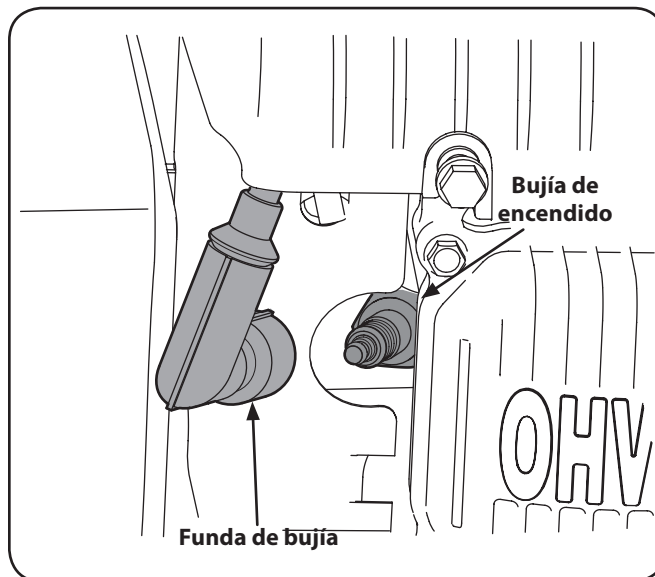


Figura 6-9



ADVERTENCIA: Si el motor ha estado funcionando, el silenciador estará muy caliente. Tenga cuidado de no tocar el silenciador.

2. Inspeccione visualmente la bujía. Elimine la bujía si presenta mucho desgaste, o si el aislante está agrietado o astillado. Limpie la bujía con un cepillo de alambre si se va a reutilizar.
3. Mida la separación de bujía con un calibrador. Corrija de ser necesario torciendo el electrodo lateral. Vea la Figura 6-10. La separación debe establecerse en 0,024-0,031 pulg.

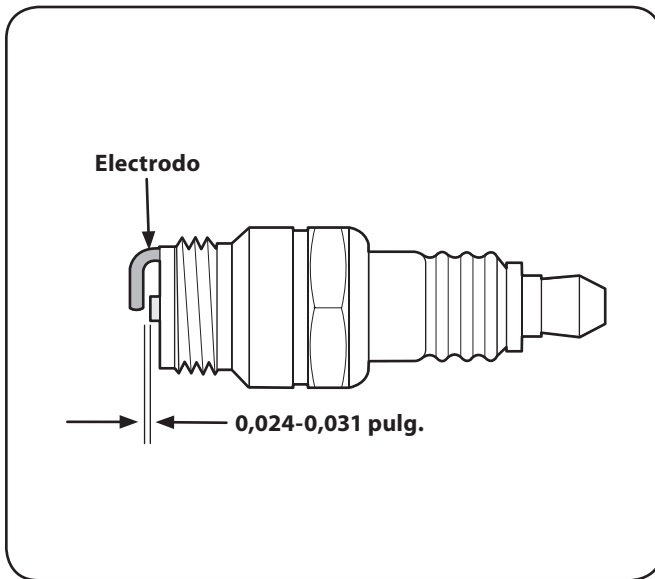


Figura 6-10

4. Verifique que la arandela de la bujía esté en buenas condiciones y enrosque la bujía hacia adentro manualmente para evitar enrosque cruzado.
5. Una vez que la bujía está colocada en su lugar, apriete con una llave para comprimir la arandela.

NOTA: Cuando instale una bujía nueva, apriete 1/2 de vuelta una vez que la bujía se encuentra colocada en su lugar para comprimir la arandela. Cuando vuelva a colocar una bujía usada, apriete 1/8 - 1/4 de vuelta una vez que la bujía se encuentra colocada en su lugar para comprimir la arandela.

IMPORTANTE: La bujía debe estar firmemente asegurada. Una bujía que no se encuentre bien asegurada puede calentarse mucho y dañar el motor.

Servicio con Filtro de Combustible

El filtro de combustible no puede ser limpiado y debe ser sustituido cada 100 horas de operaciones; más a menudo de ser dirigido con vieja gasolina.

1. Quite todo el combustible del tanque dirigiendo el motor hasta que esto se pare a falta del combustible.
2. Use pinzas para agarrar las pestañas de las abrazaderas, a continuación, aleje las abrazaderas del filtro de combustible. Ver la Figura 6-11.

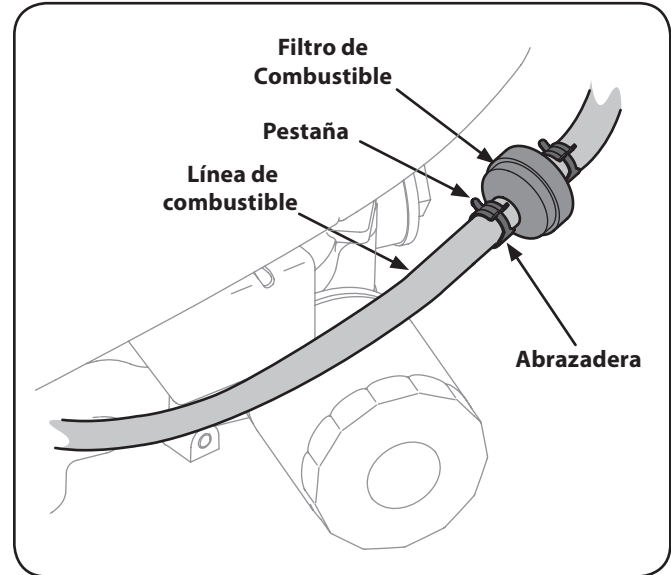


Figura 6-11

3. Gire y tire de las líneas de combustible fuera del filtro de combustible.
4. Reemplace con un nuevo filtro de combustible.
5. Asegure las líneas de combustible con las abrazaderas.

Limpiar el Motor

Si el motor ha estado funcionando, déjelo enfriar durante por lo menos media hora antes de limpiarlo. De manera regular, extraiga el pasto y la acumulación de suciedad del motor. Limpie las aletas de refrigeración de 25 horas. Limpie con un cepillo o aire comprimido.

IMPORTANTE: No rocíe el motor con agua para limpiarlo porque el agua podría contaminar el combustible. Con una manguera de jardín o equipo de lavado a presión también puede forzar agua dentro del depurador de aire o la abertura del silenciador. El agua en el depurador de aire embeberá el elemento de papel, y el agua que pasa a través del elemento o silenciador puede ingresar en el cilindro, causando daño.



ADVERTENCIA: La acumulación de residuos alrededor del silenciador podrían producir un incendio. Inspeccione y limpie antes de cada uso.

Almacenamiento



PRECAUCIÓN: El no usar un aditivo estabilizador de combustible o en su totalidad haga funcionar el motor hasta que esté sin combustible antes de guardarlo fuera de temporada puede resultar en daños al carburador de su motor. Daños posteriores no estarían cubiertos por la garantía del fabricante.

La gasolina que se almacenan más de 30 días tiene que ser pretratada después de la compra con estabilizador de combustible para prevenir la goma y el barniz se formen en el combustible y sistema de admisión de motores. Almacenamiento de combustible incorrecto puede producir problemas de arranque, no de partida, estancamiento y bajo rendimiento. Si la gasolina en su motor se deteriora durante el almacenamiento, debe reparar o reemplazar el carburador y otros componentes del sistema combustible.

1. Extraiga todo el combustible del depósito haciendo funcionar el motor hasta que se detenga por falta de combustible.



ADVERTENCIA: Nunca deje el motor desatendido dirigiendo.

2. Cambie el aceite del motor. Consulte la sección Cambio de Aceite.
3. Extriaga la bujía y vierte alrededor de 1/2 onza de aceite de motor dentro del cilindro. Vuelva a colocar la bujía y arranque lentamente el motor para distribuir el aceite.
4. Limpie el pasto y residuos en torno del motor, debajo de la protección de retención y debajo, alrededor y detrás del silenciador. Retoque la pintura dañada, y revista otras áreas que puedan oxidarse con una película delgada de aceite.
5. Almacene en un sector limpio, seco y bien ventilado, lejos de cualquier artefacto que funcione con una llama o luz piloto como horno, calentador de agua o secador de ropa. También evite cualquier sector con una chispa produciendo motor eléctrico o donde se utilizan herramientas eléctricas.
6. De ser posible, también evita áreas de almacenamiento con mucha humedad para evitar oxidación y corrosión.
7. Mantenga el motor nivelado cuando lo almacene. La inclinación del motor puede resultar en fugas de combustible o aceite.

Retirar de su Almacenamiento

1. Inspeccione su motor como se describe en la sección Control Previo al Funcionamiento de este manual.
2. Si el combustible fue drenado durante la preparación para el almacenamiento, llene el depósito con gasolina nueva. Si tiene un recipiente de gasolina para llenar, asegúrese de que contenga solo combustible sin usar. La gasolina se oxida y deteriora con el tiempo, causando un arranque difícil.
3. Si el cilindro fue revestido con aceite durante la preparación para el almacenamiento, el motor humeará brevemente durante el arranque. Esto es normal.

Problema	Causa	Solución
El motor no arranca	<ol style="list-style-type: none"> 1. No se ha activado el cebador. 2. Alambre de bujía desconectado. 3. Depósito de combustible combustible vacío o añejo. 4. Bujía defectuosa. 5. Reducción del flujo de combustible y filtro de combustible bloqueados. 6. Se ahogó el motor. 7. Sin batería. 8. Fusible quemado. 	<ol style="list-style-type: none"> 1. Coloque el control del regulador/cebador en la posición CHOKE (cebador). 2. Unir el alambre a la bujía. 3. Llenar el tanque de la gasolina limpia, fresca. 4. Limpio, ajuste el hueco, o sustituir. 5. Reemplace el filtro de combustible como se indica en la sección de mantenimiento. 6. Arranque el motor con el regulador en posición FAST (velocidad rápida). 7. Recargue la batería. 8. Cambie el fusible quemado.
El motor funciona de manera errática	<ol style="list-style-type: none"> 1. El cable de la bujía está flojo. 2. Reducción del flujo de combustible y filtro de combustible bloqueados. 3. La ventilación en la tapa del combustible está obstruida. 4. Agua o suciedad en el sistema del combustible. 5. El filtro de aire está sucio. 6. El motor está funcionando con el CEBADOR activado. 	<ol style="list-style-type: none"> 1. Conecte y ajuste el cable de la bujía. 2. Reemplace el filtro de combustible como se indica en la sección de mantenimiento. 3. Destape la ventilación. 4. Vacíe el tanque del combustible. Vuelva a llenarlo con combustible limpio. 5. Reemplace el elemento del filtro de aire y/o limpie el depurador. 6. Mueva el control del regulador/cebador para sacarlo de la posición CEBADOR.
El motor recalienta	<ol style="list-style-type: none"> 1. El nivel de aceite del motor es bajo. 2. Flujo de aire restringido. 	<ol style="list-style-type: none"> 1. Llène el cárter con aceite adecuado. 2. Limpie los recortes de césped y residuos de alrededor de las aletas de refrigeración del motor y del alojamiento del soplador.
Saltos ocasionales (pausas) a alta velocidad	<ol style="list-style-type: none"> 1. La distancia disruptiva de la bujía es muy pequeña. 	<ol style="list-style-type: none"> 1. Retire la bujía y reajuste la separación.
Funciona mal en marcha lenta	<ol style="list-style-type: none"> 1. Bujía atorada, averiada o exceso de distancia disruptiva. 2. El filtro de aire está sucio. 	<ol style="list-style-type: none"> 1. Reajuste la separación o reemplace la bujía. 2. Reemplace el elemento del filtro de aire y/o limpie el depurador.

DECLARACIÓN FEDERAL y/o DE CALIFORNIA SOBRE GARANTÍAS EN EL CONTROL DE EMISIONES SUS DERECHOS Y OBLIGACIONES EN CUANTO A LA GARANTÍA

MTD Consumer Group Inc, la Agencia de Protección Medioambiental de los Estados Unidos (EPA), y para aquellos productos certificados para su venta en el estado de California, el Departamento de los Recursos del Aire de California (CARB) se complacen en explicar la garantía que cubre al sistema de control (ECS) de emisiones de su equipo y motor (equipos de exteriores) de encendido por chispa para todo terreno, pequeño, de exteriores del año 2015-2016. En California, los nuevos motores de equipos de exteriores deben estar diseñados, construidos y equipados para cumplir con las estrictas normas antipolución del Estado (en otros estados, equipos de exteriores deben ser estar diseñados, construidos y equipados para cumplir con las regulaciones de motores de encendido por chispa para todo terreno pequeños de la Agencia de Protección Medioambiental de los Estados Unidos, (EPA). MTD Consumer Group Inc. debe garantizar el sistema de control de emisiones (ECS) de su motor de equipos de exteriores por el período de tiempo indicado más abajo, siempre y cuando no exista uso incorrecto, negligencia o mantenimiento inadecuado de equipos de exteriores.

Su ECS puede incluir piezas tales como el carburador, el sistema de inyección de combustible, el sistema de encendido, el convertidor catalítico, los depósitos de combustible, las líneas de combustible, los tapones de combustible, las válvulas, contenedores, filtros, mangueras de vapor, abrazaderas, conectores y otros componentes afines relacionados con las emisiones.

Donde exista una condición cubierta por la garantía, MTD Consumer Group Inc. reparará de equipos de exteriores sin costo alguno incluyendo el diagnóstico, las piezas y la mano de obra.

COBERTURA DE LA GARANTÍA DEL FABRICANTE:

Este sistema de control de emisiones se garantiza por el término de dos años. Si alguna pieza relacionada con las emisiones de su motor de equipos de exteriores es defectuosa, MTD CONSUMER GROUP INC. reparará o sustituirá dicha pieza.

RESPONSABILIDADES DEL PROPIETARIO SEGÚN LA GARANTÍA:

En su carácter de propietario de equipos de exteriores, usted es responsable del mantenimiento requerido que se especifica en el manual del propietario. MTD Consumer Group Inc le recomienda que conserve todos los recibos que cubren el mantenimiento de equipos de exteriores, obstante lo cual MTD Consumer Group Inc no podrá denegar el cumplimiento de la garantía únicamente por la falta de los recibos.

Como propietario de equipos de exteriores, usted debe saber que MTD Consumer Group Inc. puede denegar la cobertura de la garantía si su equipos de exteriores o una pieza del mismo fallan debido a uso incorrecto, negligencia, mantenimiento indebido o a modificaciones no aprobadas.

Usted es responsable de presentar su equipos de exteriores al centro de distribución o servicio técnico de MTD Consumer Group Inc. tan pronto como aparezca el problema. Las reparaciones cubiertas por la garantía se deben llevar a cabo en un lapso razonable que no exceda de 30 días. Si tiene alguna pregunta respecto de la cobertura de la garantía, póngase en contacto con el Departamento del Servicio Técnico de MTD Consumer Group Inc. al teléfono 1-800-800-7310 o por correo electrónico en <http://support.mtdproducts.com>.

COBERTURA DE LA GARANTÍA DE EMISIONES GENERALES:

MTD Consumer Group Inc garantiza al comprador final y a cada comprador subsiguiente que el equipos de exteriores: está diseñado, construido y equipado de modo de cumplir con todas las regulaciones aplicables y que se encuentra libre de defectos de materiales y de fabricación que pudieren causar la falla de una pieza garantizada idéntica, en todos los aspectos materiales a la pieza descrita en la solicitud de certificación de MTD Consumer Group Inc.

El período de garantía comienza en la fecha de entrega del equipos de exteriores al comprador final o en la fecha en que la máquina se pone en funcionamiento por primera vez. El período de garantía es de dos años.

Sujeto a ciertas condiciones y exclusiones que se indican a continuación, la garantía de las piezas relacionadas con las emisiones es la siguiente:

1. Cualquier pieza garantizada que no esté programada para ser reemplazada como parte del mantenimiento requerido en las instrucciones escritas suministradas se garantiza por el período de garantía arriba mencionado. Si la pieza falla durante el período de cobertura de la garantía, la misma será reparada o reemplazada por MTD Consumer Group Inc. de acuerdo con el párrafo (4) a continuación. Cualquier pieza reparada o reemplazada según la garantía se garantizará por el resto del período de garantía.
2. Cualquier pieza garantizada que esté programada solamente para inspección regular en las instrucciones escritas suministradas se garantiza por el período de garantía arriba mencionado. Cualquier pieza reparada o reemplazada según la garantía se garantizará por el resto del período.
3. Cualquier pieza garantizada que esté programada para reemplazo según el mantenimiento requerido de conformidad con las instrucciones escritas suministradas, se garantiza por el período de tiempo anterior a la primera fecha de reemplazo programada para esa pieza. Si la pieza falla antes del primer reemplazo programado, la misma será reparada o reemplazada por MTD Consumer Group Inc. de acuerdo con el párrafo (4) a continuación. Cualquier pieza reparada o reemplazada bajo garantía se garantizará por el resto del período anterior al primer reemplazo programado puntual para esa pieza.
4. La reparación o el reemplazo de cualquier pieza garantizada de conformidad con las disposiciones de la garantía que aquí se estipula se deben realizar en un centro de garantía sin costo alguno para el propietario.
5. No obstante las disposiciones que aquí se estipulan, los servicios o reparaciones bajo garantía se suministrarán en todos nuestros centros de distribución bajo franquicia de mantenimiento para los motores o equipos en cuestión.
6. El propietario de equipos de exteriores no deberá pagar el trabajo de diagnóstico directamente asociado con una pieza garantizada defectuosa en relación con las emisiones, siempre y cuando dicho trabajo de diagnóstico se realice en un centro cubierto por la garantía.

7. MTD Consumer Group Inc es responsable por daños causados a otros componentes de motores o equipos derivados de la falla bajo garantía de cualquier pieza garantizada.
8. Durante la totalidad del período de garantía del motor y equipo para todo terreno arriba mencionado, MTD Consumer Group Inc mantendrá un suministro de piezas bajo garantía suficiente para satisfacer la demanda esperada de tales piezas.
9. Cualquier pieza de reemplazo se podrá usar para el cumplimiento del mantenimiento o las reparaciones bajo garantía y se suministrarán sin cargo para el propietario. Dicho uso no reducirá las obligaciones de garantía de MTD Consumer Group Inc.
10. No se podrán usar piezas adicionales ni modificadas que no estén exentas de acuerdo con el Departamento de los Recursos del Aire (Air Resources Board). El uso de cualquier pieza adicional o modificada no exenta por el comprador final será causal de invalidez de los reclamos bajo garantía. MTD Consumer Group Inc no tendrá responsabilidad por la garantía de fallas de piezas garantizadas que fueren causadas por el uso de una pieza adicional no exenta o modificada.

PIEZAS GARANTIZADAS:

La reparación o el reemplazo de cualquier pieza garantizada que de otro modo pudiese estar cubierta por la garantía podrá ser excluida de tal cobertura de garantía si MTD Consumer Group Inc demuestra que el equipo de exteriores es objeto de uso incorrecto, negligencia o mantenimiento inadecuado, y que tal uso incorrecto, negligencia o mantenimiento inadecuado fue causa directa de la necesidad de reparación o reemplazo de dicha pieza. No obstante lo antedicho, cualquier ajuste de un componente con un dispositivo de limitación de ajuste instalado en fábrica y que funcione adecuadamente, podrá ser cubierto por la garantía. Además, la cobertura bajo esta garantía se extiende solo a piezas que estuvieron presentes en y equipo todo terreno adquiridos.

Están cubiertas las siguientes piezas con garantía para emisiones (de corresponder):

1. Sistema de medición de combustible
 - Sistema de mejora para inicio en frío (cebado suave)
 - Carburador y piezas internas (o sistema de inyección por combustible)
 - Bomba de combustible
 - Depósito de combustible
2. Sistema de inducción de aire
 - Purificador de aire
 - Colector de admisión
3. Sistema de encendido
 - Bujía(s) de encendido
 - Sistema de encendido por magneto
4. Sistema de encendido
 - Convertidor catalítico
 - SAI (válvula Reed)
5. Componentes varios utilizados en el sistema anterior
 - Válvulas e interruptores de vacío, temperatura, posición sensibles al tiempo
 - Conectores y montajes
6. Control evaporativo
 - Manguera de combustible
 - Abrazaderas de la manguera de combustible
 - Tapón del combustible atado por correa
 - Caja de carbono
 - Líneas de vapor