

Safety Instructions

Be sure to observe the following instructions when using the device.



Warning: Failure to observe the instructions may lead to death or serious injury.

- Directly plug the power cord in the receptacle on the wall. Do not use extension cord.
- If the power cable or plug is worn or damaged, pull out the power plug.
- The exposure of the interior of the machine can cause electric shock or burns. Do not remove covers or screws other than specified in this manual.
- Please be cautious. In the process of printing, the temperature of the nozzle and the heated bed rise higher than 100 degrees Celsius.
- Do not place the machine in a highly moist environment as it may cause deformation and malfunction.
- Avoid contact of electrical terminal with metal product such as necklaces, coins, keys, watches, etc.
- Do not hold the shaft for lifting or moving of the printer.
- For the following situations turn off power and pull out the power plug
 - When in contact with liquid
 - When in need for a service or repair request
 - When the device cover is damaged
- For the method of disposal contact local service center or use a proper collection site.
- Please turn off power when leaving the office after business hours or in circumstances where machine is unoccupied for a long period of time as it may cause abrupt fire accidents.



Caution: Failure to observe instructions may cause injuries or damages to property.

- Protect device from humid or wet conditions eg. rain, snow, etc
- Remove power cord from receptacle on the wall before moving device.
- Be careful not to damage power cord while device is being translocated.
- When removing the power cord, please pull the plug and not the power cable.
- Be cautious of clips, staples and any other small metal objects from falling inside the device.
- Please be cautious on safety when touching the interior of the machine, e.g. cleaning the interior.
- Do not dispose of device or consumables together with household waste. For the method of disposal, please contact local service center or use a proper collection site.
- Interior of device may be very hot. Please do not touch the part with “Caution: High Temperature” sign or its surrounding areas as it may cause burns.
- Our product maintains high quality standards and performance. It is recommended to use genuine components only, components can be acquired from any authorized distributors.

Before use

Thank you for purchasing our product.

This user manual contains detailed information about correct use of device and easy maintenance to maintain the optimal state, and to contribute to the rationalization of office work of your company.

Carefully read the user manual before using the device and keep close at hand.

In order to use device correctly and safely, please carefully note the precautions before use.

Prohibition and limitation

1. This User Manual has been created for the convenience of the user, actual product may differ from image and explanations shown.
2. The contents of this user manual is subject to change without notice. We are not responsible for the direct and/or indirect loss or damages caused by results of handling or operating the product in any case and for results occurring from user's negligence.
3. The copyrighted literary works can be duplicated and used for personal use or household use and within the same parameter. In other cases than the aforementioned, it is prohibited by law.
4. The above details present only a part of the applicable laws and regulations. Details on these laws/regulations may not be stated as they are. We do not guarantee its correctness and completeness. Please consult a legal advisor to check if the object you intend to print is legal.
5. User is responsible for all loss derived from modification of the product executed by the user or third party.
6. Font used in the printer GUI and the user manual is the "NANUM" font provided by NAVER.

1. Preface

This User Manual describes detailed explanations and points to note in connection with operating and using the machine. Please read the User Manual carefully before using machine, and keep it for reference purpose.

Important

- The content of the User Manual is subject to change without any prior notification.
Sindoh shall not be liable for consequential, special, indirect damages or losses caused by the handling or operating of the machine or by the user's negligence.
- Copyrighted works can be printed and used for home and/or personal use; other usage is prohibited by law.
- The above details present only a part of the applicable laws and regulations and the details of the law may not be stated as they are. Sindoh is not responsible for its correctness and completeness.
Please consult your legal advisor to check if the object you intend to print is legal.

Note

- The User Manual may include a little different descriptions of the machine from the actual one.
Some options may not be available in some countries. Please contact local distributor for details.
Some standard units are optional in some countries.
Please consult your local service center.
- In some countries some models are not available.
Please consult your local sales office.
- This manual uses metric units of measurement

2. Conventions

2.1 Symbols

This manual uses the following symbols and meanings.

Warning

- Indicates importance safety notes.
Ignoring these notes could result in serious injury or death.
Be sure to read these notes carefully for your safe operations of the machine.

Caution

- Indicates important safety notes.
Ignoring these notes could result in minor injury, or damage to the machine or to property.
Be sure to read these notes for your safe operations of the machine.

Important

- Indicates points to pay attention to when using the machine, and explanations of likely causes of filament misfeeds, damage to originals, or loss of data.
Be sure to read these explanations before operating the machine.

Note

- Indicates supplementary explanations of the machine's functions, and instructions on resolving user errors.

Reference

- This symbol is located at the end of sections. It indicates where you can find further relevant information.

[]

Indicates the messages or menus that appear on the machine's LCD display panel.

[]

Indicates the names of each function key on the machine control panel and the display window.

3. Safety Information

Plug the power cord into a properly grounded outlet which is near and quickly accessible from the machine.
Do not use or place the machine in wet or humid environment.

Hot Surface

- The inside of the machine may be hot. To reduce the risk of injury from a hot component, allow some time to cool down.
(Please be cautious of getting burns during printing as the Nozzle and the heating bed will maintain a high temperature of over 100 degrees.)
- Do not put any portion of your body or objects on any part during machine operation as the motor and bed can be in very high temperature and can cause burns/injuries. Please be cautious.
- When the power is on, do not let any of your body touch the machine except the bed.
If you have to touch the bed while the power is on, please do so after the bed temperature has been lowered to room temperature.
- If you have to touch any parts other than the bed, please do so after the bed and nozzle temperature have been lowered to room temperature.



Electric Shock



- Proceed your work after turning off the machine and unplugging the power cord from the outlet in case of accessing the system board, or installing hardware or optional memory devices. If the machine is connected with other device, turn it off and separate the cables from the machine.
- This product has been designed, tested and approved to meet strict safety requirements of international safety standard. Some safety features of parts may not be guaranteed.
Sindoh is not liable for problems caused by using an unauthorized spare parts or consumables.
- Disconnect the power cord and all the cables connected to the machine to prevent from any electrical shock when cleaning the outside or inside of the machine.



Injuries

- Do not twist, fold, step or place heavy objects on the powercord.
- Be careful with the power cord peeled off or overloaded.
- Do not let the power cord pinched by furniture or walls.
- Misusing the cord could result in fire or electrical shock.
- Check the cord regularly. When checking the cord, unplug the cord from the outlet first.
- Please consult a qualified engineer for services or repairs not stated in this User Manual.

Caution Injuries

- To prevent personal injuries or damages to the machine, you need to follow the below instructions before moving the machine.
 - Do not open the front and top door during machine operation.
 - When the power is on, do not let any of your body touch the machine except the bed.
 - If you have to touch any parts other than the bed, please do so after turning the power off, removing the power cord from the plug and after the bed and nozzle temperature have been lowered to room temperature.
 - Turn the power switch off, then unplug the power cord from the power outlet.
 - Unplug and release all the cords and cables before moving the machine.
 - Only use the power cords provided with this machine or cords that are approved by the manufacturer.
 - Do not put any portion of your body or objects during machine operation, as the bed, motor, nozzle will be in operation and moving. Small objects such as neckless, hair, etc may cause personal injuries or damages to the machine.
 - If any problems occur(malfunction, body part being caught inside the machine, etc) during machine operation, quickly press the pause [] or stop [] button located on the on the bottom right of the touch screen located on the bottom right of the upper side.



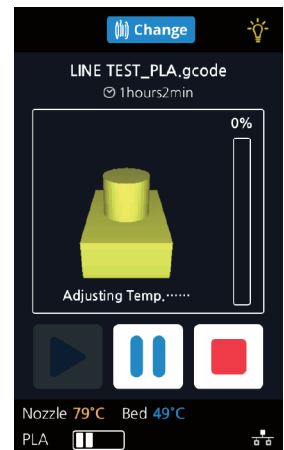
Nozzle



Bed



UI



4. Precautions

4.1 Installation

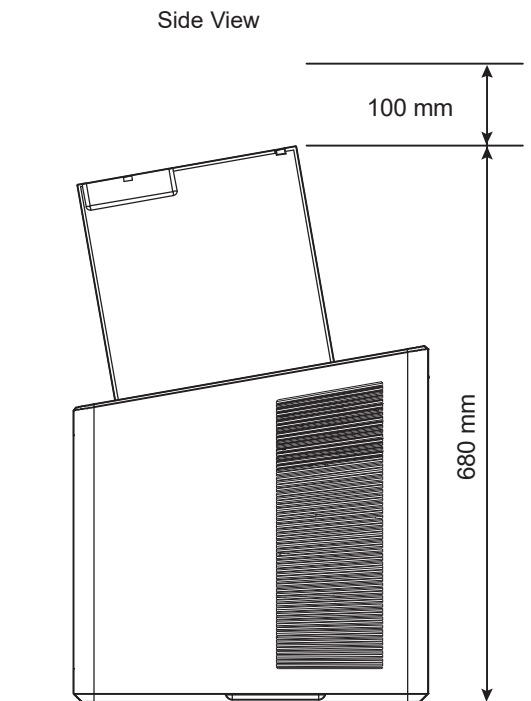
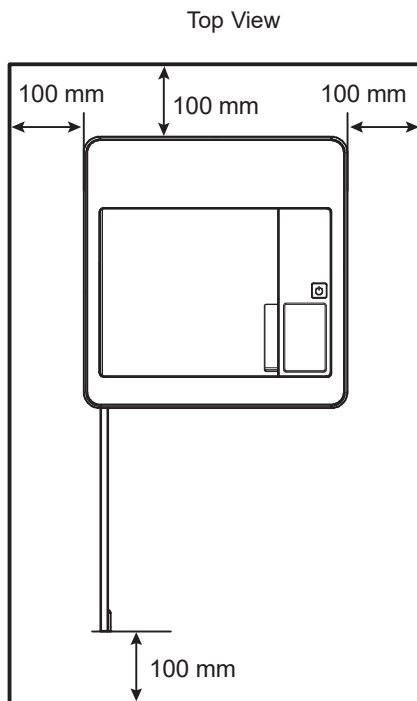
⚠ Warning

- Install the machine in a well ventilated area.

You can smell odor during machine operation. It should not be harmful; however, if the area of where the machine is located is not ventilated, make sure to ventilate the area appropriately time to time.

⚙ Important

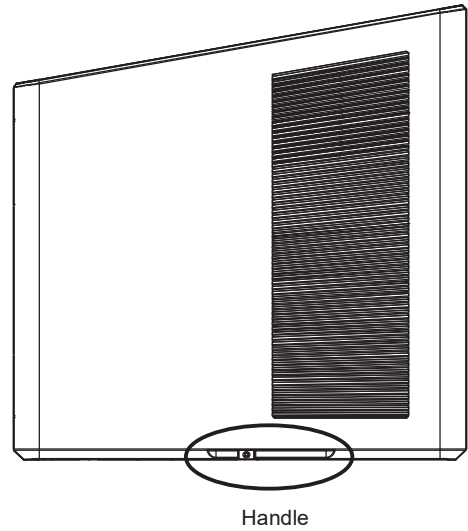
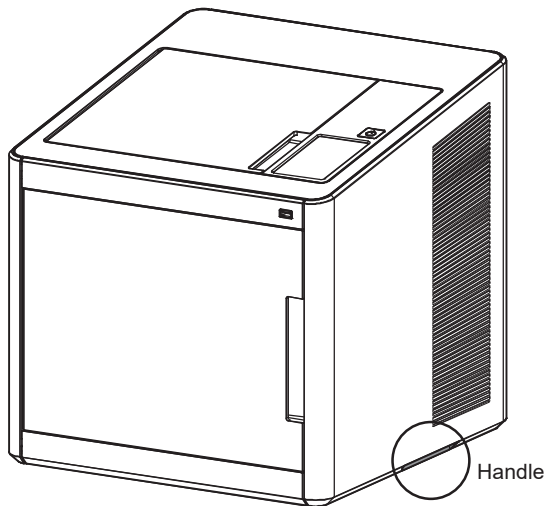
- Install the machine with its vents spaced at least 10 cm away from walls and other equipments. Secure properly sufficient space around the machine for easy ventilation and operation. Use the machine at temperatures of 16 °C ~ 29 °C and relative humidity of 20% ~ 70%. Do not install or use the machine outdoor.



4.2 Moving the Machine

⚠ Warning

- Before moving the machine, be sure to unplug the power cord from the outlet.
When moving the printer, it is recommended that two people lift and move the printer for safety.
- Hold the bottom handles of the machine when moving it.
Bend your knees enough to protect your spine when lifting the machine.



5. Consumables Handling

Warning

- Do not burn the Cartridge unit or filament. It may be a cause of big fire or burn by ignition.

Caution

- Keep them out of the reach of children.
- If skin irritation occurs after touching the filament, please see a doctor.

Important

- Do not keep the cartridge unit in the following places.
 - Exposed to fire
 - Exposed to direct sunlight;
 - Where temperature or humidity may rise;
 - Where sharp change of temperature may occur;
 - Covered with dust;
 - Inside a vehicle for extended time.
- Keep cartridges away from physical impact or vibration.
- Do not unpack cartridges until you are just ready to use them.

6. Instructions for Use

⚠ Caution

- The nozzle and the bed that are inside the machine are very hot during machine operation. Please be cautious not to touch the nozzle or the bed during removal of the printed object or during inspection of the machine inside. It may become the cause of injuries or burns.
- Never operate the machine in the way this manual does not specifically instruct.

Notification for California customers, USA

⚠ Warning

- This product uses chemicals known to the State of California to cause cancer and birth defects or other reproductive harm. This appliance and its accessories can cause low-level exposure to chemicals during operation, which can be reduced by operating the appliance in a well ventilated area.

7. Ventilation

⚠ Caution

- Use the machine in a place with good ventilation. If the machine is used in a place without good ventilation, this may be harmful for your health. Ventilate it on a regular basis.
- Do not block vents. Inappropriate cooling may lead to high temperatures inside the machine.
- In general, a new machine may produce small amount of gaseous components, so ensure good ventilation when the machine is used for the first time. If the machine is in operation for an extended time, do not stay in the same room for a long time.

8. Notices

❖ Noise Emission Level

The following are measured in accordance of ISO 7779 and reported to meet ISO 9296.
Some modes may not be available in your purchased products.

Average Sound Pressure at 1 Meter Away	
Printing	53dBA(Normal Print Condition - Printing speed 40 mm/s, Travel speed 100 mm/s)
Standby	under 30 dBA

❖ Temperature/Humidity

Operation	16 °C ~ 29 °C 20%RH~70%RH
Shipping	-30 °C ~ 50 °C, 15%RH~95%RH(for 0 °C or lower temperature, room's temperature should be higher than the outdoor's; must not touch the floor)
Storage	-30 °C ~ 50 °C, Below 80%RH(No condensation, must not touch the floor)

❖ Disposal of The Products

Do not dispose the machine and consumables together with household wastes.
For disposal or recycling, contact your local sales office.

❖ EMI(Electromagnetic Interference) Notice

This machine complies with the limits for Class B.
Class B (Home Device): This device is designated to Class B. This equipment can be used in all areas including residential area as it has obtained EMC registration for household use.

① FCC COMPLIANCE STATEMENT

This device complies with part 15 of the FCC Rules. Operation is subject to the following two conditions:
(1) This device may not cause harmful interference, and (2) this device must accept any interference received, including interference that may cause undesired operation.

② INFORMATION TO USER

This equipment has been tested and found to comply with the limits for a Class B digital device, pursuant to part 15 of the FCC Rules. These limits are designed to provide reasonable protection against harmful interference in a residential installation.

This equipment generates uses and can radiate radio frequency energy and, if not installed and used in accordance with the instructions, may cause harmful interference to radio communications. However, there is no guarantee that interference will not occur in a particular installation. If this equipment does cause harmful interference to radio or television reception, which can be determined by turning the equipment off and on, the user is encouraged to try to correct the interference by one or more of the following measures:

- Reorient or relocate the receiving antenna.
- Increase the separation between the equipment and receiver.
- Connect the equipment into an outlet on a circuit different from that to which the receiver is connected.
- Consult the dealer or an experienced radio/TV technician for help.

③ CAUTION

Any changes or modifications not expressly approved by the manufacturer responsible for compliance could void the user's authority to operate the equipment.

④ DECLARATION OF CONFORMITY (DOC Letter): 12page

❖ Wireless LAN Specifications

The wireless device may be affected by electromagnetic interference so it should not be used for life saving services.

❖ WLAN Notice

Exposure to radio frequency radiation

The following notice is applicable if your printer has a wireless network card installed.

The radiated output power of this device is far below the FCC radio frequency exposure limits.

A minimum clearance of 20 cm (8 inches) must be maintained between the antenna and any persons for this device to satisfy the RF exposure requirements of the FCC.

❖ Power Consumption

Power Consumption of the Products

The below table shows power consumption.

Mode	Description	Power Consumption(W)
Printing	A device is printing using electronic input data.	150W
Standby	A device is in standby mode.	21W
Power Off	A power plug is plugged into the outlet with the machine's switch off .	0.05W

The above power consumption is the hourly average value.

Instant power consumption can be much higher than the average value.

Deactivated Mode

The machine consumes power even in the deactivated mode. Unplug the power cord to completely stop the power consumption.

Total Energy Usage

It would be useful to calculate the Total energy usage of the machine.

Since the electricity bill is charged in Watt unit, you have to multiply time spent in each mode by power consumption in order to calculate the energy use.

Total energy usage is the sum of energy used in each mode.

Condensation

Dramatic change of the ambient temperature may produces water droplets on the interior and exterior of the machine. Wipe the water droplets on the outer surface, but for the inside please let them dry off by leaving front door and cover opened.

9. Disposal of Used Battery

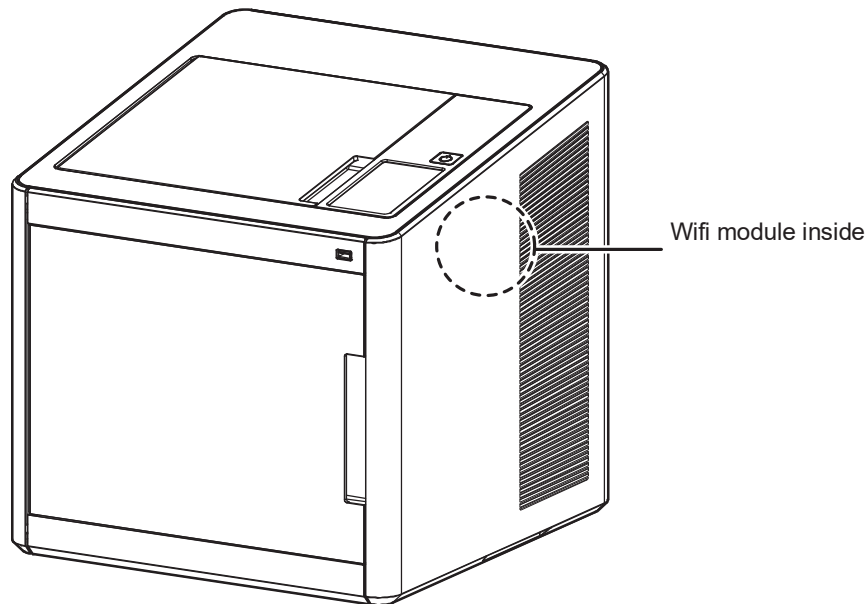
Control board uses a Lithium battery.

Please discard used batteries following the environmentally friendly procedure stated on the manufacturer guidelines.

To replace batteries, please contact a qualified service engineer.

10. Wifi Module Disclaimer

- ❖ This module includes a Wifi module, compatible only with Sindoh 3DWOX models.



❖ Precautions

This Wifi module can cause radio interference, therefore it should not be used for any purposes related to human lives.

Do not expose this product to water, humidity or liquid.

Do not expose this product to direct light, hot temperature or fire.

⚠ Warning

- If the machine has been modified by an unauthorized personnel, Sindoh is not liable for the machine trouble or failure.

⚠ Caution

- To prevent RF signals that exceed FCC RF exposure limits from being exposed to human, this module has been mounted in a place that minimizes human access.

❖ Precautions

Frequency	IEEE 802.11b : 2400MHz ~ 2484MHz IEEE 802.11g : 2400MHz ~ 2484MHz IEEE 802.11n(20MHz) : 2400MHz ~ 2483MHz IEEE 802.11n(40MHz) : 2400MHz ~ 2483MHz
Antenna Power Density	IEEE 802.11b : 10mW(10dbm)/MHz IEEE 802.11g : 10mW(10dbm)/MHz IEEE 802.11n(20MHz) : 10mW(10dbm)/MHz IEEE 802.11n(40MHz) : 10mW(10dbm)/MHz
No. of Channels	IEEE 802.11b : 14 IEEE 802.11g : 14 IEEE 802.11n(20MHz) : 14 IEEE 802.11n(40MHz) : 9
Modulation	IEEE 802.11b : DSSS/CCK IEEE 802.11g : OFDM IEEE 802.11n(20MHz) : OFDM IEEE 802.11n(40MHz) : OFDM
Power Consumption	5V 500mA(Maximum)
Dimension	37.0mm X 28.0mm X 3.7 mm
Operation Temperature	0 ~ 60 °C
Storage Temperature	-10 ~ 80 °C

11. USB Memory Disclaimer

❖ FCC COMPLIANCE STATEMENT

This device complies with part 15 of the FCC Rules. Operation is subject to the following two conditions: (1) this device may not cause harmful interference, and (2) this device must accept any interference received, including interference that may cause undesired operation.

❖ INFORMATION TO USER

This equipment has been tested and found to comply with the limits for a Class B digital device, pursuant to part 15 of the FCC Rules. These limits are designed to provide reasonable protection against harmful interference in a residential installation.

This equipment generates, uses and can radiate radio frequency energy and, if not installed and used in accordance with the instructions, may cause harmful interference to radio communications.

However, there is no guarantee that interference will not occur in a particular installation.

If this equipment does cause harmful interference to radio or television reception, which can be determined by turning the equipment off and on, the user is encouraged to try to correct the interference by one more of the following measures:

- Reorient or relocate the receiving antenna.
- Increase the separation between the equipment and receiver.
- Connect the equipment into an outlet on a circuit different from that to which the receiver is connected.
- Consult the dealer or an experienced radio/TV technician for help.

❖ CAUTION

Any changes or modifications not expressly approved by the manufacturer responsible for compliance could void the user's authority to operate the equipment.

❖ Specification of compatible USB flash drive for 3DWOX

- Please use the enclosed USB flash drive.
- The enclosed USB flash drive is in FAT32 format.
The 3DWOX 3D printer does not support USB flash drives in NTFS format.
- The warranty will not be valid if a 3rd party USB drive is used.