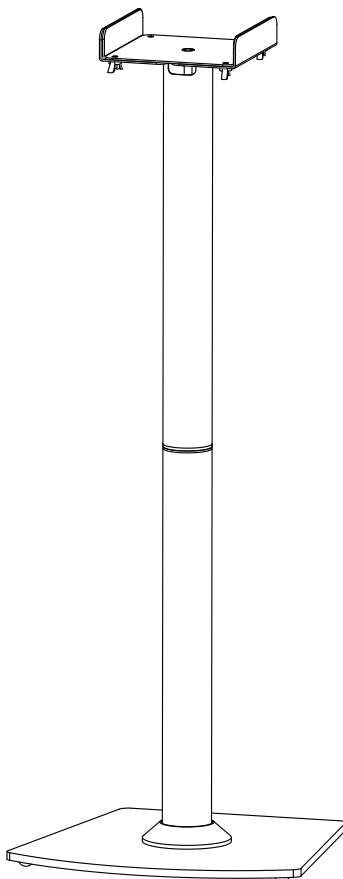




PERLESMITH

SPEAKER FLOOR STAND

V1.0



PSSS5



Thank you for choosing our product! We strive to provide the best quality and services for our customers. Would you kindly share your experience on Amazon if you are satisfied? Should you have any issues, please don't hesitate to contact us.
Telephone: 800-5566-806 Mon-Fri 10am - 6pm (PST) (USA) (CAN)
Email: supportus@perlesmith.com (US/CA/DE/UK/FR/IT/ES/JP/AU)

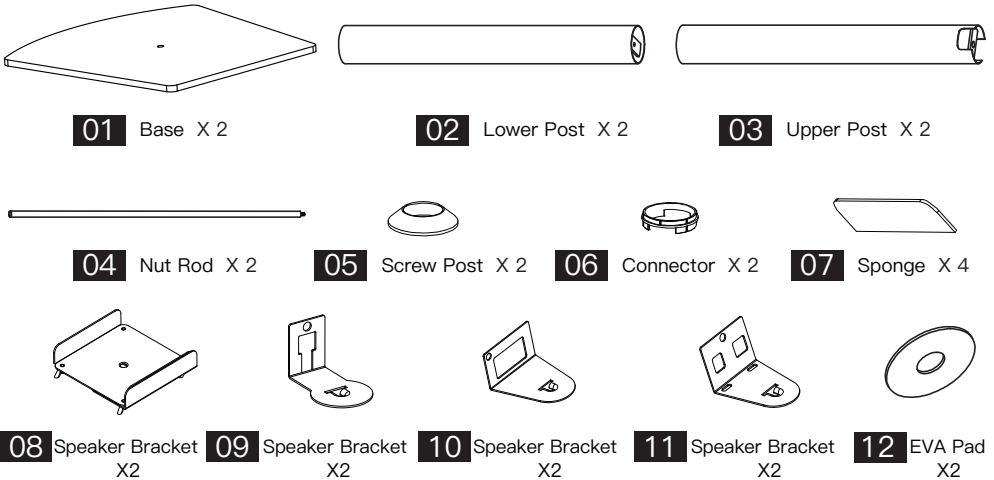
Important Safety Instructions

- Check package contents against Supplied Parts and Hardware Lists to assure that all components were received undamaged. Do not use damaged or defective parts.If you require replacement parts, contact customer service at supportus@perlesmith.com.
- Not all parts and hardware included will be used.
- Carefully read all instructions before attempting installation.If you do not understand the instructions or have any concerns or questions, please contact customer service at supportus@perlesmith.com
- This product may contain moving parts. Use with caution.
- Do not use this product for any purpose or in any configuration not explicitly specified in this instruction. We hereby disclaims any liability for injury or damage arising from incorrect assembly or incorrect use of this product.
- Please check www.perlesmith.com for more products and company information.



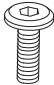


TOOLS NEEDED (NOT INCLUDED)







- Phillips Screwdriver 

SUPPLIED PARTS



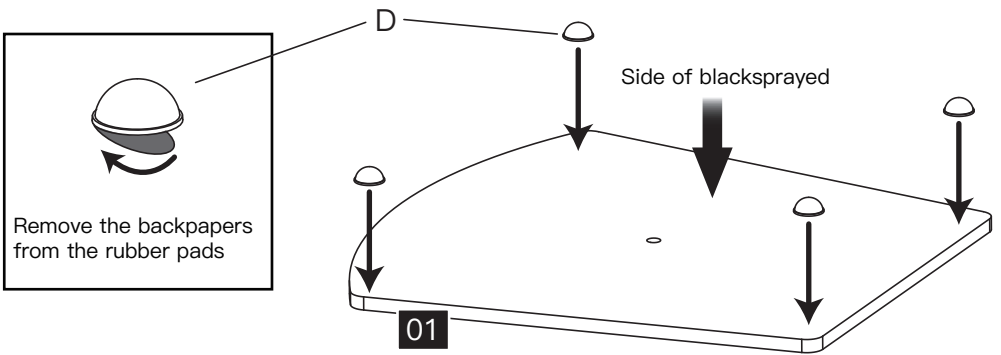
HARDWARE KIT

| | | | | |
|---|---|---|---|---|
| Screw M6*16 | Plastic washer | Inner Hexagon Screw M6*25 | Rubber Pad | Screw M4x12mm |
|  |  |  |  |  |
| X 2 | X 2 | X 2 | X 8 | X 2 |
| A | B | C | D | E |

| | | | | | |
|---|---|---|---|---|--|
| Screw M5x12mm | Washer φ6.5*16 | Screw M6x12mm | Screw 1/4-20x1/2" | Washer φ5*15 | Allen Key M4 |
|  |  |  |  |  |  |
| x2 | x2 | x2 | x2 | x2 | x1 |
| F | G | M | H | J | K |

STEP 1

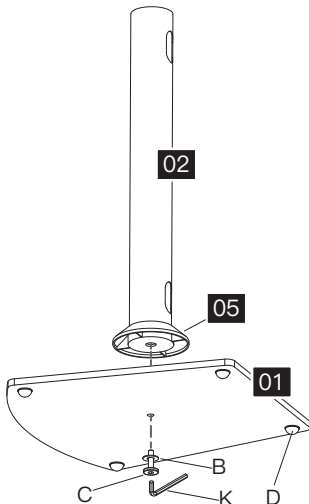
Attach the Rubber Pads to the Bases



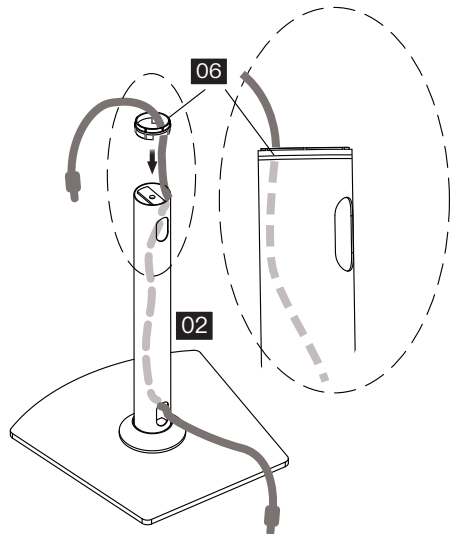
STEP 2

Assemble the Lower Posts to the Bases.

Assemble the base and the lower post.

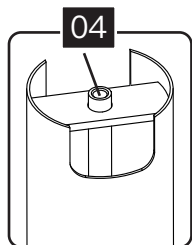
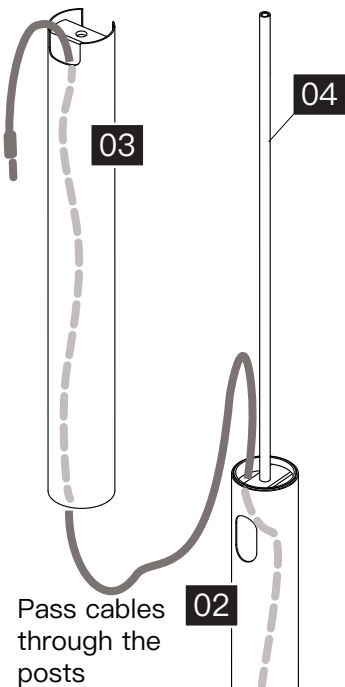
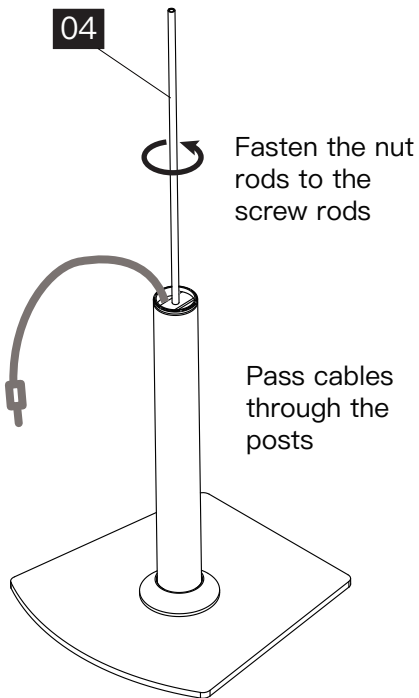


Manage the cables

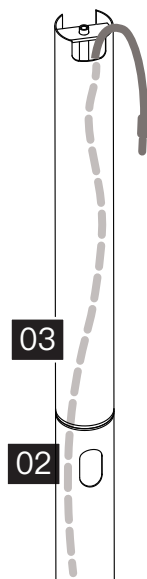


STEP 3

Assemble the Upper Posts to the Lower Posts.

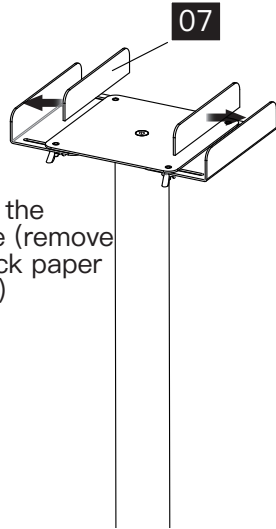
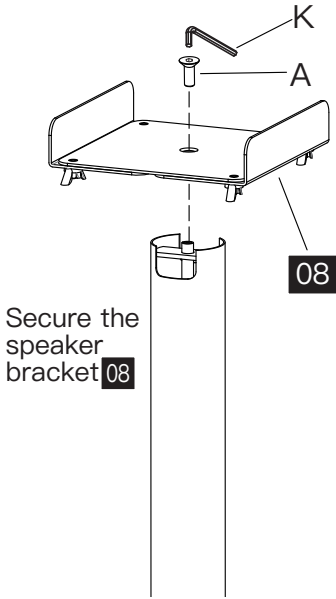


Attach the upper post at the lower post

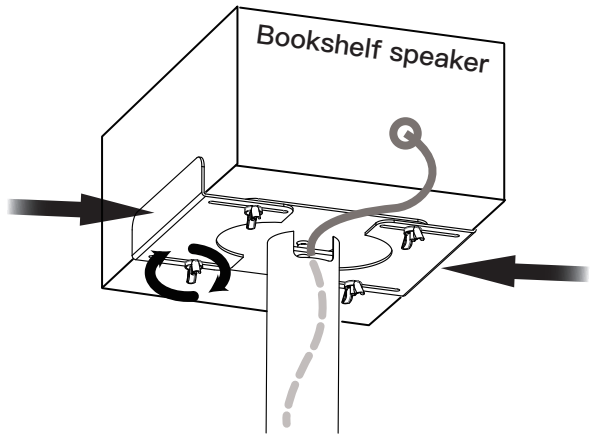
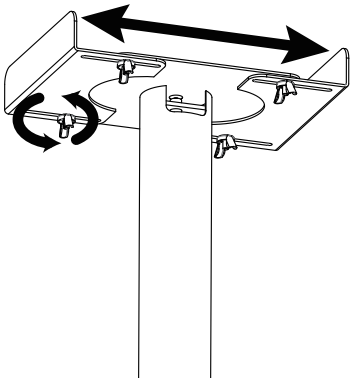


STEP 4 Secure Speaker to the Upper Posts

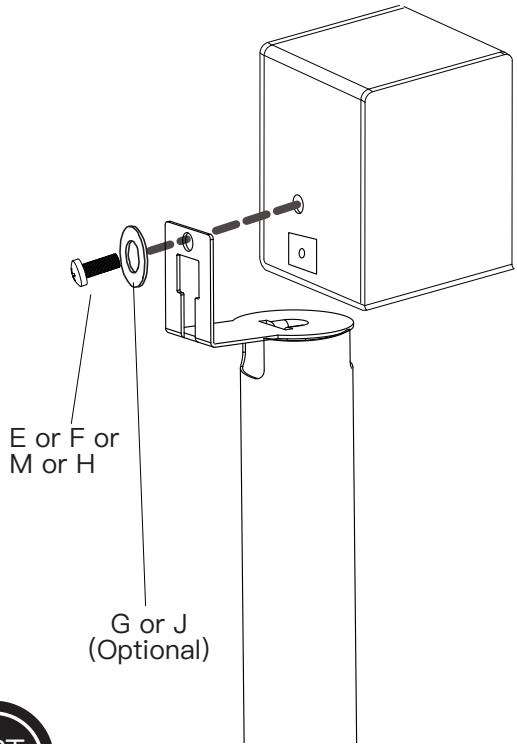
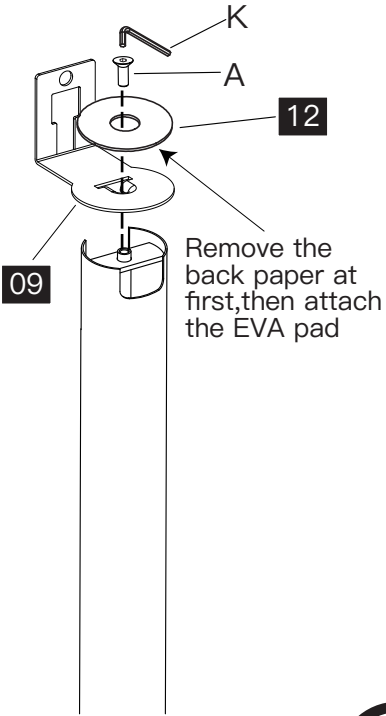
Speaker option A: Bookshelf Speakers



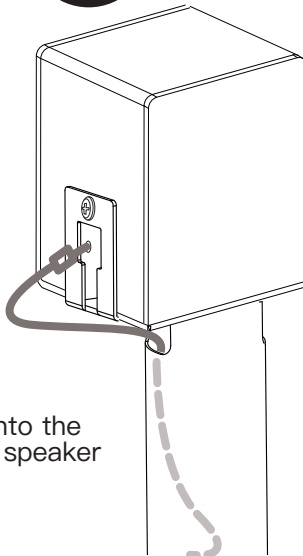
OPT A



Speaker option B: Sonos One Speakers and PLAY: 1 Speakers



OPT B

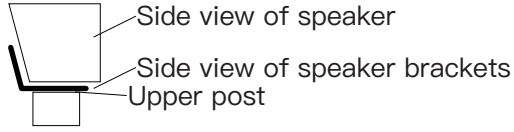


Insert the cable into the cable hole of the speaker

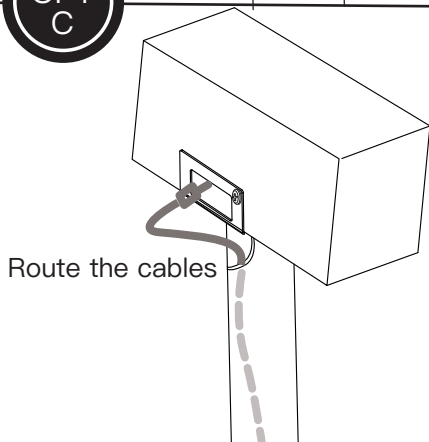
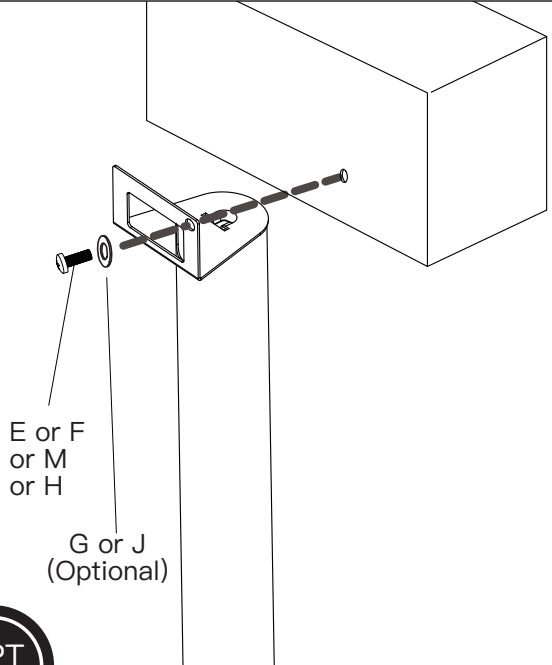
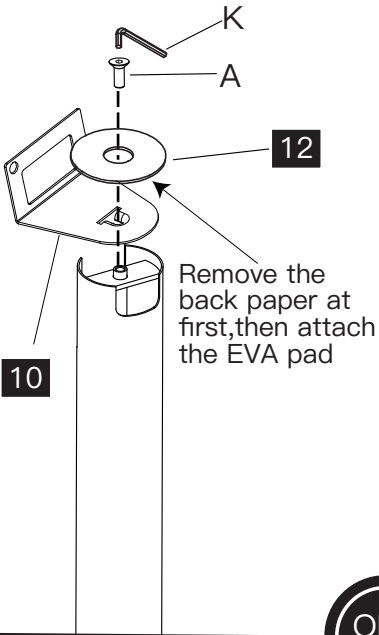
Speaker option C: PLAY:3 (HORIZONTAL) Speakers



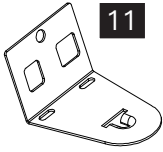
Attention! Ensure the degree of the speaker brackets **10** fit the degree of speakers.



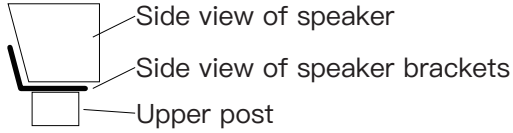
Select the proper speaker brackets according to your speaker



Speaker option D: PLAY:3 (VERTICAL) Speakers



Attention! Ensure the degree of the speaker brackets **11** fit the degree of speakers.



Select the proper speaker brackets according to your speaker

