

TURBRO

Jeeves J22

Cordless Vacuum Cleaner

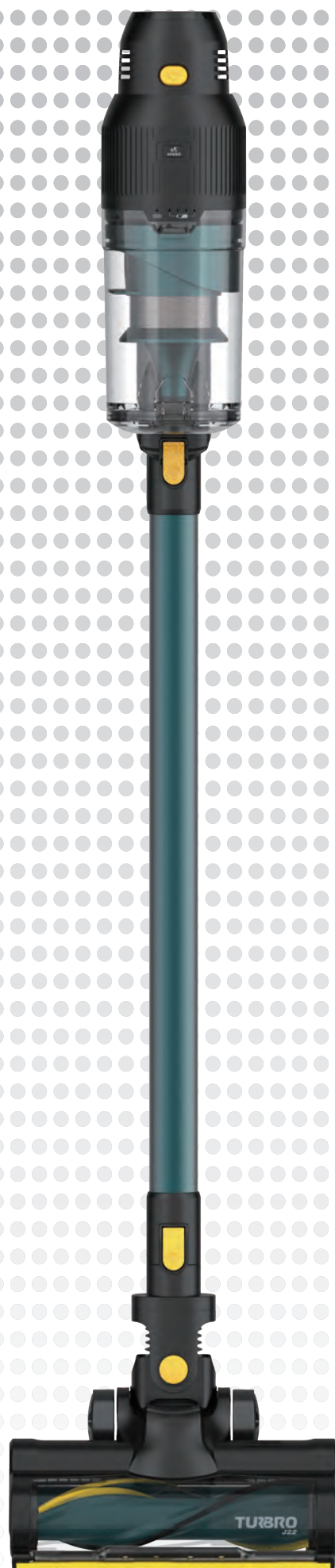
User Guide

Thank you for purchasing the TURBRO®
Cordless Vacuum Cleaner.



READ CAREFULLY BEFORE ATTEMPTING
TO ASSEMBLE, INSTALL, OPERATE OR
MAINTAIN THE PRODUCT DESCRIBED.

PROTECT YOURSELF AND OTHERS BY
OBSERVING ALL SAFETY INFORMATION.
FAILURE TO COMPLY WITH INSTRUCTIONS
COULD RESULT IN PERSONAL INJURY
AND/OR PROPERTY DAMAGE!



CONTENTS

| | |
|--|----|
| Specifications and Safety | 02 |
| Product Specifications | 02 |
| Important Safety Instructions | 03 |
| Main Unit and Accessories | 06 |
| Assembly and Use | 08 |
| Charge the Vacuum Cleaner | 08 |
| Assemble the Vacuum Cleaner | 09 |
| Use the Vacuum Cleaner for Floors Cleaning | 10 |
| Use the Handheld Vacuum with the Accessories | 10 |
| Clean and Maintenance | 11 |
| Troubleshooting | 14 |
| Warranty | 15 |

Specifications and Safety

Product Specifications

| | |
|-------------------|---------------------------|
| Model | J22 |
| Motor | Brushless DC |
| Rated Power | 220 W |
| Peak Power | 250 W max. |
| Power Suction | 22 kPa |
| Noise Level | < 68 dB |
| Operating TEMP | 32 °F ~ 113 °F |
| Battery | 25.9 V, 2200 mAh |
| Charging Time | 4 ~ 5 Hours |
| Running Time | 45-50 min (Standard mode) |
| Power Supply | DC 29.4 V |
| Dust Cup Capacity | 0.6 L / 0.16 gal. |
| Main Body Weight | 3.1 lbs. |

WARNING

These warnings apply to the machine, and also where applicable, to all tools, accessories, chargers or mains adapters.

To reduce the risk of injury, fire, electric shock, and property damage resulting from improper use of the appliance, carefully read the following instructions.

Important Safety Instructions

TO REDUCE THE RISK OF FIRE, ELECTRIC SHOCK, OR INJURY:

1. To avoid fire, explosion, or injury, inspect power adapter, battery pack and chargers for any damage before use. **DO NOT** use vacuum cleaner with a damaged battery pack or charger.
2. **DO NOT** leave vacuum cleaner unattended. **DO NOT** allow young children to operate the appliance or use as a toy. Close supervision is necessary when any appliance is used near children.
3. **DO NOT** use outdoors or on wet surfaces. Use only on dry surfaces.
4. **DO NOT** handle charger or vacuum cleaner with wet hands.
5. **DO NOT** incinerate appliance, even if it is severely damaged, as power pack may explode in a fire.
6. Use only **TURBRO** chargers and batteries. Other types of batteries may burst, causing injury and damage.
7. Always turn off this appliance before connecting or disconnecting brush head and nozzle.
8. If vacuum cleaner is not working as it should, or has been dropped, damaged, left outdoors, or immersed in water, please contact support@turbro.com for replacement.

CHECK THE ACCESSORIES BEFORE TURNING ON THE VACUUM:

9. Make sure that all filters are thoroughly dry after routine cleaning.
10. Make sure brush and dust cup, and filter are in place after routine maintenance.
11. Make sure accessories are free of blockages and keep openings away from face and body.
12. Use only TURBRO filters and accessories. Using other brands will void warranty.

GENERAL USE:

13. Keep the vacuum cleaner moving over the carpet surface at all times to avoid damaging the carpet fibers.
14. Keep nozzle away from hair, face, fingers, uncovered feet, or loose clothing.
15. DO NOT place vacuum cleaner on unstable surfaces such as chairs or tables.
16. DO NOT use with any opening blocked; keep free of dust, lint, hair, and anything that may reduce airflow.
17. DO NOT use without dust cup door and filter.
18. DO NOT use if airflow is restricted; if the air paths or the nozzle become blocked, turn off the vacuum cleaner and remove battery. Clear all obstructions before returning battery to vacuum and powering on again.
19. DO NOT use or store it below 32°F. Store the appliance indoors. Ensure the appliance is at room temperature before operating.

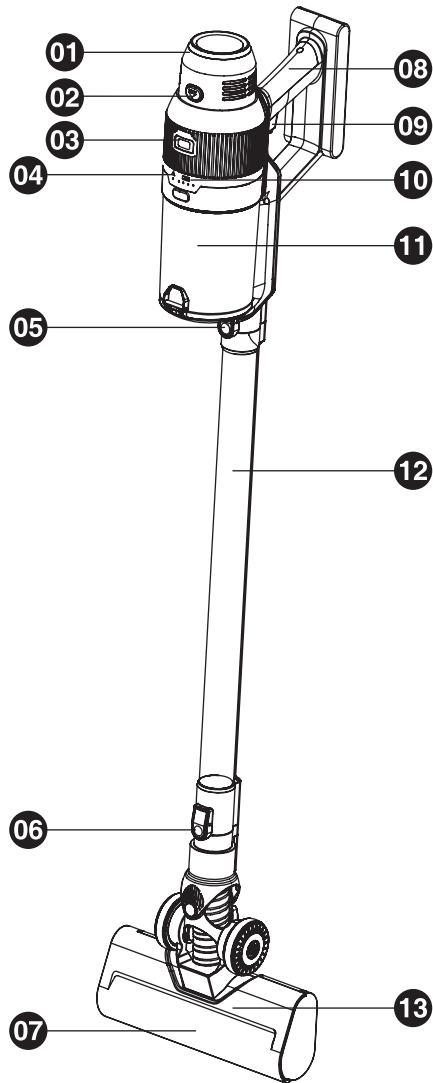
IN CLEANING:

20. DO NOT vacuum up hard or sharp objects such as glass, nails, screws, or coins that could damage the vacuum cleaner.
21. DO NOT vacuum up smoking or burning objects such as hot coals, cigarette butts, or matches.
22. DO NOT vacuum up flammable or combustible materials (e.g., lighter fluid, gasoline, or kerosene) or use vacuum in areas where they may be present.
23. DO NOT vacuum up toxic solutions (e.g., chlorine bleach, ammonia, or drain cleaner).
24. DO NOT use in an enclosed space where vapors are present from paint, paint thinner, moth-proofing substances, flammable dust, or other explosive or toxic materials.
25. DO NOT vacuum up any liquids.

BATTERY PACK:

26. The battery pack is the power source for the appliance. When the battery pack is connected to the appliance, DO NOT carry the appliance with your finger on the power button. DO NOT charge appliance with the power on.
27. Disconnect the battery pack from the appliance before making any adjustments or troubleshooting.
28. Use appliance only with specifically designated batteries. Use of any other battery packs may create a risk of injury and fire.
29. When battery pack is not in use, keep it away from all metal objects, such as paper clips, coins, keys, nails, or screws. Shorting the battery terminals together increases the risk of fire or burns.
30. Under abusive conditions, liquid may be ejected from the power pack. Avoid contact with liquid, as it may cause irritation or burns. If contact occurs, flush with water. If liquid contacts eyes, seek medical help.
31. DO NOT expose power pack or appliance to fire or temperature above 266°F as it may cause explosion.
32. DO NOT modify or attempt to repair the appliance or the power pack yourself.
33. Battery pack should not be stored at temperatures below 32°F or above 113°F to maintain long term battery life.
34. Battery pack should not be exposed to or submerged in any water, salt water, or other liquids.

Main Unit and Accessories



01 Battery Pack

02 Battery Pack Release Button

03 Speed Switch

04 Brush Indicator

05 Wand Release Button

06 Brush Head Release Button

07 Dust Search LED Light

08 Handle

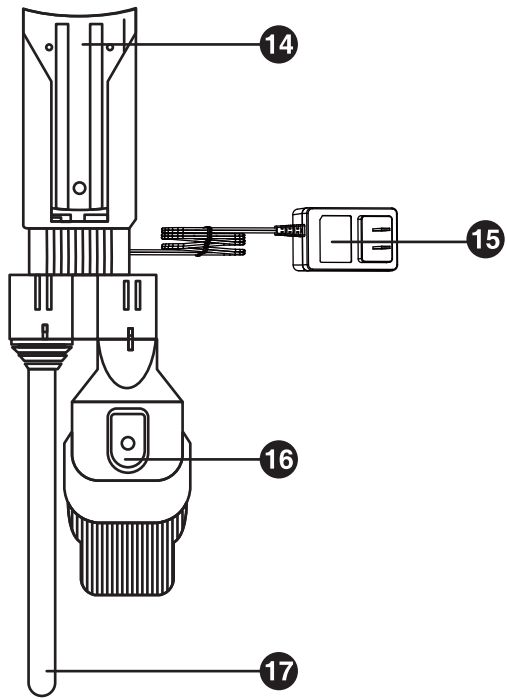
09 Power Switch

10 Battery Indicator

11 Dust Cup

12 Aluminum Wand

13 Motorized Floor Brush Head

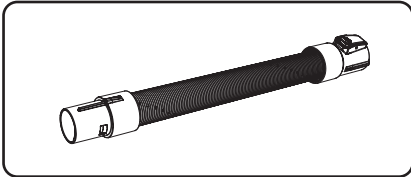


14 Charging Dock (Wall Bracket)

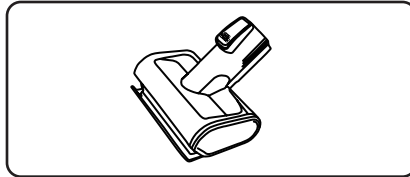
15 Adapter

16 2-in-1 Cleaning Brush

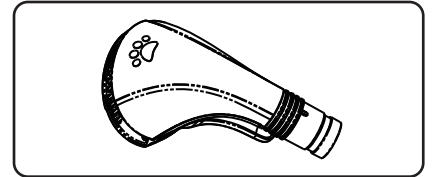
17 Crevice Nozzle



Flexible Hose (Optional)

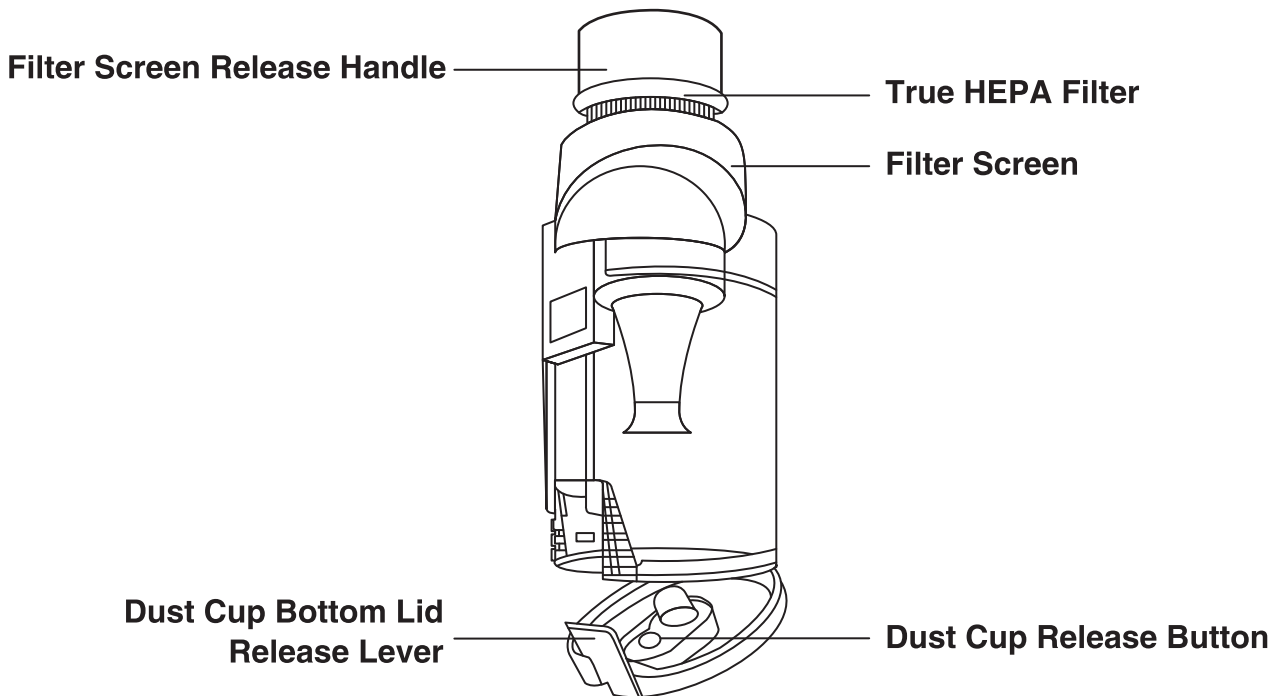


UV Sterilizer Brush (Optional)



Pet Brush (Optional)

Dust Cup Structure



Assembly and Use

Charge the Vacuum Cleaner

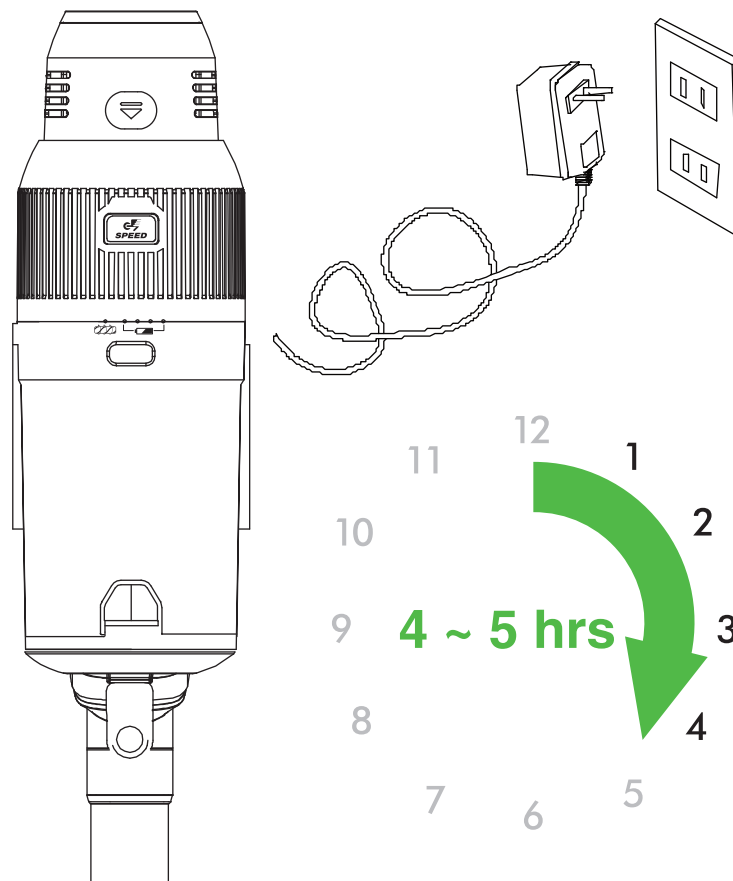
CAUTION

The vacuum cleaner must be switched off before charging.

NOTE: *The rechargeable battery is not fully charged upon delivery. Please charge the appliance up fully before using it for the first time.*

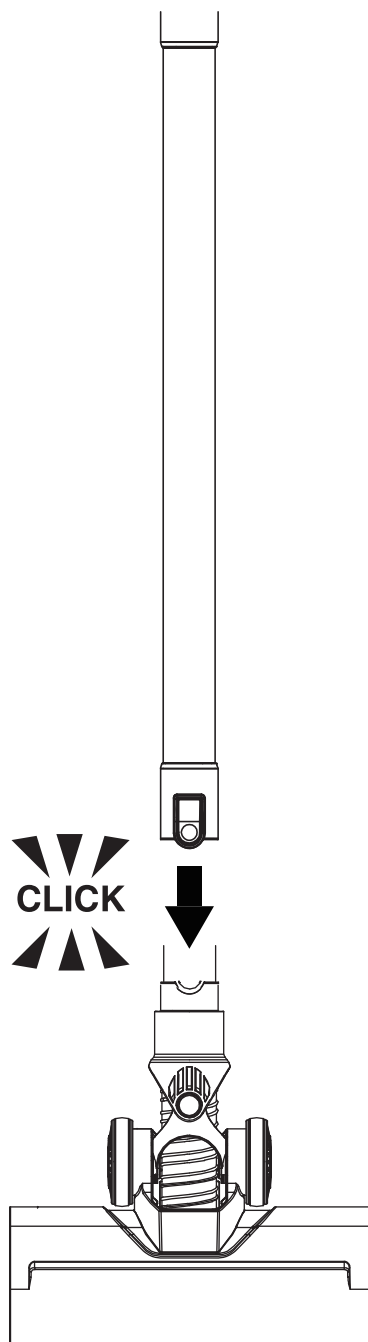
Charge the Vacuum Cleaner:

- Plug the adapter to the socket.
- The LED indicator light flashes while it is in charge.
- The LED indicator light stops flashing when the battery is fully charged.

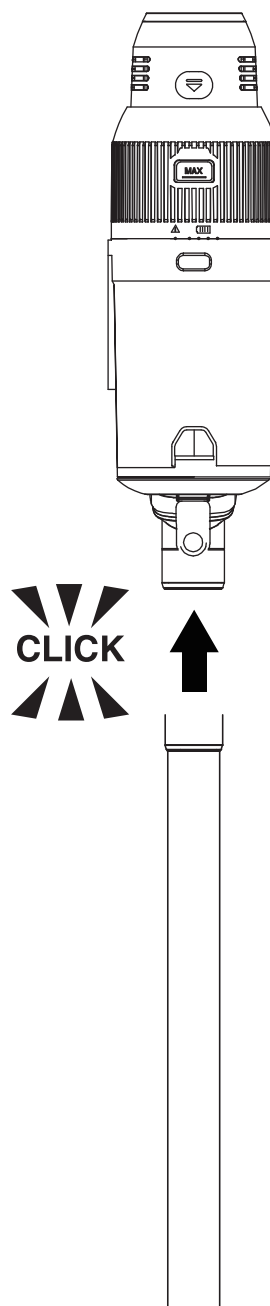


Assembling the Vacuum Cleaner

STEP 1



STEP 2



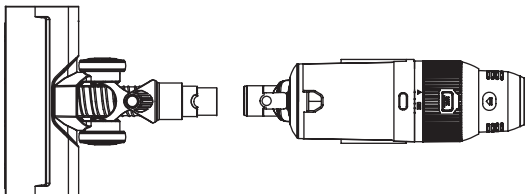
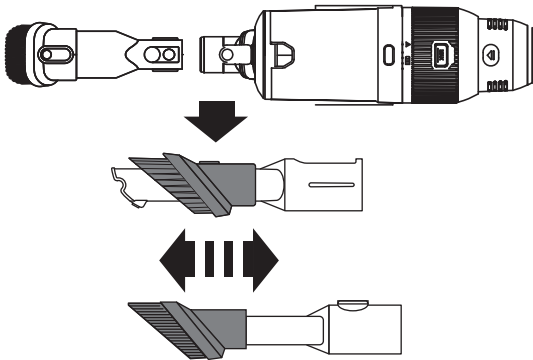
STEP 1: Insert the wand into the motorized floor brush head, pressing it in until it clicks securely into place.

STEP 2: Insert the handheld vacuum into the top of the wand, press it in until it clicks securely into place.

Use the Vacuum Cleaner for Floors Cleaning

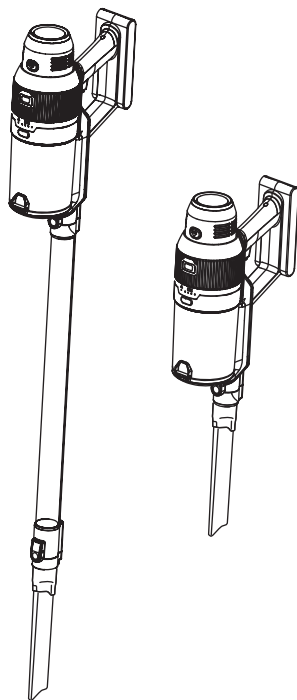
1. Install the battery pack onto the handheld vacuum until you hear a 'click' sound.
2. To start vacuuming, press the power switch once, the battery LED Indicator lights up.
3. Using the motorized floor brush, glide back and forth on the area to be cleaned. If you need a high intensive cleaning, press the SPEED button switching to high suction. Avoid oversized or sharp items (such as screws) with cleaner.
4. Twist wrist to engage swivel function.
5. The LED dust searchlight on the motorized floor brush illuminates the dust in the dark. Easy to track the dust and check the cleanness in the dark area.
6. When done, press the power button once to stop motor.

Use the Handheld Vacuum with the Accessories

| Usage Scenario | | Assembly |
|--|--|--|
| <p>No wand connected is recommended for your work bench, over-size sofa, bed...</p> |  | <p>Press the wand release button, then disassemble the aluminum wand and insert the floor brush head (or UV brush) directly.</p> |
| <p>The 2-in-1 cleaning brush is suitable for narrow gaps cleaning and upholstered surface cleaning, such as corners, baseboard edges, dryer vents, chairs and sofas.</p> |  | <p>STEP-1: Insert the 2-in-1 cleaning brush into the handheld vacuum.</p> <p>STEP-2: As your need, pulled 2-in-1 cleaning brush forward or backward to switch between the nozzle and brush nozzle.</p> |

Usage Scenario

The crevice nozzle is suitable for cleaning dust beneath furniture or car seat, side of the refrigerator, around radiators or vents, long-reach cleaning such as ceiling, curtain and etc.



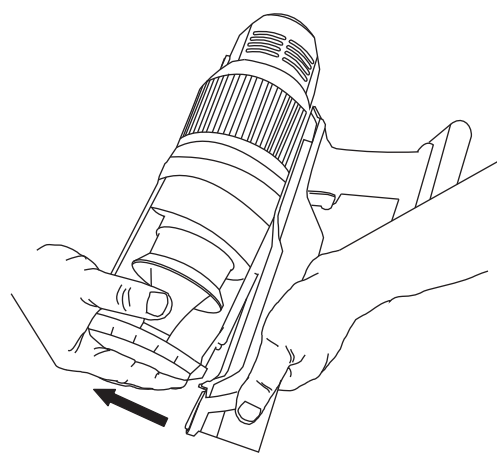
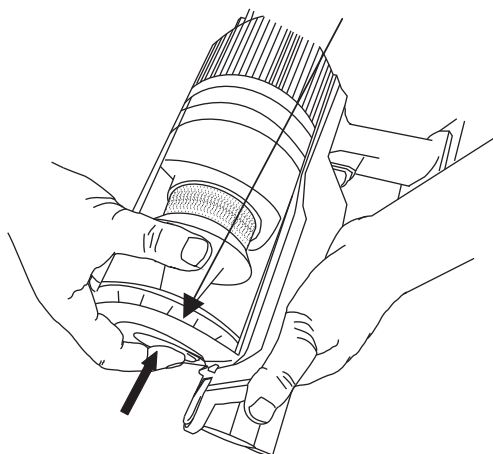
Assembly

Insert the crevice nozzle to the handheld vacuum directly. Or extend it with the wand for long-reach cleaning.

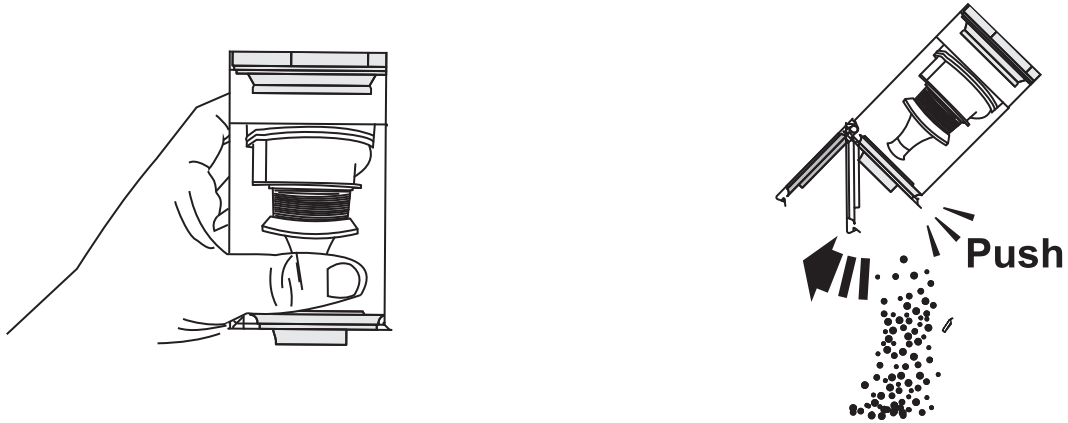
Clean and Maintenance

Empty the Dust Cup:

- Press dust cup release button on the dust cup bottom lid and remove dust cup from the handheld vacuum.

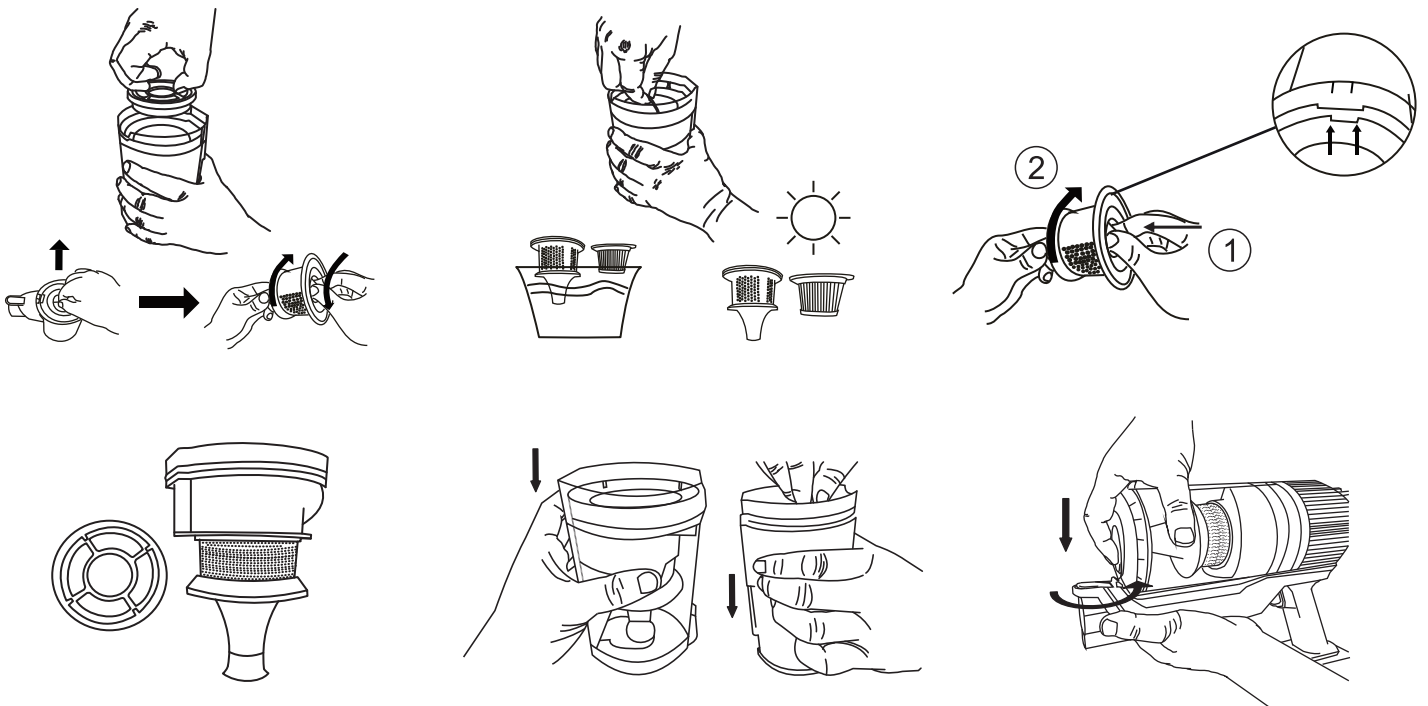


- Hold the dust cup over the wastebasket, and push the lever to release the bottom lid of the dust cup to empty the litter.



Clean the Dust Cup and the Filters (Recommend to clean the HEPA filter once at least every month):

- Open the dust cup cover and take out the filter screen out of the dust cup, then you can clean them with a soft brush and wash it with only water to prevent damage from cleaning chemicals. Allow it to air dry completely before replacing it into the handheld vacuum to prevent liquid from being drawn into electric parts.
- Take out the filter and clean it by soft brush or rinse it with water and dry them completely before reassembly. All the filters are washable. (Note: When feeling the suction power becoming weak, please try to clean the filters.)

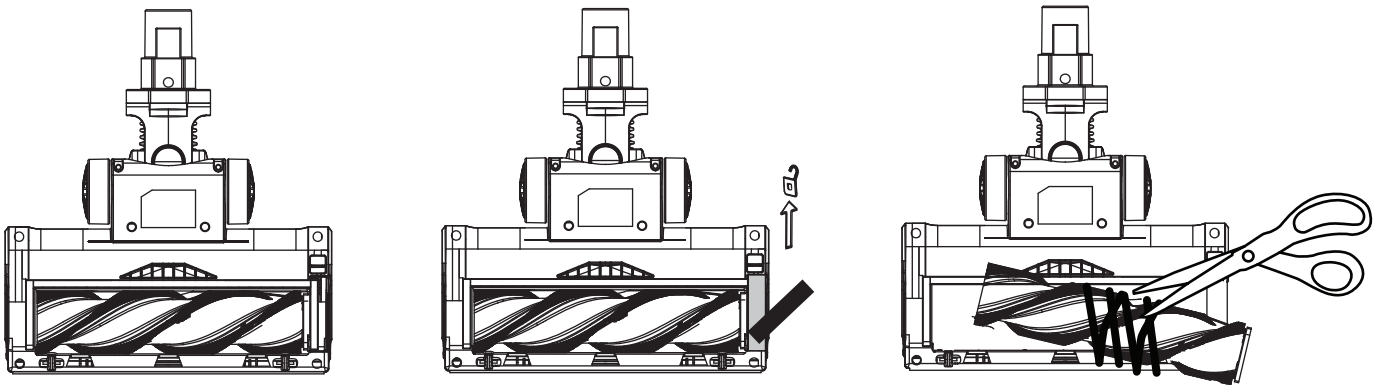


CAUTION

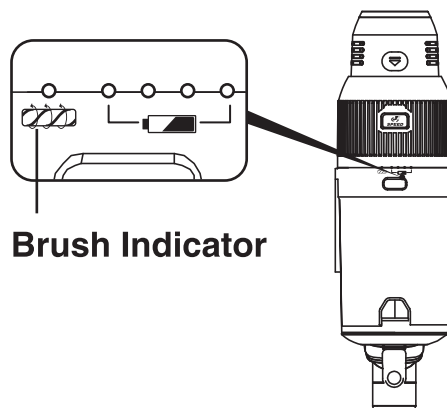
Please reassemble all the parts after cleaning. Never operate vacuum cleaner without all filters, filter screen and dust cup in proper position.

Clean the Floor Brush Head (Recommend to clean frequently):

- Remove the floor brush head from the vacuum cleaner by pressing the brush head release button.
- Slide the lock button slightly. Take out the brush roller by hand. If necessary, carefully remove dirt / hair with a pair of scissors. Wash brush roller with water. Roll in a towel to absorb water and dry it completely before reassembling.



CAUTION



Brush indicator lights on continuously under normal circumstances. If the brush roll is entangled in debris, the brush indicator will blink. When this happens, please turn off the vacuum cleaner and clean the brush. Or check if any other abnormal of the brush.

TROUBLESHOOTING

| Problem | Reason | Solution |
|----------------------------|---|---|
| Does not work | <ul style="list-style-type: none">● The battery may be out of electricity | <ul style="list-style-type: none">● Make sure cleaner is fully powered.● Push charger securely into electrical outlet, try another outlet or check circuit breaker. |
| Not enough suction power | <ul style="list-style-type: none">● The Dust Cup may be full● Lack of battery power | <ul style="list-style-type: none">● Empty dust cup and clean or change the filters. See the Clean and Maintenance instructions.● Make sure cleaner is fully powered. Charge battery.● Remove clogs that restrict the airflow. |
| Dust leaks from the vacuum | <ul style="list-style-type: none">● Dust cup is full.● The dust filter, dust cup or cup bottom lid may not be completely assembled | <ul style="list-style-type: none">● Empty dust cup.● Check if there is dust caught between the lid of the dust making the cover not completely locked. |
| Brush roll will not turn | <ul style="list-style-type: none">● The brush roll is entangled in debris. | <ul style="list-style-type: none">● Check brush roll for debris. See the Clean and Maintenance instructions. |

CAUTION

Thermal Cut-off:

This vacuum cleaner has a special thermostat that protects the vacuum cleaner in case of motor overheating. If the vacuum suddenly shuts off, proceed as follows:

- 1) Check the vacuum for a possible source of overheating such as a full dust cup, blocked and or clogged filters. If these conditions are found, fix them and wait at least 30 minutes before attempting to use the vacuum.
- 2) After the 30 minute period, press the power button. If the vacuum cleaner still does not work, email the TURBRO Customer Service at support@turbro.com.

WARRANTY

TURBRO 2-YEAR LIMITED WARRANTY

What is covered?

TURBRO's warranty covers manufacturing and material defects for a period of 2-year from date of purchase, subject to the following conditions and limitations:

- This unit must be installed and operated at all times in accordance with the instructions furnished with the product. Any alteration, willful abuse, accident, or misuse of the product shall nullify this warranty.
- This warranty is non-transferrable, and is made to the original owner, provided that the purchase was made through an authorized supplier of the manufacturer. This warranty is limited to the repair or replacement of part(s) found to be defective in material or workmanship, provided that such part(s) have been subjected to normal conditions of use and service, and after said defect is confirmed by the manufacturer's inspection.
- The manufacturer may, at its discretion, fully discharge all obligations with respect to this warranty by refunding the wholesale price of the defective part(s)

What is NOT covered?

- Damage caused by the owner when attempting to fix or alter the product.
- Damage caused by misuse, abuse, neglect, alterations, or unauthorized repair.
- Battery discharge time shrinks due to aging over-use.
- Natural depreciation.

How to request warranty services?

For warranty services, leave a message online www.turbro.com, or send an email to support@turbro.com.

Our Customer Service Team will address your issue within 48 hours, usually sooner.

What will TURBRO do?

- Repair the item.
- Replace the item if not repairable.
- Refund the item under certain circumstances.

ALL EXPRESSED AND IMPLIED WARRANTIES, INCLUDING THE WARRANTY OF MERCHANTABILITY, ARE LIMITED TO THE PERIOD OF THE LIMITED WARRANTY.

Website: www.turbro.com

Contact us: support@turbro.com

TURBRO

DISPOSAL



This product must not be disposed of via normal household waste after its service life. It must be taken to a collection station that recycles electrical and electronic devices. The symbol on the product, the operating instructions, and the packaging indicate such disposal procedures. The materials are recyclable in accordance with their respective symbols. By means of re-use, material recycling, or any other form of recycling old appliances, you are making an important contribution to the protection of our environment.



© 2019 Katmai Technology Limited

www.turbro.com

support@turbro.com



PAP 22

