

Limited Warranty

DAEWOO

Winiadaewoo Electronics America, Inc. warrants the following Refrigerators to be free from defective material and workmanship and agrees to remedy any such defect or to furnish a new part (at the Company's option) in exchange for any part of any unit of its manufacture which under normal installation, use and service disclosed such defect, provided the unit is delivered by the owner to us or to our authorized distributor from whom purchased or authorized service station, intact, for our examination with all transportation charges prepaid to our factory. To establish and receive warranty service at our factory or authorized service facilities, a sales receipt or bill of sales is required for proof of purchase.

Written authorization must be obtained before any merchandise is returned to the factory.

This warranty does not extend to any of our electronic products which have been subjected to misuse, neglect, accident, incorrect wiring not our own, improper installation, unauthorized modification, or to use in violation of instructions furnished by us, nor units which have been repaired or altered outside of our factory, nor to cases where the serial number there of has removed, defaced, or changed.

This warranty is in lieu of all warranties expressed or implied and no representative or person is authorized to assume for us any other liability in connection with the sales of our electronic products.

For units that are initially defective.

Initial defective is described as when the dealer opens the unit and finds that it is inoperative or an individual customer opening a new unit and finding that it is initially defective. This unit may be returned to the factory by the dealer for exchange. Under no circumstances will an individual customer be permitted to return defective unit directly to factory. Exchange must be directly with the dealer. When this unit is returned to dealer, a copy of the purchase evidence stating the date of purchase is to be put in the individual box for dealer's further control with the factory.

<u>MODEL</u>	<u>PARTS</u>	<u>LABOR</u>	<u>COMPRESSOR</u>
Refrigerator	1 year	1year	5years

Model : FR-044RCNW/FR-044RCNM/FR-044RCNR/FR-044RCNB/FR-044RCNC/FR-044RCNL

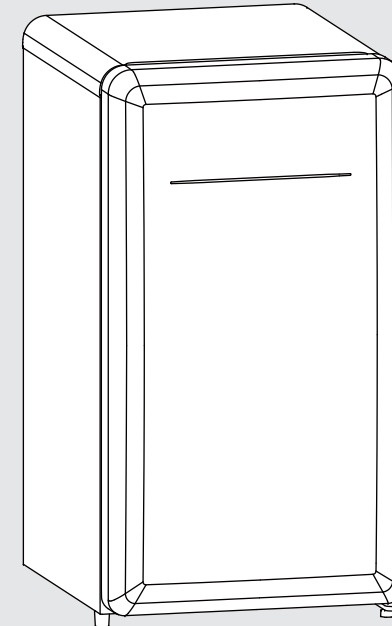
Note: For Service or Assistance, please call : 1-877-DWE-ASC5, 1-877-DWE-SVC3

DAEWOO

REFRIGERATOR INSTRUCTION MANUAL

Model No.

**FR-044RCNW/FR-044RCNM
FR-044RCNR/FR-044RCNB
FR-044RCNC/FR-044RCNL**





- Before using this refrigerator, please read this manual carefully.
- Always remove the drip tray while this refrigerator is running.
- Removing the drip tray will enhance the cooling power and save your electric cost.
- Blowing Agent : CYCLO-PENTANE.

Code: U124ES-04

WARNING/SAFETY PRECAUTIONS

To avoid any risk of personal injury, material damage or incorrect use of the appliance, be sure to observe the following safety precautions. (After reading these owner's instructions, please keep them in a safe place for reference).

Remember to hand them over to any subsequent owner.

 WARNING	Indicates that a danger of death or serious injury exists
 CAUTION	Indicates that risk of personal injury or material damage exists

WARNING

Do not plug several appliances into the same sockets.
 • This could cause overheating and the risk of fire.

Keep the power plug away from the rear of the fridge.
 • A damaged power plug may cause fire due to overheating.

Do not directly spray water inside or outside the fridge .
 • There is a risk of fire or electric shock.

Do not bend the power cord excessively or place heavy articles on it.
 • This constitutes a fire hazard. If the power cord is damaged, have it replaced immediately by the manufacturer, its service agent or a similarly qualified person.

Do not insert the power plug with wet hands.
 • You may receive an electric shock.

Do not put a container filled with water on top of the appliance.
 • If the water spills on to any electrical parts, it may lead to fire or electric shock.

Do not store volatile and flammable substances in the refrigerator.
 • The storage of benzene, thinner, alcohol, ether, LP gas or other such substances may cause an explosion.

Do not disassemble, repair or alter the appliance.
 • It may cause fire or abnormal operations, which may lead to injury.
 Pull the power plug out of the socket before replacing the interior light in the refrigerator.
 • Otherwise, there is a risk of electric shock.
 • Only the customer service Approved Repair Agent may change the power cord and carry out any other repairs.
 Improper Installations and repairs may put the user at considerable risk.

Be sure to earth the appliance.
 • Otherwise, it may cause material damage and electric shock.

If you wish to dispose of the fridge, throw it away after removing the door or its seals.

Keep ventilation openings in the appliance enclosure or in the built-in structure, clear of obstruction.

Do not use mechanical devices or other means to accelerate the defrosting process, other than those recommended by the manufacturer.

CAUTION

Do not store too much food in the appliance.

- When you open the door, an item may fall out and cause personal injury or material damage.

If the wall socket is loose, do not insert the power plug.

- It may cause electric shock or fire.

Do not disconnect the power cord by pulling on it.

- You may disconnect a wire and cause a short circuit.

Do not store pharmaceutical products, scientific material or other temperature-sensitive products in the refrigerator.

- Products that require strict temperature controls must not be stored in the refrigerator.

Do not let a child hang from the door.

- It may cause injury or damage the appliance.

Remove any foreign matter from the power plug pins.

- Otherwise, there is a risk of fire.

Do not put your hand into the bottom area of appliance.

- Any sharp edges may cause personal injury.

After unplugging the appliance, wait for at least five minutes before plugging it again to the wall socket.

- It may cause abnormal operation.

If the appliance is not be used for a long period of time, pull out the power plug.

- Any deterioration in the insulation may cause fire.

CAUTION

- R-600a or R-134a is used as a refrigerant. Check the compressor label or the rating label to see which refrigerant is used for your refrigerator.

When this product contains flammable gas(R-600a), please be aware of followings;

- Keep ventilation openings, in the appliance enclosure or in the built-in structure, clear of obstruction.
- Do not damage the refrigerant circuit.

And contact your local authorities in regard to the safe disposal of this product.

Ensure that none of the pipes on the back of the appliance are damaged prior to disposal.

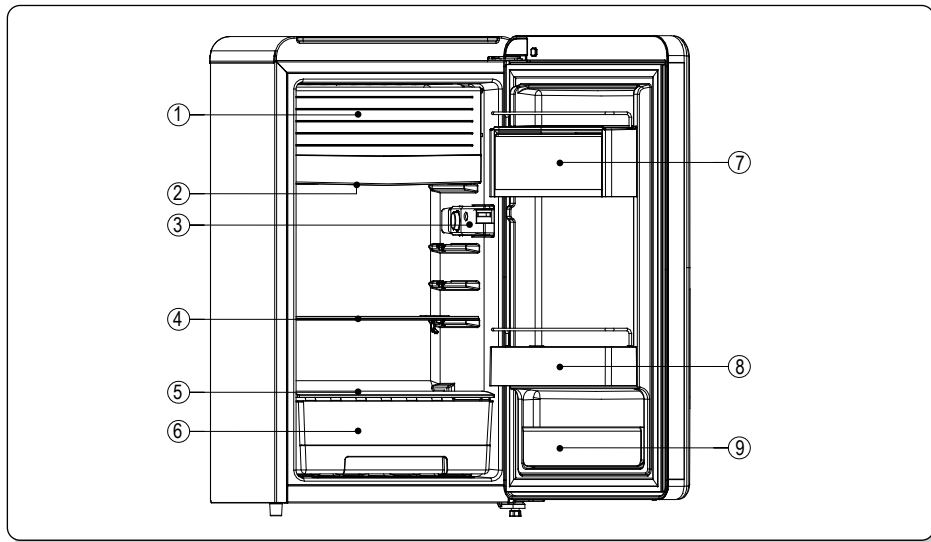
- Do not allow children to play with this appliance.

- C-Pentane is used as an insulation blowing gas.

The flammable insulation blowing gases require special disposal procedure. Please contact your local authorities in regard to the environmentally safe disposal of this product.

- This appliance is not intended for use by persons (including children) with reduced physical, sensory or mental capabilities, or lack of experience and knowledge, unless they have been given supervision or instruction concerning use of the appliance by a person responsible for their safety.

NAMES OF THE PARTS



1. EVAPORATOR

The heart of the refrigerator.

It evaporates the refrigerant fluid and thereby absorbs heat from the surrounding. Made of pure aluminum.

2. DRAIN PAN (Use of Defrost Only)

Discards the water that drips of the evaporator when defrosting.

3. CONTROL BOX :

Regulates the operation of the motor and controls the inside temperature of the refrigerator.

4. SHELF

Has full width and can slide out.

5. COVER CASE VEGETABLE has full width and can slide out.

6. CASE VEGETABLE

for vegetables and fruits.

7. MULTI POCKET for cans or jars.

8. BOTTLE RACK for bottles, cans or jars.

9. POCKET TILT for cheeses.

HOW TO OPERATE

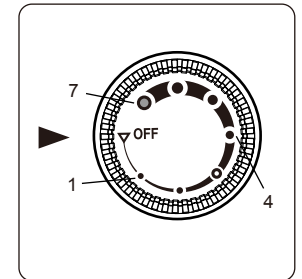
Starting your new Refrigerator

1. Clean the refrigerator thoroughly. Wipe the outside with a soft dry cloth, the inside with a damp cloth.
2. Keep the door open and insert the power supply cord into the socket.
3. Turn the thermostat dial to "7". Close the door and let the refrigerator operate for 15-20 minutes.

The freezer should then show some traces of frost.

Temperature control

You can control the inside temperature by turning the thermostat dial. Higher numbers mean greater cooling power, smaller numbers mean less cooling power. To make ice cubes in the freezer compartment, set the dial to "7". The dial does not have to be set exactly on the numbers, but can be any place in between.



NOTE : Wait 3 to 5 minutes before restarting if you unplug the machine. Unit may fail to operate properly if restarted too quickly.

How to defrost

Defrost the refrigerator when the frost accumulated on the evaporator is about 5 mm (1/5 inch) thick.

Set the thermostat dial to "OFF". Remove foods. Keep drip tray in place. Defrosting usually takes a few hours. To defrost quickly remove all foods from the refrigerator and leave door open. Never use a knife or other metal instrument to remove ice/frost from the evaporator.

After defrosting empty water from drip tray, return the thermostat dial to the desired position to start refrigerating again.

HOW TO CLEAN

Cleaners: The cleaners noted below are available.

Never use harsh, abrasive cleaners, heavy-duty cleaners, or solvents on any surface.

Exterior: Wipe with damp, sudsy cloth, rinse and dry.

For stubborn stains and for periodic waxing, use silicon wax.

Evaporator: When refrigerator needs defrosting turn thermostat dial to "OFF".

Do not use sharp instruments.

Refrigeration Section: Wash shelves and other removable parts in warm sudsy water, rinse and dry.

Wash interior with baking soda solution (3 table spoons to one quart of water) or warm sudsy water, rinse and dry.

Magnetic Door Seals: Wash with warm sudsy water.

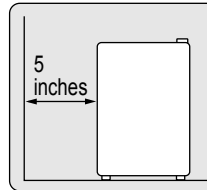
The Finishing Touch: Replace all parts and return thermostat dial to desired setting.

HOW TO INSTALL

• Install refrigerator in a convenient location away from extreme heat and cold. Allow sufficient clearance between the refrigerator and side wall so the door will open for a fully usable interior. Refrigerator is not designed for recessed installation.

• Select a place with strong level floor.

• Allow 5 inches of space between the refrigerator's side and the wall.



HOW TO LEVEL

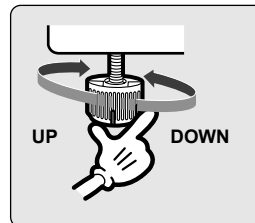
If the front of the appliance is slightly higher than the rear, the door can be opened and closed more easily.

1. The appliance tilts up to the left.

Turn the left adjusting leg in the direction of the arrow until the appliance is level.

2. The appliance tilts down to the right.

Turn the right adjusting leg in the direction of the arrow until the appliance is level.



WHAT TO DO...

1. When out of operating for a long time:

- Remove the power supply cord.
- Dry your refrigerator opening the door for 2-3 days.

2. When you get ready to move:

- Securely fasten removable interior parts (or move and package them separately)
- Do not lay your refrigerator horizontally, or compressor may be damaged.

When you need service: Before you call for service make sure you need it, check a few things noted below for yourself first.

If refrigerator is not operating:

- Is the power supply cord unplugged?
- Is home fuse blown or circuit breaker off?

If refrigerator is warmer than usual:

- Has the door been open frequently or for a long period?
- Is refrigerator overcrowded-preventing good air circulation?
- Is the hot thing stored without cooling?
- Is the clearance between refrigerator's side and the wall allowed sufficiently?

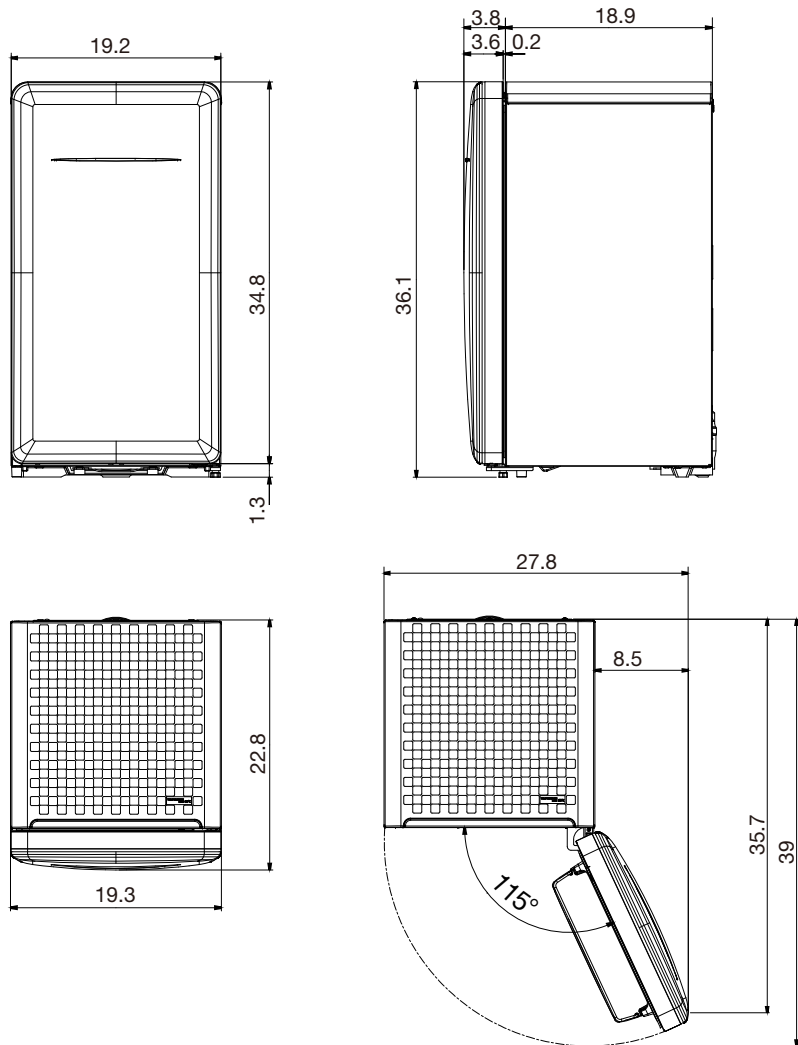
If there are unusual sounds:

- Is refrigerator placed on the level?
- Are foreign objects behind the refrigerator?
- Are dishes on refrigerator shelves vibrating?
If so, rearrange the dishes.

If the supply cord is damaged, it must be replaced by the manufacturer or its service agent or a similarly qualified person in order to avoid a hazard.

DIMENSIONES

Storage	4.4 cu. ft
weight	Product: 59.5 lb / Packing: 66.1 lb
Size (W X D X H)	19.3 X 22.8 X 36.1 inch



Ambient Room Temperature Limits

This appliance is designed to operate in ambient temperature specified by its temperature class marked on the rating plate.

Temperature Class	Symbol	Range of Ambient Temperature F
Extended Temperate	SN	+50 to +89.6
Temperate	N	+60.8 to +89.6
Subtropical	ST	+60.8 to +100.4
Tropical	T	+60.8 to +109.4

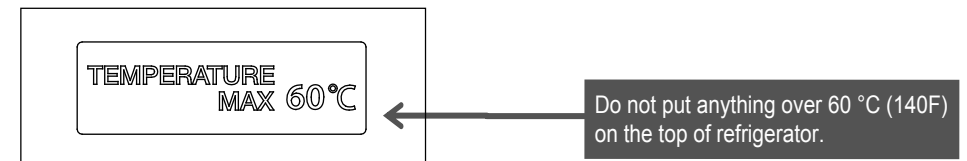
NOTE : The internal temperature may be affected by such factors as the location of the appliance, ambient temperature and the frequency with which you open the doors. Adjust the temperature as required to compensate for these factors.

Put the newly introduced food inside.

Most power failures that are corrected in an hour and two will not affect your refrigerator temperatures. However, you should minimize the number of door openings while the power is off. But should the power failure last more than 24hours, remove all frozen food.

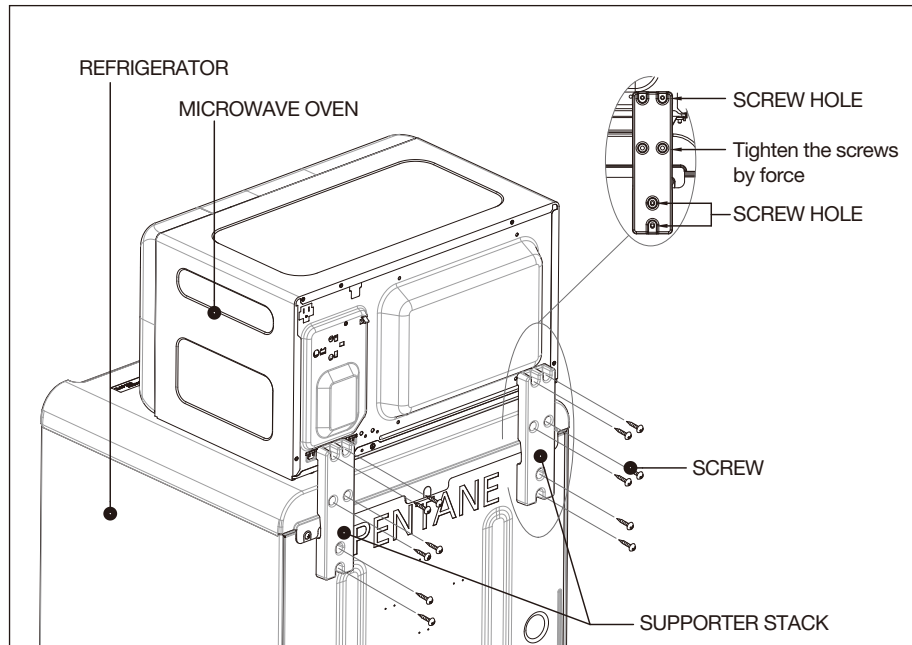
When you plan not to operate(during average length vacations), remove all food, disconnect the power cord, clean the interior thoroughly, and leave each door OPEN to prevent door formation.

Option: The keys are kept out of the reach of children and not in the vicinity of the refrigerating appliance, in order to prevent children from being locked inside



HOW TO ASSEMBLE WITH MICROWAVE OVEN

- Place the microwave oven in the center of refrigerator, and align the each back sides
- Place the SUPPORTER STACKs to fit the rear screw holes and tighten twelve screws.
(There are two SUPPORTER STACKs. Left and right.)
- Two middle holes of SUPPORTER STACK have no screw holes on the refrigerator.
(Tighten the screws by force)
- Bracket and screws are sold separately.
- Retro Combo Microwave Oven Models : KOR-7LRUEM/KOR-7LRUEW



NOTE :

- Refrigerator will not operate when the microwave oven is working.
When the microwave is finished, the refrigerator will operate again.
- If the Microwave Oven is unplugged, the refrigerator does not operate.
- If your oven does not operate properly, unplug it from the 120 volt household outlet and then plug it back in.
This unit is not designed for 50Hz or any circuit other than 120 volt / 60Hz AC current.

Garantía limitada

DAEWOO

Winiadaewoo Electronics America, Inc. Garantiza los siguientes refrigerador compactos para estar libre de defectos de material y mano de obra y se compromete a remediar cualquier defecto y proveer partes de servicio (con discreción de la Compañía) a cualquier unidad que revele algún defecto. Siempre que la unidad se entrega por el propietario a nuestro centro autorizado de servicio. Para recibir establecer y recibir servicio en garantía por nuestro centro de servicio, un recibo de venta o se requiere la factura de compra como prueba de compra.

Autorización por escrito debe ser obtenido antes de cualquier mercancía se devuelve a la fábrica.

Esta garantía no se extiende a cualquiera de nuestros productos electrónicos que han sido objeto de mal uso, negligencia, accidente, manipulación del cableado, instalación incorrecta, modificación no autorizada, o uso en violación de las instrucciones proporcionadas por nosotros, ni tampoco se le extiende a las unidades que han sido reparadas o alterada fuera de nuestro centro de servicio, ni a los casos donde no se ha quitado de el número de serie, borrado o modificado.

Esta garantía está en lugar y expresas o implícitas nuestra responsabilidad. Ningún representante o persona está autorizada a asumir ninguna otra responsabilidad en relación con las ventas de nuestros productos electrónicos.

Durante el intercambio de unidades que son defectuoso. Esta unidad puede ser devuelta al distribuidor para el intercambio. Bajo ninguna circunstancia se permitirá que un cliente individual para devolver la unidad defectuosa directamente a fábrica. Exchange debe ser directamente con el distribuidor. Cuando esta unidad se devuelva al distribuidor, una copia de la prueba de compra indicando la fecha será necesaria.

<u>MODELO</u>	<u>PARTS</u>	<u>LABOR</u>	<u>COMPRESOR</u>
Refrigerador Compacto	1 año	1 año	5 años

Modelo: FR-044RCNW/FR-044RCNM/FR-044RCNR/FR-044RCNB/FR-044RCNC/FR-044RCNL

Nota: La lista de centros de servicio está cambiando constantemente, con la adición de nuestros centros de servicio calificado actuales. Si hay insuficiente o ningún centro de servicio en su area, porfavor llamar a servicio al cliente de DAEWOO con el número de telefónico gratuito.
1-877-DWE-SVC3(1-877-393-7823)

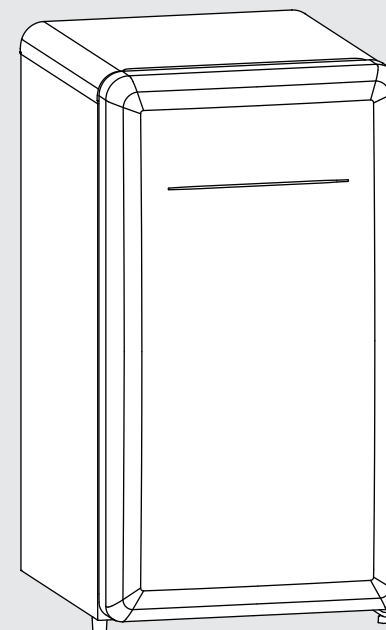
DAEWOO

REFRIGERADOR

MANUAL DE USUARIO

Modelo



FR-044RCNW/FR-044RCNM
FR-044RCNR/FR-044RCNB
FR-044RCNC/FR-044RCNL



■ GRACIAS POR SU PREFERENCIA
ANTES DE UEAR SU REFRIGERADOR FAVOR DE LEER ESTE
MANUAL DE USUARIO.

INSTRUCCIONES DE SEGURIDAD

Para evitar descargas eléctricas, lesiones personales, daños materiales por un uso incorrecto del equipo, favor de leer y comprender estas medidas de seguridad. (Después de leer este manual de usuario, favor de conservarlo para futuras referencias.)

 ADVERTENCIA	Indica la existencia de peligro, daños serios o la muerte
 CUIDADO	Indica la existencia de riesgo de daños personales o materiales

ADVERTENCIA

No conecte varios dispositivos en la misma toma eléctrica.

- Esto puede causar un sobrecalentamiento o causar fuego.

Mantenga el cable de alimentación lejos de la parte trasera del refrigerador.

- Un cable de alimentación dañado puede causar fuego o un sobrecalentamiento.

No rocíe agua directamente en el interior o exterior del refrigerador.

- Esto puede causar fuego una descarga eléctrica.

No doble el cable de alimentación en exceso, no coloque objetos pesados sobre el cable de alimentación.

- Esto puede causar fuego. Si el cable de alimentación está dañado, solicite que un centro de servicio o personal técnico calificado lo reemplace por uno nuevo.

No conecte el cable de alimentación con las manos húmedas.

- Usted puede recibir una descarga eléctrica.

No coloque recipientes con agua en la parte superior del equipo.

- Si el agua es salpicada en partes eléctricas, esto puede causar fuego o una descarga eléctrica.

No almacene sustancias inflamables en su refrigerador.

- Almacenar sustancias como benceno, tiner, alcohol, ether, gas LP pueden causar una explosión.

No trate de reparar, desarmar o alterar su refrigerador.

- Esto puede causar fuego o generar un funcionamiento anormal, causando lesiones.
- Desconecte el cable de alimentación antes de cambiar la luz interior del refrigerador.
- De otro modo puede causar fuego o descarga eléctrica.
- Soló personal técnico calificado puede realizar el cambio del cable de alimentación y dar el correcto mantenimiento.
- Una instalación o reparación incorrecta puede causar un riesgo considerable al usuario.

Asegúrese de conectar a tierra su refrigerador.

- De otro modo, esto puede causar daños materiales o una descarga eléctrica.

- Si desea desechar su refrigerador, primero retire las puertas y los sellos del refrigerador.
- Mantenga los orificios de ventilación libres de obstáculos para una adecuada ventilación.
- No use dispositivos mecánicos o de otro tipo para acelerar el proceso de descongelación, solo si son los recomendados por el fabricante.

CUIDADO

No almacene alimento en exceso dentro del refrigerador.

- Cuando se abra la puerta, los alimentos pueden caer causando daños materiales o personales.

Si el contacto de energía eléctrica está dañado, no conecte su refrigerador.

- Esto puede causar una descarga eléctrica o fuego.

No desconecte el cable de alimentación, tirando de él.

- Esto puede causar un corto circuito.

No almacene medicamentos o productos sensibles a la temperatura dentro del refrigerador.

- Estos productos requieren de un estricto control de temperatura y no deben ser almacenados en un refrigerador doméstico.

No permita que los niños se cuelguen de la puerta.

Retire todo objeto extraño en las espigas (patas) de la clavija.

- De otro modo puede causar fuego.

No coloque sus manos dentro de la parte inferior de su refrigerador.

- Los bordes filosos pueden causar lesiones personales.

Después de desconectar su refrigerador, espere 5 min antes de volver a conectar a la toma eléctrica.

- Puede causar una operación anormal en el congelador o daños materiales.

Si su refrigerador no es usado por periodos largos de tiempo desconecte el cable de alimentación.

- Un deterioro en el aislamiento pueden provocar un incendio.

CUIDADO

Refrigerante R-600a o R-134a puede ser usado en su equipo. Revise la etiqueta trasera del equipo para ver que tipo de refrigerante utiliza su refrigerador.

Cuando el equipo contiene gas inflamable (R-600a), favor de estar consiente de lo siguiente:

- Mantenga la ventilación abierta, en el área cercana del equipo o en la estructura del equipo.
- No dañe el sistema de refrigeración.

Contacte a las autoridades locales para cuando deseche este producto.

Asegúrese que ninguna tubería de la parte trasera del equipo este dañada antes de desechar.

NO permita que los niños jueguen con el equipo.

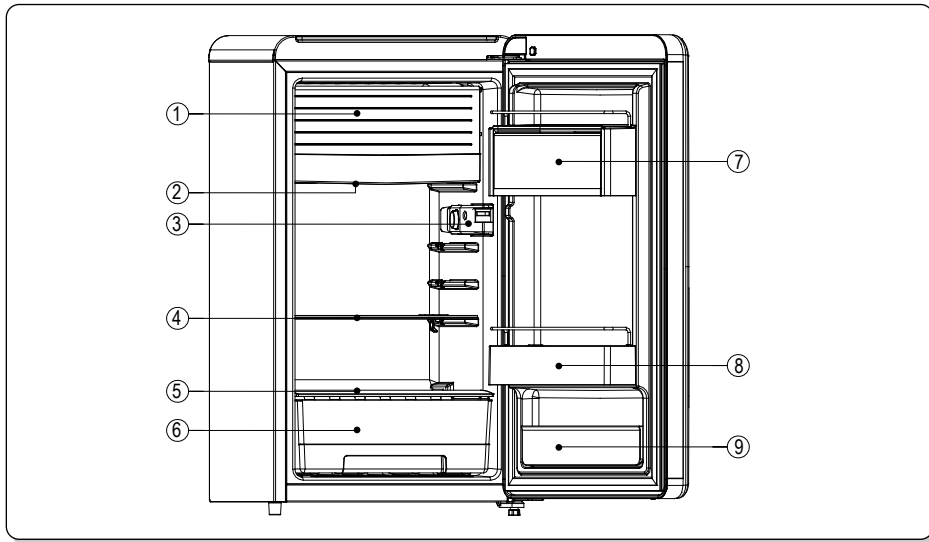
El C-Pentano se usa como un gas explosivo de aislamiento.

Su refrigerador usa refrigerantes y gases que requieren un proceso de eliminación especial.

Asegúrese que el servicio de recolección de basura tenga cuidado al desechar su refrigerador.

El aparato no se destina para usarse por personas (incluyendo niños) cuyas capacidades físicas, sensoriales o mentales estén reducidas, o carezcan de experiencia o conocimiento, a menos que dichas personas reciban la supervisión o capacitación para el funcionamiento del aparato por una persona responsable de su seguridad. Los niños deben supervisarse para asegurar que ellos no empleen los aparatos como juguete.

NOMBRE DE PARTES



1. EVAPORADOR “COOLING KEEPER”

El corazón del refrigerador. Se evapora el refrigerante y por lo tanto se absorbe calor de los alrededores. Es fabricado por aluminio.

2. BANDEJA DE DRENAJE (Use solo al descongelar)

Para el agua que gotea del evaporador cuando se descongela.

3. CAJA DE CONTROL

Controla la operación del motor y controla la temperatura interior del refrigerador.

4. PARRILLA

Es del ancho del refrigerador y puede deslizarse hacia afuera.

5. CUBIERTA DEL CAJÓN DE VEGETALES

Es del ancho del refrigerador y puede deslizarse hacia afuera.

6. CAJÓN DE VEGETALES

Para vegetales y frutas.

7. ANAQUEL “MULTI KEEPER”

Para latas o jarras

8. ANAQUEL DE BOTELLAS

Para botellas, latas o jarras

9. ANAQUEL “SECRET SLIM”

Para vegetales

COMO HACERLO FUNCIONAR

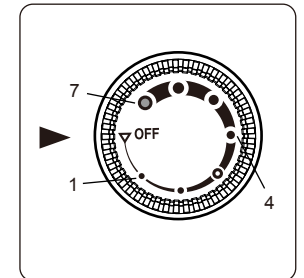
MANEJO DE SU NUEVO REFRIGERADOR

1. Limpie completamente su refrigerador. Limpie el exterior con un paño suave y seco, el interior con un paño suave y húmedo.
2. Mantenga la puerta cerrada y conecte el cable de alimentación en la toma de energía.
3. Gire la perilla de control a la posición “7”. Cierre la puerta y deje el refrigerador operar 15-20 minutos.

CONTROL DE TEMPERATURA

Usted puede controlar la temperatura interior girando la perilla de control. El número más alto significa mayor poder de enfriamiento, un número menor significa un menor poder de enfriamiento.

Para poder hacer cubos de hielo en el congelador, ajuste la perilla en posición 7. La perilla no tiene que estar ajustada exactamente en la marca del número, pero si la puede colocar en cualquier posición entre las marcas.



NOTA: Espere entre 3 y 5 minutos antes de reiniciar el refrigerador si lo tuvo que desconectar. Se puede causar un mal funcionamiento si se reinicia rápidamente.

COMO DESCONGELAR

Descongele el refrigerador cuando la escarcha acumulada en el evaporador sea por más de 5mm.

Ajuste la perilla de control en la posición “OFF”. Retire todos los alimentos del interior. El descongelamiento usualmente se realiza en pocas horas.

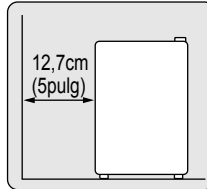
Para un descongelamiento rápido retire todos los alimentos del interior y mantenga la puerta abierta. Nunca use cuchillos u objetos filosos para remover el hielo del evaporador. Después del descongelado, regrese la perilla de control a la posición deseada para iniciar la operación del refrigerador nuevamente.

LIMPIEZA DE SU REFRIGERADOR

- Limpiadores:** Los limpiadores mencionados más adelante pueden ser utilizados. Nunca use limpiadores abrasivos, ásperos fuertes o solventes en ninguna superficie.
- Exterior:** Limpie con un paño suave y húmedo con jabón neutro, enjuague y seque. Para la suciedad persistente y enceramiento periódico use cera de silicona.
- Evaporador:** Cuando el refrigerador necesite ser descongelado, gire la perilla de control la posición "OFF". No use instrumentos puntiagudos.
- Sección de refrigeración:** Lave los anaqueles y otras partes removibles en agua jabonosa tibia, enjuague y seque. Lave el interior con una solución de bicarbonato de sosa (3 cucharas de esta solución por un cuarto de agua) o agua jabonosa tibia, enjuague y seque.
- Sello magnético:** Lave con agua jabonosa tibia.
- El toque final:** Vuelva a colocar todas las partes y ajuste la perilla de control en la posición deseada.

INSTALANDO SU REFRIGERADOR

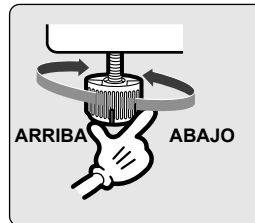
- Instale el refrigerador en una ubicación conveniente lejos de fuentes que emitan calor y frío extremo. Permita que haya espacio libre suficiente entre el refrigerador y la pared, de manera que la puerta se abra completamente para usar el interior del refrigerador sin problemas. Este equipo no está diseñado para una instalación de empotre.
- Seleccione un lugar con un piso estable y bien nivelado.
- Deje 5 pulgadas de espacio entre el refrigerador y la pared.
- El contacto de energía eléctrica debe ser accesible sin mover el equipo.



NIVELANDO SU REFRIGERADOR

Si la parte frontal del equipo es ligeramente más alta que la parte trasera, la puerta abrirá con mayor facilidad.

1. El equipo se inclina hacia arriba y a la izquierda. Gire la pata ajustable de la izquierda en dirección de la flecha hasta nivelar el equipo.
2. El equipo se inclina hacia abajo y a la derecha. Gire la pata ajustable de la derecha en dirección de la flecha hasta nivelar el equipo.



QUE HACER CUANDO...

1. Cuando no se opera en un periodo de tiempo prolongado

- Desconecte el cable de alimentación.
- Seque su refrigerador abriendo la puerta por 2-3 días.

2. Cuando desee cambiar de ubicación

- Asegure las partes internas del refrigerador (o retirelas y empaque por separado).
- No coloque el refrigerador en forma horizontal o el compresor se puede dañar.

Cuando necesite de un servicio técnico:
Antes de llamar al servicio técnico asegúrese de necesitarlo, revise los siguientes puntos usted mismo.

Si el refrigerador no opera:

- ¿El cable de alimentación esta desconectado?
- ¿El fusible del interruptor general esta en buen estado?

Si el refrigerador está más caliente que lo usual:

- ¿La puerta ha sido abierta frecuentemente o por un periodo de tiempo extenso?
- ¿El refrigerador esta sobre cargado de tal forma que no se permite una correcta circulación del aire?
- ¿Hay algo caliente almacenado sin enfriar?
- ¿El espacio entre los costados del refrigerado y la pared es el suficiente?

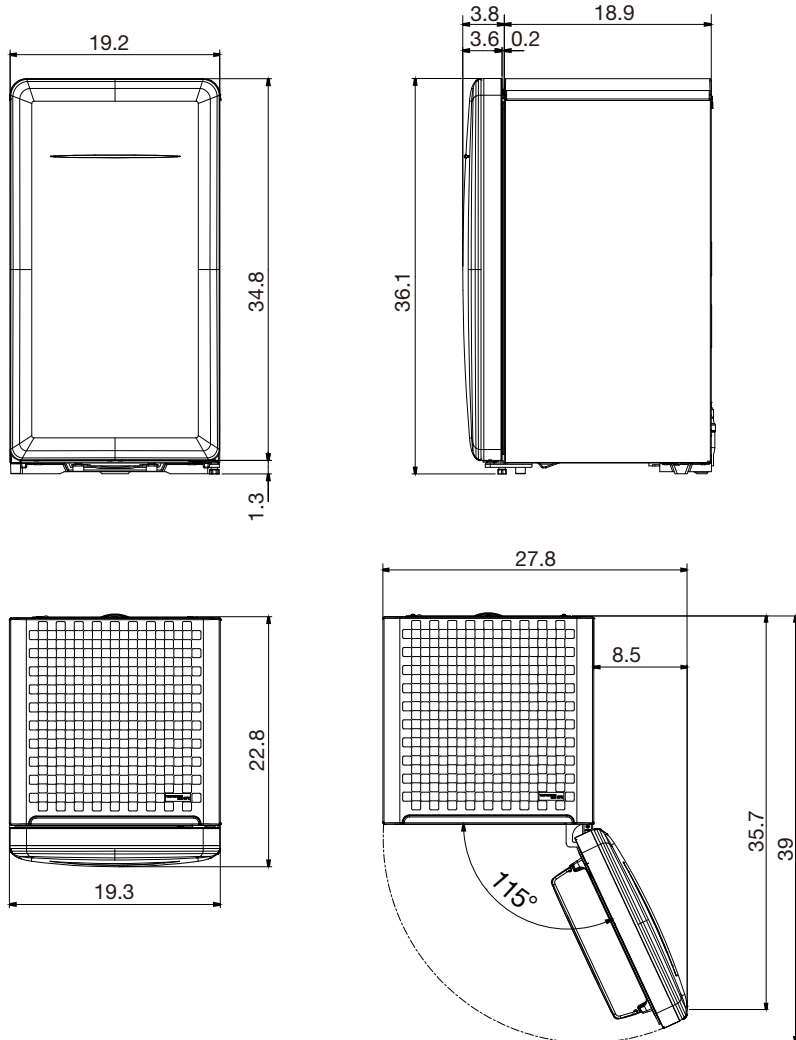
Si se escuchan ruidos inusuales:

- ¿El refrigerador ha sido colocado en una superficie plana y nivelada?
- ¿Hay objetos extraños atras del refrigerador?
- ¿Hay platos en las charolas del refrigerador vibrando?
- Si esto sucede, reacomode los platos.

Si el cable de alimentación esta dañado, debe ser remplazado por uno nuevo suministrado por el fabricante o por personal técnico calificado para evitar daños.

ESPECIFICACIONES

CAPACIDAD	4.4 cu. ft
PESO (aprox.)	59.5 lb
DIMENSIONES (aprox.)	19.3 X 22.8 X 36.1 inch



Límites de temperatura ambiente

Este equipo es diseñado para operar en un ambiente de temperatura especificado por su clase temperatura indicada en la etiqueta de especificaciones.

Clasificación de Temperatura	Símbolo	Rango de temperatura ambiente F
Temperatura Extrema	SN	+50 to +89.6
Temperatura	N	+60.8 to +89.6
Subtropical	ST	+60.8 to +100.4
Tropical	T	+60.8 to +109.4

NOTA: La temperatura interna puede verse afectada por factores tales como la ubicación del aparato, la temperatura ambiente y la frecuencia con la que se abren las puertas. Ajuste la temperatura según sea necesario para compensar estos factores

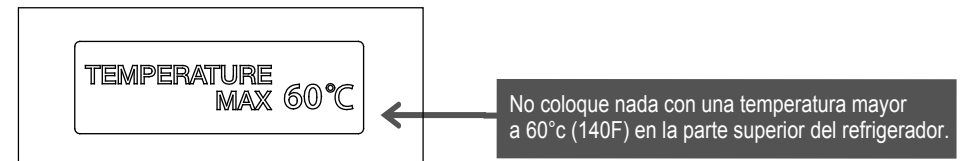
Coloque nuevamente los alimentos en el interior.

La mayoría de las fallas en el suministro eléctrico que son corregidas entre 1 y 2 horas no afectan la temperatura de su refrigerador. Sin embargo usted debe de minimizar el número de veces en que abre las puertas mientras no hay suministro eléctrico. Pero si el corte de alimentación es por más de 24 horas, retire todos los alimentos congelados del interior.

Cuando no use su equipo por periodos largos de tiempo por ejemplo en vacaciones, retire todos los alimentos del interior y desconecte el cable de suministro eléctrico, limpie el interior y deje las puertas abiertas para evitar que se formen malos olores.

Opcional:

Para modelos con cerradura con llave, guarde las llaves fuera del alcance de los niños para evitar que jueguen y queden encerrados en el interior.



Cómo conectar el refrigerador al microondas

El microondas se puede conectar al refrigerador a trave.....

1. Coloque el microondas encima del refrigerador y alinee la parte trasera
2. Alinee el soporte (conector) detrás de los dos productos y fíjelo en su lugar con los tornillos incluidos.
3. Arme a la fuerza los dos orificios en el medio del soporte ya que hay un orificio de atornillado separado en el refrigerador.

* El soporte y los tornillos se venden por separado. Modelos retro combinados del horno de microondas : KOR-7LRUEM/KOR-7LRUEW

