

Kwikset® Door Hardware Product Guide

Over 60 years of quality in every lock

Kwikset, – Here you'll find everything from knobs in a range of styles and finishes to quality, solid-forged entry handlesets. The line includes single- and double-cylinder deadbolts, one-sided deadbolts for residential and light commercial applications, plus three knob designs, and two newly redesigned solid-forged handlesets.

All are easy to install in three simple steps and reversible to install on left- or right-handed doors.

Kwikset is positioned to offer quality products at a value. The platform was created with the following core values in mind:

- Security
- Value
- Convenience

Kwikset Signature, – Kwikset Signature offers a differentiated product platform providing our customer with leadership security and quality, unique style and finishes and innovative products from our SmartSeries™ product line - SmartScan™, SmartCode™ and SmartKey™.

Product Warranty - Warranties cover the original residential user of Kwikset/Black & Decker® Products against defects in material and workmanship done as long as the original user occupies the residential premises upon which the product was originally installed. This warranty does not cover abused or misused products or non-commercial products used in commercial applications. Upon return of a defective Product to Kwikset Corporation, Kwikset shall either replace the Product or refund the purchase price, at our discretion. If a covered defect occurs, call 1800-327-LOCK (5625) in the U.S. and Canada, or return it to Kwikset Corporation, Consumer Services, 19701 DaVinci, Lake Forest, CA 92610. A finish deterioration occurring from the use of paints, solvents, or other chemicals is not a defect in the finish and is not covered by this warranty. Kwikset is not liable for incidental or consequential damages. Some states do not allow for the exclusion or limitation of incidental or consequential damages, so the above exclusion may not apply to you. This warranty gives you specific legal rights, and you may also have other rights that vary from state to state.

Kwikset

- Lifetime Mechanical Warranty
- 5-Year Finish Warranty (Lifetime on LO3)

Kwikset Signatures

- Lifetime Mechanical Warranty
- 10-Year Finish warranty (Lifetime on LO3)
- 1-Year Electric

Miscellaneous

Substitution of non-Kwikset parts, and any alteration or modifications of factory parts, and other lock manufacturers parts may result in door hardware which does not function properly or will fail and will void all warranties.

Finishes

Description	US Codes	BHMA Codes
Polished Brass	3	605
Lifetime Polished Brass	LO3	605E
Antique Brass	5	609
Oil-Rubbed Bronze	10B	613E/690
Venetian Bronze	11P	N/A
Satin Nickel	15	619
Antique Nickel	15A	620
Polished Chrome	26	625
Satin Chrome	26D	626
Bright Stainless Steel	32	629
Satin Stainless Steel	32D	630
Rustic Bronze	501	
Rustic Pewter	502	
Iron Black	514	

Standards - Kwikset meets or exceeds the testing requirements specified for each product grade or rating.

- American National Standards Institute (ANSI)
- Builders Hardware Manufacturers Association (BHMA)
- Underwriters Laboratories, Inc. (UL)
- ADA (Americans with Disabilities Act)

Patent Indemnity

We agree to defend any suit or proceeding brought against our customer so far as based on claim that our products, or any part thereof, made solely to our specifications and furnished to our customer, constitute an infringement of any U.S. patent, if notified promptly in writing and given authority, information, and assistance at our expense for the defense of same, and we shall pay all damages and costs awarded therein against our customer. In case our products, or any part thereof, are in such suit held to constitute infringement and their use is enjoined, we will, at our expense and discretion, either procure for our customer the right to continue using the products or replace same with non-infringing products, or modify them so they become non-infringing or remove such products and refund the purchase price (less depreciation, prorated from the purchase date). The foregoing state our entire liability for patent infringement by our products or any part thereof.

Underwriters Laboratories Listed Locksets:



To meet Underwriters Laboratories' fire rating requirements UL listed locksets, UL listed latches, and UL listed strikes must be used together.

American with Disabilities Act:



Products displaying this symbol comply with the Americans with Disabilities Act of 1990.



Top Notch Distributors, Inc.

East – Pennsylvania
800-233-4210
Fax 800-854-4146

Midwest – Missouri
800-211-4607
Fax 800-211-4608

Southwest – Texas
866-693-6903
Fax 866-693-6904

West – Nevada
800-722-4210
Fax 800-248-3620

Kwikset® Knobs

Cove (CV)		Finishes						
		BHMA Finish Codes						
Model	Function	3 605	5 609	11P	15 619	26D 626		
200	Hall/Closet	•	•	•	•	•		
300	Bed/Bath	•	•	•	•	•		
400	Entry	•	•	•	•	•		
488	Half Dummy	•	•	•	•	•		

Polo (P)		Finishes								
		BHMA Finish Codes								
Model	Function	3 605	5 609	11P	15 619	15A 620	26 625	26D 626		
200	Hall/Closet	•	•	•	•	•	•	•		
300	Bed/Bath	•	•	•	•	•	•	•		
400	Entry	•	•	•	•	•	•	•		
401	Entry (Free Interior)	•			•					
450	Vestibule	•								
488	Half Dummy	•	•	•	•	•	•	•		
604	Interior Pack	•	•	•	•	•	•	•		

Tylo (T)		Finishes					
		BHMA Finish Codes					
Model	Function	3 605	5 609	26 625	26D 626		
200	Hall/Closet	•	•	•	•		
300	Bed/Bath	•	•	•	•		
400	Entry	•	•	•	•		
401	Entry (Free Interior)	•	•		•		
488	Half Dummy	•	•	•	•		

Phoenix (PE)		Finishes						
		BHMA Finish Codes						
Model	Function	3 605	5 609	11P	15 619	26D 626		
720	Hall/Closet	•	•	•	•	•		
730	Bed/Bath	•	•	•	•	•		
740	Entry	•	•	•	•	•		
788	Half Dummy	•	•	•	•	•		



Top Notch Distributors, Inc.

East – Pennsylvania
800-233-4210
Fax 800-854-4146

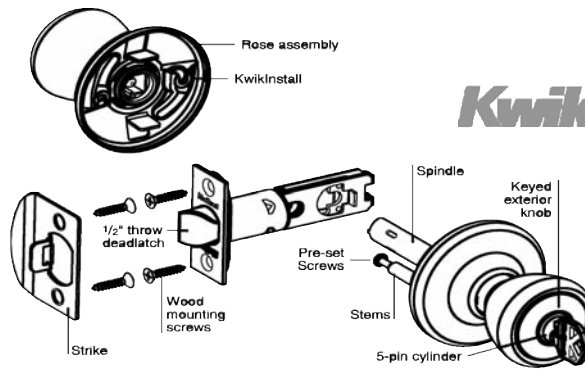
Midwest – Missouri
800-211-4607
Fax 800-211-4608

Southwest – Texas
866-693-6903
Fax 866-693-6904

West – Nevada
800-722-4210
Fax 800-248-3620

Kwikset® Knobs

400 Tylo®



KwikInstall

Specifications


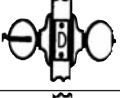

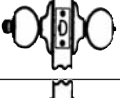
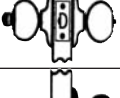

Door Prep:	Crossbore: 2 ¹ / ₈ ", Edge Bore: 1", Latch face 1" x 2 ¹ / ₄ "
Backset:	6 way adjustable latch
Door Thickness:	1 ³ / ₈ " to 1 ³ / ₄ " doors standard; 2 ¹ / ₄ " doors optional on 200 and 400 functions only.
Cylinder:	5-pin.
Faceplates:	1" x 2 ¹ / ₄ " square corner and Round corner options available.
Strikes:	2 ¹ / ₄ " full-lip square corner and Round corner options available.
Door Handing:	Reversible for right- or left-handed doors.
Bolt:	1/2" throw for all functions.
ANSI/BHMA:	A156.2 Grade 3.

Available Options Model

Item/Description

See Strikes:	Strike options available.
81706:	2 ¹ / ₄ " thick door screw pack for 100 , 200 , 400 and 401 functions.
KA:	Keyed Alike (KA). Additional keying options available.

*Tylo knob design is a registered trademark.

Model / ANSI	Function and Description
200 F75	 Passage/Hall/Closet: Both knobs always free.
300 F76	 Privacy/Bed/Bath: Both knobs locked or unlocked by turnbutton inside. Outside knob unlocked by emergency key.
400 F82	 Entry: Both knobs locked or unlocked by key outside or turnbutton inside.
401 F81	 Entry: Outside locked or unlocked by key outside or turnbutton inside. Inside always free.
450 F86	 Storeroom/Vestibule: Outside unlocked only while key is turned. Inside always free.
488	 Half Dummy Trim, Surface mounted: For doors where only a pull is required. No operation.



Top Notch Distributors, Inc.

East – Pennsylvania
800-233-4210
Fax 800-854-4146

Midwest – Missouri
800-211-4607
Fax 800-211-4608

Southwest – Texas
866-693-6903
Fax 866-693-6904

West – Nevada
800-722-4210
Fax 800-248-3620

Kwikset® Levers

Delta (DL)		Finishes BHMA Finish Codes										
Model	Function	L03 605E	3 605	5 609	11P	15 619	15A 620	26 625	26D 626			
200	Hall/Closet		•	•				•	•	•		
300	Bed/Bath		•	•				•	•	•		
400	Entry	•	•	•				•	•	•		
405	Keyed Entry Lever		•	•				•	•	•		
406	Keyed Entry Lever		•							•		
409	Keyed Lever UL		•									
412	Keyed Vestibule Lever UL									•		
413	Keyed Entry Lever UL		•							•		
420	Hall/Closet UL									•		
462	Keyed Vestibule Lever		•					•		•		
488	Half Dummy		•	•				•	•	•		

Dorian (DNL)		Finishes BHMA Finish Codes										
Model	Function	L03 605E	3 605	5 609	11P	15 619	15A 620	26 625	26D 626			
200	Hall/Closet		•	•	•	•	•	•	•	•		
300	Bed/Bath		•	•	•	•	•	•	•	•		
400	Entry	•	•	•				•	•	•		
405	Keyed Entry Lever		•	•	•	•	•	•	•	•		
406	Keyed Entry Lever		•					•	•			
488	Half Dummy		•	•	•	•	•	•	•	•		



Top Notch Distributors, Inc.

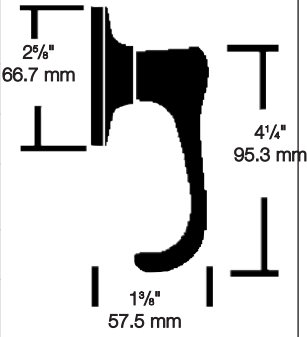

East – Pennsylvania
800-233-4210
Fax 800-854-4146

Midwest – Missouri
800-211-4607
Fax 800-211-4608

Southwest – Texas
866-693-6903
Fax 866-693-6904

West – Nevada
800-722-4210
Fax 800-248-3620

Kwikset® Levers

Balboa (BL)		Finishes						
		BHMA Finish Codes						
Model	Function	3 605	5 609	11P 619	15 619	26D 626		
200	Hall/Closet	•	•	•	•	•		
300	Bed/Bath	•	•	•	•	•		
405	Keyed Entry Lever	•	•	•	•	•		
488	Half Dummy	•	•	•	•	•		
604	Interior Pack for Kwikset handleset	•	•	•	•	•		
966	Interior Pack for Kwikset Signature Series handleset	•	•	•	•	•		



Top Notch Distributors, Inc.

East – Pennsylvania
800-233-4210
Fax 800-854-4146

Midwest – Missouri
800-211-4607
Fax 800-211-4608

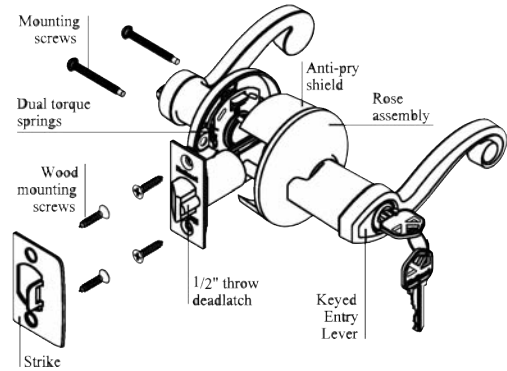
Southwest – Texas
866-693-6903
Fax 866-693-6904

West – Nevada
800-722-4210
Fax 800-248-3620

www.topnotchinc.com

sales@topnotchinc.com

Kwikset® Levers



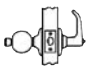

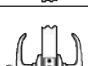

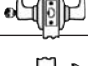


Specifications

Door Prep:	Crossbore: 2 ¹ / ₈ " , Edge Bore: 1" , Latch face 1" x 2 ¹ / ₄ "
Backset:	6 way adjustable latch. UL 2 ³ / ₈ " standard, 2 ³ / ₄ "
Door Thickness:	1 ³ / ₈ " to 1 ³ / ₄ " doors standard; 2 ¹ / ₄ " doors optional on 200 and 400 functions only.
Cylinder:	5-pin. SmartKey on the Balboa .
Faceplates:	1" x 2 ¹ / ₄ " square corner and Round corner options available.
Strikes:	2 ¹ / ₄ " full-lip square corner and Round corner options available.
Door Handing:	Specify right- or left-hand door for Lido and Tustin levers. All other models are non handed.
Bolt:	1/2" throw for all functions.
ANSI/BHMA:	A156.2 Grade 3.

Available Options

Model	Item/Description
See Latches:	Adjustable latches, SCAL, RCAL or 2 ³ / ₈ " or 2 ³ / ₄ " WFL
See Strikes:	Strike options available.
81706:	2 ¹ / ₄ " thick door screw pack.
KA:	Keyed Alike (KA). Additional keying options available.
ADA:	Function 200, 406, 412, 413, 462 and 488 satisfy section 4.13.9 ADA requirements.

Model / ANSI	Function and Description
200 / 420UL F75	 Passage/Hall/Closet: Both levers always free.
300 F76	 Privacy/Bed/Bath: Both levers locked or unlocked by turnbutton inside. Outside lever unlocked by emergency Key.
400 F82	 Entry: Both sides locked or unlocked by key outside or turnbutton inside.
405 / 409UL F82	 Keyed Entry Lever: Both sides locked or unlocked by outside or turnbutton inside.
406 / 413UL F81	 Keyed Entry Lever: Outside locked or unlocked by key outside or turnbutton inside. Inside always free.
462/412UL F86	 Storeroom/Vestibule: Outside unlocked only while key is turned. Inside always free.
488 Int.	 Half Dummy Trim, Surface Mounted: For doors where only a pull is required. No operation.



Top Notch Distributors, Inc.

East – Pennsylvania
800-233-4210
Fax 800-854-4146

Midwest – Missouri
800-211-4607
Fax 800-211-4608

Southwest – Texas
866-693-6903
Fax 866-693-6904

West – Nevada
800-722-4210
Fax 800-248-3620

Kwikset® Deadbolts 600 Series



660/665 Deadbolts		Finishes BHMA Finish Codes								
Model	Function	3 605	5 609	11P 619	15 620	15A 625	26 626			
660	Single Cylinder	•	•	•	•	•	•	•		
665	Double Cylinder	•	•	•	•	•	•	•		

One Sided deadbolts		Finishes BHMA Finish Codes							
Model	Function	3 605	5 609	11P 619	15 620	15A 626	26D 626		
663	Thumbturn One Side	•	•	•	•	•	•	•	
667	Thumbturn One Side with exterior plate	•	•	•	•	•	•	•	
664	Retrofit Kit for 663							•	
677	Thumbturn One Side with exterior plate UL	•	•					•	

Combo Packs		Finishes BHMA Finish Codes			
Model	Function	3 605	5 609	26D 626	
690T	Tylo 400 Entry w/660 Single Cylinder Deadbolt	•	•	•	



Top Notch Distributors, Inc.

East – Pennsylvania
800-233-4210
Fax 800-854-4146

Midwest – Missouri
800-211-4607
Fax 800-211-4608

Southwest – Texas
866-693-6903
Fax 866-693-6904

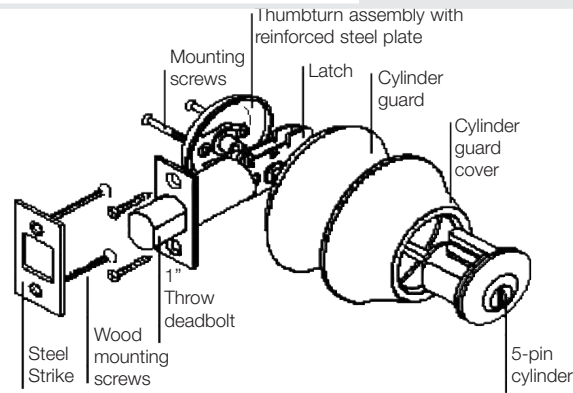
West – Nevada
800-722-4210
Fax 800-248-3620

www.topnotchinc.com

sales@topnotchinc.com

Kwikset® Deadbolts 600 Series

Kwikset

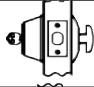
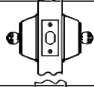
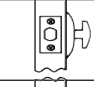
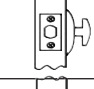
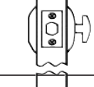
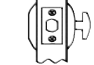


Specifications

Door Prep:	660, 665: Crossbore 2 1/8". Edge Bore: 1"; Latch Face: 1" x 2 1/4". 663: Crossbore 1 5/8". Edge Bore: 1"; Latch Face: 1" x 2 1/4". 667: Crossbore 2 1/8" or 1 1/2". Edge Bore: 1"; Latch Face: 1" x 2 1/4".
Backset:	660, 665, 667: Square corner 2 3/8" or 2 3/4" adjustable backset standard. 663: 2 3/8" standard. 2 3/4" optional
Door Thickness:	660, 663, 665, 667: 1 3/8" to 1 3/4" doors standard.
Cylinder:	660, 665: 5-pin.
Faceplates:	660, 663, 665, 667: 1" x 2 1/4" square corner standard. Round corners and other options available.
Strikes:	660, 663, 665, 667: 1" x 2 1/4" square corner standard.
Door Handing:	Reversible for right- or left-hand doors.
Bolt:	1" throw.
ANSI/BHMA:	663, 667: A156.5, Grade 3.

Available Options Model

Model	Item/Description
11776:	Adjustable backset latch. 1/4" radius corners, 2 3/8" or 2 3/4" backset. Fits 660 and 665 .
11777:	Adjustable backset latch. 1" round face drive-in, 2 3/8" to 2 3/4" backset. Fits 660 and 665 .
86129/86130:	Thick door screw pack for 1 7/8" to 2 1/4" doors. 86129 for 660 , 86130 for 665 .
83222/83223:	Maximum security deadbolt strike. Optional for 660/665 . Square corner/round corner.
KA:	Keyed Alike (KA). Additional keying options available.

Model / ANSI	Function and Description
660	 Single Cylinder: Key operates bolt from outside; thumbturn operates bolt from inside.
665	 Double Cylinder: Key operates bolt from both sides.
663 E0193	 Thumbturn only: Thumbturn operates bolt from one side. No trim on other side.
664	 Conversion Kit: Converts 663 to 667 when door is bored through.
667 E0193	 Thumbturn x Plate: Operates by thumbturn from one side. Blank plate on other side.
677 E0193	 Thumbturn x Plate: Deadbolt operated by thumbturn on interior. Blank plate on exterior.

296



Top Notch Distributors, Inc.

East – Pennsylvania
800-233-4210
Fax 800-854-4146

Midwest – Missouri
800-211-4607
Fax 800-211-4608

Southwest – Texas
866-693-6903
Fax 866-693-6904

West – Nevada
800-722-4210
Fax 800-248-3620

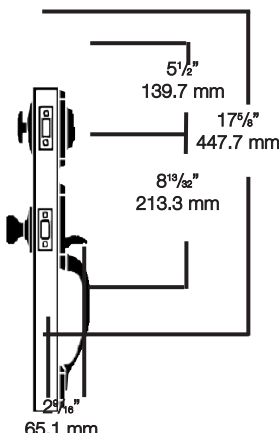

www.topnotchinc.com

sales@topnotchinc.com

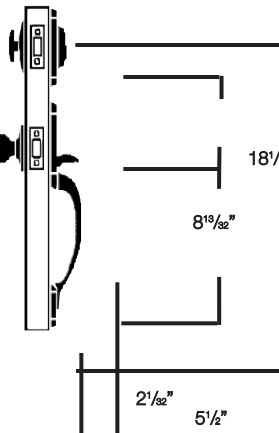

Kwikset® Handlesets 600 Series



Dakota™ (DA) LIP		Finishes					
		BHMA Finish Codes					
Model	Function	3 605	5 609	11P	15 619	15A 620	26D 626
687	Single Cylinder LIP	•	•	•	•	•	•
689	Double Cylinder LIP	•	•	•	•	•	•
699	Dummy LIP	•	•	•	•	•	•

Belleview (BW) LIP						
Model	Function	3 605	5 609	11P	15 619	26D 626
687	Single Cylinder	•	•	•	•	•
689	Double Cylinder	•	•	•	•	•
699	Dummy w/Deadbolt Trim	•	•	•	•	•



East – Pennsylvania
800-233-4210
Fax 800-854-4146

Midwest – Missouri
800-211-4607
Fax 800-211-4608

Southwest – Texas
866-693-6903
Fax 866-693-6904

West – Nevada
800-722-4210
Fax 800-248-3620

Kwikset® Handlesets 600 Series



Interior Options - Dakota and Farmington Handlesets

Model	Function	Finish																				
		604	605	606	604	605	606	604	605	606	604	605	606	604	605	606	604	605	606			
		3			5			11P			15			15A			26			26D		
KWIKSET	Cove Knob	•	•	•	•	•	•	•	•	•	•	•	•	•	•	•	•	•	•	•	•	•
	Polo Knob	•	•	•	•	•	•	•	•	•	•	•	•	•	•	•	•	•	•	•	•	•
	Tylo Knob	•	•	•	•	•	•															
	Delta Lever	•	•	•	•	•	•															
	Dorian Lever	•	•	•	•	•	•	•	•	•	•	•	•	•	•	•	•	•	•	•	•	•
SIGNATURES	Abbey Knob	•	•	•	•	•	•															
	Cameron Knob	•	•	•				•	•	•	•	•	•	•	•	•	•	•	•	•	•	•
	Circa Knob	•	•	•				•	•	•	•	•	•	•	•	•	•	•	•	•	•	•
	Copa Knob	•	•	•	•	•	•															
	Hancock Knob	•	•	•	•	•	•	•	•	•	•	•	•	•	•	•	•	•	•	•	•	•
	Laurel Knob							•	•	•	•	•	•	•	•	•	•	•	•	•	•	•
	Lido Lever	•	•	•	•	•	•	•	•	•	•	•	•	•	•	•	•	•	•	•	•	•
Tustin Lever	•			•	•	•	•				•	•	•	•	•	•	•	•	•	•	•	

Model: 604 - Single cylinder deadbolt

Model: 605 - Double cylinder deadbolt

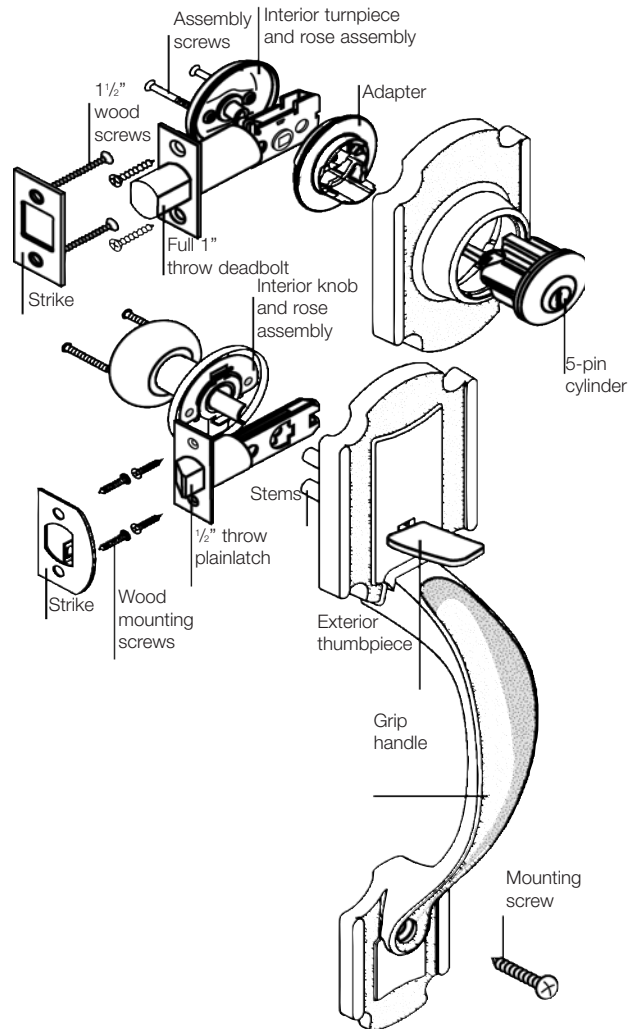
Model: 606 - Dummy

Specifications

Door Prep:	Deadbolt: Crossbore 2 1/8" or 1 1/2"; Edge Bore: 1"; Latch Face 1" x 2 1/4"; Handle Crossbore 2 1/8"; Edge Bore 1"; Latch Face 1" x 2 1/4".
Strikes:	Deadbolt: 1" x 2 1/4" square corner standard. Handle: 2 1/4" full lip square corner standard. Round corner and other options available.
Backset:	Deadbolt: Adjustable standard. Handle: Adjustable plain latch standard.
Door Thickness:	1 3/4" doors standard. 2 1/4" doors optional.
Cylinder:	5-pin.
Faceplates:	1" x 2 1/4" square corner and round corner options available.
Door Handing:	Reversible for right- or left-handed doors. Specify handing when ordering all levers as interior trim for exterior doors.
Bolt:	Deadbolt: 1" throw. Handle: 1/2" throw.

Available Options

Model	Item/Description
84679	Thick door screw pack for 2 1/4" door.



Top Notch Distributors, Inc.

East - Pennsylvania
800-233-4210
Fax 800-854-4146

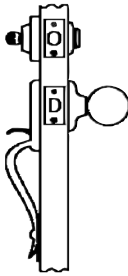
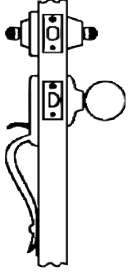
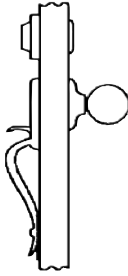
Midwest - Missouri
800-211-4607
Fax 800-211-4608

Southwest - Texas
866-693-6903
Fax 866-693-6904

West - Nevada
800-722-4210
Fax 800-248-3620

**Kwikset® Handlesets
600 Series**



Model	Function and Description		
<p>687 Dakota</p> 	<p>Sectional Handleset with Single Cylinder Deadbolt</p>		<p>Latchbolt operates by thumbpiece outside and grip inside. Deadbolt operated by key outside and thumbturn inside.</p>
<p>689 Dakota</p> 	<p>Sectional Handleset with Single Cylinder Deadbolt</p>		<p>Latchbolt operates by thumbpiece outside and grip inside. Deadbolt operated by key both sides.</p>
<p>699 Dakota</p> 	<p>Sectional Handleset with Single Cylinder Deadbolt.</p>		<p>Handle and grip act as a pull only. For inactive leaf of double doors. No operation.</p>



Top Notch Distributors, Inc.

East – Pennsylvania
800-233-4210
Fax 800-854-4146

Midwest – Missouri
800-211-4607
Fax 800-211-4608

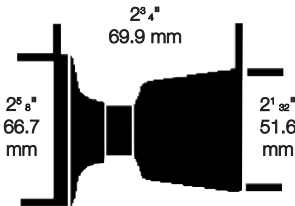

Southwest – Texas
866-693-6903
Fax 866-693-6904

West – Nevada
800-722-4210
Fax 800-248-3620

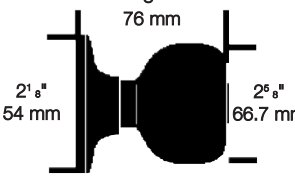

Kwikset® Signatures Series Knobs



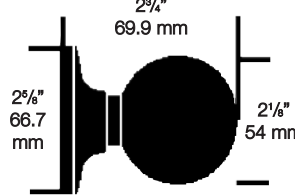

Abbey® (A)		Finishes		
		BHMA Finish Codes		
Model	Function	3 605	5 609	26D 626
720	Hall/Closet	•	•	•
730	Bed/Bath	•	•	•
740	Entry	•	•	•
741	Entry (Free Interior)	•		•
744	Classroom	•		•
750	Vestibule	•		•
788	Half Dummy	•	•	•

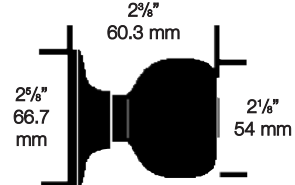

Cameron™ (CN)		Finishes		
		BHMA Finish Codes		
Model	Function	3 605	11P	15 619
720	Hall/Closet	•	•	•
730	Bed/Bath	•	•	•
741	Entry (Free Interior)	•		•
788	Half Dummy	•	•	•

Circa™ (CA)		Finishes						
		BHMA Finish Codes						
Model	Function	L03 605E	3 605	11P 619	15 620	15A 625	26 626	26D
720	Hall/Closet		•	•	•	•	•	•
730	Bed/Bath		•	•	•	•	•	•
740	Entry	•	•	•	•	•	•	•
741	Entry (Free Interior)		•					•
744	Classroom		•					•
750	Vestibule		•					•
788	Full Dummy		•	•	•	•	•	•

Copa (C)		Finishes					
		BHMA Finish Codes					
Model	Function	3 605	5 609	15 619	15A 620	26 625	26D 626
720	Hall/Closet	•	•	•	•	•	•
730	Bed/Bath	•	•	•	•	•	•
740	Entry	•	•	•	•	•	•
741	Entry (Free Interior)	•	•				
788	Full Dummy	•	•	•	•	•	•

300



Top Notch Distributors, Inc.

East – Pennsylvania
800-233-4210
Fax 800-854-4146

Midwest – Missouri
800-211-4607
Fax 800-211-4608

Southwest – Texas
866-693-6903
Fax 866-693-6904

West – Nevada
800-722-4210
Fax 800-248-3620

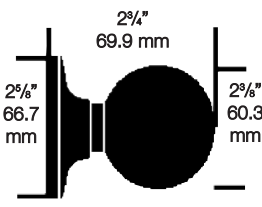

www.topnotchinc.com

sales@topnotchinc.com

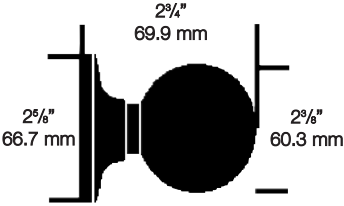

Kwikset® Signatures Series Knobs



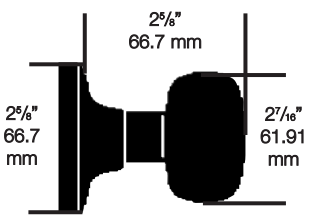

Hancock™ (H)		Finishes										
		BHMA Finish Codes										
Model	Function	L03 605E	3 605	5 609	11P	15 619	15A 620	26 625	26D 626	501	502	514
720	Hall/Closet	•	•	•	•	•	•	•	•			
725	Hall/Closet UL		•						•			
730	Bed/Bath		•	•	•	•	•	•	•	•	•	•
740	Entry	•	•	•	•	•	•	•	•	•	•	•
741	Entry (Free Interior)		•						•			
744	Classroom		•						•			
745	Entry UL		•						•			
750	Vestibule		•			•			•			
788	Full Dummy	•	•	•	•	•	•	•	•	•	•	•

Juno® (J)		Finishes			
		BHMA Finish Codes			
Model	Function	3 605	5 609	11P	15 619
720	Hall/Closet	•	•	•	•
730	Bed/Bath	•	•	•	•
740	Entry	•	•	•	•
788	Full Dummy	•	•	•	•

Laurel™ (L)		Finishes				
		BHMA Finish Codes				
Model	Function	11P	15 619	15A 620	26 625	514
720	Hall/Closet	•	•	•	•	•
730	Bed/Bath	•	•	•	•	•
740	Entry	•	•	•	•	•
788	Full Dummy	•	•	•	•	•



Top Notch Distributors, Inc.

East – Pennsylvania
800-233-4210
Fax 800-854-4146

Midwest – Missouri
800-211-4607
Fax 800-211-4608

Southwest – Texas
866-693-6903
Fax 866-693-6904

West – Nevada
800-722-4210
Fax 800-248-3620

www.topnotchinc.com

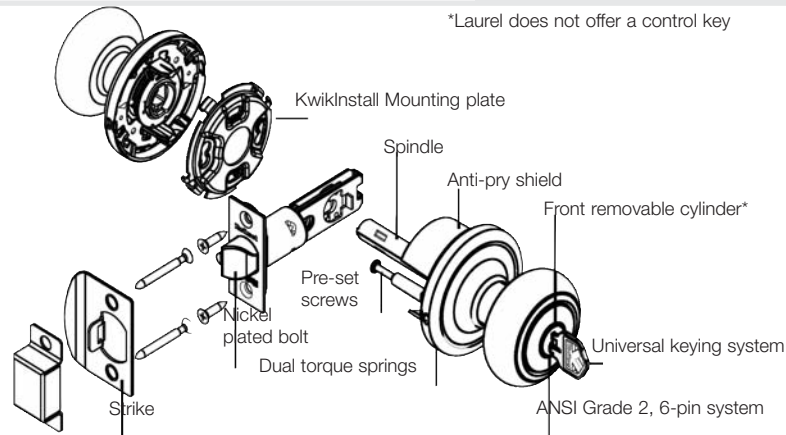
sales@topnotchinc.com

Kwikset® Signatures Series Knobs

Kwikset

*Laurel does not offer a control key

740 Hancock










Specifications

Door Prep:	Crossbore: 2 ¹ / ₈ ", Edge Bore: 1", Latch face 1" x 2 ¹ / ₄ "
Backset:	6 way adjustable latch standard.
Door Thickness:	1 ³ / ₈ " to 1 ³ / ₄ " doors standard; 2 ¹ / ₄ " doors optional on 720 and 740 models.
Cylinder:	6-pin removable core. 5-pin optional.
Faceplates:	1" x 2 ¹ / ₄ " square corner and round corner options available.
Strikes:	2 ¹ / ₄ " full-lip square corner and round corner options available.
Door Handing:	Reversible for right- or left-handed doors.
Bolt:	1/2" throw. Nickel plated.
ANSI/BHMA:	A156.2 Grade 2.

Available Options Model

Model	Item/Description
See Latches:	2 ³ / ₈ " or 2 ³ / ₄ " WFL, SCAL, RCAL.
83796:	Round corner strike (other options available).
81714:	2 ¹ / ₄ " thick door screw pack for 740 and 741 .
KA:	Keyed Alike (KA). Additional keying options available.

Model / ANSI	Function and Description
720/725UL F75	 Passage/Hall/Closet: Both knobs always free.
730 F76	 Bed/Bath: Both knobs locked or unlocked by turnbutton inside. Outside knob unlocked by emergency key.
740/745UL F82	 Entry: Both knobs locked or unlocked by key outside or turnbutton inside.
741 F81	 Entry: Outside locked or unlocked by key outside or turnbutton inside. Inside always free.
744 F84	 Classroom: Locked or unlocked by key only. Independent inside knob is always free.
750 F86	 Storeroom/Vestibule: Outside unlocked only while key is turned. Inside always free.
788	 Half Dummy Trim, Surface mounted: For doors where only a pull is required. No operation.

302



Top Notch Distributors, Inc.

East – Pennsylvania
800-233-4210
Fax 800-854-4146

Midwest – Missouri
800-211-4607
Fax 800-211-4608

Southwest – Texas
866-693-6903
Fax 866-693-6904

West – Nevada
800-722-4210
Fax 800-248-3620

Kwikset® Signatures Series Levers



Ashfield™ (ADL)		Finishes										
		BHMA Finish Codes										
Model	Function	L03 605E	3 605	5 609	11P	15 619	26 625	501	502	514		
720	Hall/Closet		•	•	•	•	•	•	•	•		
730	Bed/Bath				•	•	•	•	•	•		
740	Entry	•	•	•	•	•	•	•	•	•		
788	Half Dummy		•	•	•	•	•	•	•	•		

Avalon™ (AVL)		Finishes										
		BHMA Finish Codes										
Model	Function	L03 605E	3 605	5 609	11P	15 619	26 625	501	502	514		
720	Hall/Closet		•	•	•	•	•	•	•	•		
730	Bed/Bath		•	•	•	•	•	•	•	•		
740	Entry	•	•	•	•	•	•	•	•	•		
788	Half Dummy		•	•	•	•	•	•	•	•		

Brooklane (BRL)		Finishes								
		BHMA Finish Codes								
Model	Function	5 609	11P	15 619	15A 620	501	502	514		
720	Hall/Closet	•	•	•	•	•	•	•		
730	Bed/Bath	•	•	•	•	•	•	•		
740	Entry					•	•	•		
788	Half Dummy	•	•	•	•	•	•	•		

Commonwealth (GHL)		Finishes											
		BHMA Finish Codes											
Model	Function	L03 605E	3 605	5 609	11P	15 619	15A 620	26 625	26D 626	501	502	514	
720	Hall/Closet		•	•	•	•	•	•	•	•	•	•	
730	Bed/Bath		•	•	•	•	•	•	•	•	•	•	
740	Entry	•		•	•	•	•	•	•	•	•	•	
788	Half Dummy		•	•	•	•	•	•	•	•	•	•	



Top Notch Distributors, Inc.

East – Pennsylvania
800-233-4210
Fax 800-854-4146

Midwest – Missouri
800-211-4607
Fax 800-211-4608

Southwest – Texas
866-693-6903
Fax 866-693-6904

West – Nevada
800-722-4210
Fax 800-248-3620

www.topnotchinc.com

sales@topnotchinc.com

Kwikset® Signatures Series Levers & Designer Roses

Kwikset

Lido (LL)		Finishes BHMA Finish Codes								
Model	Function	L03 605E	3 605	5 609	11P	15 619	15A 620	26D 626		
720	Hall/Closet		•	•	•	•	•	•		
730	Bed/Bath		•	•	•	•	•	•		
740	Keyed Lever		•	•	•	•	•	•		
788	Half Dummy		•	•	•	•	•	•		

Pembroke (PML)		Finishes BHMA Finish Codes							
Model	Function	L03 605E	3 605	11P	15 619	15A 620	26 625		
720	Hall/Closet		•	•	•	•	•		
730	Bed/Bath		•	•	•	•	•		
740	Keyed Lever	•		•	•	•	•		
788	Half Dummy		•	•	•	•	•		

Tustin™ (TNL)		Finishes BHMA Finish Codes								
Model	Function	3 605	5 609	11P	15 619	15A 620	26 625	26D 626		
720	Hall/Closet	•	•	•	•	•	•	•		
730	Bed/Bath	•	•	•	•	•	•	•		
740	Keyed Lever	•	•	•	•	•	•	•		
741	Free Interior Keyed Lever	•			•	•				
788	Half Dummy	•	•	•	•	•	•	•		

Designer Roses

- Easily installs on any Kwikset Signature Series reversible lever chassis*.
- Sold as an accessory or configured with a lever.

*Not available with pin and tumbler keyed entry product.

		Finishes BHMA Finish Codes						
Model	Design	11P 619	15 619	514				
83319	Arched	•	•	•			Arched Rose	Oval Rose
83318	Oval	•	•	•				

304



Top Notch Distributors, Inc.

East – Pennsylvania
800-233-4210
Fax 800-854-4146

Midwest – Missouri
800-211-4607
Fax 800-211-4608

Southwest – Texas
866-693-6903
Fax 866-693-6904

West – Nevada
800-722-4210
Fax 800-248-3620

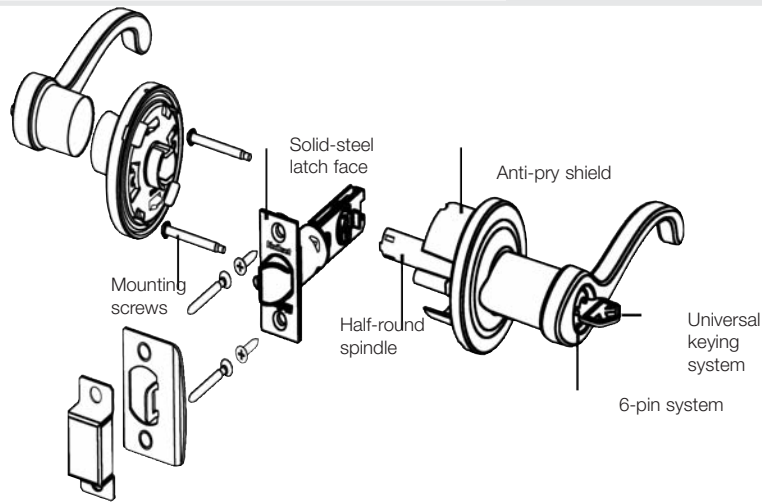
www.topnotchinc.com

sales@topnotchinc.com

Kwikset® Signatures Series Levers

Kwikset

740 Commonwealth




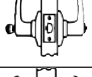
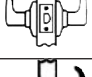



Specifications

Door Prep:	Crossbore: 2 ¹ / ₈ ", Edge Bore: 1", Latch face 1" x 2 ¹ / ₄ "
Backset:	6 way adjustable latch.
Door Thickness:	1 ³ / ₈ " to 1 ³ / ₄ " doors standard; 2 ¹ / ₄ " doors optional on 720 and 740 models.
Cylinder:	6-pin removable core.
Faceplates:	1" x 2 ¹ / ₄ " square corner.
Strikes:	2 ¹ / ₄ " full-lip square corner standard. Round corner options available.
Door Handing:	Specify handing when ordering all levers as interior trim for exterior doors.
Bolt:	1/2" throw. Nickel plated.
ANSI/BHMA:	A156.2 Grade 2.

Available Options

Model	Item/Description
See Latches:	2 ³ / ₈ " or 2 ³ / ₄ " WFL, SCAL, RCAL.
See Strikes:	For options available.
81714:	2 ¹ / ₄ " thick door screw pack for 740 and 741 .

Model / ANSI	Function and Description
720 F75	 Passage/Hall/Closet: Both levers always free.
730 F76	 Bed/Bath: Both levers locked or unlocked by turnbutton inside. Outside lever unlocked by emergency key.
740 F82	 Key Entry Lever: Both sides locked or unlocked by key outside or turnbutton inside.
741 F81	 Keyed Entry Lever: Outside locked or unlocked by key outside or turnbutton inside. Inside always free.
788	 Half Dummy Trim, Surface Mounted: For doors where only a pull is required. No operation.
490 EXT.	 Full Dummy Trim: For doors where only a pull is required. No operation.



Top Notch Distributors, Inc.

East – Pennsylvania
800-233-4210
Fax 800-854-4146

Midwest – Missouri
800-211-4607
Fax 800-211-4608

Southwest – Texas
866-693-6903
Fax 866-693-6904

West – Nevada
800-722-4210
Fax 800-248-3620

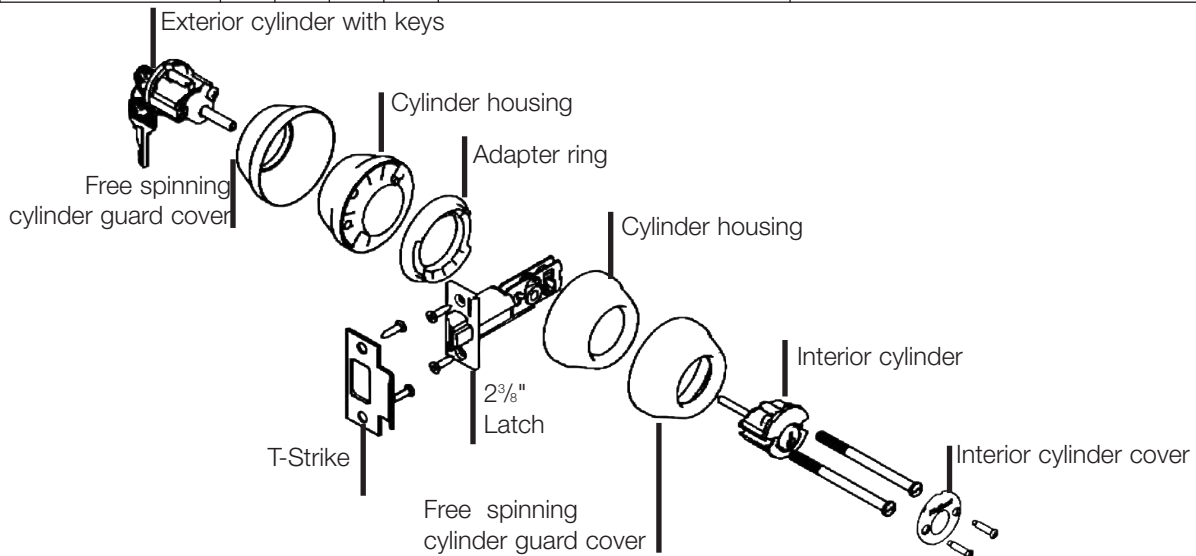
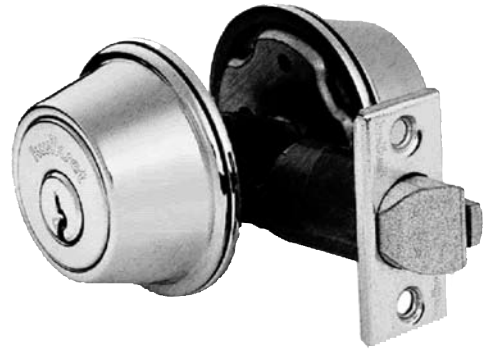
www.topnotchinc.com

sales@topnotchinc.com

Kwikset® Signatures Series Deadbolts



598/599 Gatelatch		Finishes BHMA Finish Codes				Exterior $1\frac{5}{32}"$	Interior $1\frac{1}{16}"$
Model	Function	3 605	5 609	15 619	26D 626		
598	Single Cylinder	•	•	•	•		
599	Double Cylinder	•			•		



Specifications

Door Prep:	Crossbore: $2\frac{1}{8}"$ $1\frac{1}{2}"$ standard. Edge Bore: 1".
Backset:	$2\frac{3}{8}"$ only.
Door Thickness:	$1\frac{3}{8}"$ to $1\frac{3}{4}"$ standard.
Cylinder:	5-pin.
Faceplates:	1" x $2\frac{1}{4}"$ square corner standard.
Strikes:	83028 T strike.
Latch:	1" front gatelatch.
Door Handing:	Reversible for right- or left-handed doors.
ANSI/BHMA:	A156.2 Grade 2.
ADA:	598 Function

Model / ANSI		Function and Description
598 E0152		Single Cylinder: Key operates bolt from outside; turnpiece operates bolt from inside.
599 E0142		Double Cylinder: Key operates bolt from both sides.

306



Top Notch Distributors, Inc.

East – Pennsylvania
 800-233-4210
 Fax 800-854-4146

Midwest – Missouri
 800-211-4607
 Fax 800-211-4608

Southwest – Texas
 866-693-6903
 Fax 866-693-6904

West – Nevada
 800-722-4210
 Fax 800-248-3620

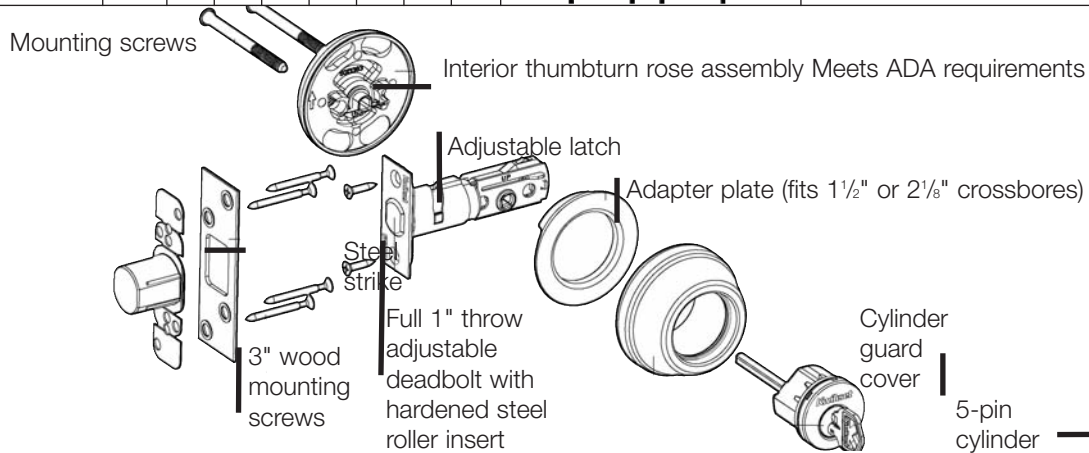
www.topnotchinc.com

sales@topnotchinc.com

Kwikset® Signatures Series Deadbolts



780 Series Deadbolt		Finishes BHMA Finish Codes									
Model	Function	L03 605E	3 605	5 609	11P 619	15 620	15A 625	26 626	26D		
780	Single Cylinder	•	•	•	•	•	•	•	•		
785	Double Cylinder	•	•	•	•	•	•	•	•		
782	Single Cylinder U.L.		•								
784	Double Cylinder U.L.		•		•						



Specifications

Door Prep:	780, 785: Crossbore 2 5/8" or 1 1/2"; Edge Bore 1", Latch Face; 1" x 2 1/4" 782, 784: Crossbore 2 5/8" Edge Bore 1", Latch Face: 1" x 2 1/4"
Backset:	Adjustable 2 3/8" or 2 3/4" standard.
Door Thickness:	1 3/8" to 1 3/4" standard. 1 7/8" – 2 1/4" optional.
Cylinder:	6-pin removable core. 5-pin optional.
Faceplates:	1" x 2 1/4" square corner standard. Round corner and other options available.
Strikes:	1 1/4" x 3 5/8" square corner standard. Round corner and other options available.
Latch:	1" front gatelatch.
Door Handing:	Reversible for right- or left-handed doors.
ANSI/BHMA:	A156.2 Grade 2.
ADA:	Functions 780 and 782 satisfy section 4.13.9 ADA requirements.

Model / ANSI	Function and Description
780/782 E0152	Single Cylinder: Deadbolt operated by key outside and thumbturn inside. UL listing standard on 782 .
784/785 E0142	Double Cylinder: Deadbolt operated by key both sides. UL listing standard on 784 .



Top Notch Distributors, Inc.

East – Pennsylvania
 800-233-4210
 Fax 800-854-4146

Midwest – Missouri
 800-211-4607
 Fax 800-211-4608

Southwest – Texas
 866-693-6903
 Fax 866-693-6904

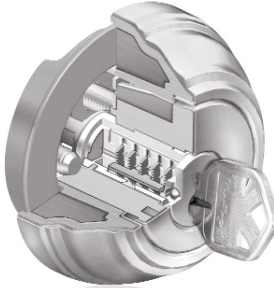
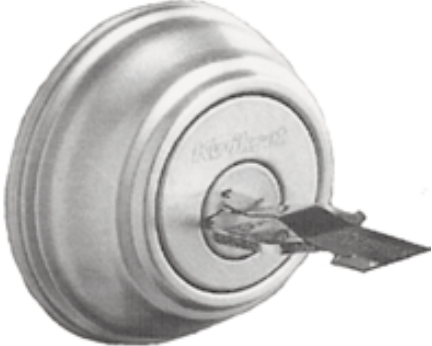
West – Nevada
 800-722-4210
 Fax 800-248-3620

Kwikset® Signatures Series Deadbolts



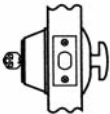
SMART-KEY

- Top concealed cylinder provides one-key control
- Lower exposed cylinder allows unique user keys
- Re-key your user or control cylinder at any time in seconds.
- Maintain key control
- Re-key the lock without removing from the door.
- Bump Guard, Drill Resistance & Pick Resistance

800 Series Smart-Key Deadbolt		Finishes BHMA Finish						
		3 605	5 609	11P	15 619	26D 626		
Model	Function							
816	Single Cylinder	•	•	•	•	•		
817	Single Cylinder U.L.	•	•	•	•	•		

Specifications

Door Prep:	Crossbore 2 ¹ / ₈ " or 1 ¹ / ₂ "; Edge Bore 1", Latch Face; 1" x 2 ¹ / ₄ "
Door Thickness:	1 ³ / ₈ " to 1 ³ / ₄ " standard.
Cylinder:	2 SmartKey cylinders: 1 standard Kwikset for users, 1 unique patented keyway for 1-Key Control
Faceplates:	1" x 2 ¹ / ₄ "
Strikes:	1 ¹ / ₄ " x 3 ⁵ / ₈ "
Bolt:	1" throw
ANSI/BHMA:	A156.2 Grade 2.
ADA:	Interior turn piece meets 4.13.9 ADA requirements.
UL:	Meets UL 3 hours fire rating for UL function. UL Ref# R10923

Model / ANSI	Function and Description	
816/817		Single Cylinder: Deadbolt operated by key outside and thumbturn inside. UL listing standard on 817 .



Top Notch Distributors, Inc.

East – Pennsylvania
800-233-4210
Fax 800-854-4146

Midwest – Missouri
800-211-4607
Fax 800-211-4608

Southwest – Texas
866-693-6903
Fax 866-693-6904

West – Nevada
800-722-4210
Fax 800-248-3620

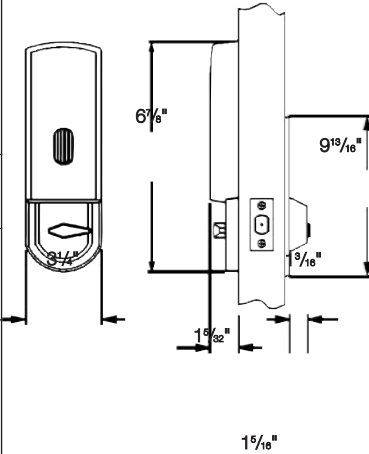
Kwikset® Signatures Series Electronic

Kwikset

SMARTCODE AND CONTEMPORARY SMARTCODE

- One touch locking.
- Two code capacity.
- Low battery indicator light alerts when batteries run low.
- Four to eight digit personal code unlocks deadbolt.
- Includes two conventional keys for back-up use.
- Alarm sounds after three consecutive incorrect codes are entered.

Model	Function	Finishes		
		L03 605E	11P	15 619
907	Single cylinder deadbolt	•	•	•
909	Single cylinder deadbolt Smartcode	•	•	•
911	Lido (LL) Keyed entry lever with SmartKey Touchpad	•		
911	Tustin (TNL) Keyed entry lever with Smartkey Touchpad		•	•



CONTEMPORARY



SMARTCODE



TUSTIN



Top Notch Distributors, Inc.

East – Pennsylvania
800-233-4210
Fax 800-854-4146

Midwest – Missouri
800-211-4607
Fax 800-211-4608

Southwest – Texas
866-693-6903
Fax 866-693-6904

West – Nevada
800-722-4210
Fax 800-248-3620

www.topnotchinc.com

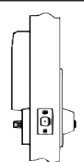
sales@topnotchinc.com

Kwikset® Signatures Series Electronic




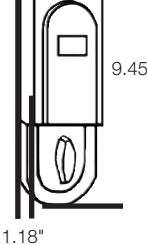

Specifications

Door Prep:	2 ¹ / ₈ " diameter face hole and 1" diameter latch hole.
Backset:	Adjustable 2 ³ / ₈ " or 2 ³ / ₄ ".
Door Thickness:	1 ³ / ₈ " to 2" automatic adjustment.
Cylinder:	907: Five Pin, 909: SmartKey
Faceplates:	1" x 2 ¹ / ₄ " round corner standard.
Strikes:	2 ³ / ₄ "x 2 ¹ / ₈ " round corner strike.
Latch:	2 ³ / ₈ "x 2 ³ / ₄ " round corner adjustable.
Door Handing:	Reversible.
Bolt:	907: 1" Projection deadbolt with 1/4" hardened steel roller. 909: 1" throw, steel deadbolt

Model / ANSI	Function and Description	
907/909		Single Cylinder: Deadbolt operated by key outside or electronic keypad and thumb turn inside.

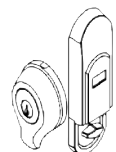
SMARTSCAN

- Easy installation - No hard wiring.
- Comes with a backup key.
- Audio alarm low battery feature.
- Programmable up to 50 uses (unique fingerprints).

Model	Function	Finishes BHMA Finish Codes		 3.55" 1.18"	 3.25" 9.45" 1.18"	
		11P	15 619			
908	Single cylinder deadbolt.	•	•			

Specifications

Door Prep:	2 ¹ / ₈ " diameter face hole and 1" diameter latch hole.
Backset:	Standard corner adjustable 2 ³ / ₈ " or 2 ³ / ₄ ".
Door Thickness:	1 ³ / ₈ " to 2".
Bolt:	1" Projection deadbolt.

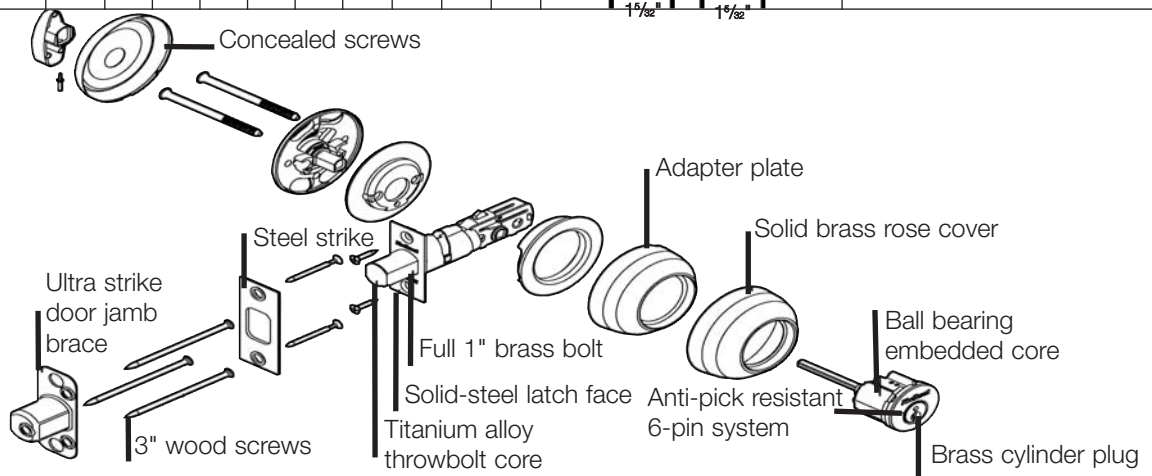
Model / ANSI	Function and Description	
908		Single Cylinder: Deadbolt operated by key outside or biometric fingerprint reader and thumbturn inside.



Kwikset® Signatures Series Deadbolts



980S Series Deadbolt		Finishes BHMA Finish Codes									2 5/8"		1 5/8"		
Model	Function	L03 605E	5 609	11P	15 619	15A 620	26 625	26D 626	501	502	514	1 1/16"	1 1/8"		
980S	Single Cylinder	•	•	•	•	•	•	•	•	•	•	•	•		
985S	Double Cylinder	•	•	•	•	•	•	•	•	•	•	•	•		
982S	Single Cylinder U.L.	•	•	•	•	•	•	•				•	•		
984S	Double Cylinder U.L.	•	•	•	•	•	•	•				•	•		



Specifications

Door Prep:	980S, 985S: Crossbore 2 1/8" or 1 1/2"; Edge Bore 1", Latch Face; 1" x 2 1/4" 982S, 984S: Crossbore 2 1/8" Edge Bore 1", Latch Face: 1" x 2 1/4"
Backset:	Adjustable 2 3/8" or 2 3/4" standard.
Door Thickness:	1 3/4" standard.
Cylinder:	6-pin removable core. 3 anti-pick top pins.
Faceplates:	1" x 2 1/4" square corner standard. Round corner and other options available.
Strikes:	1 1/4" x 3 5/8" square corner standard. Round corner and other options available.
Door Handing:	Reversible for right- or left-handed doors.
Bolt:	Brass bolt, full 1" throw, Titanium alloy throwbolt core.
ANSI/BHMA:	A156.5 Grade 1.
ADA:	Functions 980S and 982S satisfy section 4.13.9 ADA requirements.

Model / ANSI	Function and Description	
980S/982S E0152		Single Cylinder: Deadbolt operated by key outside and thumbturn inside. UL listing standard on 982S .
984S/985S E0142		Double Cylinder: Deadbolt operated by key both sides. UL listing standard on 984S .



Top Notch Distributors, Inc.

East – Pennsylvania
800-233-4210
Fax 800-854-4146

Midwest – Missouri
800-211-4607
Fax 800-211-4608

Southwest – Texas
866-693-6903
Fax 866-693-6904

West – Nevada
800-722-4210
Fax 800-248-3620

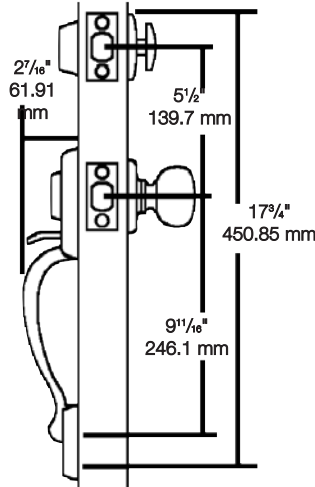
www.topnotchinc.com

sales@topnotchinc.com

Kwikset® Signatures Series 500 Series Handlesets



Gibson Handleset with round deadbolt trim		Finishes			
		BHMA Finish Codes			
Model	Function	L03 605E	3 605	5 609	15 619
552	One Piece handleset	•	•		•
553	Single Cylinder Deadbolt	•	•	•	•
554	Double Cylinder Deadbolt	•	•	•	•
555	Dummy Deadbolt	•	•	•	•



Interior Finish Options		Finish																									
Model	Function	983	986	987	989	983	986	987	989	983	986	987	989	983	986	987	989	983	986	987	989	983	986	987	989		
		3				5				11P				15				15A				26				26D	
K W I K S E T	Cove Knob	•	•	•	•	•	•	•	•	•	•	•	•	•	•	•											
	Polo Knob	•	•	•	•		•	•	•					•	•	•	•		•	•	•						
	Tylo Knob	•	•	•	•	•	•	•	•													•	•	•	•		
	Delta Lever	•	•	•	•	•	•	•	•										•	•	•	•	•	•	•		
	Dorian Lever	•	•	•	•	•	•	•	•					•	•	•	•		•	•	•	•	•	•	•		
S I G N A T U R E S	Abbey Knob	•	•	•	•			•																			
	Cameron Knob	•	•	•	•					•	•		•	•	•	•											
	Circa Knob	•	•	•	•					•		•	•	•	•	•	•		•	•	•	•	•	•	•		
	Copa Knob	•	•	•	•	•	•	•	•										•	•	•	•	•	•	•		
	Hancock Knob	•	•	•	•	•	•	•	•					•	•	•	•		•	•	•						
	Laurel Knob													•	•	•	•										
	*Brooklane Lever																										
	*Commonwealth Lever																										
	*Lido Lever	•	•	•	•	•	•	•	•					•	•	•	•		•	•	•						
	*Tustin Lever	•	•	•	•	•	•	•	•					•	•	•	•		•	•	•	•	•	•	•		

*Specify Handling

Model: 983 - One Piece Handleset

Model: 986 - Single Cylinder Deadbolt

Model: 987 - Double Cylinder Deadbolt

Model: 989 - Dummy Deadbolt



Top Notch Distributors, Inc.

East - Pennsylvania
800-233-4210
Fax 800-854-4146

Midwest - Missouri
800-211-4607
Fax 800-211-4608

Southwest - Texas
866-693-6903
Fax 866-693-6904

West - Nevada
800-722-4210
Fax 800-248-3620

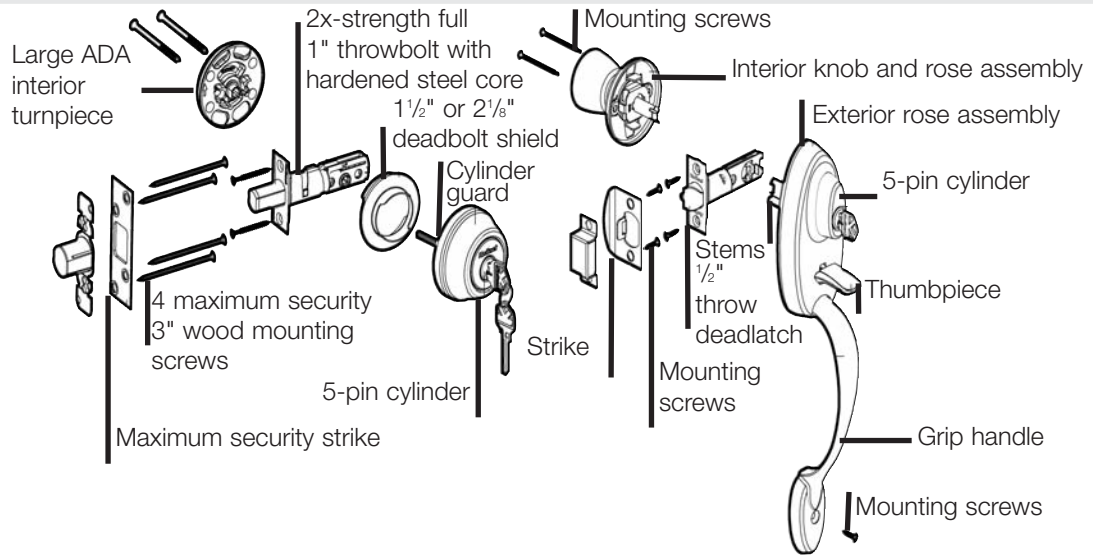
www.topnotchinc.com

sales@topnotchinc.com

Kwikset® Signatures Series 500 Series Handlesets


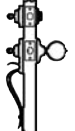
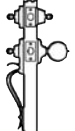

Kwikset

Gibson 553



Specifications

Door Prep:	Deadbolt Crossbore 2 ¹ / ₈ " ; Edge Bore 1" ; Latch Face; 1" x 2 ¹ / ₄ ". Handle: Cross 2 ¹ / ₈ " ; Edge Bore 1" ; Latch Face: 1" x 2 ¹ / ₄ ".
Backset:	Adjustable 2 ³ / ₈ " or 2 ³ / ₄ " standard. Handle: Adjustable deadlatch standard.
Door Thickness:	1 ³ / ₄ " door standard. 2 ¹ / ₄ " optional.
Cylinder:	5-pin.
Faceplates:	1" x 2 ¹ / ₄ " square corner standard. Round corner and other options available.
Strikes:	Deadbolt: 1 ¹ / ₄ " x 3 ⁵ / ₈ " square corner standard. Handle: 2 ¹ / ₄ " full lip square corner standard. Round corner and other options available.
Door Handing:	Reversible for right- or left-handed doors. Specify handing when ordering all levers as interior trim for exterior doors.
Bolt:	Deadbolt: 1" throw. Handle: 1/2" throw.
ANSI/BHMA:	A156.3 Grade 3 for keyed handleset. A156.6 Grade 2 for deadbolt. No standard exists for non-keyed.

Model / ANSI	Function and Description	
552		One Piece Handleset with Single Cylinder Deadbolt Latchbolt operated by thumbpiece outside and grip inside, except when both are locked by key outside or turnbutton inside.
553		One Piece Handleset with Single Cylinder Deadbolt Latchbolt operated by thumbpiece outside and grip inside, except when both are locked by key outside or turnbutton inside. Deadbolt operated by key outside or thumbturn inside.
554		One Piece Handleset with Double Cylinder Deadbolt Latchbolt operated by thumbpiece outside and grip inside, except when both are locked by key outside or turnbutton inside. Deadbolt operated by key both sides.
555		One Piece Dummy Handleset with Dummy Deadbolt Handle and grip act as a pull only. For inactive leaf of double doors. No operation.



Top Notch Distributors, Inc.

East – Pennsylvania
800-233-4210
Fax 800-854-4146

Midwest – Missouri
800-211-4607
Fax 800-211-4608

Southwest – Texas
866-693-6903
Fax 866-693-6904

West – Nevada
800-722-4210
Fax 800-248-3620

www.topnotchinc.com

sales@topnotchinc.com

Kwikset® Signatures Series 800 Series Handlesets



Amherst® (AT) LIP		Finishes BHMA Finish Codes						
Model	Function	L03 605E	11P	15 619	15A 620	502		
800	Single Cylinder	•	•	•	•	•		
801	Double Cylinder	•	•	•	•	•		
802	Dummy Handleset	•	•	•	•	•		

Note: Interior knobs/levers finish match handleset finish unless specified.

Arlington® (AN) LIP		Finishes BHMA Finish Codes										
Model	Function	L03 605E	3 605	5 609	11P	15 619	15A 620	501	502			514
800	Single Cylinder	•	•	•	•	•	•	•	•	•		
801	Double Cylinder	•	•	•	•	•	•	•	•	•		
802	Dummy Handleset	•	•	•	•	•	•	•	•	•		



Top Notch Distributors, Inc.

East – Pennsylvania
800-233-4210
Fax 800-854-4146

Midwest – Missouri
800-211-4607
Fax 800-211-4608

Southwest – Texas
866-693-6903
Fax 866-693-6904

West – Nevada
800-722-4210
Fax 800-248-3620

Kwikset® Signatures Series 800 Series Handlesets

Kwikset

Ashfield™ (ADH) LIP		Finishes BHMA Finish Codes							
		L03 605E	5 609	11P	15 619	26 625	501	502	514
Model	Function								
800	Single Cylinder	•	•	•	•	•	•	•	•
801	Double Cylinder	•	•	•	•	•	•	•	•
802	Dummy Handleset	•	•	•	•	•	•	•	•

Note: Interior knobs/levers finish match handleset finish unless specified.

Avalon™ (AVH) LIP		Finishes BHMA Finish Codes							
		L03 605E	5 609	11P	15 619	26 625	501	502	514
Model	Function								
800	Single Cylinder	•	•	•	•	•	•	•	•
801	Double Cylinder	•	•	•	•	•	•	•	•
802	Dummy Handleset	•	•	•	•	•	•	•	•



Top Notch Distributors, Inc.

East – Pennsylvania
800-233-4210
Fax 800-854-4146

Midwest – Missouri
800-211-4607
Fax 800-211-4608

Southwest – Texas
866-693-6903
Fax 866-693-6904

West – Nevada
800-722-4210
Fax 800-248-3620

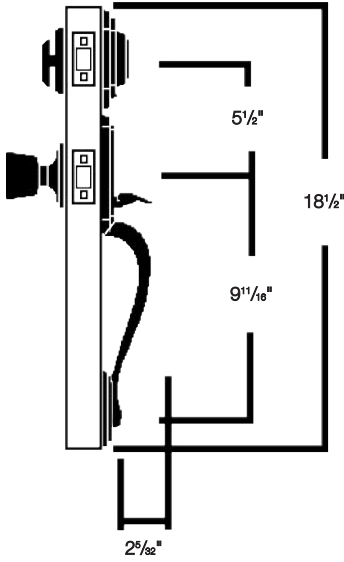

www.topnotchinc.com

sales@topnotchinc.com

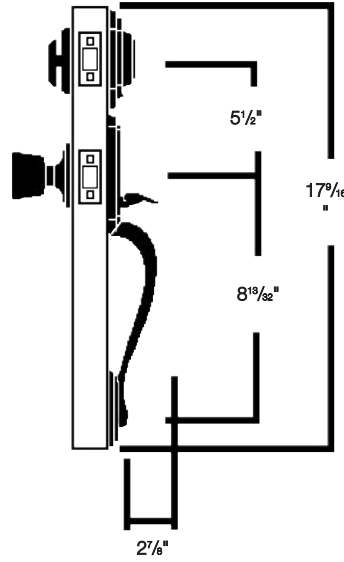

Kwikset® Signatures Series 800 Series Handlesets

Kwikset

Chelsea® (CE) LIP		Finishes											
		BHMA Finish Codes											
Model	Function	L03 605E	3 605	5 609	10B 613E	11P	15 619	15A 620	26 625	26D 626	501	502	514
800	Single Cylinder	•	•	•		•	•	•	•	•	•	•	•
801	Double Cylinder	•	•	•	•	•	•	•	•	•	•	•	•
802	Dummy Handleset	•	•	•		•	•	•	•	•	•	•	•

Hawthorne® (HE) LIP		Finishes					
		BHMA Finish Codes					
Model	Function	11P	15 619	15A 620	501	502	514
800	Single Cylinder	•	•	•	•	•	•
801	Double Cylinder	•	•	•	•	•	•
802	Dummy Handleset	•	•	•	•	•	•



Top Notch Distributors, Inc.

East – Pennsylvania
800-233-4210
Fax 800-854-4146

Midwest – Missouri
800-211-4607
Fax 800-211-4608

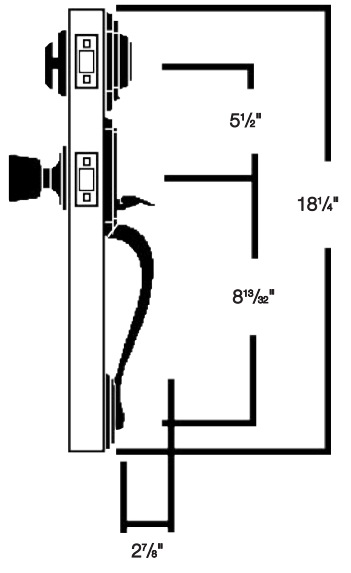

Southwest – Texas
866-693-6903
Fax 866-693-6904

West – Nevada
800-722-4210
Fax 800-248-3620

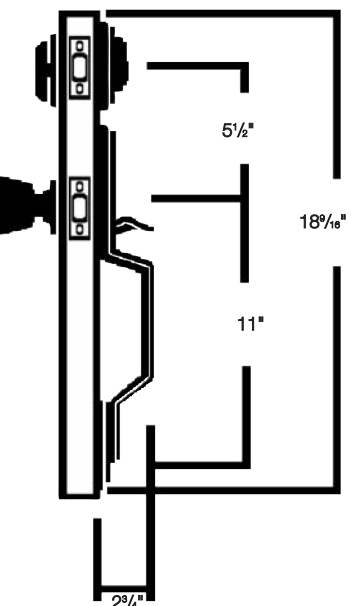

Kwikset® Signatures Series 800 Series Handlesets



Shelburne® (SE) LIP		Finishes						
		BHMA Finish Codes						
Model	Function	L03 605E	5 609	11P	15 619	501	502	514
800	Single Cylinder	•	•	•	•	•	•	•
801	Double Cylinder	•	•	•	•	•	•	•
802	Dummy Handleset	•	•	•	•	•	•	•

Sheridan® (SN) LIP		Finishes			
		BHMA Finish Codes			
Model	Function	11P	15 619	26 625	26D 626
800	Single Cylinder	•	•	•	•
801	Double Cylinder	•	•	•	•
802	Dummy Handleset	•	•	•	•

Note: Interior knobs/levers finish match handleset finish unless specified.



Top Notch Distributors, Inc.

East – Pennsylvania
800-233-4210
Fax 800-854-4146

Midwest – Missouri
800-211-4607
Fax 800-211-4608

Southwest – Texas
866-693-6903
Fax 866-693-6904

West – Nevada
800-722-4210
Fax 800-248-3620

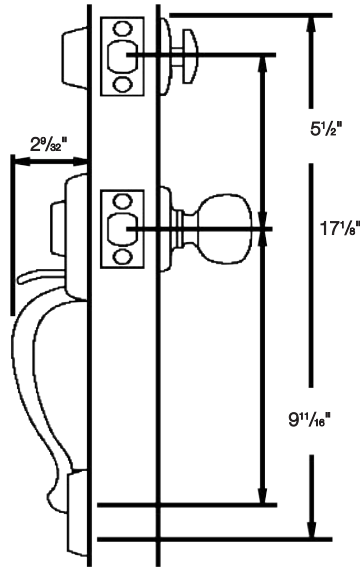

www.topnotchinc.com

sales@topnotchinc.com

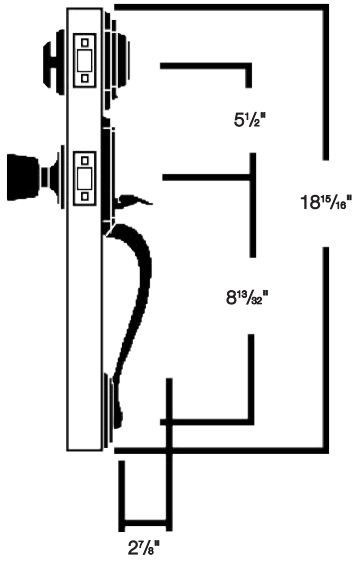

Kwikset® Signatures Series 800 Series Handlesets



Sonoma (SO) LIP Handleset with square deadbolt trim		Finishes BHMA Finish Codes					
		L03 605E	3 605	11P	15 619	15A 620	26 625
Model	Function						
800	Single Cylinder	•	•	•	•	•	•
801	Double Cylinder		•	•	•	•	•
802	Dummy Handleset	•	•	•	•	•	•

Wellington® (WN) LIP		Finishes BHMA Finish Codes	
		11P	15 619
Model	Function		
800	Single Cylinder	•	•
801	Double Cylinder	•	•
802	Dummy Handleset	•	•



East – Pennsylvania
800-233-4210
Fax 800-854-4146

Midwest – Missouri
800-211-4607
Fax 800-211-4608

Southwest – Texas
866-693-6903
Fax 866-693-6904

West – Nevada
800-722-4210
Fax 800-248-3620

Kwikset® Signatures Series 800 Series Handlesets



Interior Finish Options - Amherst, Arlington, Ashfield, Avalon, Chelsea, Gibson, Hawthorne, Shelburne, Sheridan, Sonoma, Wellington

Model	Function	Finish																											
		966	967	968	966	967	968	966	967	968	966	967	968	966	967	968	966	967	968	966	967	968	966	967	968	966	967	968	
		3			5			11P			15			15A			26			26D			501			502			514
K W I K S E T	Cove Knob	•	•	•	•	•	•	•	•	•	•	•	•	•	•	•	•	•	•	•	•	•	•	•	•	•	•	•	
	Polo Knob	•	•	•	•	•	•	•	•	•	•	•	•	•	•	•	•	•	•	•	•	•	•	•	•	•	•	•	
	Tylo Knob	•	•	•	•	•	•	•	•	•	•	•	•	•	•	•	•	•	•	•	•	•	•	•	•	•	•	•	
	Delta Lever	•	•	•	•	•	•	•	•	•	•	•	•	•	•	•	•	•	•	•	•	•	•	•	•	•	•	•	
	Dorian Lever	•	•	•	•	•	•	•	•	•	•	•	•	•	•	•	•	•	•	•	•	•	•	•	•	•	•	•	
S I G N A T U R E S	Abbey Knob	•	•	•	•	•	•	•	•	•	•	•	•	•	•	•	•	•	•	•	•	•	•	•	•	•	•	•	
	Cameron Knob	•	•	•	•	•	•	•	•	•	•	•	•	•	•	•	•	•	•	•	•	•	•	•	•	•	•	•	
	Circa Knob	•	•	•	•	•	•	•	•	•	•	•	•	•	•	•	•	•	•	•	•	•	•	•	•	•	•	•	
	Copa Knob	•	•	•	•	•	•	•	•	•	•	•	•	•	•	•	•	•	•	•	•	•	•	•	•	•	•	•	
	Hancock Knob	•	•	•	•	•	•	•	•	•	•	•	•	•	•	•	•	•	•	•	•	•	•	•	•	•	•	•	
	Laurel Knob	•	•	•	•	•	•	•	•	•	•	•	•	•	•	•	•	•	•	•	•	•	•	•	•	•	•	•	
	Phoenix Knob	•	•	•	•	•	•	•	•	•	•	•	•	•	•	•	•	•	•	•	•	•	•	•	•	•	•	•	
	Ashfield Lever	•	•	•	•	•	•	•	•	•	•	•	•	•	•	•	•	•	•	•	•	•	•	•	•	•	•	•	
	*Avalon Lever	•	•	•	•	•	•	•	•	•	•	•	•	•	•	•	•	•	•	•	•	•	•	•	•	•	•	•	
	*Brooklane Lever	•	•	•	•	•	•	•	•	•	•	•	•	•	•	•	•	•	•	•	•	•	•	•	•	•	•	•	
	*Commonwealth Lever	•	•	•	•	•	•	•	•	•	•	•	•	•	•	•	•	•	•	•	•	•	•	•	•	•	•	•	
	*Lido Lever	•	•	•	•	•	•	•	•	•	•	•	•	•	•	•	•	•	•	•	•	•	•	•	•	•	•	•	
	*Pembroke Lever	•	•	•	•	•	•	•	•	•	•	•	•	•	•	•	•	•	•	•	•	•	•	•	•	•	•	•	
	*Tustin Lever	•	•	•	•	•	•	•	•	•	•	•	•	•	•	•	•	•	•	•	•	•	•	•	•	•	•	•	

Model: 966 - Single cylinder deadbolt
*Specify Handling

Model: 967 - Double cylinder deadbolt

Model: 968 - Dummy



Top Notch Distributors, Inc.

East - Pennsylvania
800-233-4210
Fax 800-854-4146

Midwest - Missouri
800-211-4607
Fax 800-211-4608

Southwest - Texas
866-693-6903
Fax 866-693-6904

West - Nevada
800-722-4210
Fax 800-248-3620

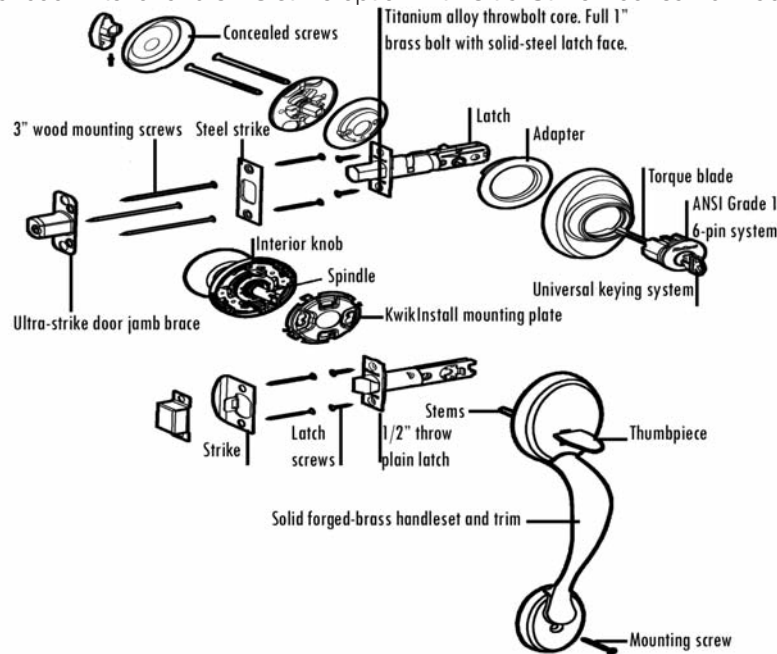
www.topnotchinc.com

sales@topnotchinc.com

Kwikset® Signatures Series 800 Series Handlesets



800 Chelsea (Shown with Hancock interior and **5278** strike option with Ultra-Strike Door Jamb Brace).



Specifications

Door Prep:	Crossbore 2 ¹ / ₈ "; Edge Bore 1"; Latch Face; 1" x 2 ¹ / ₄ ".
Backset:	SCAL, RCAL, or 6AL.
Door Thickness:	1 ³ / ₄ " door standard. 2 ¹ / ₄ " optional.
Cylinder:	6-pin. 5-pin optional.
Faceplates:	1" x 2 ¹ / ₄ " square corner standard. Round corner options available.
Strikes:	Deadbolt: 1 ¹ / ₄ " x 3 ⁵ / ₈ " square corner standard. Handle: 2 ¹ / ₄ " full lip square corner standard. Round corner and other options available.
Door Handing:	Reversible for right- or left-handed doors. Specify handing when ordering all levers as interior trim for exterior doors.
Bolt:	Deadbolt: Brass bolt, 1" throw. Titanium alloy roller pin. Handle: 1/2" throw. Nickel plated.
ANSI/BHMA:	A156.5 Grade 1 deadbolt. No standard exists for non-keyed handlesets.

Model / ANSI	Function and Description	
801		Sectional Handleset with Single Cylinder Deadbolt. Latchbolt operated by thumbpiece outside and grip inside. Deadbolt operated by key outside and thumbturn inside.
802		Sectional Handleset with Double Cylinder Deadbolt. Latchbolt operated by thumbpiece outside and grip inside. Deadbolt operated by key both sides.
803		Sectional Handleset with Dummy Deadbolt. Handle and grip act as a pull only. For inactive leaf of double doors. No operation.

320



Top Notch Distributors, Inc.

East – Pennsylvania
800-233-4210
Fax 800-854-4146

Midwest – Missouri
800-211-4607
Fax 800-211-4608

Southwest – Texas
866-693-6903
Fax 866-693-6904

West – Nevada
800-722-4210
Fax 800-248-3620

www.topnotchinc.com

sales@topnotchinc.com

Bath Accessories

Ashfield™

Model	Function	Finishes BHMA Finish Codes				
		11P N/A	15 619	26 625	501	502
0765ADB	24" Double Towel Bar	•	•	•	•	•
079ADB	24" Towel Bar	•	•	•	•	•
080ADB	Towel Ring	•	•	•	•	•
081ADB	Tissue Holder	•	•	•	•	•



Avalon™

Model	Function	Finishes BHMA Finish Codes				
		11P N/A	15 619	26 625	501	502
0765AVB	24" Double Towel Bar	•	•	•	•	•
079AVB	24" Towel Bar	•	•	•	•	•
080AVB	Towel Ring	•	•	•	•	•
081AVB	Tissue Holder	•	•	•	•	•



Redmond™

Model	Function	Finishes BHMA Finish Codes			
		3 605	11P N/A	15 619	26 625
0765RDB	24" Double Towel Bar	•	•	•	•
079RDB	24" Towel Bar	•	•	•	•
080RDB	Towel Ring	•	•	•	•
081RDB	Tissue Holder	•	•	•	•



Top Notch Distributors, Inc.

East – Pennsylvania
800-233-4210
Fax 800-854-4146


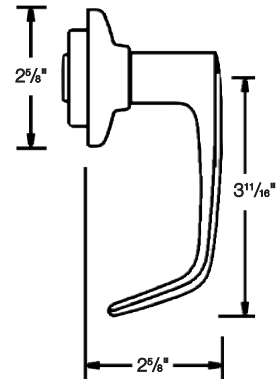

Midwest – Missouri
800-211-4607
Fax 800-211-4608

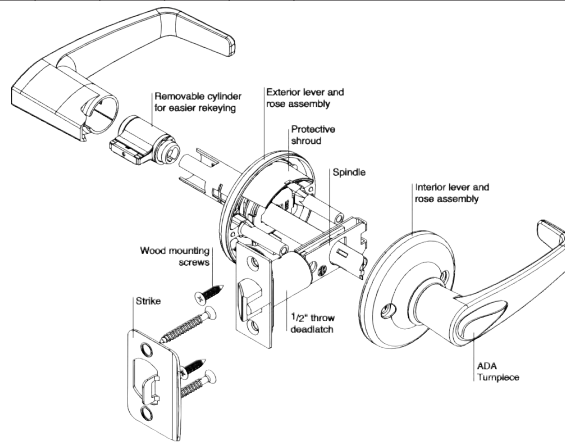
Southwest – Texas
866-693-6903
Fax 866-693-6904

West – Nevada
800-722-4210
Fax 800-248-3620

Residential Light Commercial Grade 2 Lever

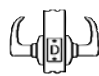
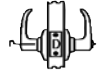


Kwikset

Kingston (KNL)		 Finishes BHMA Finish Codes					
Model	Function	3 605	26D 626				
720	Hall/Closet	•	•				
730	Bed/Bath	•	•				
740	Keyed Entry Smartkey	•	•				
788	Half Dummy	•	•				



Specifications

Door Prep:	Crossbore: 2 1/8", Edge Bore: 1", Latch face 1" x 2 1/4". 1 1/8" x 2 1/4" UL optional.
Backset:	6 AL adjustable latch.
Door Thickness:	1 3/8" to 1 3/4" doors standard; 2 1/4" doors optional passage and entry functions.
Cylinder:	5-pin.
Faceplates:	1" x 2 1/4" square corner and round corner option available.
Strikes:	2 1/4" full-lip square corner standard. Round corner optional.
Door Handing:	Non-handed.
ANSI/BHMA:	Grade 2.

Model	Function and Description	
720		Passage/Hall/Closet: Both levers always free.
730		Privacy/Bed/Bath: Both levers locked or unlocked by ADA turnpiece inside. Outside lever unlocked by emergency key.
740		Entry: Both sides locked or unlocked by key outside or ADA turnpiece inside.
788		Half Dummy Trim, Surface Mounted: For doors where only a pull is required. No operation.

322



Top Notch Distributors, Inc.

East – Pennsylvania
800-233-4210
Fax 800-854-4146

Midwest – Missouri
800-211-4607
Fax 800-211-4608

Southwest – Texas
866-693-6903
Fax 866-693-6904

West – Nevada
800-722-4210
Fax 800-248-3620

www.topnotchinc.com

sales@topnotchinc.com

Residential Light Commercial Metal Interconnect

Kwikset

Metal Interconnect			Finishes				
Model	Function	Trim	BHMA Finish Codes				
			L03	3	26D		
			605E	605	626		
506	Entry	Hancock	•		•		
508	Passage	Hancock	•		•		
506	Entry	Kingston		•	•		
508	Passage	Kingston		•	•		

Specifications

Door Prep:	Crossbore: 2 1/8", Edge Bore: 1", 5 1/2" center-to-center only.
Backset:	Complete lockesets: 2 3/4" UL, or 2 3/8" UL. Must specify. Interior Assemblies: Determined by handleset ordered.
Door Thickness:	1 3/4" to 2 1/4".
Cylinder:	506/508: utilize 6-pin on 780 deadbolt.
Faceplates:	Complete Lockesets: No default - must specify faceplate. 1" round corner, 1" square corner, 1 1/8" WFL optional. Interior Assemblies: Determined by handleset ordered.
Strikes:	Complete Lockesets: UL 3028, 3031 (WFL option 3846). Deadbolt strike: UL 5278, 3223, (WFL option 4632). Interior Assemblies: Determined by handleset ordered.
Door Handing:	506/508: Reversible.
ANSI/BHMA:	506/508: Grade 2.
UL	Meets 3 hour fire rating for all functions.

Model	Function and Description	
506		Deadlocking Latch: Operated by grip either side except when locked by key outside and thumbturn inside. Deadbolt operated by key outside and thumbturn inside. Inside grip simultaneously retracts deadlatch and deadbolt latch.
508		Plain Latch: Operated by grip either side. Deadbolt operated by key outside and thumbturn inside. Inside grip simultaneously retracts deadlatch and deadbolt latch.



Top Notch Distributors, Inc.

East – Pennsylvania
800-233-4210
Fax 800-854-4146

Midwest – Missouri
800-211-4607
Fax 800-211-4608

Southwest – Texas
866-693-6903
Fax 866-693-6904

West – Nevada
800-722-4210
Fax 800-248-3620

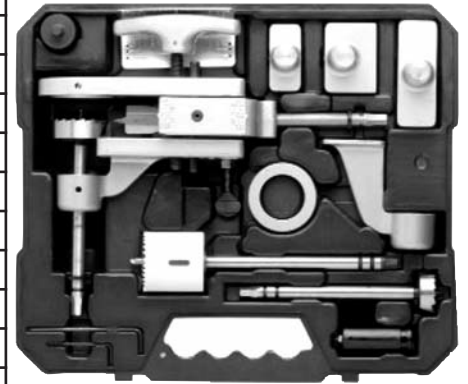
www.topnotchinc.com

sales@topnotchinc.com

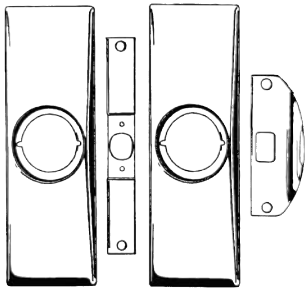


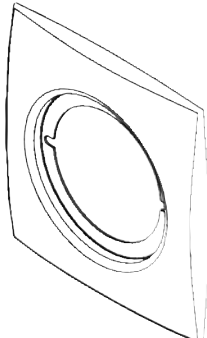
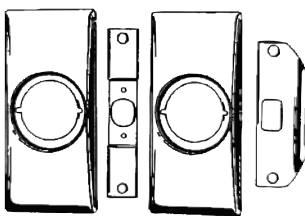
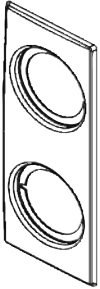
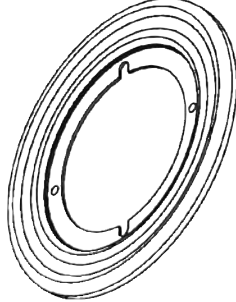
Installation Kit/Trims

138 Installation Kit and Replacement Parts

Model	Function
89900-001	Jig with wood arm guide
89903-001	1" spade bit
89904-001	2 1/8" multi-spur bit
89905-001	1 1/2" multi-spur bit
89906-001	2 1/8" hold saw bit
89907-001	Hole saw mandrel
89909-001	Full lip strike mortise tool
89912-001	Latch mortise tool
89915-001	Maximum security strike mortise tool
89919-001	Strike locator
89922-001	Jig bushing



Trims

214	239	249	288
			
			

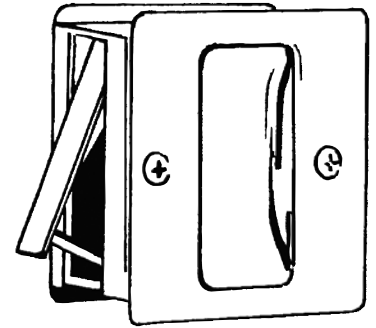
Model	Function	Finishes
214	Large Modernization Kit: 3 1/2" x 10 1/2"	3
215	Small Modernization Kit: 7 1/4" x 3 3/8"	3
239	Curved Colonial Handle	3, 5, 15, 26D
249	Medium Rectangular Rosette: 7 1/4" x 3 3/8"	3
262	Horizontal Combo: 3 1/2" x 8 1/2"	3, 5, 26D
288	Small Rectangular Rosette: 3 7/8" x 4 1/8"	3
293	Round Rosette: 3 9/16"	3, 5, 15, 26D



Sliding Door Locks

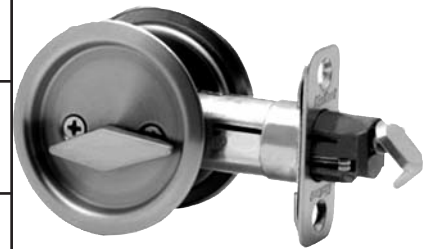
Notch Pocket Door Lock

Model	Function	Finishes								
		BHMA Finish Codes								
		3 605	5 609	10B 613E	15 619	15A 620	26D 626	32 629	3x26 605x625	3x32 605x629
332	Passage	•	•							
333	Privacy	•	•						•	



Round Pocket Door Lock

334	Passage	•	•	•	•	•	•	•		•
335	Privacy	•	•		•	•		•		•



Specifications

Door Prep:	2 ¹ / ₈ " Face Bore, 1" Edge Bore.
Backset:	2 ³ / ₈ ".
Door Thickness:	Adjustable for 1 ³ / ₈ " or 1 ³ / ₄ ".
Faceplate:	1" x 2 ¹ / ₄ " round corner, steel. Accommodates flat and beveled doors.
Strike:	1 ¹ / ₈ " x 2 ³ / ₄ " square corner with strike box and wood frame reinforcement, steel. Privacy function only.
Fasteners:	Standard flat or Phillips screws.
Door Handing:	Non-handed



Top Notch Distributors, Inc.

East – Pennsylvania
800-233-4210
Fax 800-854-4146

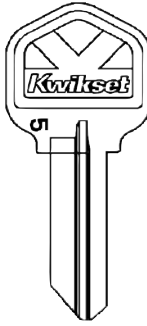
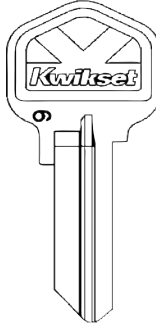





Midwest – Missouri
800-211-4607
Fax 800-211-4608

Southwest – Texas
866-693-6903
Fax 866-693-6904

West – Nevada
800-722-4210
Fax 800-248-3620

Key Blanks/Keying Kits

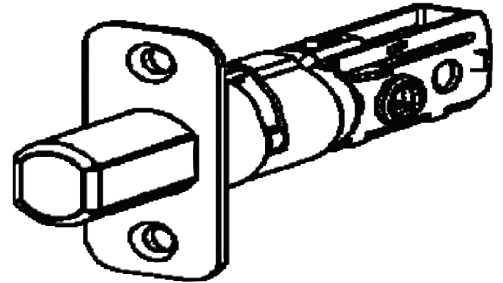
Operating Key Blanks

		81063	81208
Model	Function		
81063	K bow, nickel plated, 5-pin.		
81208	Kbow, nickel plated, 6-pin.		
Control key Blanks (rekeying tools)		87615	81804
81804	Kwikset key-in lever, standard "TC".		
87615	MK control key.		
Emergency Key		81087	
81087	For all privacy function locksets.		
Keying Kits		236	272
236	Builder pin kit-small		
272	Pin kit.		

Deadbolt Adjustable Latches

RCAL - Round Corner Adjustable Latch

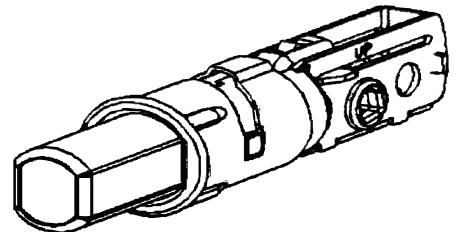
Model	Function	Finish											
		BHMA Finish Codes											
		3 605	5 609	11P N/A	15 619	15A 620	26 625	26D 626	501	502	514	690	N/A
81305	660	•	•		•	•	•					•	
83347	780	•	•		•	•	•					•	•
83347	980	•	•		•	•	•					•	•
81258	980UL	•	•	•	•	•		•					



1" Front Deadlatch. Will not work with 663. UL latches must be used with UL listed locksets and applicable strikes. UL Kwiset and Kwikset Signatures are rated for three hours, unless otherwise specified.

RFAL - Round Face Adjustable Latch

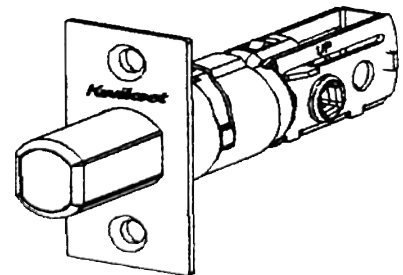
81306	660												•
83371-001	780												•
83371-001	980												•



1" Drive-in Deadlatch. Will not work with 663. .

SCAL - Square Corner Adjustable Latch

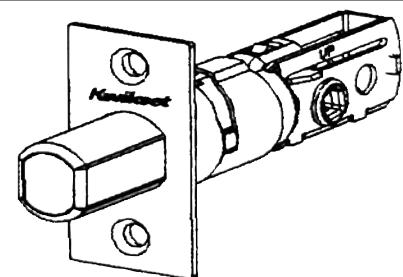
81308	660	•	•		•	•	•						•
83370	780	•	•		•	•	•					•	•
84513	780UL	•	•		•	•	•						•
81253	980	•	•		•	•	•		•	•	•	•	•
81257	980UL	•		•	•	•		•					



1" Front Deadlatch. Will not work with 663. UL latches must be used with UL listed locksets and applicable strikes. UL Kwiset and Kwikset Signatures are rated for three hours, unless otherwise specified.

WFAL - Wide Face Adjustable Latch

84525	780UL	•	•		•	•	•						•
-------	-------	---	---	--	---	---	---	--	--	--	--	--	---



UL latches must be used with UL listed locksets and applicable strikes. UL Kwiset and Kwikset Signatures are rated for three hours, unless otherwise specified.

Notes:

All plain and deadlatches can be used with all Kwikset and Kwikset Signatures knob and lever products. Plainlatches are used with passage and privacy functions. Deadlatches are used with entry functions. All fronts are 2 1/4" high.



Top Notch Distributors, Inc.

East - Pennsylvania
800-233-4210
Fax 800-854-4146

Midwest - Missouri
800-211-4607
Fax 800-211-4608

Southwest - Texas
866-693-6903
Fax 866-693-6904

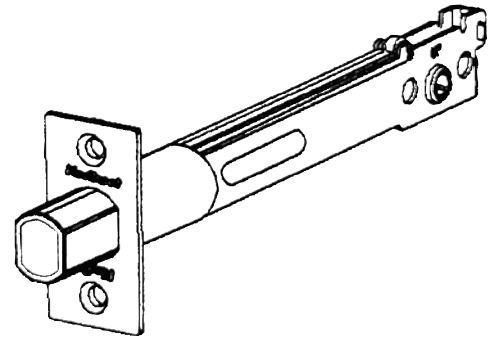
West - Nevada
800-722-4210
Fax 800-248-3620

Deadbolt Speciality Latches

5L - 5" Latch

Model	Function	Finish BHMA Finish Codes											
		3 605	5 609	11P N/A	15 619	15A 620	26 625	26D 626	501	502	514	690	N/A
82730	5" Kwikset	•	•				•						

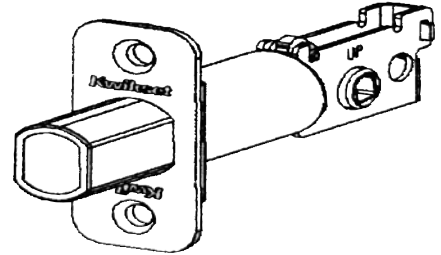
1" Front Deadlatch.
Replacement part only.



RCL - Round Corner Latch

82731	2 ³ / ₈ " Backset	•	•										
82732	2 ³ / ₄ " Backset	•	•										

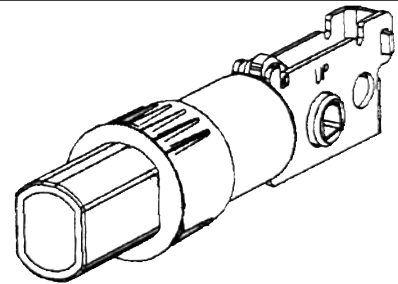
1" Round Corner Deadlatch.
Used for 663 Deadbolt.



RFL - Round Face Latch

82734	2 ³ / ₈ " Backset												•
82735	2 ³ / ₄ " Backset												•

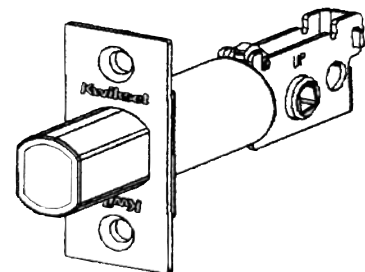
1" Drive-in Deadlatch.
Drive-in collar attached.
Used for 663 Deadbolt.



SCL - Square Corner Latch

82728	2 ³ / ₈ " Backset	•	•		•		•						•
82729	2 ³ / ₄ " Backset	•	•				•						

1" Front Deadlatch.
Used for 663 Deadbolt.



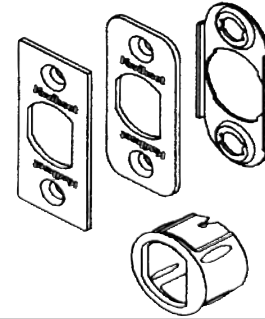
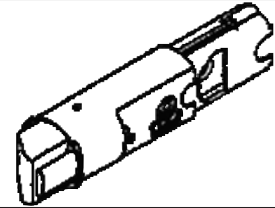
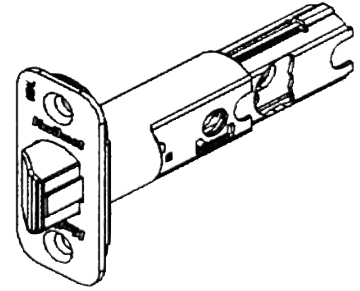
Notes:

All plain and deadlatches can be used with all Kwikset and Kwikset Signatures knob and lever products. Plainlatches are used with passage and privacy functions. Deadlatches are used with entry functions. All fronts are 2¹/₄" high.

6-Way Adjustable Latches and Parts

RCAL - Round Corner Adjustable Latch

Model	Function	Finish BHMA Finish Codes											
		3 605	5 609	11P N/A	15 619	15A 620	26 625	26D 626	501	502	514	690	N/A
82246	Plain	•	•		•	•	•				•	•	
82247	Dead	•	•		•	•	•				•	•	
Core Latch													
81846	Dead												•
81847	Plain												•
Drive-in Collar													
81828	Dead												•
81829	Plain												•
Service Kits													
81844	Dead	•	•		•	•	•						•
81845	Plain	•	•				•						



Notes:

All plain and deadlatches can be used with all Kwikset and Kwikset Signatures knob and lever products. Plainlatches are used with passage and privacy functions. Deadlatches are used with entry functions. All fronts are 2 1/4" high.



Top Notch Distributors, Inc.

East - Pennsylvania
800-233-4210
Fax 800-854-4146

Midwest - Missouri
800-211-4607
Fax 800-211-4608

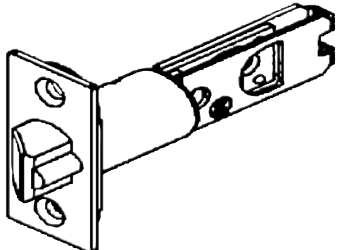
Southwest - Texas
866-693-6903
Fax 866-693-6904

West - Nevada
800-722-4210
Fax 800-248-3620

Specialty Deadlatches and Plainlatches

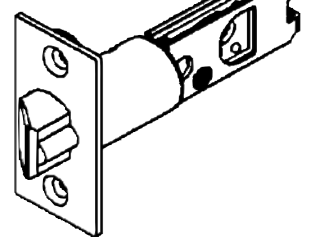
SCDL - Square Corner Deadlatch

Model	Function	Finish BHMA Finish Codes											
		3 605	5 609	11P N/A	15 619	15A 620	26 625	26D 626	501	502	514	690	N/A
84292	2 ³ / ₄ " Backset UL	•					•						
84297	2 ³ / ₈ " Backset UL	•					•						



WFDL - Wide Face Deadlatch

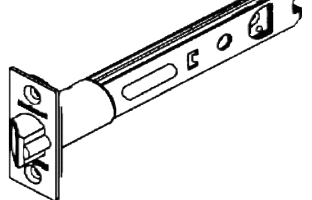
84255	2 ³ / ₄ " Backset UL	•	•			•	•	•					•
84295	2 ³ / ₈ " Backset UL	•	•			•	•	•					•
84295	2 ³ / ₈ " Backset UL Vestibule	•	•			•	•	•					•



5L SCDL - 5" Square Corner Deadlatch

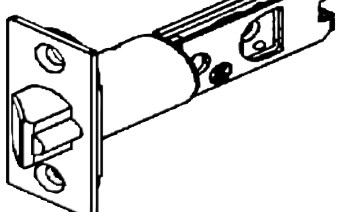
83014	5" Latch	•	•					•					
-------	----------	---	---	--	--	--	--	---	--	--	--	--	--

Replacement part only



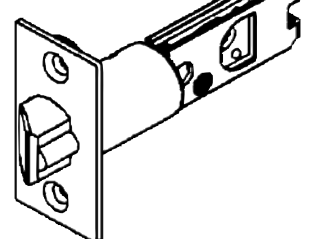
SCPL - Square Corner Plain Latch

84290	2 ³ / ₄ " Backset UL	•	•										•
-------	--	---	---	--	--	--	--	--	--	--	--	--	---



WFPL - Wide Face Plain Latch

84254	2 ³ / ₄ " Backset UL	•	•			•	•	•					•
84294	2 ³ / ₈ " Backset UL	•	•			•	•	•					•

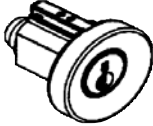
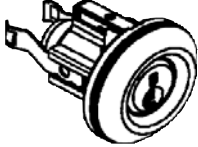
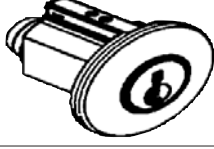
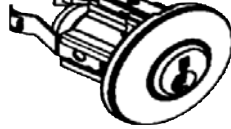
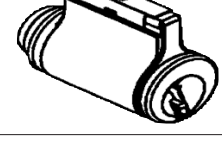


Notes:

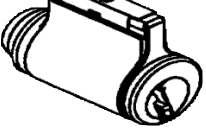
All plain and deadlatches can be used with all Kwikset and Kwikset Signatures knob and lever products. Plainlatches are used with passage and privacy functions. Deadlatches are used with entry functions. All fronts are 2³/₄" high.

Cylinders

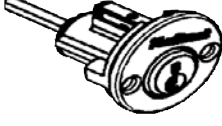
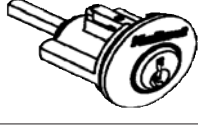
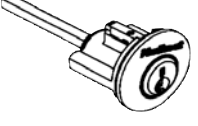
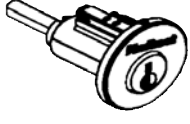
Knob Cylinders

Model	Function	Finish BHMA Finish Codes									
		L03	3	5	11P	15	15A	26	26D		
7750A	Abbey 6 Pin	•	•	•					•	•	
15860	Polo 5 Pin			•	•			•	•	•	
13752	Hancock 6 Pin	•	•	•	•	•	•	•	•	•	
1850	All Kwikset Knob 5 Pin	•	•	•					•	•	

Lever Cylinder

24042	405 Lever/Gibson Handleset 5 Pin		•								
-------	----------------------------------	--	---	--	--	--	--	--	--	--	--

Deadbolt Cylinders

2776	665 Interior 5 Pin	•		•		•	•	•	•		
2777	665 Exterior 5 Pin	•		•		•	•	•	•		
15843	660 Exterior 5 Pin	•		•		•	•	•	•		
785	Exterior without Housing 6 Pin	•	•	•	•	•	•	•	•		

Note: Must specify finish when ordering cylinders.



Top Notch Distributors, Inc.

East – Pennsylvania
800-233-4210
Fax 800-854-4146

Midwest – Missouri
800-211-4607
Fax 800-211-4608

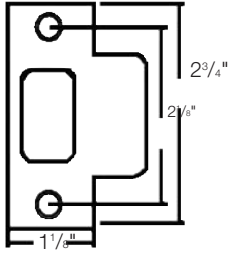
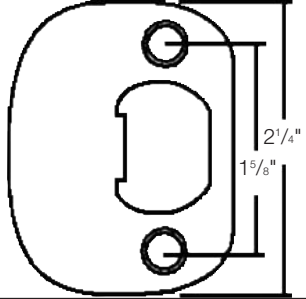
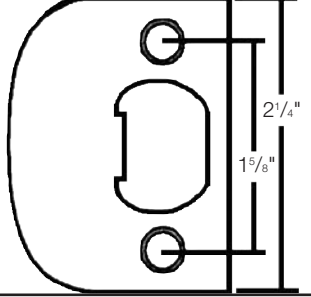
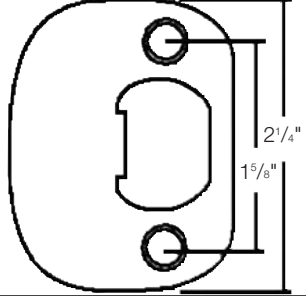
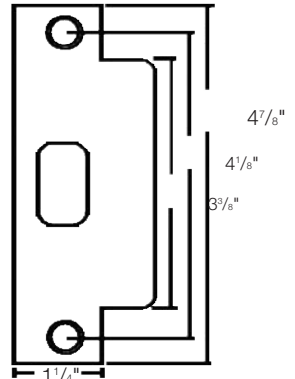
Southwest – Texas
866-693-6903
Fax 866-693-6904

West – Nevada
800-722-4210
Fax 800-248-3620

www.topnotchinc.com

sales@topnotchinc.com

Plainlatch and Deadlatch Strikes

Model	Function	Finish BHMA Finish Codes								
		3 605	5 609	15 619	15A 620	26 625	26D 626	514	690	
83028	T	•	•	•	•	•		•	•	
Standard on 588, 589 and UL listed knob and lever sets. 3-hour fire rating with UL Kwikset Signatures and 1.5 hour fire rating with UL Kwikset locks and latchbolts.										
83437	Full Lip Square Corner	•	•	•	•	•		•		
Standard on Non-UL locksets. 20-minute fire rating with UL locks and latchbolts.										
83796	Full Lip 1/4" Round Corner (RCS4)	•	•	•	•	•		•	•	
20-minute fire rating with UL locks and latchbolts.										
83844	Full Lip 5/8" Round Corner	•	•	•	•	•		•	•	
20-minute fire rating with UL locks and latchbolts.										
83846	ASA-1	•	•	•	•	•		•	•	
3-hour fire rating with UL Kwikset Signatures and 1.5 hour fire rating with UL Kwikset locks and latchbolts.										

Plainlatch, Deadlatch and Deadbolt Strikes



Model	Function	Finish BHMA Finish Codes								Diagram
		3 605	5 609	15 619	15A 620	26 625	26D 626	514	690	
83929	Full Lip 1 ³ / ₄ "	•	•	•	•	•		•	•	
83222	Square Corner	•	•	•	•	•		•	•	
Standard on 780, 785, 980 deadbolts. 3-hour fire rating with UL Kwikset Signatures and 1.5 hour fire rating with UL Kwikset locks and latchbolts.										
83223	Round Corner	•	•	•	•	•		•	•	
Standard on 780, 785, 980 deadbolts. 3-hour fire rating with UL Kwikset Signatures and 1.5 hour fire rating with UL Kwikset locks and latchbolts.										
84632	T		•							
3-hour fire rating with UL Kwikset Signatures and 1.5 hour fire rating with UL Kwikset locks and latchbolts.										
84638	Full Lip	•	•	•	•	•		•	•	
3-hour fire rating with UL Kwikset Signatures and 1.5 hour fire rating with UL Kwikset locks and latchbolts.										



Top Notch Distributors, Inc.

East – Pennsylvania
800-233-4210
Fax 800-854-4146

Midwest – Missouri
800-211-4607
Fax 800-211-4608

Southwest – Texas
866-693-6903
Fax 866-693-6904

West – Nevada
800-722-4210
Fax 800-248-3620

www.topnotchinc.com

sales@topnotchinc.com

Deadbolt Strikes and Strike Boxes



Model	Function	Finish BHMA Finish Codes								Diagram	
		3 605	5 609	15 619	15A 620	26 625	26D 626	514	690		
85063	1" x 2 1/2" Round Corner (RCS4)	•	•	•	•	•		•	•		
Standard on 660, 665 deadbolts. 3-hour fire rating with UL Kwikset Signatures and 1.5 hour fire rating with UL Kwikset locks and latchbolts.											
85072	1" x 2 1/4"	•	•	•	•	•					
Standard on 660, 665 deadbolts. 3-hour fire rating with UL Kwikset Signatures and 1.5 hour fire rating with UL Kwikset locks and latchbolts.											
85303	Full Lip Round Corner	•	•	•	•	•		•	•		
3-hour fire rating with UL Kwikset Signatures and 1.5 hour fire rating with UL Kwikset locks and latchbolts.											
Strike Boxes											
Model	Function	Finishes									Diagram
81231	For 83028 Strike	N/A									
83288	For Full Lip Strikes	N/A									

334



Top Notch Distributors, Inc.

East – Pennsylvania
800-233-4210
Fax 800-854-4146

Midwest – Missouri
800-211-4607
Fax 800-211-4608

Southwest – Texas
866-693-6903
Fax 866-693-6904

West – Nevada
800-722-4210
Fax 800-248-3620

www.topnotchinc.com

sales@topnotchinc.com

Strike Boxes and Screw Packs



Strike Boxes			
Model	Function	Finishes	
81640	For All Deadbolt Strikes	N/A	
81967	For 83846 ASA-1 Strike	N/A	

Screw Packs		Finishes											
Knobs and Levers		3	5	15	15A	26	26D	690	501	514	515		
Model	Function												
81834	Machine Screws used on Signatures Handlesets. Styles: A, CA, H, L ADL, AVL, BRL, CHL, PML, CE, ADH, AVH, SE, HE, WN	N/A											
81835	Machine Screws used on all Kwikset and Signatures Knobs & Levers. Styles: CN, C, LL, TNL, P, T, V, DL, DNL	•	•			•					•		
Handlesets		Finishes											
Model	Function	3	5	15	15A	26	26D	690	501	502	514	515	
86151	Kwikset Handleset Screw Pack Styles: A, CA, H, L, ADL, AVL, BRL, CHL, PML, CE, AVH, ADH, SE, HE, WN	•				•						•	
81760	Signatures Handleset Screw Pack Styles: SO	•	•			•						•	
82215	Signatures Handleset Decorative Interior Screw Cap Cover Styles: ADH, AVH, AT, HE, SE, WN	•	•	•	•	•	•	•	•	•	•	•	
88322	Sex Nut Set & Wood Screw	•	•	•	•	•	•	•					



Top Notch Distributors, Inc.

East – Pennsylvania
800-233-4210
Fax 800-854-4146

Midwest – Missouri
800-211-4607
Fax 800-211-4608


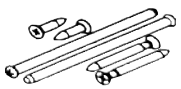
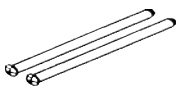
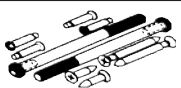

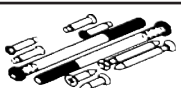
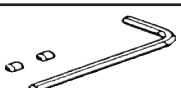

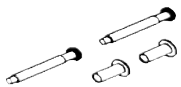
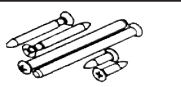

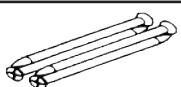
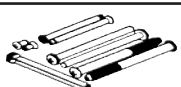
Southwest – Texas
866-693-6903
Fax 866-693-6904

West – Nevada
800-722-4210
Fax 800-248-3620


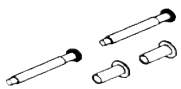
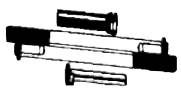
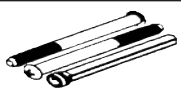
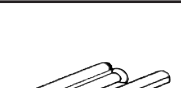

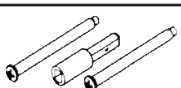
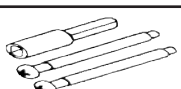
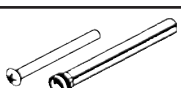
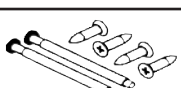
www.topnotchinc.com

sales@topnotchinc.com

Screw Packs

Deadbolts		Finishes										
Model	Function	3	5	15	15A	26	26D	690	501	514	515	
86171	660 Deadbolt Screw Pack	•				•					•	
86099	665 Deadbolt Screw Pack	•	•	•	•	•	•	•			•	
86073	One-Way Screws, 665 Deadbolt	•				•					•	
81762	Machine Screws for 785 Deadbolt Pin & Tumbler 785	•				•		•			•	
81247	780, 980 Deadbolt Screw Pack	•		•		•		•			•	
81261	985 Deadbolt Screw Pack	•				•		•			•	
81251	980 Series Deadbolt, Turnpiece Screw & Wrench	N/A										
Dummy/In-Active		Finishes										
Model	Function	3	5	15	15A	26	26D	690	501	514	515	
81708	488 & 788 Dummy Mounting Screws	•						•			•	
81892	488 Dummy Adapter	•				•					•	
Latch		Finishes										
Model	Function	3	5	15	15A	26	26D	690	501	514	515	
81711	Latch & Strike Screws	•		•	•	•		•			•	
82893	3846 Strike Screw Pack	•				•		•			•	
Strikes		Finishes										
Model	Function	3	5	15	15A	26	26D	690	501	514	515	
86356	3" Strike Screws	•				•		•			•	
88604	Full Round Strike Screws	•				•		•			•	

Screw Packs

Thick Door Conversion		Finishes										
Model	Function	3	5	15	15A	26	26D	690	501	514	515	
81248	980, 982 Thick Door Pack	N/A										
81249	984, 985 Thick Door Pack	N/A										
81691	780 Deadbolt Thick Door Pack	•				•		•			•	
84221	785 Thick Door Pack	N/A										
86129	660 Thick Door Pack		•	•	•		•	•				
86130	665 Thick Door Pack	•		•	•	•	•	•			•	
81714	Thick Door Pack, Signatures Knobs Styles: A, CA, H, L	N/A										
81706	Thick Door Pack, Kwikset and Signatures Knob & Lever Styles: CN, C, LL, TNL, P, T, V, DL, DNL, ADD, AVC, ADC, CHC, BRL, PML	•				•		•			•	
81838	Thick Door Pack, Handleset Adapter	•			•	•		•			•	
81781	Thick Door Pack, All Active & Dummy Handlesets	•	•			•		•			•	



Top Notch Distributors, Inc.

East – Pennsylvania
800-233-4210
Fax 800-854-4146

Midwest – Missouri
800-211-4607
Fax 800-211-4608

Southwest – Texas
866-693-6903
Fax 866-693-6904

West – Nevada
800-722-4210
Fax 800-248-3620

www.topnotchinc.com

sales@topnotchinc.com

Note:

338



Top Notch Distributors, Inc.

East – Pennsylvania
800-233-4210
Fax 800-854-4146

Midwest – Missouri
800-211-4607
Fax 800-211-4608

Southwest – Texas
866-693-6903
Fax 866-693-6904

West – Nevada
800-722-4210
Fax 800-248-3620

www.topnotchinc.com

sales@topnotchinc.com