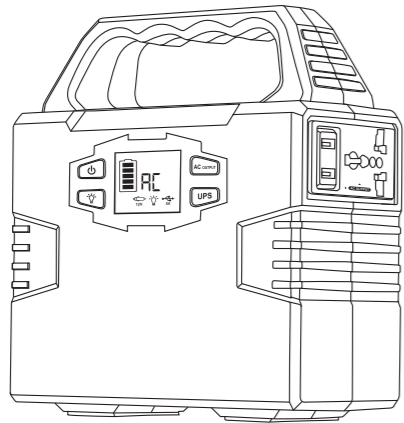


40800mAh/100W Portable Power Station User Manual



Please read the manual carefully before operating and keep it!

ABOUT THE PRODUCT

Thank you very much for applying our multi-function portable power station product. In case of power failure or you need to charge on a travel, you can temporarily charge your electrical or digital products with this product. This power station has been built in high quality lithium polymer battery, supports for DC and AC output. It can also be used as emergency light. Before using this product, please read the user manual carefully and properly keep for reference.

Note please!

This manual is to help you use the product correctly; it does not represent any description on the hardware and software configuration of the product. About the product configuration, please refer to the contract related to this product (if there is), or consult to the seller that sells the product. Pictures in this manual is for reference only, if there are individual pictures do not match the actual, please prevail in actual products.

The power station provides Modified Sine Wave output

The power station provides Modified Sine Wave output, and can be compatible to AC electric appliance that works with Sinusoidal waveform(power <100W). However, anything that uses an AC motor isn't going to work to full capacity on a modified sine wave. such as an electrical fan, It will even make the electric appliance arouse some noise. Appliances like refrigerators, microwaves, and compressors that use AC motors and some delicate medical equipment will be better off with a pure sine wave inverter. **This product is only used for emergency, it cannot replace the normal alternating current, for long-term use, please adapts the power station specification required by electrical appliances.**

【 I 】 PRODUCT PARAMETERS

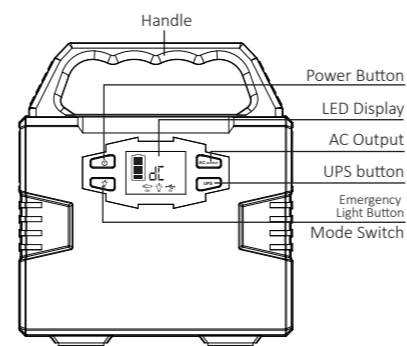
Capacity	40800mAh
Dimensions(LWH)	165x80x175mm
Weight	1.5Kg
Built-in Battery	High Quality Lithium Polymer Batteries
Input Recharging	DC15V/2A
Fully Charged Time	DC 15V:7~8 hours

Output	USB 5V-3.5A DC12V-15A (Max)
DC Wattage(MAX)	9~12.6V/15A, 180W(Max)
AC Output	100W, Dual Modified Wave Output. With 2 Versions: 220/110V(Build According to different nations)
Bulb Type	Ultra bright LED light/Blink/SOS
Power Indicator	LED Control Panel
Operation temperature range	-20 C -60 C
Lifecycle	>500 times
Safety Technology	Ultra Safety Technology
Package include	1 x Portable PowerStation 1 x Power Adapter 1 x car charger 1 x cigarette light adapter 1 x user manual

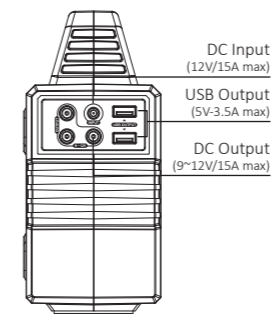
※ There may be some differences on different spare parts. Please adhere to the actual product instead.

【 II 】 PRODUCT DESCRIPTION

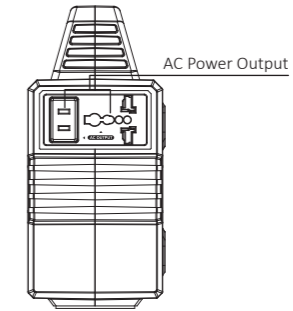
【Front】



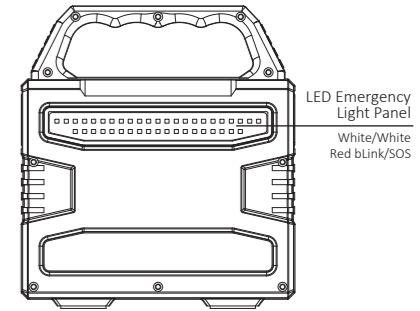
【Left】



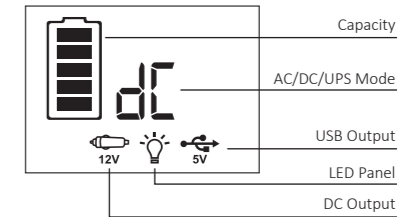
【Right】



【Back】



【LED Display】



Emergency Light Button/Mode Switch: Can be individually used without switching on the Power Button first;

AC Output: AC letters will light up on the LED Control Panel;

UPS button: When charging the product, in order to protect the built-in battery, the product will not output AC. If you activate UPS button (UPS) now, LED panel will

display UPS word (UPS); When the battery is fully charged, pull out the DC charging cable, AC power will directly output for the continued supply of electrical appliance. If you do not activate UPS button, user needs to stop the charging, and repress the power button (Power), open the AC output (AC).

【 III 】 PRODUCT INSTRUCTION

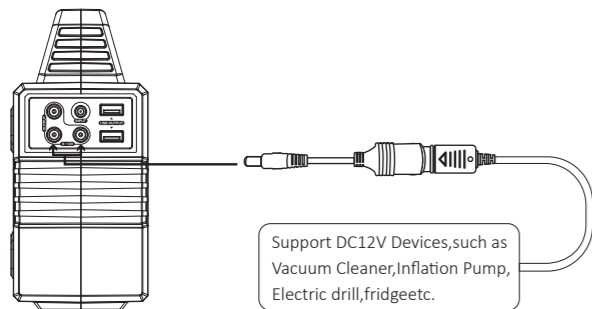
1) How to provide power for DC12V appliances(such as head lamp, fan, radio) with this product?

Please confirm whether the interface of DC12V appliance or lighting equipment is the DC5.5 header interface(The diameter of the DC Port of the Product is: 5.5mm), otherwise it is unable to connect with the DC output, if so, you can consult the electrical manufacturer, buy the corresponding adapter and connect with it.

Connect with vehicle mounted tool through cigar lighter.

If your electrical appliance supports car charge, you can connect this product with your appliances through the standard cigarette lighter adapter to gain power.

【Left】



※ **Note:** Because the battery is chemical product, voltage drops with capacity, the DC output voltage of this product is in the range of 9~12.6V, the maximum output current is 15A. If the DC12V appliance you connect does not have the voltage stabilizing function, when the DC voltage drops with the decline of battery voltage, it may cause the informal of appliance, please stop use it.

2) How to provide power for AC appliances with this product?

a. Connect the power cable plug of the electrical appliance to the AC interface of the product.

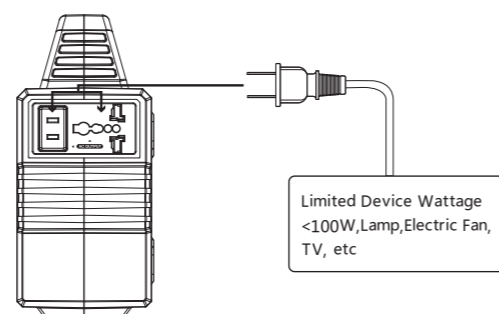
WARNING! The interface specifications and voltage standard of different countries are different; please carefully check whether the product specifications are consistent with the appliance specifications before use, otherwise it can lead to dangerous situations.

c. Press the (Power) button to start, press AC button (AC) to start the AC output, the LED

display screen of this product displays "AC" letter (AC) at this time, meaning the AC output, the electrical appliance starts work.

d. Single click (AC) or directly press the power button (Power) to turn off AC output, the electrical appliance stops work.

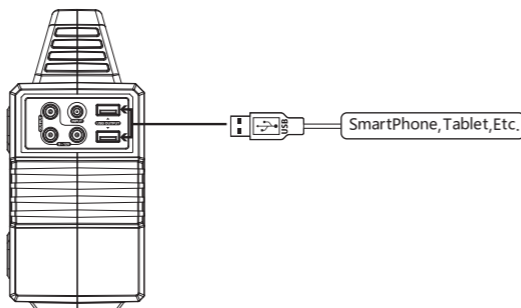
【Right】



3) How to provide power for USB digital appliances with this product?

Connect the standard USB cable of digital appliance with the USB interface of this product, then single click the power button (Power), then it can provide power for the digital appliance.

【Left】



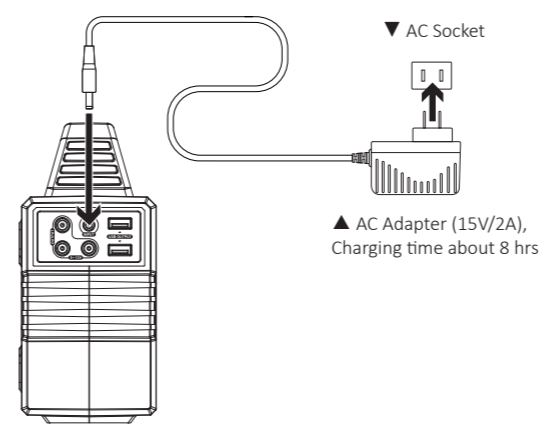
4) How to use the emergency light?

This product has emergency light, press the (Emergency Light) on the control panel, then you can turn on the emergency light, single click to switch the lighting mode, the order is long lighting white light → red and white light flash → white SOS aiding light → turn off.

5) How to recharge the product?

Connect the AC plug of standard charging adapter for this product to the household AC socket, connect the DC plug of standard charging adapter with the DC input interface (DC) of this product, then this product can be charged. At this time, the battery icon (Battery) will light up, the light will run. When the product is full of power, the battery icon will fully light. After the power station is fully charged, please remove the charger in time.

【Left】



【 IV 】 SECURITY AND MAINTENCE

- Do not short-circuit the unit. To avoid short-circuiting, keep the unit away from all metal objects (e.g. coins, hair-pins, keys, etc.).
- Do not heat the unit, or dispose of it in fire, water or other liquids. Keep away from high temperatures. Do not expose the unit to direct sunlight.
- Keep away from high humidity, dusty places.
- Do not disassemble or reassemble this unit.
- Do not drop, place heavy objects on, or allow strong impact to this unit.
- This appliance is not intended for use by persons (including children) with reduced physical, sensory or mental capabilities, or lack of experience and knowledge, unless they have been given supervision or instruction concerning use of the appliance by a person responsible for their safety.
- Children should be supervised to ensure that they do not play with the appliance.
- Do not cover the device with towels, clothing and other item.
- The unit may become hot when charging. This is normal. Use caution when handling.

- Do not charge the unit over the required time.
- Disconnect the unit when fully charged.
- Use the unit properly to avoid electronic shock.
- Please deal with scrap products in accordance with the regulations, do not treatment the built-in battery as a household garbage, so as not to cause the explosion and pollution.
- The product is only used for emergency power station, it can not replace the standard DC or AC power of household appliances or digital products.

【 V 】 PRODUCT APPLICATION SKILLS

- This product is built in high quality original lithium ion battery, it has no memory effect but high-capacity, and it is durable. However, we still recommend you to apply in the range of 10 C ~30 C, so as to obtain the optimal charging capacity;
- When charging, in order to avoid interference, please stay away from TV, radio and other equipment
- If the device has not been used for a long time, please disconnect the cable and store it
- Some portable devices may need to be set in charge mode to charge, see the corresponding equipment use manual for more information
- In order to extend the life of product (lithium battery), it is best to charge within 3 months, and charge at least once within 6 months.
- After starting, if there is no any output, it displays to automatically shut down within 3 minutes, so as to achieve better energy-saving effect.

Recycle

Always return your used electronic products, batteries, and packaging materials to dedicated collection points. This way you help prevent uncontrolled waste disposal and promote the recycling of materials.

Battery information

Your device has an internal, non-removable, rechargeable battery. Do not attempt to remove the battery, as you may damage the device.

The battery can be charged and discharged over 500 times, but it will eventually wear out.

Statement

All rights reserved. Reproduction in whole or in part without written permission is prohibited. All other trademarks are trademarks of their respective owners. Features and specifications are subject to change without notice.

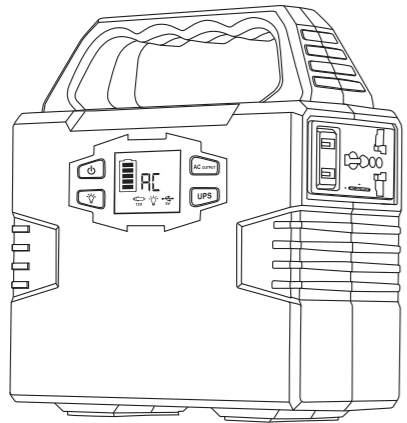


MADE IN CHINA

40800mAh/100W

便携式移动供电储能箱

使用说明书



操作前请仔细阅读该手册，并妥善保管！

关于本产品

非常感谢您使用本公司生产的多功能便携式移动供电储能箱产品。如果遇到停电，或者外出旅行需要用电，您可以使用该产品为您的电器或数码产品供电。本产品内置高品质锂聚合物电池，支持 DC 直流电与 AC 交流电输出，以及应急照明灯。使用本产品前，请认真阅读本用户手册，并妥善保存，以备查阅。

请注意！

本手册的用途在于帮助您正确地使用产品，并不代表对本产品的软硬件配置的任何说明。有关产品的配置情况，请查阅与本产品相关的合约（若有），或咨询向您出售产品的销售商。本手册中的图片仅供参考，如果有个别图片与产品实物不符，请以产品实物为准。

本电源提供修正正弦波 (Modified Sine Wave) 输出

本电源提供修正正弦波输出，可兼容使用标准正弦波工作的交流电电器（功率 <100W）工作，电器的工作效率会与采用正弦波的 AC 交流电效果有所不同，甚至会导致电器，如内置马达电机的电器（如风扇，带电机的打印机等）发出一定的工作噪音，这是正常的工作现象。本品仅作为应急用途，不可用来替代正常家用交流电使用，长期使用电器请务必采用电器所需供电规范。

【一】产品规格参数

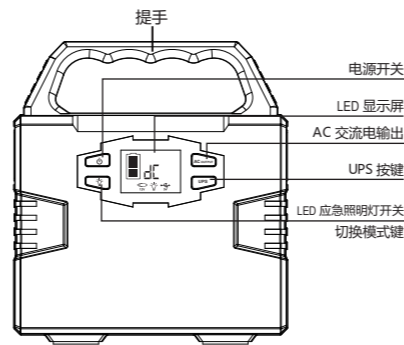
电池容量	40800mAh
产品尺寸 (LWH)	165×80×175mm
重量	1.5Kg
内置电池技术	100%原厂高品质锂聚合物电池
充电	DC15V/2A
充电时长	DC 15V:7-8 小时
输出	USB 5V-3.5A DC12V-15A (Max)
DC 直流功率 (MAX)	9~12.6V/15A, 180W(Max)

AC 输出	100W, 双路 修正波输出 支持 2 版本: 220/110V (不同国家地区定制)
照明	高亮 LED 白光照明 / 红白交替闪 / 白光 SOS
电量指示	LED 控制屏
工作温度	-20°C -60°C
循环寿命	>500 次
安全技术	U.S.T 倍安全技术
包装配件	1 × 便携式应急储能箱 1 × 充电器 1 × 车充 1 × 车载点烟器接口 1 × 使用手册

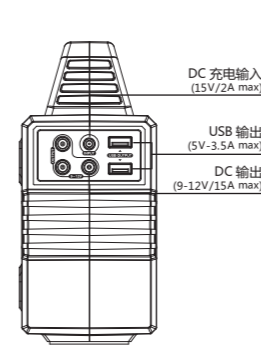
※ 注意不同产品配件可能有所差异，请以实际产品为准。

【二】产品功能说明

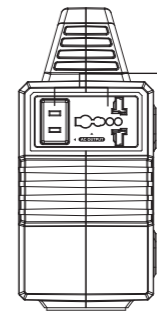
【产品正面】



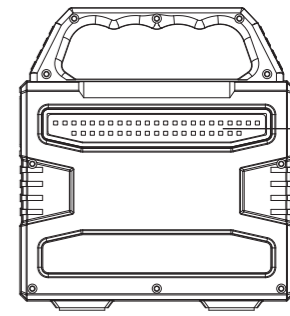
【产品左侧】



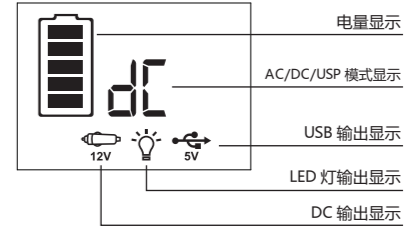
【产品右侧】



【产品背面】



【LED 显示屏】



应急照明灯开关 / 切换模式键：照明开关按键可独立开启照明灯，无需事先按电源开机键开机；

AC 交流电输出：此时 LED 控制面板 AC 亮起；

UPS 按键：当对本产品进行充电时，为保护内置电池，本产品交流电将不输出。

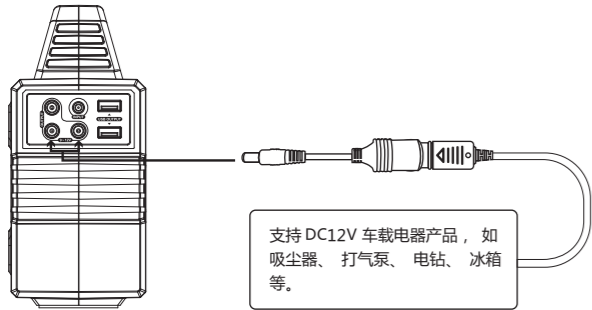
此时如果激活 UPS 按键，LED 面板将显示 UPS 字样，当电池电量充满后，拔下本产品 DC 充电线，AC 电源将直接输出为电器继续供电。如果不激活地 UPS 按键，用户则需要停止为本产品充电器，重新按本产品 开机键，并一次开启 AC 交流电输出。

【三】产品使用说明

1). 如何使用本产品为 DC12V 电器（如照明灯，风扇，收音机）供电？

请确定 DC12V 电器或照明设备接口是否为 DC5.5 公头规格接口（电源插头外径：5.5mm），否则无法与本机器 DC 输出母座连接，此时您可以咨询电器生产商，购买相应的转接头与本机连接。
通过点烟器与车载工具连接，实现供电
如果您的电器支持车充供电，您可以利用产品配标点烟器转接头连接本产品与您的电器，以实现供电目的。

【产品左侧】



支持 DC12V 车载电器产品，如吸尘器、打气泵、电钻、冰箱等。

※ 注意因电池为化学品，电压随容量下降而下降，本产品的 DC 输出电压的工作范围在 9~12.6V 之间，最大输出电流为 15A，如果您连接的 DC12V 电器不带稳压功能，当本产品 DC 端电压随内置电池电压下降时，将可能带来用电器不能正常工作，此时请停止使用该电器。

2). 如何使用本产品给 AC 交流电电器供电

a. 将该电器的电源线线缆插头连接到本产品 AC 交流电接口

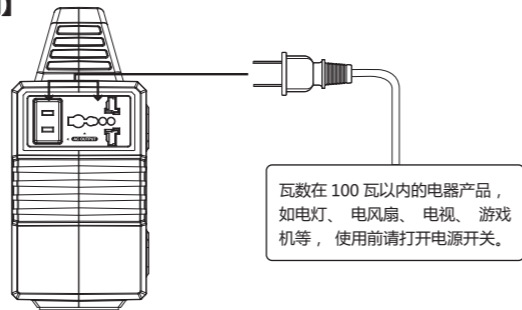
警告：不同国家接口规格与电压标准不同，使用前务必仔细查看产品的规格是否与电器的使用规格一致，否则可能导致危险情况。

b. 单击本产品 按键开机，单击 按键开启 AC 交流电输出，此时本产品 LED



显示屏显示 AC 字母 ，代表 AC 输出，电器开始工作；
c. 单击 或者直接按 关机按键可关闭 AC 交流电输出，电器停止工作。

【产品右侧】

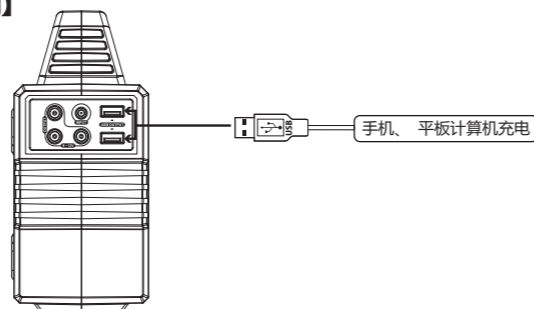


瓦数在 100 瓦以内的电器产品，如电灯、电风扇、电视、游戏机等，使用前请打开电源开关。

3). 如何使用本器给 USB 数码设备供电

将数码设备标配 USB 线缆连至本产品 USB 接口，然后单击本产品 按键，即可为数码设备实现供电续航。

【产品左侧】



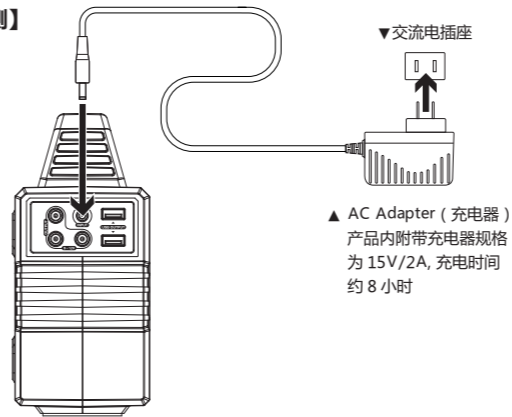
4). 如何使用应急照明灯？

本产品自带应急照明灯，按控制面板 即可开启应急照明灯，单击可切换照明模式，顺序是白光常亮→红白闪烁→白光 SOS 求救灯→关闭照明灯；
温馨提示：照明开关按键可独立开启照明灯，无需事先按电源开机键开机。

5). 如何为本产品进行充电

将本产品标配的充电适配器的 AC 交流电接头连接至家用 AC 交流电插座，将标配充电器 DC 接头接入本产品 DC 输入接口，即可为本产品进行充电，此时 电池图标将亮起，灯将跑动起来。本产品电源充满，电池图标将满格常亮。电源充满后，请及时移除充电器。

【产品左侧】



▲ AC Adapter (充电器) 产品内附带充电器规格为 15V/2A, 充电时间约 8 小时

【四】安全与维护

- 请勿让本装置发生短路。请避免将本装置与硬币，手饰，钥匙等金属物品一起存放；
- 请勿加热本装置或将其丢置于火中，水中及其它液体中，高温中，包括太阳直晒；
- 请勿将本装置置于高度潮湿，多尘的环境中；
- 请勿碰撞或私自拆装本装置；
- 请勿跌落、放置重物或强烈撞击本产品；
- 请将本产品置于生理、感知和心智能力低下的人士（包括小孩）、缺乏经验及相关知识者无法触及的地方。除非有负责他们安全的人员进行监督或指导，才能使用本产品；
- 请避免让小孩戏玩本产品；
- 使用时请勿用毛巾、衣物等物品覆盖本产品；

- 充电时本产品可能会发热。这是正常现象。处理时请小心；
- 充电时间请勿超过本产品充电所需时间；
- 便携设置充满后，请及时与本产品断开连接。
- 请按规定处理报废产品，不可将内置电池作为生活垃圾处理，以免引起爆炸和污染。
- 产品只做应急电源使用，不可替代家用电器或数码产品等标配直流电源或交流电源。
- 正常使用本产品，避免触电。

【五】产品使用技巧

- 本产品内置优质原厂锂离子电池，无记忆效应，大容量，持久耐用。但我们还是建议用户在 10°C~30°C 范围间使用，以获得最佳充电容量；
- 充电时，为了避免产生干扰，请尽量远离电视，收音机等设备；
- 如果长时间未使用本装置，请断开电缆再存放；
- 一些便携设备可能需要设定在充电模式方可充电，更多请查看对应设备使用手册；
- 为了延长产品（锂电池）的寿命，最好在 3 个月内充电一次，至少在 6 个月内充电一次；
- 开机后无任何输出时显示 3 分钟在自动关机，以更好实现节能效果。

【六】回收

请务必将废旧的电子产品、电池以及包装材料送交到专门的回收点。这样可以帮助防止不受控制的废弃物处理并帮助推动材料回收。

【七】电池信息

本设备有内置式不可拆卸充电电池。请勿尝试取出电池，以免损坏设备。电池可以充电、放电数百次以上，但最终会失效。

【八】声明

版权所有，非经本公司书面许可，任何单位和个人不得擅自摘抄、复制本书内容的部分或全部，并不得以任何形式传播。对于本手册中出现的其它商标，由各自的所有人拥有。由于产品版本升级或其它原因，本手册内容会不定期进行更新。除非另有约定，本手册仅作为使用指导，本手册中的所有陈述、信息和建议不构成任何明示或暗示的担保。