

TonneauMate™

OWNERS MANUAL



P.O. Box 1078, 2209 Kellen Gross Dr., Yankton SD 57078
Phone: 1-877-TRUXEDO (1-877-878-9336) Fax: (605) 664-9304

www.truxedo.com

P/N 1117442 Rev. A

TWO YEAR WARRANTY

TruXedo, Inc. warrants that all new, unused products are free from defects in material and workmanship. This Two Year Limited Warranty is effective if the product is properly installed and used for the purpose intended. It applies to the original buyer only. TruXedo's obligation under this Warranty is limited to repairing, or at its option, replacing any part that is returned, transportation prepaid, to TruXedo, Inc., Yankton, South Dakota, if the product is, in our judgment, defective. All materials must be accompanied by an RMA (Returned Material Authorization) number requested by and authorized in advance of returning the materials. TruXedo, Inc. shall not be liable or responsible to supply or pay labor to replace any part found defective, nor shall it be liable for any damages of any kind or nature to person, product, or property.

There are no Warranties for used products or products that have been repaired, altered, modified, subjected to misuse, negligence, accident or ordinary wear and tear.

TruXedo, Inc. products are sold without any express warranty except as set forth above. TruXedo, Inc. is not obligated to honor warranty claims if Genuine TruXedo, Inc. parts are not utilized.

SAFETY INSTRUCTIONS

1. Do not place objects on or against lid or framework.
2. Do not tie cargo to TonneauMate framework.
3. Never allow children or pets to occupy TonneauMate.
4. All mounting fasteners must be securely tightened before operation.

OWNER/USER RESPONSIBILITIES

It is the responsibility of the owner/user to read this manual and comply with the operating procedures. The owner/user is also responsible for inspecting the TonneauMate, and for having parts repaired or replaced when worn or damaged.

Failure to follow safety instructions and warning labels could result in failure of your TonneauMate and/or personal injury.

MESSAGES TO INSTALLER

- Always wear safety glasses and/or other necessary protective equipment when installing your TonneauMate.
- These instructions are complete for most pickup models. Additional instructions are included, if required for your truck. Please read entire manual before installing your TonneauMate.

TOOLS REQUIRED

1/2" & 9/16" Socket

TONNEAUMATE MAINTENANCE

TonneauMate can be hand washed with soap and water or cleaned in a car wash.

TONNEAUMATE LOAD RATING

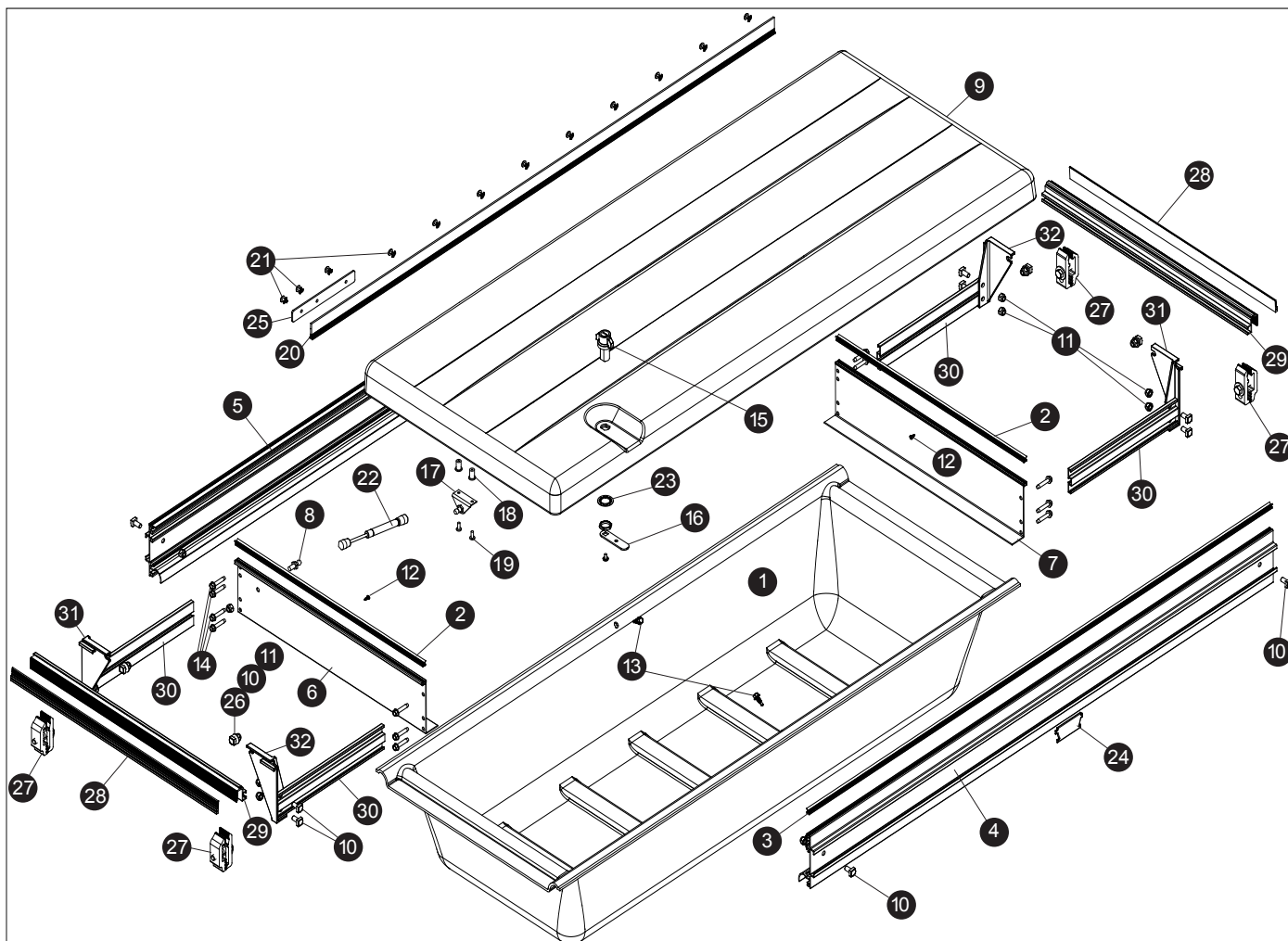
TonneauMate is rated for 250 lbs.

Direct all warranty claims to TruXedo, Inc. at 1-877-878-9336.

Register online at www.truxedo.com or mail this form to:
TruXedo, P.O. Box 1078, Yankton, SD 57078-1078

Name: _____
Address: _____
City: _____ State: _____ Zip: _____
Phone Number: _____
Email Address: _____
Date Purchased: _____ Price Paid: _____
Dealer Name: _____
Pickup Make: _____
Model: _____ Year: _____

Product Purchased:
 Original TruXedo
 TruXedo Lo Pro QT
 TruXedoPlus
 TruXport
 Deuce
 TonneauMate
 TonneauTrax



TRUXEDO® TONNEAUMATE REPLACEMENT PARTS

1 1704116	Pan	13 1704247	Self Drill Screw Hex Head	25 1704268	Backing Plate
2 1704234	Side Lid Seal	14 1704123	Self Tapping Screw Hex Head	26 1700427	Flat Washer
3 1704233	Front Lid Seal	15 1704126	Wing Handle Lock	27 1115190	Clamp (one)
4 1704236	Front Base	16 1704125	Locking Cam Lever	28 1704178	Rail Seal
5 1704235	Rear Base	17 1704243	Gas Spring Mount	29 1704157	Mounting Rail
6 1704237	Left Base	18 1704242	Jack Nut	30 1704239	Support Arm Base
7 1704238	Right Base	19 1704249	Machine Screw	31 1704113	Hanger Bracket Left
8 1703088	Ball Stud	20 1704232	Living Hinge	32 1704114	Hanger Bracket Right
9 1704240	Lid	21 1704251	3/16" Rivet		
10 1703595	Square Head Screw	22 1704248	Gas Spring		
11 1700419	Nylon Lock Nut	23 1704264	Lock Washer		
12 1703973	Self Drill Screw Pan Head	24 1704266	TonneauMate Logo		

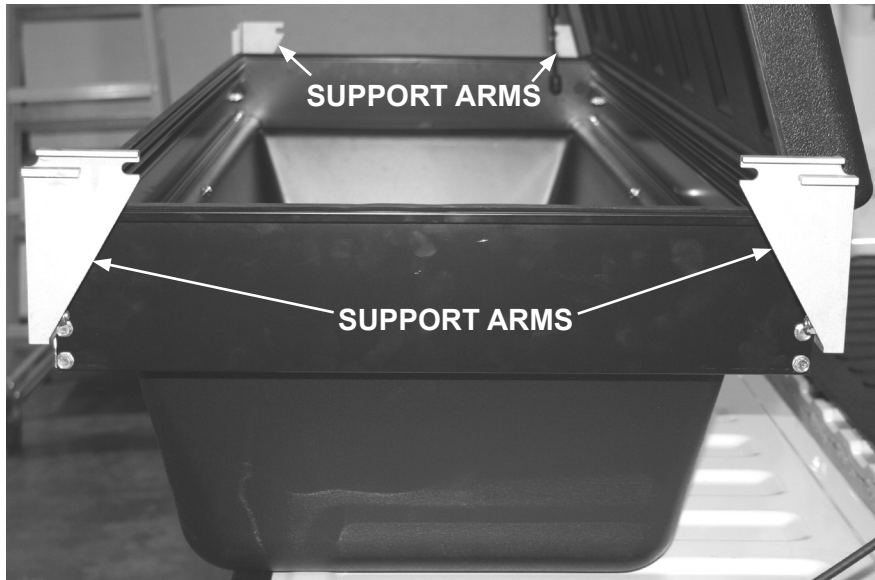
SUPPORT ARM INSTALLATIONS

- 1 Remove all hardware from inside the toolbox. Slide support arms into channel by aligning square head bolt until support arm slides in. Orient left/right support arms as shown below. Do not tighten fasteners at this time. The support arms need to slide in and out for installation. Close lid for ease of installation.

When Used With TruXedo Deuce Tonneau Cover:

Deuce kits will not need the mounting rails, seals, or adjustable clamps. For ease of installation on the Deuce, roll cover up and open Deuce from front. Go to step 3 for installation.

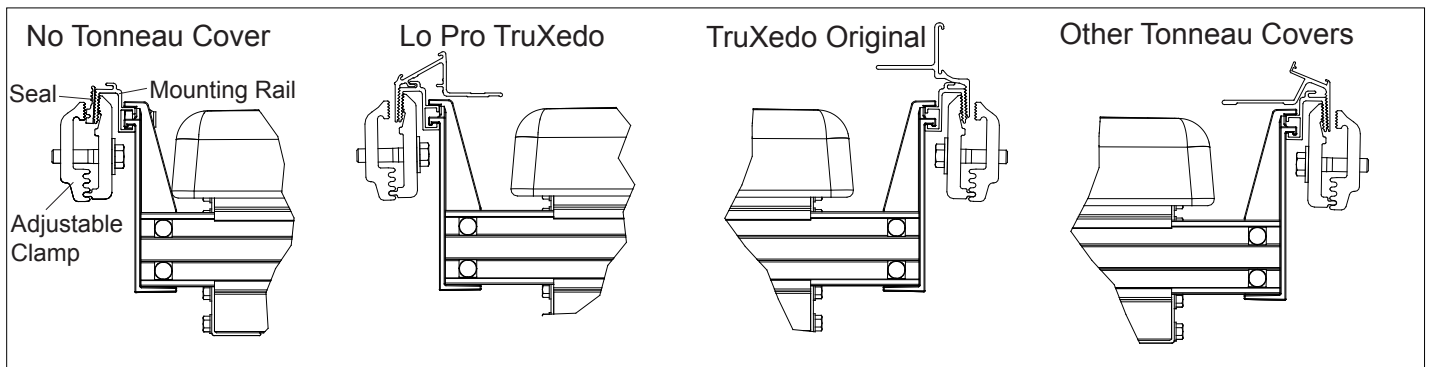
End View
of Toolbox



MOUNTING RAIL INSTALLATIONS

- 2 The toolbox can be mounted with many different applications. Choose one best for your application. When choosing the location to mount the mounting rail, keep in mind to allow room for opening lid. The illustrations below show a few different ways to mount the mounting rail.

Note: The toolbox may be mounted at the front, center, or rear of truck box. Use two adjustable clamps per rail, keep clamps towards the ends of mounting rail. Use rail seal only with no tonneau cover applications or some top mount applications. No seal is needed when mounting to an existing tonneau cover like the ones shown below.



Install clamps
towards end of
mounting rail

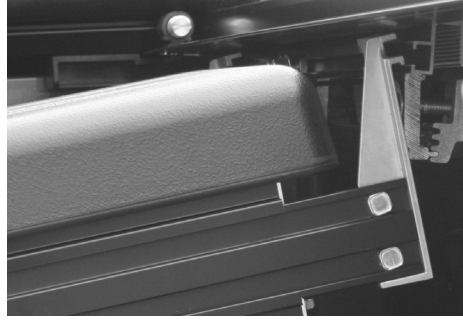


TOOLBOX AND FASTENERS INSTALLATION

- 3** Slide two square head bolts with washers and nuts to the center of the mounting rail.



- 4** Lift and hook one side of toolbox to mounting rail.



- 5** Lift and hook other side of toolbox to mounting rail.



- 6** Open lid to assure proper clearance.



- 7** Once the toolbox has been positioned, slide the fasteners over the hanger brackets and tighten securely. Tighten the four lock nuts on the inside of the toolbox to keep from sliding from side to side.

