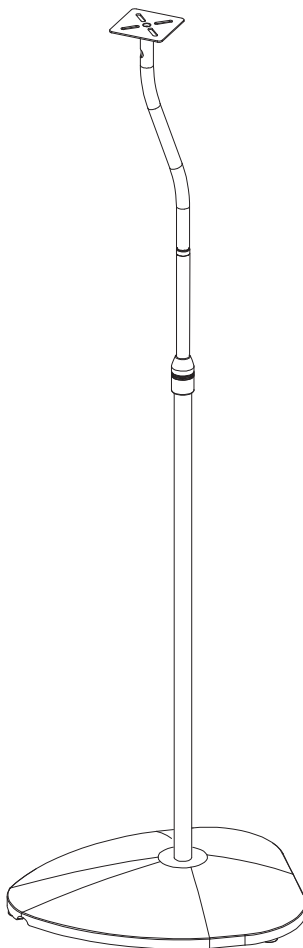




PERLESMITH

SPEAKER FLOOR STAND

V1.0



PSSS3



Thank you for choosing our product! We strive to provide the best quality and services for our customers. Would you kindly share your experience on Amazon if you are satisfied? Should you have any issues, please don't hesitate to contact us.

Telephone: 800-5566-806 Mon-Fri 10am - 6pm (PST) (USA) (CAN)

Email: supportus@perlesmith.com (US/CA/DE/UK/FR/IT/ES/JP/AU)

WARNING!

WARNING! SEVERE PERSONAL INJURY AND PROPERTY DAMAGE CAN RESULT FROM IMPROPER INSTALLATION OR ASSEMBLY. READ THE FOLLOWING WARNINGS BEFORE BEGINNING.

If you do not understand the instructions or have any concerns or questions, please contact us at supportus@perlesmith.com or a qualified installer.

Do not install or assemble if the product or hardware is damaged or missing. Not all parts and hardware included will be used. If you require replacement parts, please contact us at supportus@perlesmith.com.

This product may contain moving parts. Use with caution.

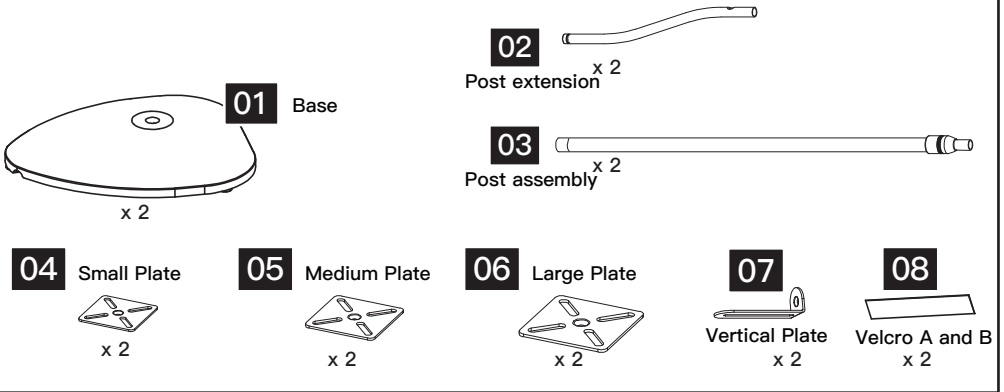
Please check www.perlesmith.com for more products and company information.

TOOLS NEEDED (NOT INCLUDED)

- Screwdriver

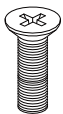


SUPPLIED PARTS



HARDWARE KIT

Screw
M5x15mm



x2

A

Screw
1/4" x 1/2"



x2

B

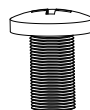
Plastic Nut



x2

C

Screw
M6x12mm



x2

D

Washer
φ6.5



x2

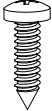







E

Nut
M6



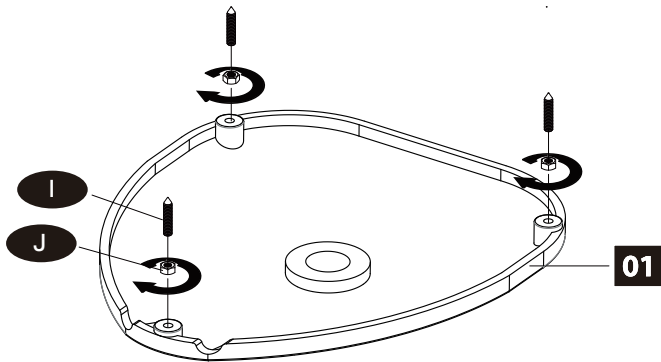
x2

F

Wood Screw M4x16mm	Washer φ4.7	Nail	Nut	Pad	Screw #6-32x1-1/4	Washer #6	Nut #6
							
x2	x2	x6	x6	x6	x2	x2	x2
G	H	I	J	K	L	M	N

STEP 1 Attach the Nails or Rubber Pads to the Base

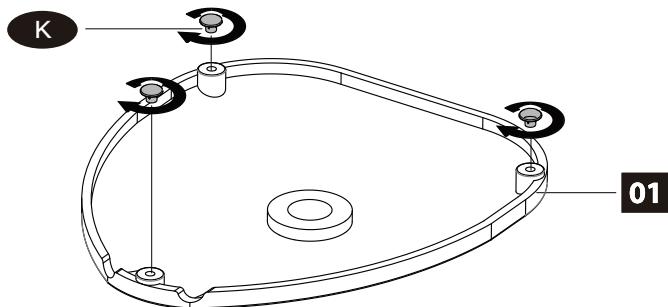
**OPT
A**



Used for carpet

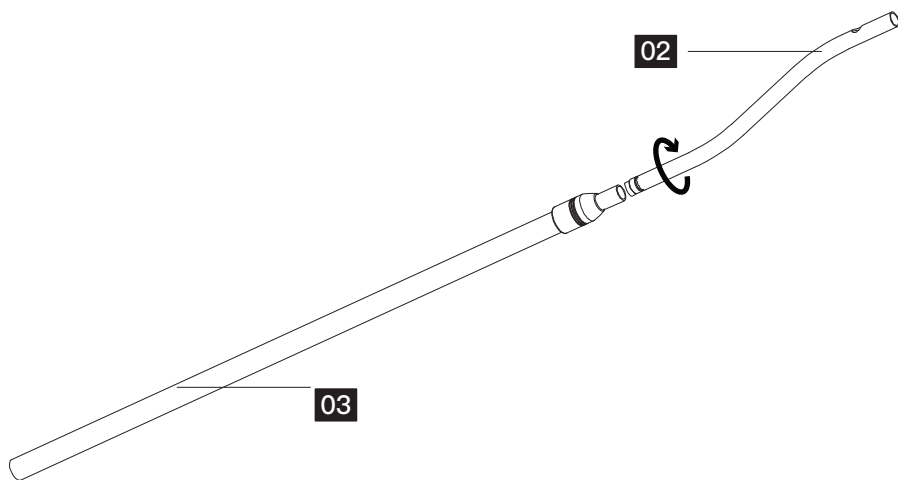
**OPT
B**

Rotate and insert the rubber pads into the holes.

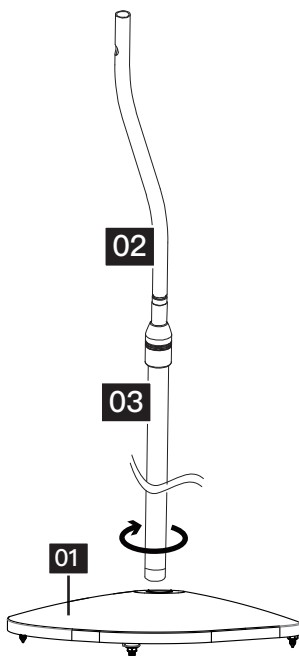


Used for marble floors or wooden floors

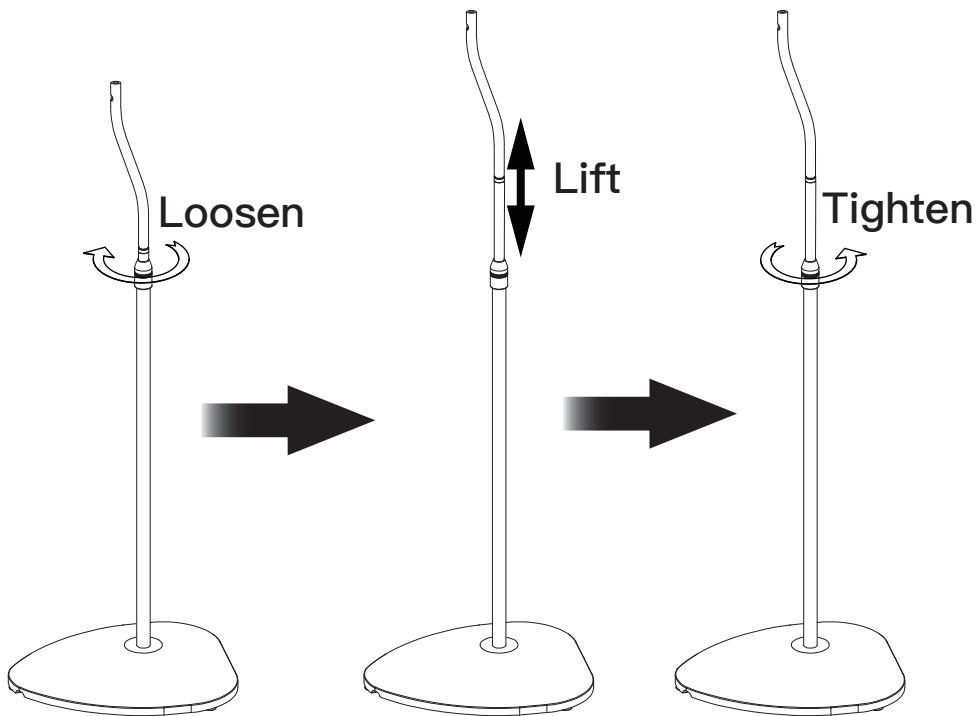
STEP 2A Fasten the Post Extension **02** to the Post Assembly **03**



STEP 2B Fasten the Post assembly to the base

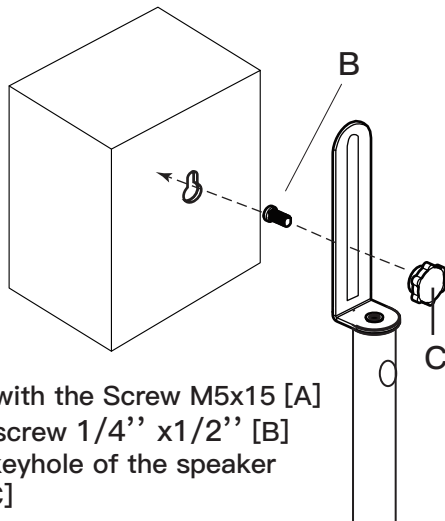
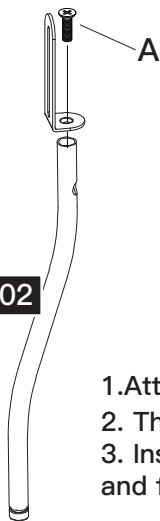


STEP 2C Adjust the Post Assembly to the Desired Height



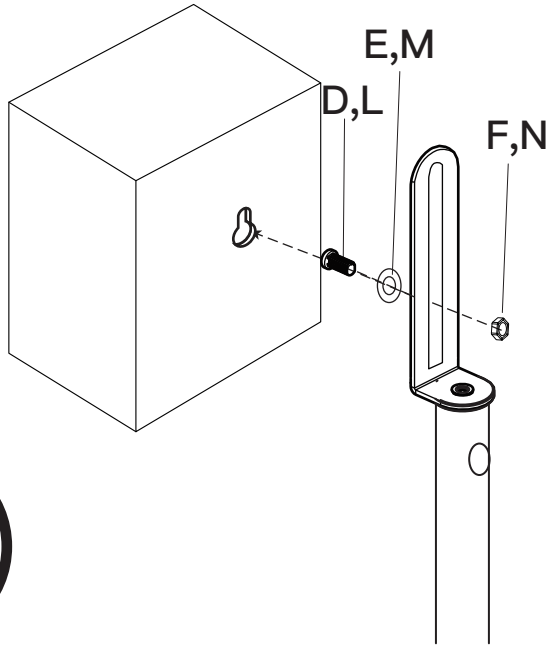
STEP 3 Secure Speaker to Stand

Speaker option A1: Keyhole insert

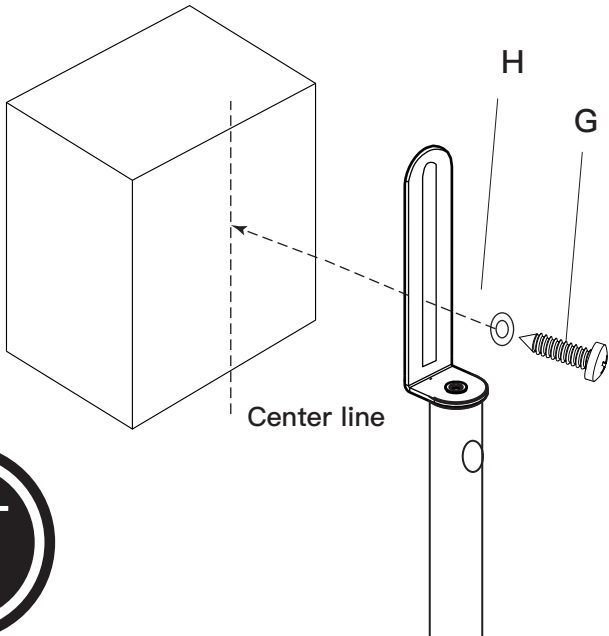


1. Attach Vertical Plate [07] with the Screw M5x15 [A]
2. Thread plastic nut [C] to screw 1/4" x 1/2" [B]
3. Insert screw [B] into the keyhole of the speaker and fasten the plastic nut [C]

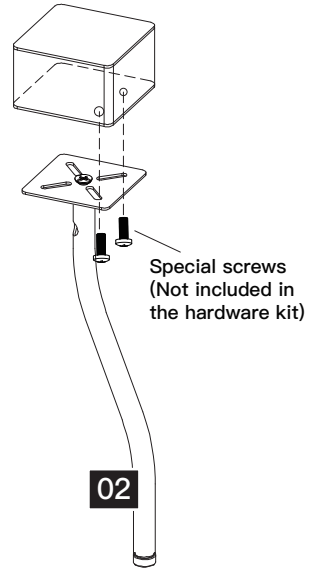
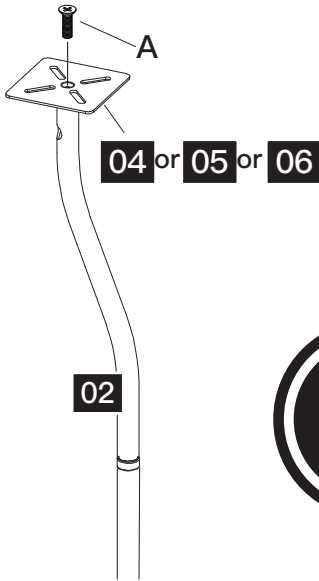
Speaker Option A2: Keyhole Insert



Speaker Option A3: Wooden Shell
Speaker without Thread hole

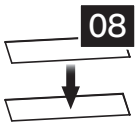


Speaker Option B1: Thread Holes Locate at the Bottom of the Speaker

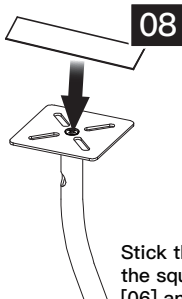


**OPT
B1**

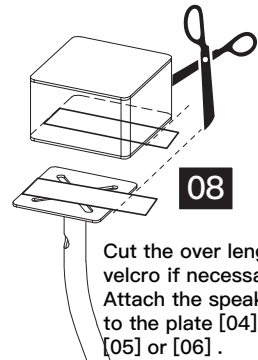
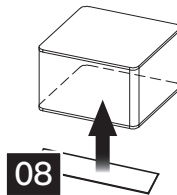
Speaker Option B2: Speakers with Smooth Surface on the Bottom without Thread Holes



Separate velcro A and B [08], remove the paper.



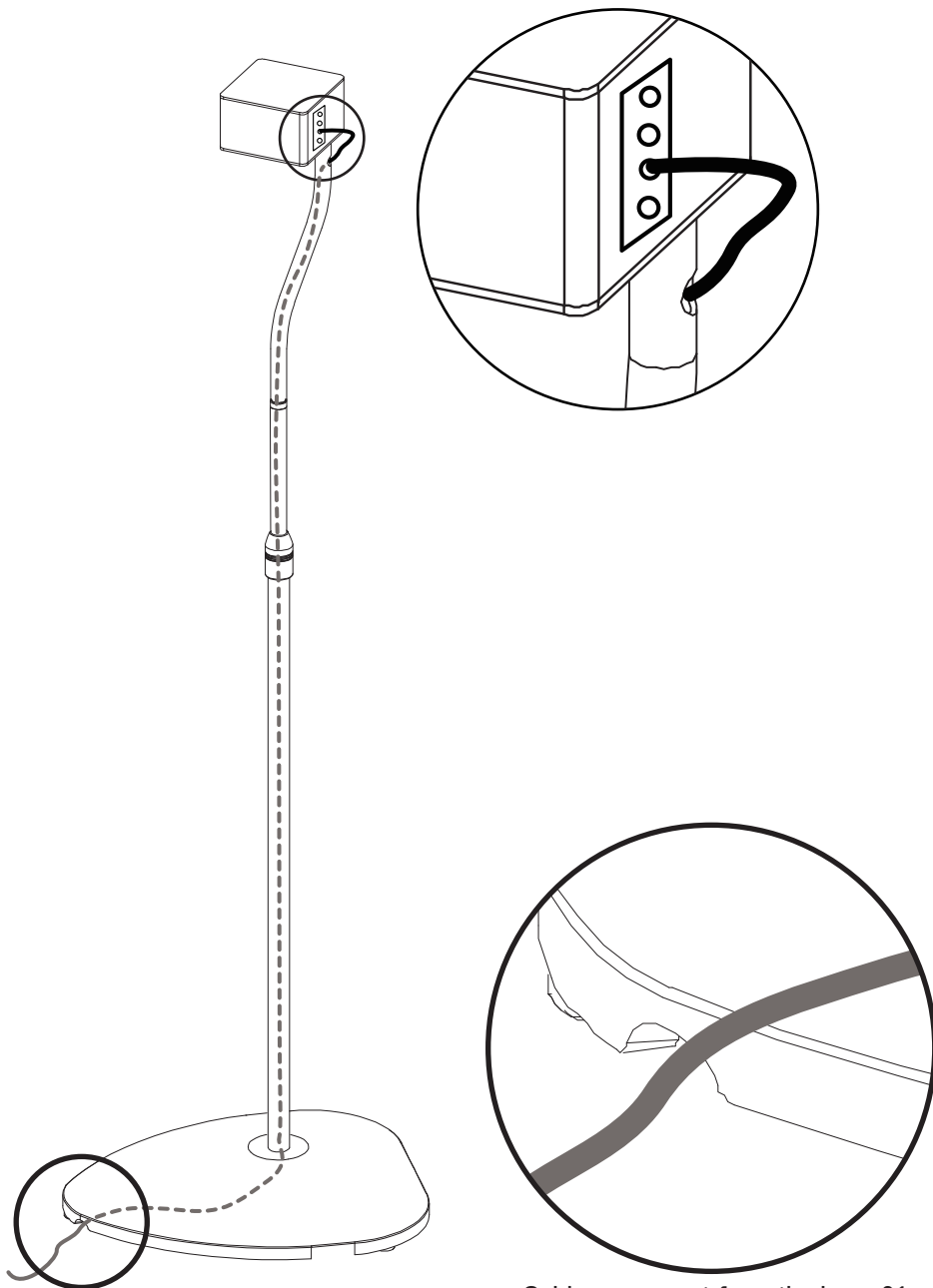
Stick the velcro A and B [08] on the square plate [04] or [05] or [06] and the bottom of the speaker.



Cut the over length velcro if necessary. Attach the speaker to the plate [04] or [05] or [06] .

**OPT
B2**

STEP 4 Route the cables



Cable comes out from the base 01