



## TABLE OF CONTENTS

Important Safeguards.....	2
Additional Important Safeguards.....	3
Notes on the Plug .....	3
Notes on the Cord.....	3
Plasticizer Warning .....	3
Electric Power .....	4
Carafe Safety Precautions .....	4
Coffee Yield.....	4
Permanent Coffee Filter .....	4
Getting to Know Your 12 Cup Coffee Maker.....	5
Before Using for the First Time .....	6
Brewing Coffee Instructions .....	6
Pause and Serve .....	7
Brewing a Second Carafe of Coffee .....	7
Hints for Great Tasting Coffee .....	7
User Maintenance Instructions .....	8
Care & Cleaning Instructions .....	8
Descaling .....	8
Storing Instructions.....	8
Warranty.....	9

## ÍNDICE

Medidas de seguridad importantes .....	10
Medidas de seguridad importantes adicionales .....	11
Notas sobre el Enchufe .....	11
Notas sobre el Cable.....	11
Advertencia sobre plástico .....	11
Energía Eléctrica.....	12
Medidas de seguridad para la Jarra .....	12
Rendimiento de café .....	12
Filtro de café permanente.....	12
Introducción a la Cafetera de 12 Tazas .....	13
Antes de utilizar por primera vez .....	14
Instrucciones para la preparación de café .....	14
Hacer pausa y servir.....	15
Preparar una segunda jarra de café .....	15
Consejos para un café con gran sabor.....	15
Instrucciones de Mantenimiento para el Usuario .....	16
Instrucciones de Cuidado y Limpieza .....	16
Descalcificación.....	16
Instrucciones de Almacenamiento .....	16
Garantía .....	17

# IMPORTANT SAFEGUARDS

When using electrical appliances, basic safety precautions should always be followed including the following:

- 1. Read all instructions.**
2. Do not touch hot surfaces. Use handles or knobs.
3. To protect against electrical hazards, do not immerse cord, plugs, or the appliance in water or other liquid.
4. This appliance is not intended for use by persons (including children) with reduced physical, sensory or mental capabilities, or lack of experience and knowledge, unless they have been given supervision or instruction concerning use of the appliance by a person responsible for their safety.
5. Children should be supervised to ensure that they do not play with the appliance.
6. Unplug from outlet when not in use and before cleaning. Allow to cool before putting on or taking off parts, and before cleaning the appliance.
7. Do not operate any appliance with a damaged cord or plug or after the appliance malfunctions, or has been damaged in any manner. Bring it to a qualified technician for examination, repair or electrical or mechanical adjustment.
8. The use of accessories or attachments not recommended by the manufacturer may result in fire, electric shock or injury.
9. Do not use outdoors.
10. Do not let cord hang over edge of table or counter, or touch hot surfaces.
11. Do not place on or near a hot gas or electric burner, or in a heated oven.
12. Always fill water reservoir first then plug cord into the wall outlet.
13. To interrupt the brewing cycle at any time, press the BREW button. Remove plug from wall outlet.
14. Do not use appliance for other than intended use.
15. Extreme caution must be used when moving an appliance containing hot liquids.
16. Scalding may occur if the coffee maker lid is removed during the brewing cycle.
17. To avoid injury, use care when pouring hot brewed coffee. Make sure the carafe lid is in position before pouring. Tilt the carafe slightly and pour hot coffee very slowly, so that the flow of the brewed coffee does not exceed the width of the spout.
18. The carafe is designed for use with this appliance. It must never be used on a range top.
19. Do not place the carafe on a wet or cold surface or in a microwave oven.
20. Do not use the carafe if it is cracked or has a loose or weakened handle.
21. Do not clean the carafe or the warming plate with cleansers, steel wool pads or other abrasive material.

## SAVE THESE INSTRUCTIONS FOR HOUSEHOLD USE ONLY

# ADDITIONAL IMPORTANT SAFEGUARDS

**WARNING:** This appliance generates heat and escaping steam during use. Proper precautions must be taken to prevent the risk of burns, fires, or other injury to persons or damage to property.

1. All users of this appliance must read and understand this Instruction Manual before operating or cleaning this appliance.
2. The cord to this appliance should be plugged into a 120V AC electrical outlet only.
3. Use water only in this appliance! Do not put any other liquids or food products in this appliance. Do not mix or add anything to the water placed in this appliance, except as instructed in the User Maintenance Instructions to clean the appliance.
4. DO NOT attempt to move an appliance containing hot liquids. Allow appliance to cool completely before moving.
5. Keep appliance at least 4 inches away from walls or other objects during operation. Do not place any objects on top of appliance while it is operating. Place the appliance on a surface that is resistant to heat.
6. If this appliance begins to malfunction during use, immediately press the BREW button and unplug the cord. Do not use or attempt to repair the malfunctioning appliance.
7. If this appliance falls or accidentally becomes immersed in water or any other liquid, unplug it immediately. **Do not reach into the water!** Do not use this appliance after it has fallen into or has become immersed in water.
8. The appliance must be left to cool down sufficiently before adding more water to avoid exposure to steam.
9. Always use fresh, cool water in your appliance. Warm water or other liquids, except as listed in cleaning section, may cause damage to the appliance.
10. DO NOT put carafe into a microwave oven.
11. DO NOT leave empty carafe on warming plate when appliance is turned ON, as the carafe may crack or become otherwise damaged.

**CAUTION:** To prevent injury when utilizing the pause and serve feature, replace carafe within 30 seconds of removing during brewing process.

## NOTES ON THE PLUG

This appliance has a polarized plug (one blade is wider than the other). To reduce the risk of electric shock, this plug will fit in a polarized outlet only one way. If the plug does not fit fully into the outlet, reverse the plug. If it still does not fit, contact a qualified electrician. Do not modify the plug in any way.

## NOTES ON THE CORD

The provided short power-supply cord (or detachable power-supply cord) should be used to reduce the risk resulting from becoming entangled in or tripping over a longer cord. Do not use an extension cord with this product.

## PLASTICIZER WARNING

**CAUTION:** To prevent Plasticizers from migrating to the finish of the counter top or table top or other furniture, place NON-PLASTIC coasters or place mats between the appliance and the finish of the counter top or table top. Failure to do so may cause the finish to darken; permanent blemishes may occur or stains can appear.

## **ELECTRIC POWER**

If the electrical circuit is overloaded with other appliances, your appliance may not operate properly. It should be operated on a separate electrical circuit from other appliances.

## **CARAFE SAFETY PRECAUTIONS**

1. Do not use a cracked carafe having a loose or weakened handle.
2. This carafe is designed to be used only on the warming plate of this Coffee Maker. Do not use in a conventional oven.
3. To avoid breakage, handle carafe with care. Avoid impact. Glass will break as a result of impact. Use carefully when filling with water to avoid hitting faucet.
4. Do not place hot carafe on cool or wet surface. Allow to cool before washing or adding liquids.
5. Do not set empty carafe on a hot heating surface. Do not clean with steel wool pads, abrasive cleanser, or any other materials that may scratch.
6. Do not bump, scratch, or boil dry.
7. Discard carafe if it is cracked, scratched, or heated while empty for an extended period of time.

## **COFFEE YIELD**

12 Cup Coffee Maker: 12 (5-oz.) cups

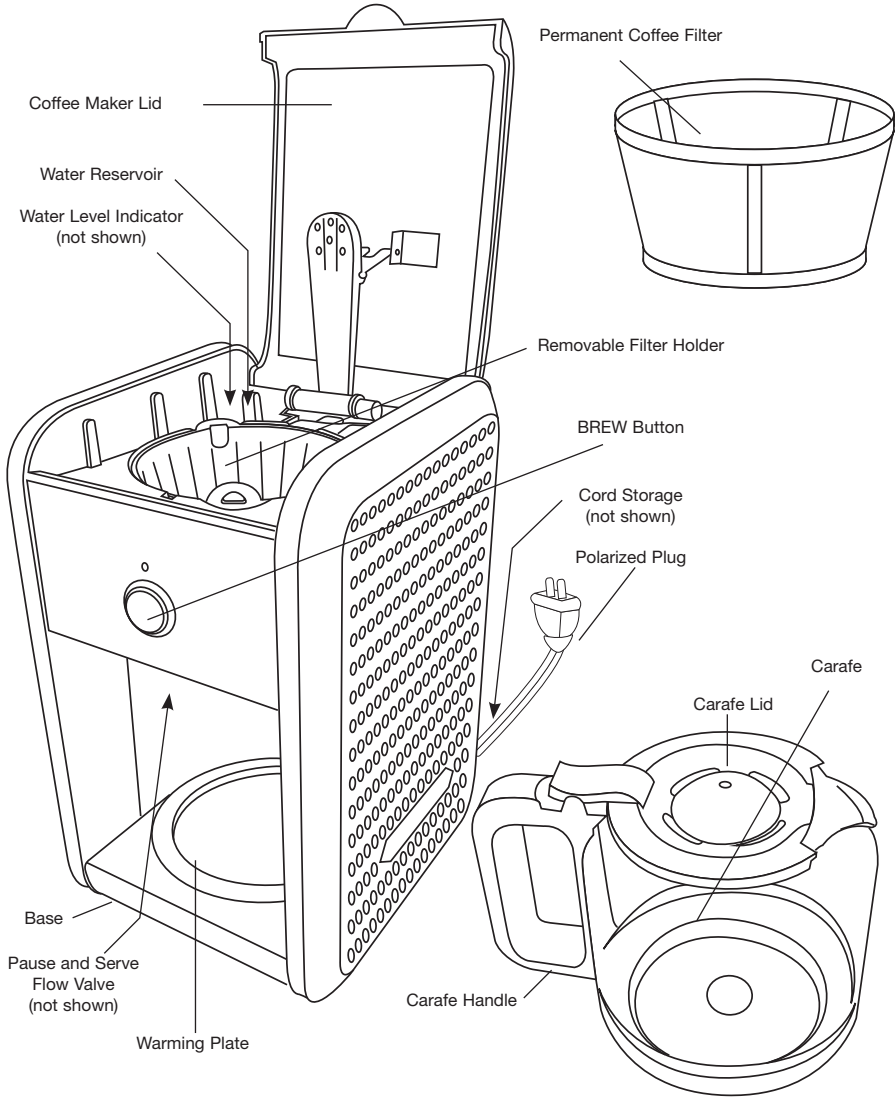
**NOTE:** A 5-oz. cup is the American industry standard and is used by most Coffee Maker manufacturers. To fill your favorite over-sized mug, fill water reservoir with enough water for 3 to 4 cups (15 to 20 ounces).

**WARNING:** TO REDUCE THE RISK OF FIRE OR ELECTRIC SHOCK, DO NOT REMOVE THE BOTTOM COVER. NO USER-SERVICEABLE PARTS INSIDE. REPAIR SHOULD BE DONE BY AUTHORIZED SERVICE PERSONNEL ONLY.

## **PERMANENT COFFEE FILTER**

1. The permanent filter included with the Coffee Maker eliminates the need for disposable papers filters.
2. Use the permanent coffee filter handle to lift it up and out of the removable filter holder; discard used coffee grounds, rinse and replace.

# GETTING TO KNOW YOUR 12 CUP COFFEE MAKER



## BEFORE USING FOR THE FIRST TIME

**CAUTION:** To protect against electrical shock, do not immerse the Coffee Maker or allow power cord to come into contact with water or other liquids.

1. Remove all packing material and labels from the inside and outside of the Coffee Maker. Place the unit on a flat, clean surface.
2. Before preparing coffee, thoroughly clean the glass carafe and lid, removable filter holder and permanent coffee filter in hot, sudsy water. Rinse and dry. Replace disassembled parts. See Care & Cleaning Instructions for a detailed description.
3. Clean the inside of the Coffee Maker by brewing 2 full carafes of water (see Brewing Coffee Instructions). Do not add the permanent coffee filter or ground coffee for this initial cleaning.

**NOTE:** At the end of the first cycle, allow 15 minutes for the unit to cool.

4. Brew a second carafe of fresh water.
5. Wait an additional 15 minutes to allow the unit to cool before brewing your first carafe of coffee.

## BREWING COFFEE INSTRUCTIONS

1. Lift to open the Coffee Maker lid. Fill carafe with cold water and pour into water reservoir at the back of the unit. The stepped water level indicator can be easily viewed inside unit.

**IMPORTANT:** Before brewing, always check to make sure water level is past the MIN line and add water if needed. Never exceed the MAX fill line.

**NOTE:** The amount of brewed coffee will always be less than the amount of water placed into the water reservoir; as much as 10% is absorbed by coffee grounds and filter.

2. Place empty carafe on the warming plate.
3. Place the permanent filter in the removable filter holder. Approximately 1 level tablespoon is recommended for each cup of coffee desired. For stronger or milder coffee, adjust amount of coffee to suit your taste.
4. Drop the filter holder down into the housing. Close the lid.
5. Plug Coffee Maker into a 120V AC electrical wall outlet.
6. Press the BREW button. The Coffee Maker will begin the brew cycle.

**NOTE:** To interrupt the brewing process at any time, press the BREW button; then remove plug from wall outlet.

7. Using the pause and serve feature: If you wish to serve a cup of coffee before the brew cycle is completed, simply remove carafe from warming plate. Dripping will automatically cease. Return carafe to position on warming plate; dripping will resume.

**CAUTION:** To prevent injury when utilizing pause and serve feature, replace carafe within 30 seconds after removing during the brewing process.

8. Upon completion of the brew cycle, wait at least 1 minute until the brew dripping from the filter holder into the carafe has stopped. The carafe lid should be kept in place to facilitate safe serving and help keep coffee at proper serving temperature. Tilt the carafe slightly and pour hot coffee very slowly, so that the flow of the brewed coffee does not exceed the width of the spout.
9. Press the BREW button to turn the Coffee Maker OFF when the carafe is empty or when unit is not in use; then remove plug from wall outlet.

## PAUSE AND SERVE

1. After approximately 2 cups of coffee have been brewed, the carafe may be slowly removed and the coffee will stop dripping.
2. The flow valve is located on the bottom of the filter holder and is activated when the carafe is removed. This design makes it possible for you to remove the carafe and pour a cup of coffee before the entire carafe is brewed.  
**IMPORTANT:** When replacing the filter holder, the flow valve must be properly inserted into the front hole of the machine, so that it can be seen as it sits on the top of the carafe lid.
3. When using this feature, make sure that the carafe is replaced under the filter holder within 30 seconds to prevent overflow.

## BREWING A SECOND CARAFE OF COFFEE

1. To brew another carafe of coffee, press the BREW button to turn the Coffee Maker OFF. Remove plug from wall outlet. It is recommended that the Coffee Maker be OFF and allowed to cool for 15 minutes between cycles.  
**CAUTION:** Failure to allow Coffee Maker to cool sufficiently could cause hot steam and spray when the water is added to the water reservoir. The hot steam can cause severe burns.
2. Lift the Coffee Maker lid. Unfold the handle, lift and remove the permanent coffee filter; discard used coffee grounds, rinse in cool, clean water.
3. Lift the removable filter holder up and out of the Coffee Maker.
4. Rinse the glass carafe and removable filter holder in cool, clean water.  
**IMPORTANT:** Before brewing a second carafe, always check to make sure water level is past the MIN line; add the desired amount of cold tap water into the water reservoir.
5. Place empty carafe on the warming plate.
6. Place the permanent filter in the removable filter holder. Approximately 1 level tablespoon is recommended for each cup of coffee desired
7. Drop the filter holder down into the housing. Close the lid.
8. Plug Coffee Maker into a 120V AC electrical wall outlet.
9. Press the BREW button. Brewing will begin.

## HINTS FOR GREAT TASTING COFFEE

- A clean Coffee Maker is essential for making great tasting coffee. Regular cleaning, as described in the Care & Cleaning Instructions and Descaling sections of this Instruction Manual is highly recommended.
- Always use fresh, cold water in your Coffee Maker.
- Finer grinds promote fuller extraction and provide rich, full-bodied coffee. Regular grind will require slightly more coffee per cup to provide the strength of a finer grind.
- Store coffee in a cool, dry place. Once coffee has been opened, keep it tightly sealed in the refrigerator to maintain freshness.
- For optimum coffee flavor, buy whole beans and grind them finely just before brewing.
- Do not re-use coffee grounds since this will greatly impair coffee flavor.
- Reheating coffee is not recommended. Coffee is at its peak flavor immediately after brewing.
- Small oil droplets on the surface of brewed, black coffee are due to the extraction of oil from the coffee grounds. Oiliness may occur more frequently if heavily roasted coffees are used. Over extraction may also cause oiliness, indicating a need to clean your Coffee Maker.

## USER MAINTENANCE INSTRUCTIONS

This appliance requires little maintenance. It contains no user-serviceable parts. Any servicing requiring disassembly other than cleaning must be performed by a qualified appliance repair technician.

## CARE & CLEANING INSTRUCTIONS

1. Always make sure Coffee Maker is unplugged and the warming plate is cool before attempting to clean.
2. After every use, remove the permanent coffee filter, discard used coffee grounds, rinse thoroughly.
3. Wash the removable filter holder and glass carafe in hot, sudsy water. If necessary, scrub the inside of the carafe lid with a soaped kitchen brush.  
**WARNING:** To avoid breakage, handle carafe with care. Avoid impact. Glass will break as a result of impact. Use care when filling with water to avoid hitting faucet.
4. Wipe the exterior with a damp cloth to remove superficial stains. For stubborn stains, use a nylon or plastic pad with a non-abrasive cleanser. Do not use metal scouring pads or abrasive cleansers.
5. Dry and replace disassembled parts. Make sure the removable filter holder drops down and is properly seated into the housing.
6. Close the lid.

## DESCALING

Special cleaning of your Coffee Maker is recommended at least once a month, depending on frequency of use and quality of water used in the unit. If water in your area is especially hard, the following cleaning procedure should be performed every 2 weeks, since minerals in water can detract from the flavor of the coffee and possibly lengthen brew time.

1. Fill carafe with 1 part white vinegar to 3 parts cold water. Pour water and vinegar solution into the water reservoir.
2. Brew the vinegar solution until the carafe is half full.  
**NOTE:** During cleaning, more steam will occur than during normal coffee brewing.
3. Press the BREW button to turn Coffee Maker OFF. When liquid stops dripping from filter holder into the carafe, remove the carafe and allow liquid to cool for 15 minutes. When cooled, lift lid and pour liquid back into the water reservoir.
4. Close the lid. Return carafe to the warming plate.
5. BREW THE VINEGAR SOLUTION again, allowing all the cleaning solution to empty into the carafe. After dripping has stopped, discard contents of the carafe.
6. Allow Coffee Maker to cool for 15 minutes, rinse by brewing a carafe full of cold water. Insert the clean permanent coffee filter into the removable filter holder before brewing.
7. At end of brew cycle, press the BREW button to turn Coffee Maker OFF. Discard water in the carafe. Wash carafe, permanent coffee filter, and removable filter holder in hot sudsy water. Dry parts thoroughly.
8. When Coffee Maker has cooled, wipe exterior with a dry cloth.

## STORING INSTRUCTIONS

1. Unplug unit and allow to cool.
2. Store Coffee Maker in its box or in a cool, dry place.
3. Never store unit while it is still plugged in.



## Limited TWO-YEAR Warranty

SENSIO Inc. hereby warrants that for a period of **TWO YEARS** from the date of purchase, this product will be free from mechanical defects in material and workmanship, and for 90 days in respect to non-mechanical parts. At its sole discretion, SENSIO Inc. will either repair or replace the product found to be defective, or issue a refund on the product during the warranty period.

The warranty is only valid for the original retail purchaser from the date of initial retail purchase and is not transferable. Keep the original sales receipt, as proof of purchase is required to obtain warranty validation. Retail stores selling this product do not have the right to alter, modify, or in any way revise the terms and conditions of the warranty.

### **EXCLUSIONS:**

The warranty does not cover normal wear of parts or damage resulting from any of the following: negligent use of the product, use of improper voltage or current, improper routine maintenance, use contrary to the operating instructions, disassembly, repair, or alteration by anyone other than qualified SENSIO Inc. personnel. Also, the warranty does not cover Acts of God such as fire, floods, hurricanes, or tornadoes.

SENSIO Inc. shall not be liable for any incidental or consequential damages caused by the breach of any express or implied warranty. Apart from the extent prohibited by applicable law, any implied warranty of merchantability or fitness for a particular purpose is limited in time to the duration of the warranty. Some states, provinces or jurisdictions do not allow the exclusion or limitation of incidental or consequential damages, or limitations on how long an implied warranty lasts, and therefore, the above exclusions or limitations may not apply to you. The warranty covers specific legal rights which may vary by state, province and/or jurisdiction.

### **HOW TO OBTAIN WARRANTY SERVICE:**

You must contact Customer Service at our toll-free number: 1-866-832-4843. A Customer Service Representative will attempt to resolve warranty issues over the phone. If the Customer Service Representative is unable to resolve the problem, you will be provided with a case number and asked to return the product to SENSIO Inc. Attach a tag to the product that includes: your name, address, daytime contact telephone number, case number, and description of the problem. Also, include a copy of the original sales receipt. Carefully package the tagged product with the sales receipt, and send it (with shipping and insurance prepaid) to SENSIO Inc.'s address. SENSIO Inc. shall bear no responsibility or liability for the returned product while in transit to SENSIO Inc.'s Customer Service Center.

# MEDIDAS DE SEGURIDAD IMPORTANTES

Cuando use aparatos eléctricos, las precauciones básicas de seguridad deben siempre ser seguidas, incluyendo las siguientes:

1. Lea todas las instrucciones.
2. No toque las superficies calientes. Utilice las asas o las perillas.
3. Para protegerse contra descargas eléctricas, no sumerja el cable, los enchufes o el aparato en agua u otro líquido.
4. Este aparato no está diseñado para ser utilizado por personas (incluidos niños) con capacidades físicas, sensoriales o mentales reducidas, o con falta de experiencia y/o conocimiento, al menos que sean supervisados o instruidos acerca del uso del aparato por una persona responsable de su seguridad.
5. Los niños deben ser supervisados para asegurarse de que no jueguen con el aparato.
6. Desenchufe del tomacorriente cuando no esté en uso y antes de limpiarlo. Deje que se enfríe antes de colocar o quitar piezas, y antes de limpiarlo.
7. No opere ningún aparato con un cable o enchufe dañado o después de un mal funcionamiento, o ha sido dañado de alguna manera. Llévelo a un técnico calificado para ser examinado, reparado o para ajuste eléctrico o mecánico.
8. El uso de accesorios no recomendados por el fabricante puede causar incendios, descargas eléctricas o lesiones.
9. No use al aire libre.
10. No permita que el cable cuelgue sobre el borde de la mesa o mostrador, ni que toque superficies calientes.
11. No lo coloque sobre o cerca de un calentador caliente a gas o eléctrico, o en un horno caliente.
12. Siempre llene el tanque de agua antes de enchufar el cable a la toma de corriente.
13. Para interrumpir en cualquier momento el ciclo de preparación, presione el botón de BREW. Retire el enchufe del tomacorriente.
14. No utilice el aparato para otro uso distinto al indicado.
15. Debe tener mucho cuidado cuando mueva un aparato que contenga líquidos calientes.
16. Pueden ocurrir quemaduras si la tapa de la cafetera es retirada durante el ciclo de preparación.
17. Para evitar lesiones, tenga cuidado al verter el café caliente. Asegúrese de que la tapa de la jarra está en posición antes de servir. Incline la jarra ligeramente y vierta el café caliente lentamente, de modo que el flujo de café no exceda la anchura de la boquilla de la jarra.
18. La jarra está diseñada para ser usada con este aparato. Nunca se debe ser utilizada en la estufa.
19. No coloque la jarra sobre una superficie húmeda o fría o en un horno de microondas.
20. No utilice la jarra si está agrietada o tiene un asa floja o debilitada.
21. No limpie la jarra o el plato de calentamiento con limpiadores, esponjas de acero u otro material abrasivo.

## **GUARDE ESTAS INSTRUCCIONES SOLO PARA USO DOMÉSTICO**

# MEDIDAS DE SEGURIDAD IMPORTANTES ADICIONALES

**ADVERTENCIA:** Este aparato genera calor y vapor que se escapa durante su uso. Las debidas precauciones deben ser tomadas para evitar el riesgo de quemaduras, incendios, u otras lesiones a personas o daños a la propiedad.

1. Todos los usuarios de este aparato debe leer y comprender este Manual de Instrucciones antes de operar o limpiar el aparato.
2. El cable de este aparato debe ser conectado solamente a un tomacorriente de 120 V AC.
3. Utilice sólo agua en este aparato! No coloque ningún otro líquido o productos alimenticios en este aparato. No mezcle ni añada nada al agua vertida en este aparato, excepto como se indica en las instrucciones de mantenimiento para limpiar el aparato.
4. NO trate de mover un aparato que contenga líquidos calientes. Permita que se enfríe por completo antes de moverlo.
5. Mantenga el aparato por lo menos a 4 pulgadas de distancia de las paredes u otros objetos durante la operación. No coloque ningún objeto en la parte superior del aparato mientras está en funcionamiento. Coloque el aparato sobre una superficie que es resistente al calor.
6. Si este aparato no funciona bien durante su uso, pulse inmediatamente el botón de BREW y desconecte el cable. No use ni intente reparar el aparato que no funciona correctamente.
7. Si este aparato cae o accidentalmente se sumerge en agua o cualquier otro líquido, desconéctelo inmediatamente. No introduzca las manos en el agua! No utilice este aparato si ha caído o se ha sumergido en agua.
8. Dejar que el aparato se enfríe lo suficiente antes de agregar más agua para evitar la exposición al vapor de agua caliente.
9. Utilice siempre agua fresca y fría en su aparato. El agua caliente u otros líquidos, excepto como se indica en la sección de limpieza, puede causar daños en el aparato.
10. NO coloque la jarra en un horno de microondas.
11. NO deje la jarra vacía sobre la placa de calentamiento cuando el aparato está encendido, ya que la jarra se puede romper o sufrir otro tipo de daños.

**PRECAUCIÓN:** Para evitar lesiones al utilizar la función Pausa y Servir, vuelva a colocar la jarra dentro de los 30 segundos de ser removida durante la preparación de café.

## NOTAS SOBRE EL ENCHUFE

Este aparato tiene un enchufe polarizado (una pata es más ancha que la otra). Para reducir el riesgo de choque eléctrico, este enchufe encaja en una toma de corriente polarizada de una sola manera. Si el enchufe no encaja completamente en el tomacorriente, invierta el enchufe. Si aun así no encaja, póngase en contacto con un electricista calificado. No modifique el enchufe de ninguna manera.

## NOTAS SOBRE EL CABLE

El cable de alimentación incluido (o un cable de alimentación desmontable) debe ser utilizado para reducir el riesgo de enredarse o de tropezar con un cable más largo. No utilice un cable de extensión con este producto.

## ADVERTENCIA SOBRE PLÁSTICOS

**PRECAUCIÓN:** Para evitar que plásticos se adhieran al mostrador, mesa u otro mueble, coloque posavasos o manteles individuales no plásticos entre el aparato y la superficie del mostrador o mesa. Si no lo hace puede provocar que el acabado se oscurezca; manchas permanentes pueden aparecer.

## ENERGÍA ELÉCTRICA

Si el circuito eléctrico está sobrecargado con otros aparatos, el aparato podría no funcionar correctamente. Debe operarse en un circuito eléctrico separado de otros aparatos.

## MEDIDAS DE SEGURIDAD DE LA JARRA

1. No utilice una jarra agrietada o con asa floja.
2. Esta jarra está diseñada para ser utilizada sólo en la placa de calentamiento de esta cafetera. No debe usarse en un horno convencional.
3. Para evitar roturas, manejar la jarra con cuidado. Evitar impactos. El vidrio se romperá como consecuencia del impacto. Tenga cuidado al llenar con agua del grifo evitando golpes.
4. No coloque la jarra caliente sobre una superficie fría o húmeda. Deje que se enfríe antes de lavarse o al agregar líquidos.
5. No coloque la jarra vacía sobre una superficie de calentamiento caliente. No limpie con estropajos de acero, limpiadores abrasivos o cualquier otro material que pueda rayar.
6. No golpee, raye, o hierva en seco.
7. Deseche la jarra si está agrietada, rayada o calentada vacía durante un período prolongado de tiempo.

## RENDIMIENTO DE CAFÉ

Cafetera de 12 Tazas: 12 Tazas (5 onzas)

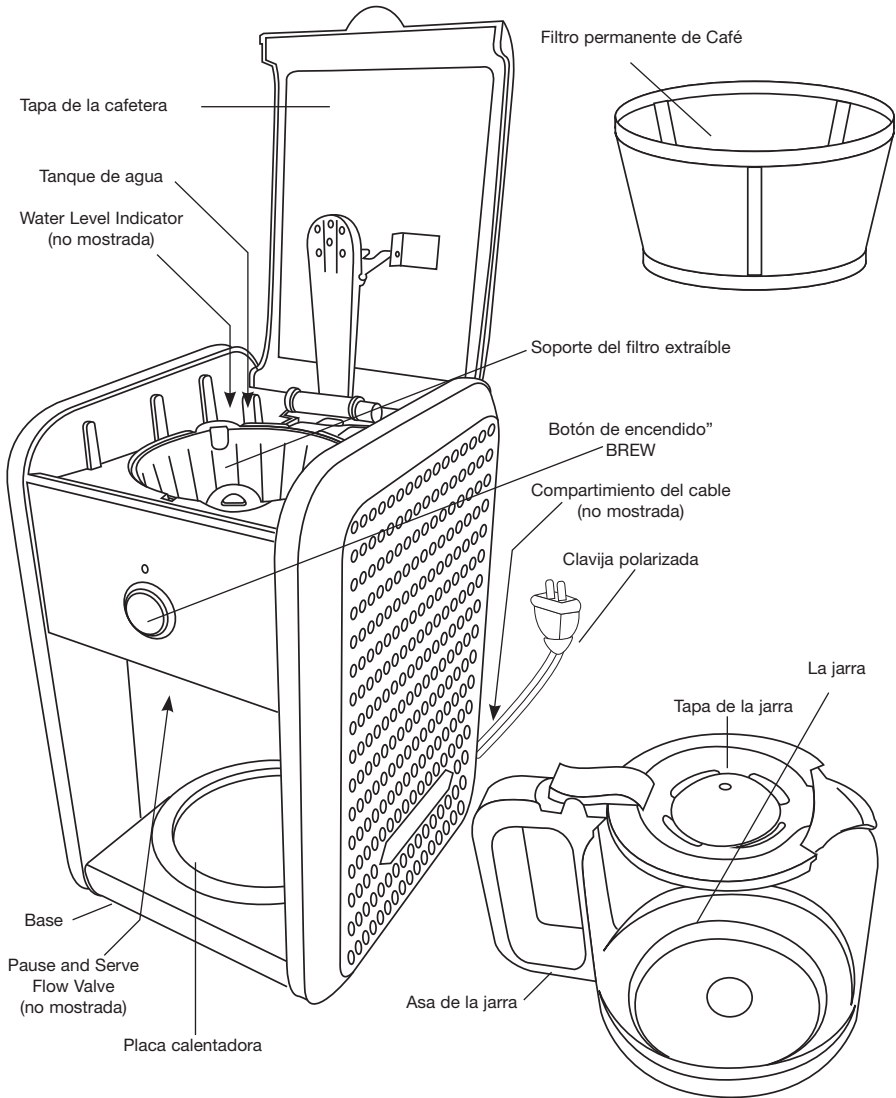
**NOTA:** La taza de 5 oz copa es el estándar de la industria estadounidense y es utilizado por la mayoría de los fabricantes de cafeteras. Para llenar su taza de gran tamaño favorita, llene el tanque con agua suficiente para 3 a 4 tazas (de 15 a 20 onzas).

**ADVERTENCIA:** PARA REDUCIR EL RIESGO DE FUEGO O DESCARGA ELÉCTRICA, NO QUITAR LA TAPA INFERIOR. NO HAY PARTES EN EL INTERIOR MANTENIDAS POR EL USUARIO. LA REPARACIÓN DEBE SER REALIZADA POR PERSONAL DE SERVICIO AUTORIZADO SOLAMENTE.

## FILTRO PERMANENTE DE CAFÉ

1. El filtro permanente de café incluido, elimina la necesidad de filtros de papel desechables.
2. Utilice la manija del filtro permanente de café para extraerlo del soporte del filtro extraíble; deseche los granos de café utilizados, enjuague y vuelva a colocar.

# INTRODUCCIÓN A LA CAFETERA DE 12 TAZAS



## ANTES DE UTILIZAR POR PRIMERA VEZ

**PRECAUCIÓN:** Para protegerse contra descargas eléctricas, no sumerja la cafetera, o permita que el cable de alimentación entre en contacto con agua u otros líquidos.

1. Retire todo el material de embalaje y las etiquetas del interior y exterior de la cafetera. Coloque la unidad sobre una superficie plana y limpia.
2. Antes de preparar el café, limpie la jarra de vidrio y tapa, soporte del filtro extraíble y filtro permanente de café en agua caliente y jabonosa. Enjuague y seque. Ensamble las piezas desmontadas. Ver las instrucciones de cuidado y limpieza para instrucciones detalladas.
3. Limpie el interior de la cafetera colando 2 jarras llenas de agua (ver instrucciones de preparación de café). No coloque el filtro permanente de café o el café molido en esta limpieza inicial.

**NOTA:** Al finalizar el primer ciclo, espere 15 minutos hasta que la unidad se enfríe.

4. Cole una segunda jarra con agua fresca.
5. Espere otros 15 minutos para permitir que la unidad se enfríe antes de colar su primera jarra de café.

## INSTRUCCIONES DE PREPARACIÓN DE CAFÉ

1. Levante la tapa de la cafetera. Llene la jarra con agua fría y viértala en el depósito de agua en la parte posterior de la unidad. El indicador de nivel de agua escalonada puede verse fácilmente dentro de la unidad.

**IMPORTANTE:** Antes de colar café, siempre verifique que el nivel del agua esté encima de la línea de MIN y agregue agua si es necesario. Nunca exceda la línea de llenado MAX.

**NOTA:** La cantidad de café preparado será siempre menor que la cantidad de agua vertida en el depósito de agua; tanto como 10% es absorbida por los granos de café y el filtro.

2. Coloque la jarra vacía en la placa de calentamiento.
3. Coloque el filtro permanente en el soporte del filtro extraíble. Mida 1 cucharada rasa de café regular o café molido por cada taza de café deseada. Para café más fuerte o más suave, ajuste la cantidad de café a su gusto.
4. Coloque el soporte del filtro dentro de la cafetera. Cierre la tapa.
5. Conecte la cafetera en una toma de corriente 120 V AC.
6. Pulse el botón de BREW. La cafetera iniciará el ciclo de preparación.

**NOTA:** Para interrumpir el proceso de elaboración en cualquier momento, presione el botón de BREW, a continuación, retire el enchufe del tomacorriente.

7. Uso de la función pausa y servir: Si usted desea servir una taza de café antes de que el ciclo de preparación sea completado, simplemente retire la jarra de cafetera. El goteo se detendrá automáticamente. Al colocar nuevamente la jarra en la cafetera, el goteo se reanudará.

**PRECAUCIÓN:** Para evitar lesiones cuando utiliza la función Pausa y Servir, vuelva a colocar la jarra 30 segundos después de removerla durante el proceso de preparación

8. Una vez finalizado el ciclo de preparación, espere por lo menos 1 minuto hasta que el café pare de gotear. La tapa de la jarra debe mantenerse en su lugar para facilitar servir seguramente y ayudar a mantener el café a la temperatura adecuada. Incline la jarra ligeramente y vierta el café caliente lentamente, de modo que el flujo del café no exceda la anchura de la boquilla.
9. Pulse el botón de BREW para apagar la cafetera cuando la jarra está vacía o cuando la unidad no está en uso, a continuación, retire el enchufe del tomacorriente.

## FUNCIÓN PAUSA Y SERVIR

1. Después de preparar aproximadamente 2 tazas de café, la jarra puede ser retirada lentamente y el café dejará de gotear.
2. La válvula de flujo se encuentra en la parte inferior del soporte del filtro y se activa cuando la jarra se retira. Este diseño hace posible retirar la jarra y verter una taza de café antes de finalizar el ciclo completo de preparación.  
**IMPORTANTE:** Al remover el soporte del filtro, la válvula de flujo debe ser insertada correctamente en el orificio frontal de la máquina.
3. Al usar esta función, asegúrese de que la jarra sea recolocada en la cafetera dentro de los 30 segundos de ser removida para evitar derramamiento

## PREPARAR UNA SEGUNDA JARRA DE CAFÉ

1. Para preparar otra jarra de café, presione el botón de BREW para apagar la cafetera. Retire el enchufe del tomacorriente. Se recomienda que la cafetera este apagada y se deje enfriar durante 15 minutos entre ciclos.  
**PRECAUCIÓN:** Si no permite que la cafetera se enfríe lo suficiente, podría rociar vapor caliente cuando se añada agua en el depósito. El vapor caliente puede causar quemaduras graves.
2. Levante la tapa de la cafetera. Despliegue el asa, levante y retire el filtro permanente de café, deseche los granos de café utilizados, enjuague con agua limpia y fría.
3. Levante y remueva de la cafetera el soporte del filtro extraíble.
4. Enjuague la jarra de vidrio y el soporte del filtro extraíble con agua fría y limpia.  
**IMPORTANTE:** Antes de preparar la segunda jarra, siempre verifique que el nivel de agua esté encima de la línea de MIN, añada la cantidad deseada de agua fría en el depósito de agua.
5. Coloque la jarra vacía en la cafetera.
6. Coloque el filtro permanente en el soporte del filtro extraíble. Mida 1 cucharada rasa de café regular o café molido por cada taza de café deseada.
7. Coloque el soporte del filtro dentro de la cafetera. Cierre la tapa.
8. Conecte la cafetera en una toma de corriente de 120 V AC.
9. Pulse el botón de BREW. La preparación del café comenzará.

## CONSEJOS PARA UN CAFÉ DE GRAN SABOR

- Una cafetera limpia es esencial para preparar café con gran sabor. La limpieza regular, como se describe en las instrucciones de conservación y limpieza y descalcificación de este manual de instrucciones es altamente recomendable.
- Utilice siempre agua fresca y fría en la cafetera.
- Moliendas más finas, como la de goteo, promueve una extracción completa y provee café más rico y con más cuerpo. La molienda regular requerirá un poco más de café por cada taza para proporcionar la fuerza de una molienda más fina.
- Guarde el café en un lugar fresco y seco. Una vez que el café ha sido abierto, guárdelo herméticamente cerrado en el refrigerador para mantener la frescura.
- Para un óptimo sabor de café, comprar granos enteros y se molerlos finamente justo antes de la preparación.
- No reutilice los granos de café pues deterioraran enormemente el sabor del café.
- Recalentar el café no es recomendable. El café es en su máximo sabor inmediatamente después de prepararlo.
- Las pequeñas gotas de aceite en la superficie del café negro preparado, se deben a la extracción de aceites de los granos del café. Exceso de aceites puede ocurrir con más frecuencia si los granos de café están fuertemente tostados. Sobre extracción también puede causar exceso de aceites, lo que indica la necesidad de limpiar su cafetera.

## INSTRUCCIONES DE MANTENIMIENTO

Este aparato requiere poco mantenimiento. No contiene piezas que el usuario pueda reparar. Cualquier servicio que requiera el desmontaje que no sea la limpieza debe ser realizada por un técnico calificado.

## INSTRUCCIONES DE CUIDADO Y LIMPIEZA

1. Siempre asegúrese que la cafetera está desenchufada y que la placa de calentamiento esté fría antes de limpiarla.
2. Después de cada uso, retire el filtro permanente de café, deseche los granos de café utilizados, enjuague a fondo.
3. Lave el soporte del filtro extraíble y la jarra de vidrio con agua caliente y jabonosa. Si es necesario, frote el interior de la tapa de la jarra con un cepillo de cocina enjabonado.  
ADVERTENCIA: Para evitar roturas, manipule la jarra con cuidado. Evite el impacto. El vidrio se romperá como consecuencia del impacto. Tenga cuidado al llenar con agua del grifo para evitar golpes.
4. Limpie el exterior con un paño húmedo para quitar las manchas superficiales. Para las manchas persistentes, utilice una esponja de nylon o plástico con un limpiador no abrasivo. No utilice estropajos metálicos ni limpiadores abrasivos.
5. Seque y vuelva a colocar las piezas desarmadas. Asegúrese de que el soporte del filtro extraíble está colocado correctamente en la cafetera
6. Cierre la tapa.

## DESCALCIFICACIÓN

Se recomienda hacer una limpieza especial de su cafetera al menos una vez al mes, dependiendo de la frecuencia de uso y calidad del agua utilizada en la unidad. Si el agua en su área es especialmente pesada, el siguiente procedimiento de limpieza se debe realizar cada 2 semanas, ya que los minerales en el agua pueden deteriorar el sabor del café y posiblemente prolongar el tiempo de preparación.

1. Llene la jarra con 1 parte de vinagre blanco y 3 partes de agua fría. Vierta la solución de vinagre en el depósito de agua.
2. Cole la solución de vinagre hasta que la jarra está medio llena.  
NOTA: Durante la limpieza, más vapor puede ser producido que durante la preparación normal de café.
3. Pulse el botón de BREW para apagar la cafetera. Cuando el líquido deje de gotear del soporte del filtro en la jarra, retire la jarra y deje que el líquido se enfríe por 15 minutos. Cuando se haya enfriado, levante la tapa y vierta el líquido en el depósito de agua.
4. Cierre la tapa. Coloque la jarra en la cafetera.
5. Cole la solución de vinagre una vez más, permitiendo que toda la solución de limpieza se vierta dentro de la jarra. Una vez que el goteo se detenga, deseche el contenido de la jarra.
6. Deje que la cafetera se enfríe durante 15 minutos, enjuague preparando una jarra llena de agua fría. Inserte el filtro permanente café limpio en el soporte del filtro extraíble antes de prepararlo.
7. Al final del ciclo de preparación, presione el botón de BREW para apagar la cafetera. Deseche el agua en la jarra. Lave la jarra, el filtro permanente de café, y el soporte del filtro extraíble con agua jabonosa caliente. Seque las piezas completamente.
8. Cuando la cafetera se ha enfriado, limpie la superficie exterior con un paño seco.

## INSTRUCCIONES DE ALMACENAMIENTO

1. Desenchufe la unidad y deje que se enfríe.
2. Guarde la cafetera en su caja o en un lugar fresco y seco.
3. No guarde nunca la unidad mientras está enchufada.



## Garantía limitada de DOS AÑOS

Mediante la presente, SENSIO Inc. garantiza que, durante el plazo de **DOS AÑOS** a partir de la fecha de compra, este producto no presentará defectos mecánicos en el material ni en la mano de obra, y durante 90 días, no los presentará en las piezas no mecánicas. A su entera discreción, SENSIO Inc. reparará o reemplazará el producto que resulte defectuoso, o emitirá un reembolso por el producto durante el plazo de garantía.

Esta garantía es válida únicamente para el comprador minorista original a partir de la fecha de compra minorista inicial y no es transferible. Conserve el recibo de compra original, ya que se exige una prueba de compra para obtener la validación de la garantía. Las tiendas minoristas no tienen derecho a alterar, modificar ni corregir de ninguna manera los términos y condiciones de la garantía.

### EXCLUSIONES:

La garantía no cubre el desgaste normal de las piezas ni el daño ocasionado por cualquiera de las siguientes causas: uso negligente del producto, uso de un voltaje o corriente incorrectos, mantenimiento de rutina inadecuado, uso contrario al de las instrucciones de funcionamiento, desarmado, reparación o alteración a cargo de personas que no sean miembros del personal calificado de SENSIO Inc. Asimismo, la garantía no cubre actos de la naturaleza, como incendios, inundaciones, huracanes o tornados.

SENSIO Inc. no asumirá responsabilidad por daños incidentales o resultantes ocasionados por la violación de cualquier garantía expresa o implícita. Salvo en la medida en que lo prohíban las leyes aplicables, cualquier garantía implícita de comerciabilidad o aptitud para un propósito particular se limita temporalmente a la duración de la garantía. Algunos estados, provincias o jurisdicciones no permiten la exclusión ni la limitación de daños incidentales o resultantes, o limitaciones sobre la duración de una garantía implícita y, por lo tanto, es posible que las exclusiones o limitaciones mencionadas no le correspondan. La garantía cubre derechos legales específicos que pueden variar de un estado, una provincia o una jurisdicción a otros.

### CÓMO OBTENER EL SERVICIO DE GARANTÍA:

Debe comunicarse con el Servicio de atención al cliente a nuestro número telefónico gratuito: 1-866-832-4843. Un representante del Servicio de atención al cliente intentará resolver los problemas referidos a la garantía por teléfono. Si este no puede resolver el problema, le proporcionarán un número de caso y le solicitarán que devuelva el producto a SENSIO Inc. Adhiera una etiqueta al producto que incluya: su nombre, dirección, número telefónico de contacto durante el día, número de caso y descripción del problema. Además, incluya una copia del recibo de compra original. Envuelva cuidadosamente el producto etiquetado con el recibo de compra, y envíelo (con el envío y el seguro prepagados) a la dirección de SENSIO Inc. SENSIO Inc. no asumirá obligación ni responsabilidad alguna por el producto devuelto que esté en el trayecto hacia el Centro de servicio al cliente de SENSIO Inc.