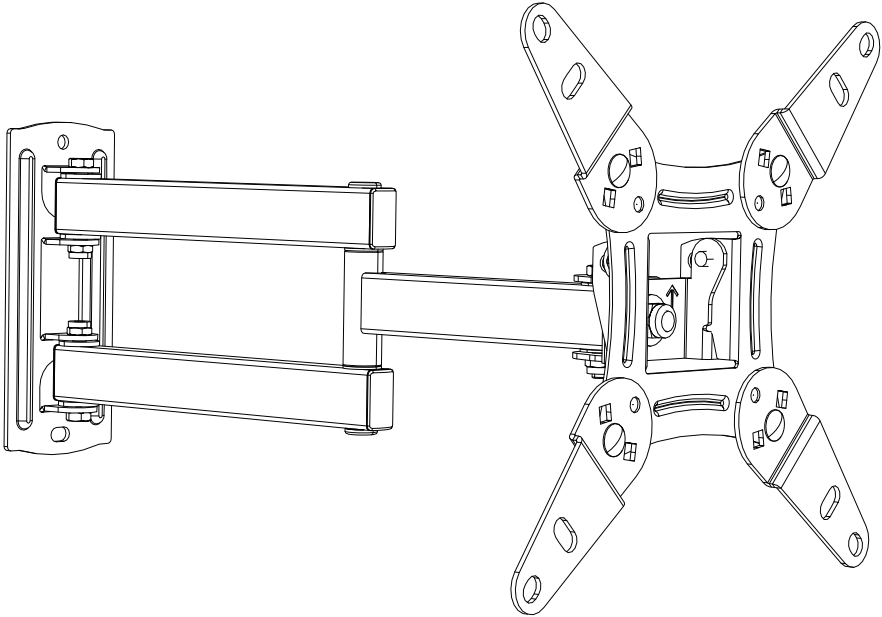


Installation Instruction

V1.0



PISF1

Thank you for choosing our product! We strive to provide the best quality and services for our customers. Would you kindly share your experience on Amazon if you are satisfied? Should you have any issues, please don't hesitate to contact us.

Telephone: 800-556-9829 Mon-Fri 10am - 6pm (PST) (USA) (CAN)

Email: supportus@pipishell.net (US/CA/DE/UK/FR/IT/ES/JP/AU)

WARNING

WARNING! SEVERE PERSONAL INJURY AND PROPERTY DAMAGE CAN RESULT FROM IMPROPER INSTALLATION OR ASSEMBLY. READ FOLLOWING WARNINGS BEFORE BEGINNING.

- If you do not understand the instructions or have any concerns or questions, please contact a qualified installer.
- Do not install or assemble if the product or hardware is damaged or missing. Not all parts and hardware included must be used. If you require replacement parts, contact customer service at supportus@pipishell.net
- This product may contain moving parts. Use with caution.
- DO NOT install into drywall alone.

Tools Needed (Not Included)



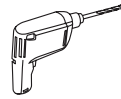
Stud Finder



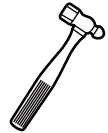
Tape measure



Pencil



Drill



Hammer



1/8 in.(3 mm)
Wood Drill



25/64 in.(10mm)
Concrete Drill

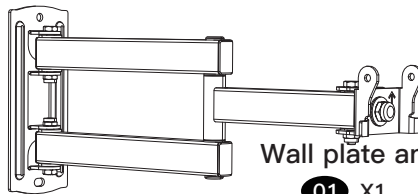


25/64 in.(10 mm)
Socket Wrench



Screw Driver

Supplied Parts



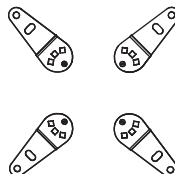
Wall plate and Arm

01 X1



TV Bracket

02 X1









Extender Brackets

03 X4

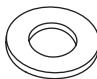
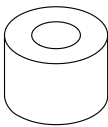
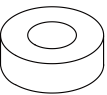





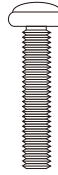
Supplied Hardwar

Hardware for Attaching Wall Plate to Wall

<p>Lag Bolts M6X60</p>  <p>x2 A1</p>	<p>Washers Ø6mm</p>  <p>x2 A2</p>	<p>Carriage Bolts M6 x 12</p>  <p>x4 G</p>	<p>Nuts M6</p>  <p>x4 H</p>
--	---	--	---

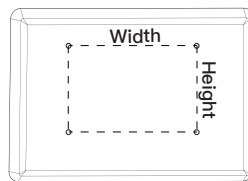
<p>Wall Anchor x2 A3</p> 	<p> CAUTION!</p> <p>These anchors are for concrete or brick walls ONLY. DO NOT use them in drywall or wood studs.</p>
---	---

Hardware for Attaching TV Bracket to TV

<p>Washers Ø6mm M4-5-6</p>  <p>x4 B1</p>	<p>Spacers L10mm</p>  <p>x4 B2</p>	<p>Spacers L5mm</p>  <p>x4 C</p>	<p>Philips Screws M4 x 15mm M4 x 30mm</p>   <p>x4 x4 D1 D2</p>	<p>Philips Screws M6 x 15mm M6 x 30mm</p>   <p>x4 x4 E1 E2</p>	<p>Philips Screws M8 x 15mm M8 x 30mm</p>   <p>x4 x4 F1 F2</p>
---	--	--	---	---	--

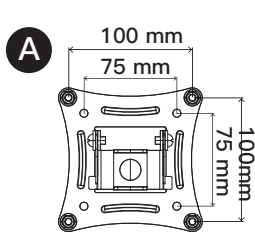
Step 1 Measure VESA

Measure the distance between the holes located at the back of your TV (these measures may form the shape of a square, or a rectangle) and check that these taken measures are within the VESA (*) range for this wall mount. (*) VESA: International standard established by the TV manufacturers used to determine if LCD/LED TVs are compatible with wall mounts.

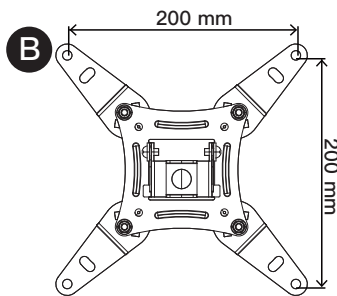


Step 2-1 Choose the Combination that Applies to your VESA

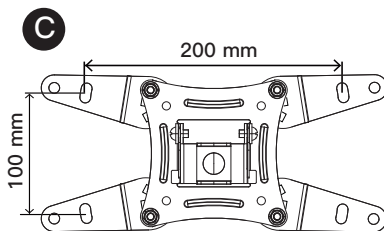
Determine which TV bracket option A, B, or C, to use based on your TV hole pattern measurements from STEP 2.



for VESA hole pattern:
75 mm X 75 mm
100mm X 100mm



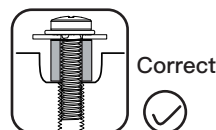
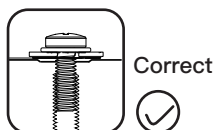
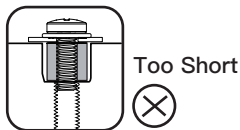
for VESA hole pattern:
200 mm X 200 mm



for VESA hole pattern:
200 mm X 100 mm

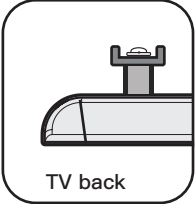
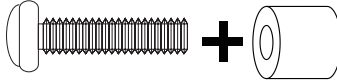
Step 2-2 Select TV Hardware

- 1 Bolt diameter:** hand thread bolts into threaded inserts on the back of TV to determine the correct bolt diameter(M4, M6, M8)
- 2 Bolt length:** verify adequate thread engagement with bolts or bolts/spacers combination.
We recommend thread engagement by at least 5 turns.
 - Too short will not hold the TV.
 - Too long will damage the TV.

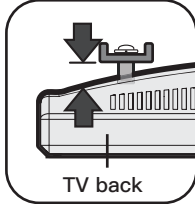


Step 2-2 Select TV hardware

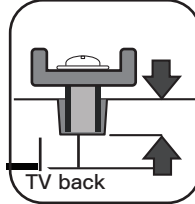
- 3** Bolt and spacer combination: spacers sometimes are needed to combine with bolts for several situations as below:



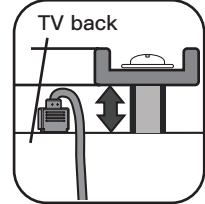
Add distance to wall



Irregular back



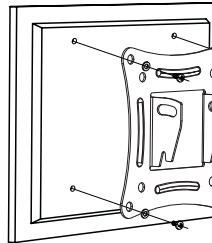
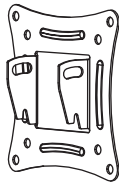
Insert



Cables

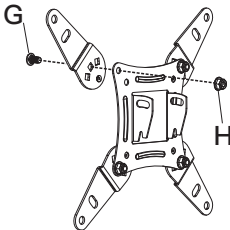
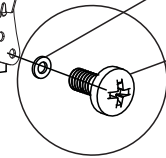
Step 2-3 Attach the TV Bracket

for VESA hole pattern:
75 mm X 75 mm
100mm X 100mm



B1

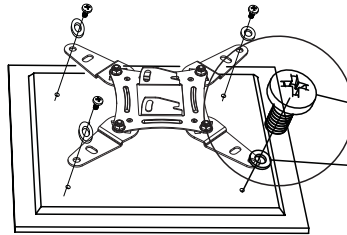
D1/E1/F1



for VESA hole pattern:
200 mm X 200 mm

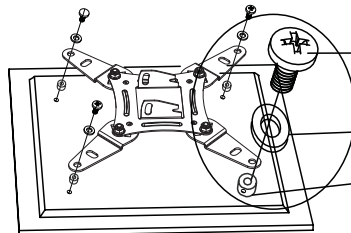
or

for VESA hole pattern:
200 mm X 100 mm



D1/E1/F1

B1



D2/E2/F2

B1

B2/C

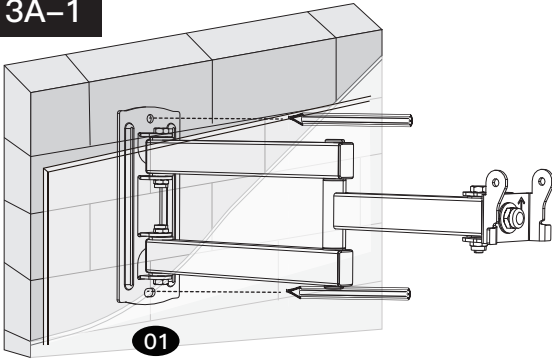
Step 3A Wall Plate Install (Concrete Wall)

⚠ CAUTION :

Ensure the wall plate is securely fastened to the wall before continuing on to the next step. These anchors are for concrete or brick walls ONLY. DO NOT use them in drywall or wood studs.

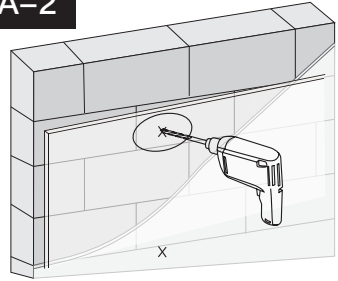


3A-1



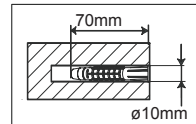
Position the wall plate at your desired height, level the wall plate and mark the pilot hole locations.

3A-2

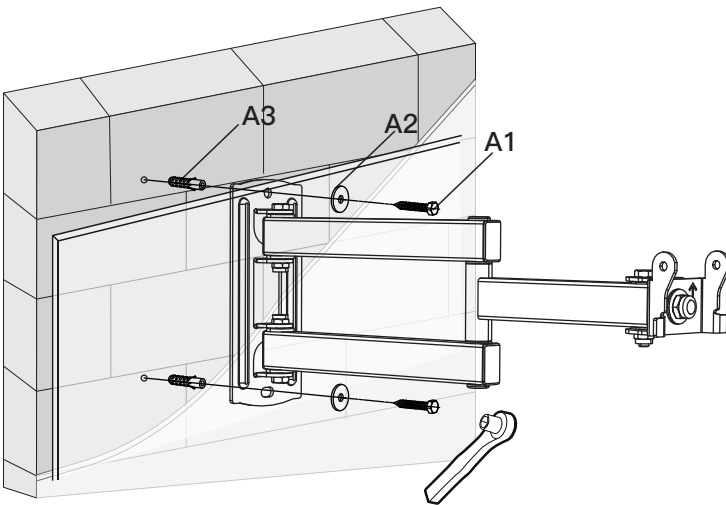


Drill 2 pilot holes using a 25/64 in.(10 mm) diameter drill bit. Make sure the depth is not less than 2.75in. (70mm)

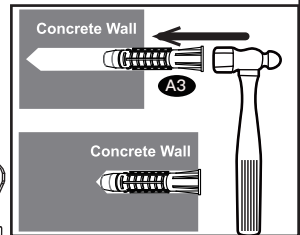
Drill pilot holes



3A-1



Install wall plate using lag bolts A1, washers A2 and anchors A3. Tighten the lag bolts until they are pulled firmly against the wall plate.



25/64 in.(10 mm)
Socket Wrench

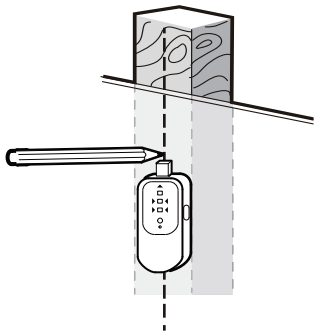
Step 3B Wall Plate Install (Wood stud)

⚠ CAUTION :

Ensure the wall plate is securely fastened to the wall before continuing on to the next step. These anchors are for concrete or brick walls ONLY. DO NOT use them in drywall or wood studs.

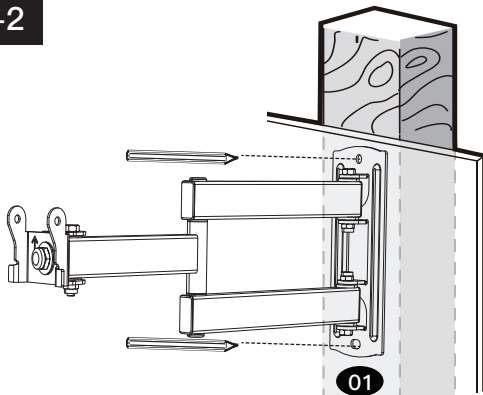


3B-1



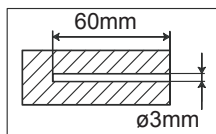
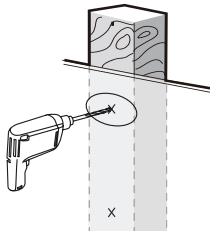
Use a stud finder(not included)to locate wood studs. Mark the edge and center locations.

3B-2



Position the wall plate at your desired height and lineup the holes with your stud center line. Level the wall plate and mark the holes.

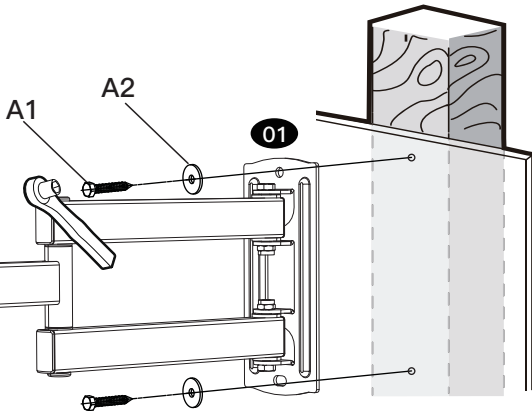
3B-3



Drill 2 pilot holes using a 1/8 in.(3 mm) diameter drill bit. Make sure the depth is not less than 2.36in. (60mm)

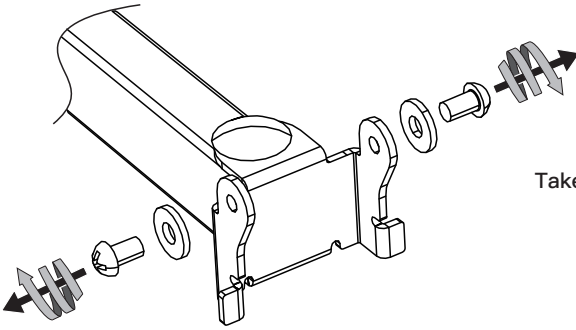
3B-4

Install the wall plate 01 using lag bolts A1 and washer A2. Tighten the lag bolts A1 until they are pulled firmly against the wall plate 01.

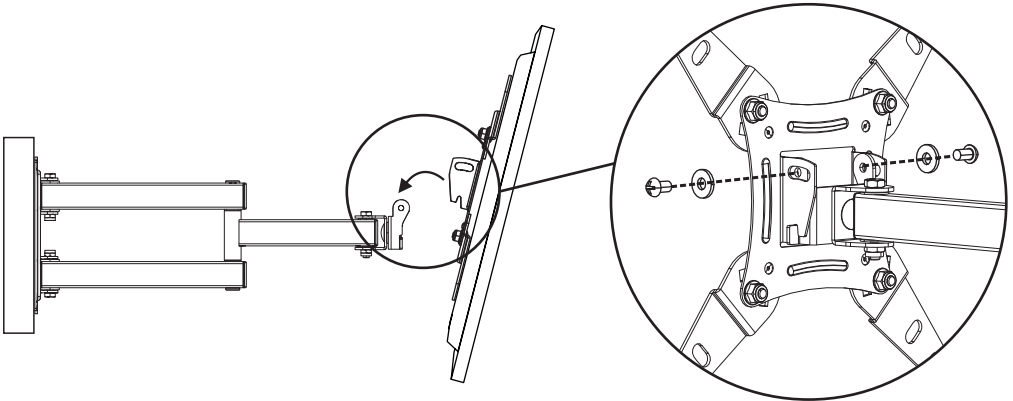


25/64 in.(10 mm)
Socket Wrench

Step 4 Hang the TV onto the wall plate



Take this apart.



Mounting your TV to the brackets and lock it.

If needed, the TV can be tilted $+5^{\circ}/-15^{\circ}$ and rotate 360° from left to right.

