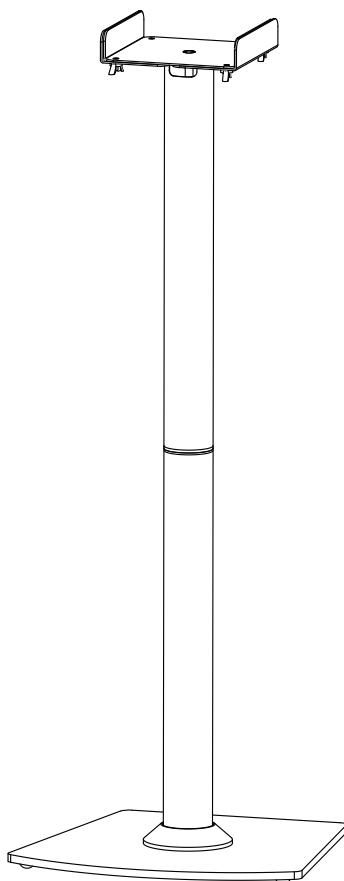




PERLESMITH

SPEAKER FLOOR STAND

V2.0



PSSS5



Thank you for choosing our product! We strive to provide the best quality and services for our customers. Would you kindly share your experience on Amazon if you are satisfied? Should you have any issues, please don't hesitate to contact us.
Telephone: 1-800-5566-806 Mon-Fri 10am - 6pm (PST) (USA) (CAN)
Email: supportus@perlesmith.com (US/CA/DE/UK/FR/IT/ES/AU)

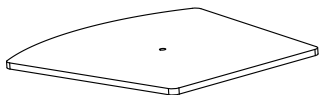
Important Safety Instructions

- Check package contents against Supplied Parts and Hardware List to assure that all components were received undamaged. Do not use damaged or defective parts. If you require replacement parts, contact customer service at supportus@perlesmith.com.
- Not all parts and hardware included will be used.
- Carefully read all instructions before attempting installation. If you do not understand the instructions or have any concerns or questions, please contact customer service at supportus@perlesmith.com
- This product may contain moving parts. Use with caution.
- Do not use this product for any purpose or in any configuration not explicitly specified in this instruction. We hereby disclaims any liability for injury or damage arising from incorrect assembly or incorrect use of this product.
- Please check www.perlesmith.com for more products and company information.

TOOLS NEEDED (NOT INCLUDED)

- Phillips Screwdriver 

SUPPLIED PARTS



01 Base X 2



02 Lower Post X 2



03 Upper Post X 2



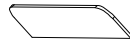
04 Rod X 2



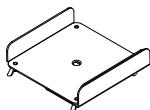
05 Decorative Cover X 2



06 Connector X 2



07 Sponge X 4



08 Speaker Bracket X 2



09 Speaker Bracket X 2



10 Speaker Bracket X 2



11 Speaker Bracket X 2



12 EVA Pad X 2

HARDWARE KIT

Screw M6*16mm



X 2

A

Plastic Washer



X 2

B

Inner Hexagon
Screw M6*25mm



X 2

C

Rubber Pad



X 8







D

Screw
M4x12mm

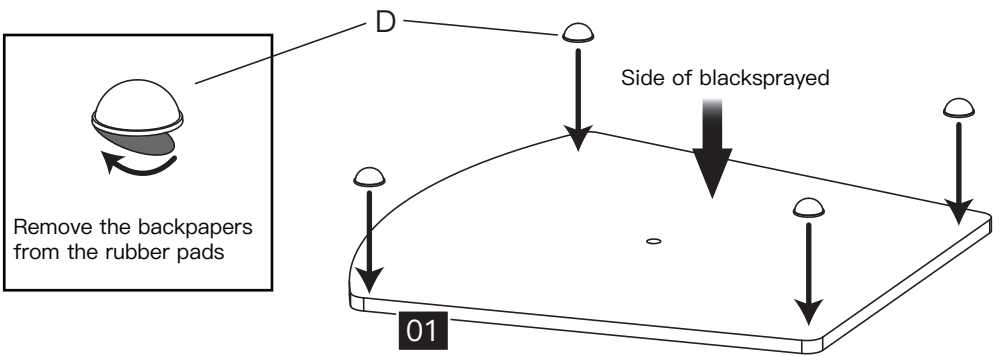


X 2

E

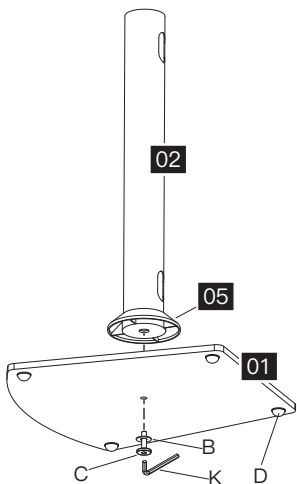
Screw M5x12mm	Washer φ6.5*16mm	Screw M6x12mm	Screw 1/4-20x1/2"	Washer φ 5*15mm	Allen Key M4
					
x2	x2	x2	x2	x2	x1
F	G	M	H	J	K

STEP 1 Attach the Rubber Pads to the Bases

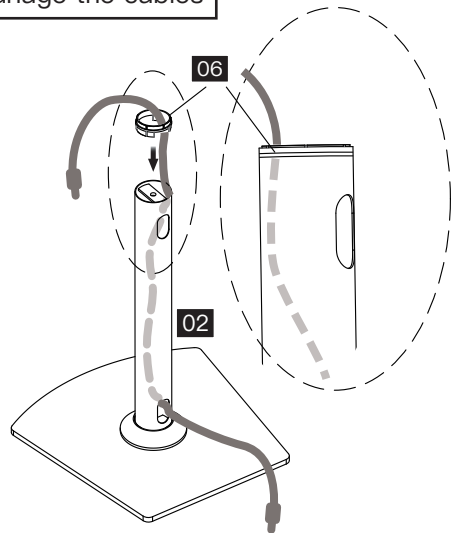


STEP 2 Secure the Lower Posts to the Bases and Manage the Cables

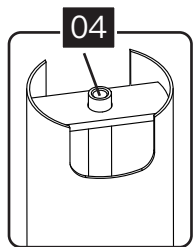
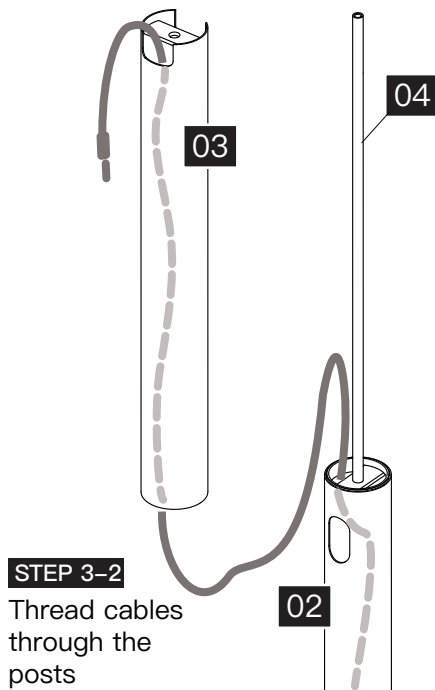
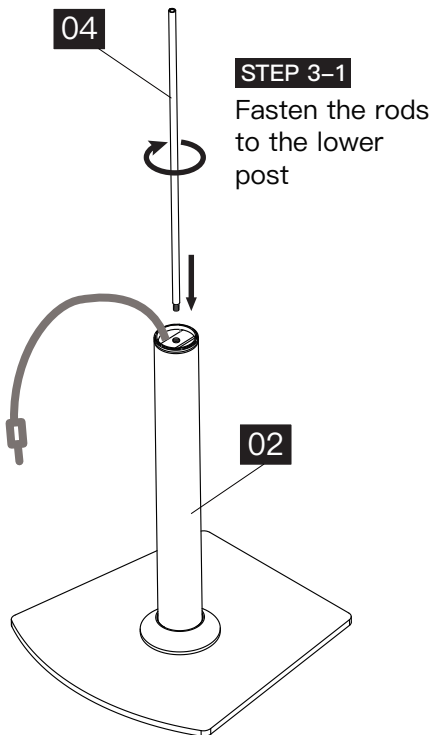
Secure the lower posts to the bases



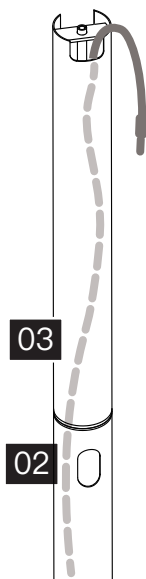
Manage the cables



STEP 3 Connect the Upper Posts to the Lower Posts

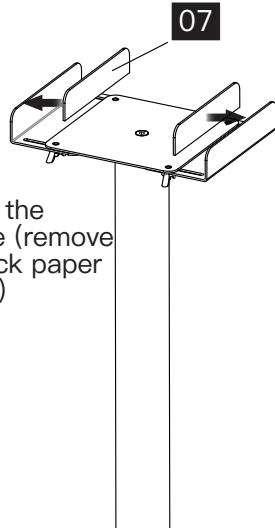
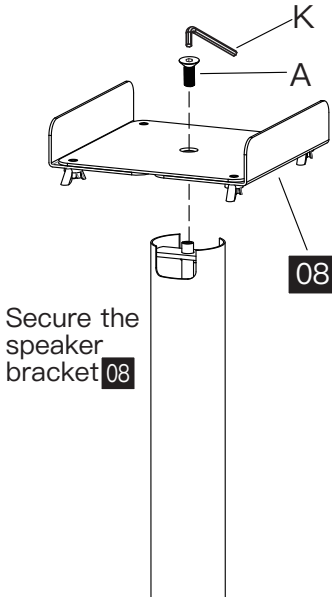


STEP 3-3
Connect the upper posts to the lower posts

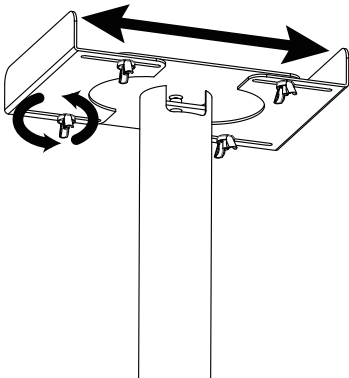


STEP 4 Secure Speaker to the Upper Posts

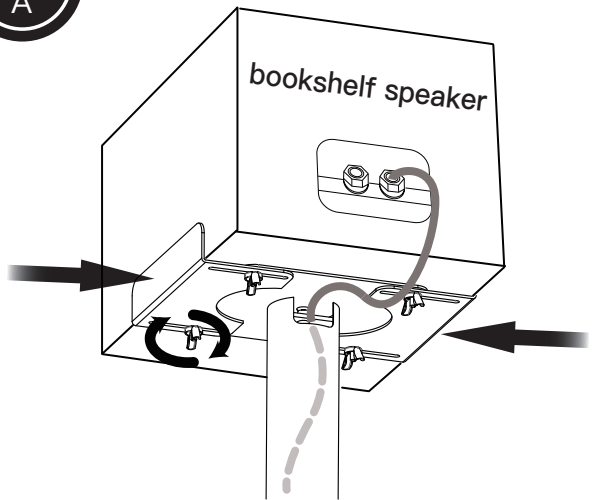
Speaker option A: Bookshelf Speakers



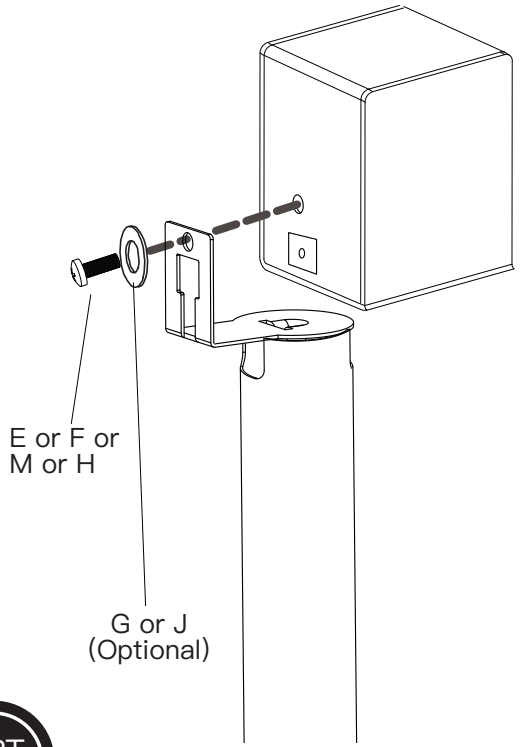
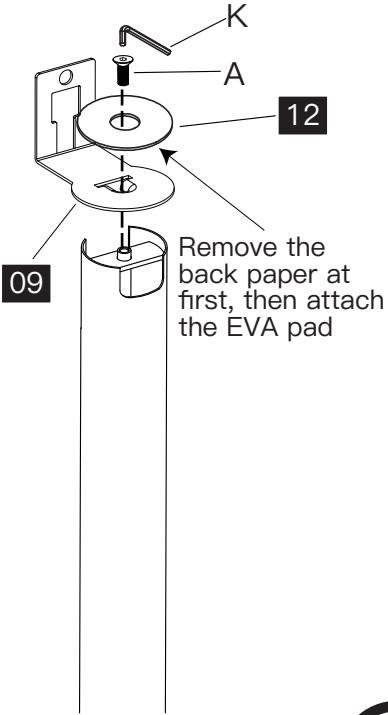
OPT A



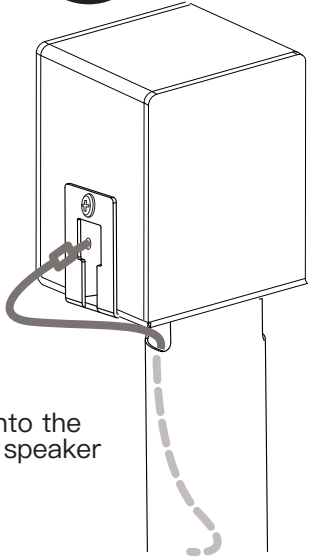
Loosen the nuts and slide to adjust the plates to fit the speaker.



Speaker option B: Sonos play 1 Speaker



OPT B

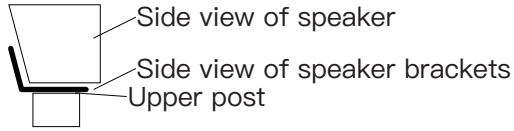


Insert the cable into the cable hole of the speaker

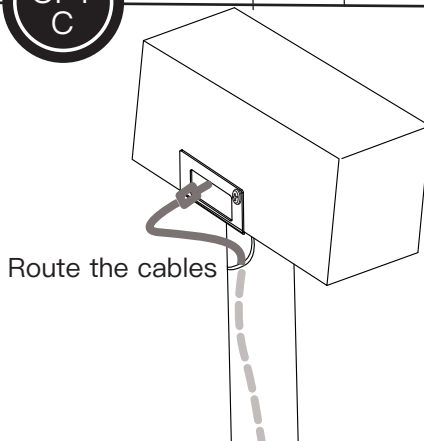
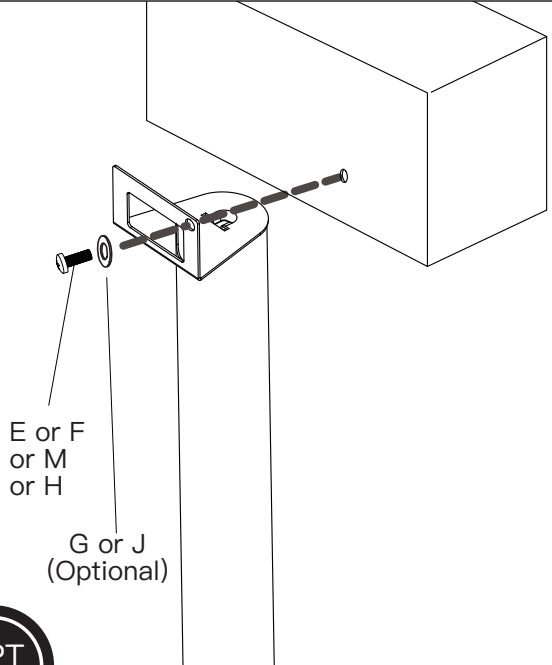
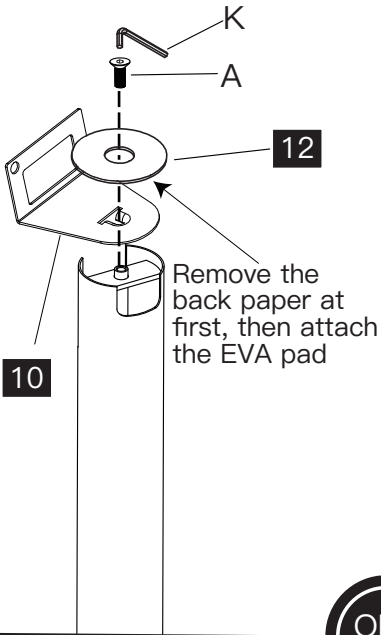
Speaker option C: PLAY: 3 (HORIZONTAL) Speakers



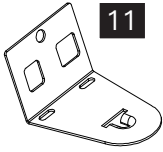
Attention! Ensure the degree of the speaker brackets **10** fit the degree of speakers.



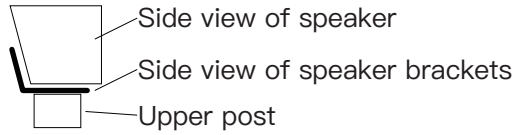
Select the proper speaker brackets according to your speaker



Speaker option D: PLAY:3 (VERTICAL) Speakers



Attention! Ensure the degree of the speaker brackets **11** fit the degree of speakers.



Select the proper speaker brackets according to your speaker

